



# GBH 187-LI Professional

Robert Bosch Power Tools GmbH  
70538 Stuttgart  
GERMANY

[www.bosch-pt.com](http://www.bosch-pt.com)

1 609 92A 7HR (2022.04) PS / 106



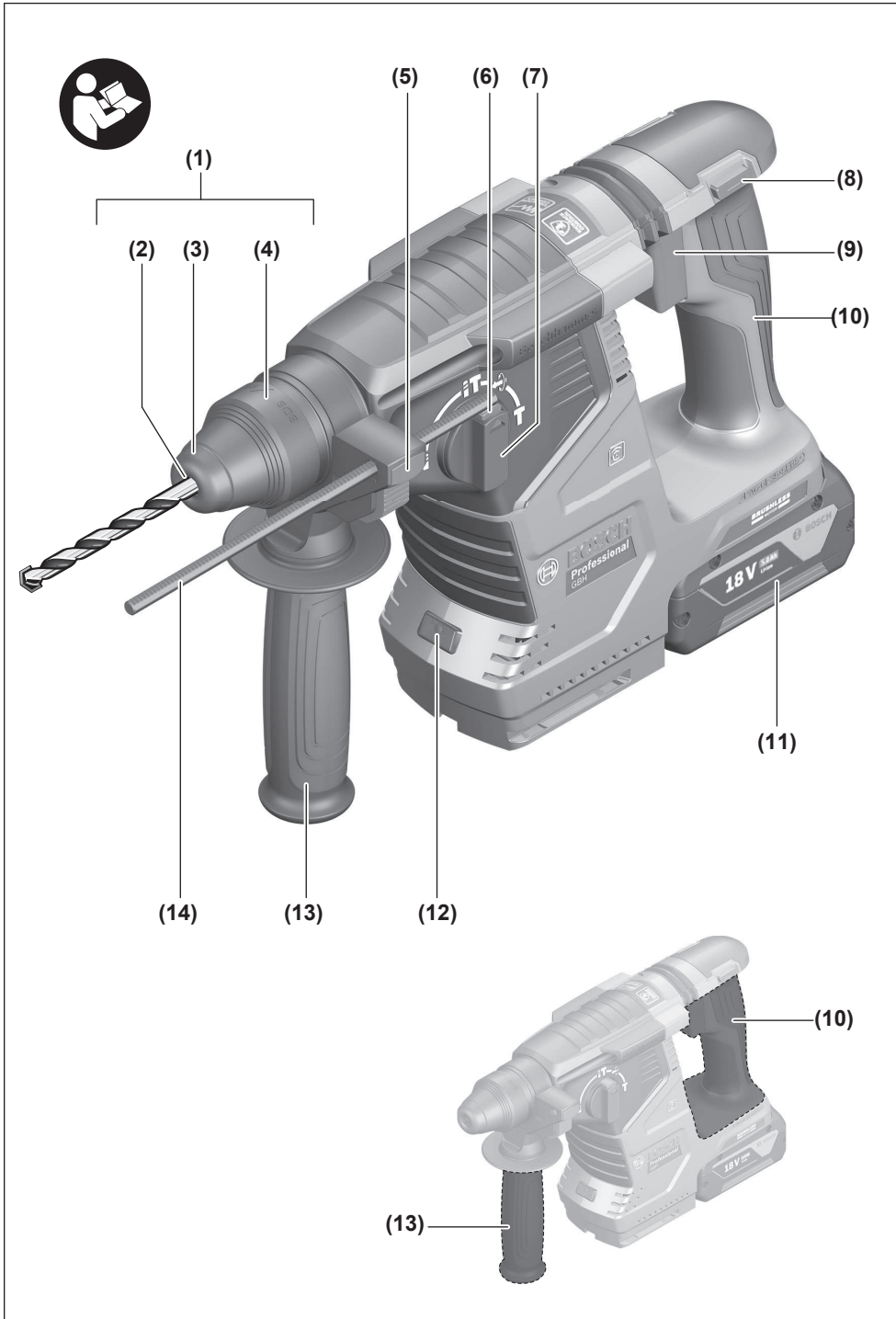
1 609 92A 7HR

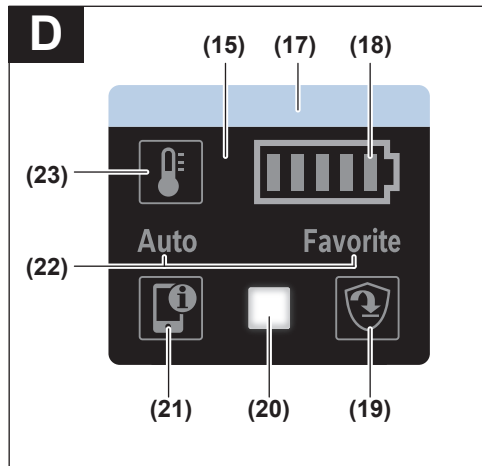
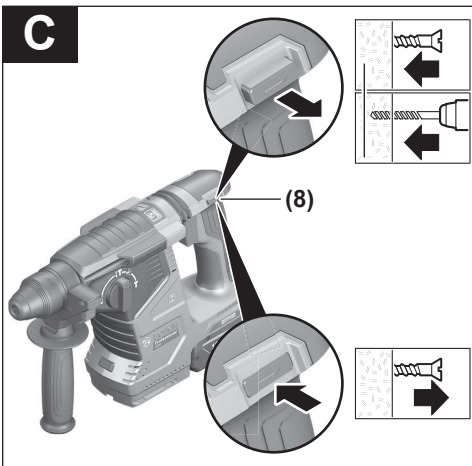
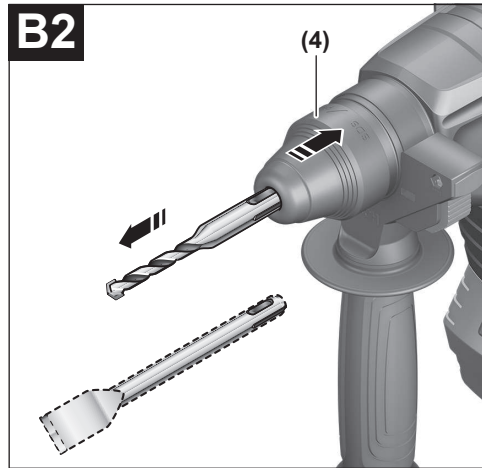
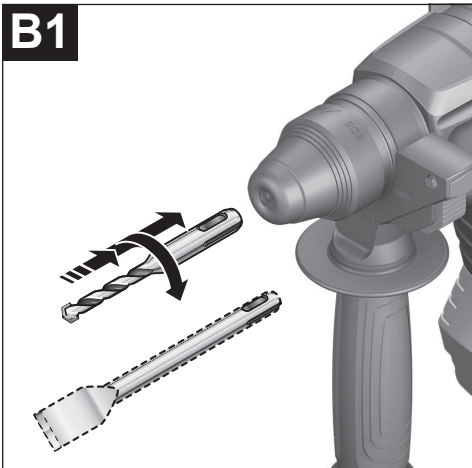
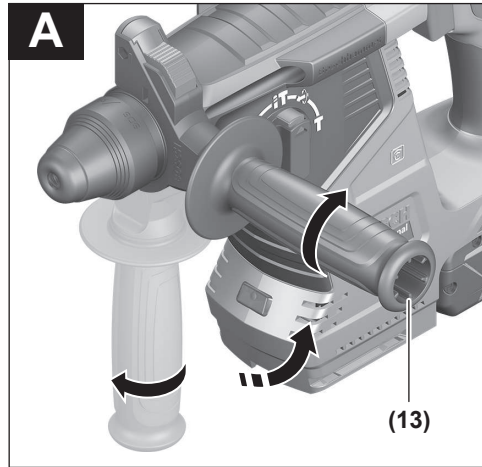
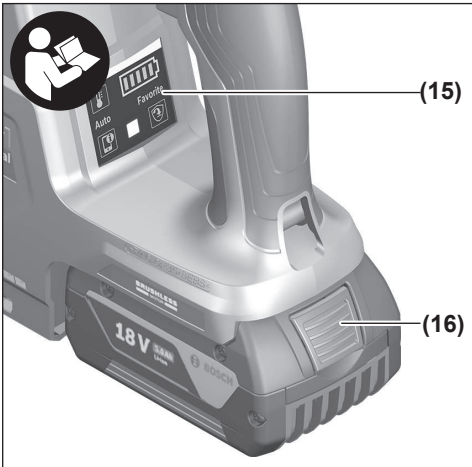


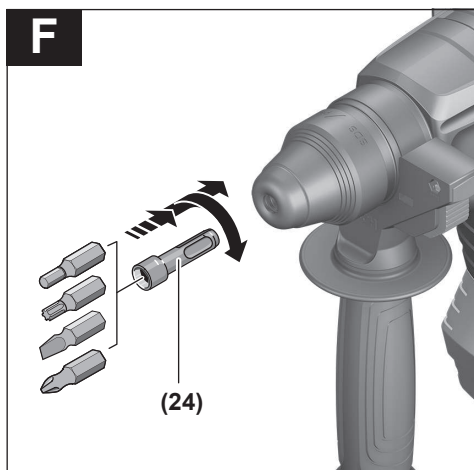
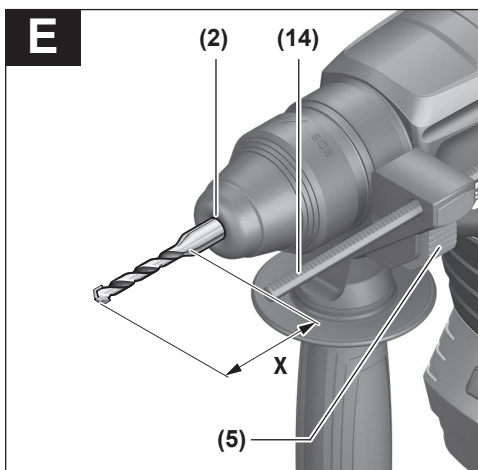
- en Original instructions
- fr Notice originale
- pt Manual original
- zh 正本使用说明书
- zh 原始使用說明書
- th หนังสือคู่มือการใช้งานฉบับต้นแบบ
- id Petunjuk-Petunjuk untuk Penggunaan Orisinal
- vi Bản gốc hướng dẫn sử dụng
- ar دليل التشغيل الأصلي
- fa دفترچه راهنمای اصلی



English .....	Page	6
Français .....	Page	14
Português .....	Página	24
中文 .....	頁	34
繁體中文 .....	頁	42
ไทย .....	หน้า	50
Bahasa Indonesia .....	Halaman	61
Tiếng Việt .....	Trang	71
عربي .....	الصفحة	82
فارسی .....	صفحه	92







# English

## Safety instructions

### General Power Tool Safety Warnings

**⚠ WARNING** Read all safety warnings, instructions, illustrations and specifications provided with this power tool. Failure to follow all instructions listed below may result in electric shock, fire and/or serious injury.

**Save all warnings and instructions for future reference.**

The term "power tool" in the warnings refers to your mains-operated (corded) power tool or battery-operated (cordless) power tool.

#### Work area safety

- ▶ **Keep work area clean and well lit.** Cluttered or dark areas invite accidents.
- ▶ **Do not operate power tools in explosive atmospheres, such as in the presence of flammable liquids, gases or dust.** Power tools create sparks which may ignite the dust or fumes.
- ▶ **Keep children and bystanders away while operating a power tool.** Distractions can cause you to lose control.

#### Electrical safety

- ▶ **Power tool plugs must match the outlet. Never modify the plug in any way. Do not use any adapter plugs with earthed (grounded) power tools.** Unmodified plugs and matching outlets will reduce risk of electric shock.
- ▶ **Avoid body contact with earthed or grounded surfaces, such as pipes, radiators, ranges and refrigerators.** There is an increased risk of electric shock if your body is earthed or grounded.
- ▶ **Do not expose power tools to rain or wet conditions.** Water entering a power tool will increase the risk of electric shock.
- ▶ **Do not abuse the cord. Never use the cord for carrying, pulling or unplugging the power tool. Keep cord away from heat, oil, sharp edges or moving parts.** Damaged or entangled cords increase the risk of electric shock.
- ▶ **When operating a power tool outdoors, use an extension cord suitable for outdoor use.** Use of a cord suitable for outdoor use reduces the risk of electric shock.
- ▶ **If operating a power tool in a damp location is unavoidable, use a residual current device (RCD) protected supply.** Use of an RCD reduces the risk of electric shock.

#### Personal safety

- ▶ **Stay alert, watch what you are doing and use common sense when operating a power tool. Do not use a power tool while you are tired or under the influence of drugs, alcohol or medication.** A moment of inatten-

tion while operating power tools may result in serious personal injury.

- ▶ **Use personal protective equipment. Always wear eye protection.** Protective equipment such as a dust mask, non-skid safety shoes, hard hat or hearing protection used for appropriate conditions will reduce personal injuries.
- ▶ **Prevent unintentional starting. Ensure the switch is in the off-position before connecting to power source and/or battery pack, picking up or carrying the tool.** Carrying power tools with your finger on the switch or energising power tools that have the switch on invites accidents.
- ▶ **Remove any adjusting key or wrench before turning the power tool on.** A wrench or a key left attached to a rotating part of the power tool may result in personal injury.
- ▶ **Do not overreach. Keep proper footing and balance at all times.** This enables better control of the power tool in unexpected situations.
- ▶ **Dress properly. Do not wear loose clothing or jewellery. Keep your hair and clothing away from moving parts.** Loose clothes, jewellery or long hair can be caught in moving parts.
- ▶ **If devices are provided for the connection of dust extraction and collection facilities, ensure these are connected and properly used.** Use of dust collection can reduce dust-related hazards.
- ▶ **Do not let familiarity gained from frequent use of tools allow you to become complacent and ignore tool safety principles.** A careless action can cause severe injury within a fraction of a second.

#### Power tool use and care

- ▶ **Do not force the power tool. Use the correct power tool for your application.** The correct power tool will do the job better and safer at the rate for which it was designed.
- ▶ **Do not use the power tool if the switch does not turn it on and off.** Any power tool that cannot be controlled with the switch is dangerous and must be repaired.
- ▶ **Disconnect the plug from the power source and/or remove the battery pack, if detachable, from the power tool before making any adjustments, changing accessories, or storing power tools.** Such preventive safety measures reduce the risk of starting the power tool accidentally.
- ▶ **Store idle power tools out of the reach of children and do not allow persons unfamiliar with the power tool or these instructions to operate the power tool.** Power tools are dangerous in the hands of untrained users.
- ▶ **Maintain power tools and accessories. Check for misalignment or binding of moving parts, breakage of parts and any other condition that may affect the power tool's operation. If damaged, have the power tool repaired before use.** Many accidents are caused by poorly maintained power tools.

- ▶ **Keep cutting tools sharp and clean.** Properly maintained cutting tools with sharp cutting edges are less likely to bind and are easier to control.
- ▶ **Use the power tool, accessories and tool bits etc. in accordance with these instructions, taking into account the working conditions and the work to be performed.** Use of the power tool for operations different from those intended could result in a hazardous situation.
- ▶ **Keep handles and grasping surfaces dry, clean and free from oil and grease.** Slippery handles and grasping surfaces do not allow for safe handling and control of the tool in unexpected situations.

#### Battery tool use and care

- ▶ **Recharge only with the charger specified by the manufacturer.** A charger that is suitable for one type of battery pack may create a risk of fire when used with another battery pack.
- ▶ **Use power tools only with specifically designated battery packs.** Use of any other battery packs may create a risk of injury and fire.
- ▶ **When battery pack is not in use, keep it away from other metal objects, like paper clips, coins, keys, nails, screws or other small metal objects, that can make a connection from one terminal to another.** Shorting the battery terminals together may cause burns or a fire.
- ▶ **Under abusive conditions, liquid may be ejected from the battery; avoid contact. If contact accidentally occurs, flush with water. If liquid contacts eyes, additionally seek medical help.** Liquid ejected from the battery may cause irritation or burns.
- ▶ **Do not use a battery pack or tool that is damaged or modified.** Damaged or modified batteries may exhibit unpredictable behaviour resulting in fire, explosion or risk of injury.
- ▶ **Do not expose a battery pack or tool to fire or excessive temperature.** Exposure to fire or temperature above 130°C may cause explosion.
- ▶ **Follow all charging instructions and do not charge the battery pack or tool outside the temperature range specified in the instructions.** Charging improperly or at temperatures outside the specified range may damage the battery and increase the risk of fire.

#### Service

- ▶ **Have your power tool serviced by a qualified repair person using only identical replacement parts.** This will ensure that the safety of the power tool is maintained.
- ▶ **Never service damaged battery packs.** Service of battery packs should only be performed by the manufacturer or authorized service providers.

### Hammer Safety Warnings

#### Safety instructions for all operations

- ▶ **Wear ear protectors.** Exposure to noise can cause hearing loss.

- ▶ **Use auxiliary handle(s), if supplied with the tool.** Loss of control can cause personal injury.
- ▶ **Hold the power tool by insulated gripping surfaces, when performing an operation where the cutting accessory or fasteners may contact hidden wiring.** Cutting accessory or fasteners contacting a "live" wire may make exposed metal parts of the power tool "live" and could give the operator an electric shock.

#### Safety instructions when using long drill bits with rotary hammers

- ▶ **Always start drilling at low speed and with the bit tip in contact with the workpiece.** At higher speeds, the bit is likely to bend if allowed to rotate freely without contacting the workpiece, resulting in personal injury.
- ▶ **Apply pressure only in direct line with the bit and do not apply excessive pressure.** Bits can bend, causing breakage or loss of control, resulting in personal injury.

#### Additional safety information

- ▶ **Use suitable detectors to determine if there are hidden supply lines or contact the local utility company for assistance.** Contact with electric cables can cause fire and electric shock. Damaging gas lines can lead to explosion. Breaking water pipes causes property damage.
- ▶ **Always wait until the power tool has come to a complete stop before placing it down.** The application tool can jam and cause you to lose control of the power tool.
- ▶ **Secure the workpiece.** A workpiece clamped with clamping devices or in a vice is held more secure than by hand.
- ▶ **In case of damage and improper use of the battery, vapours may be emitted. The battery can set alight or explode.** Ensure the area is well ventilated and seek medical attention should you experience any adverse effects. The vapours may irritate the respiratory system.
- ▶ **Do not open the battery.** There is a risk of short-circuiting.
- ▶ **The battery can be damaged by pointed objects such as nails or screwdrivers or by force applied externally.** An internal short circuit may occur, causing the battery to burn, smoke, explode or overheat.
- ▶ **Only use the battery with products from the manufacturer.** This is the only way in which you can protect the battery against dangerous overload.



**Protect the battery against heat, e.g. against continuous intense sunlight, fire, dirt, water and moisture.** There is a risk of explosion and short-circuiting.



- ▶ **Do not touch any application tools or adjacent housing components shortly after operation.** These can become very hot during operation and cause burns.
- ▶ **The application tool may jam during drilling. Make sure you have a stable footing and hold the power tool firmly with both hands.** Otherwise you could lose control of the power tool.

- ▶ **Take care when carrying out demolition work using the chisel.** Falling fragments of the demolition material could injure you or any bystanders.
- ▶ **Hold the power tool firmly with both hands and make sure you have a stable footing.** The power tool can be more securely guided with both hands.



**WARNING**



**Ensure that the coin cell is kept out of the reach of children.**  
Coin cells are dangerous.

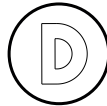
- ▶ **Coin cells must never be swallowed or inserted into any other part of the body. If you suspect that someone has swallowed a coin cell or that a coin cell has entered the body in another way, seek medical attention immediately.** Swallowing coin cells can result in severe internal burns and death within 2 hours.
- ▶ **Ensure that coin cell replacement is carried out properly.** There is a risk of explosion.
- ▶ **Only use the coin cells listed in this operating manual.** Do not use any other coin cells or other forms of electrical power supply.
- ▶ **Do not attempt to recharge the coin cell and do not short circuit the coin cell.** The coin cell may leak, explode, catch fire and cause personal injury.
- ▶ **Remove and dispose of drained coin cell correctly.** Drained coin cell may leak and damage the product or cause personal injury.
- ▶ **Do not overheat the coin cell or throw it into fire.** The coin cell may leak, explode, catch fire and cause personal injury.
- ▶ **Do not damage the coin cell and take the coin cell apart.** The coin cell may leak, explode, catch fire and cause personal injury.
- ▶ **Do not allow damaged coin cells to come into contact with water.** Leaking lithium may mix with water to create hydrogen, which could cause a fire, an explosion, or personal injury.
- ▶ **Caution! When using the power tool with Bluetooth<sup>®</sup>, a fault may occur in other devices and systems, aeroplanes and medical devices (e.g. pacemakers, hearing aids). Also, damage to people and animals in the immediate vicinity cannot be completely excluded. Do not use the power tool with Bluetooth<sup>®</sup> in the vicinity of medical devices, petrol stations, chemical plants, areas with a potentially explosive atmosphere or in blasting areas. Do not use the power tool with Bluetooth<sup>®</sup> in aircraft. Avoid using the product near your body for extended periods.**

The Bluetooth<sup>®</sup> word mark and logos are registered trademarks owned by Bluetooth SIG, Inc. and any use of such marks by Robert Bosch Power Tools GmbH is under license.

## Symbols

The following symbols may be important for the operation of your power tool. Please take note of these symbols and their meaning. Correctly interpreting the symbols will help you to operate the power tool more effectively and safely.

### Symbols and their meaning



Tool data logging is enabled in this tool.



Wireless connectivity tool with built-in Bluetooth<sup>®</sup> technology

## Product Description and Specifications



### Read all the safety and general instructions.

Failure to observe the safety and general instructions may result in electric shock, fire and/or serious injury.

Please observe the illustrations at the beginning of this operating manual.

### Intended Use

The power tool is intended for hammer drilling in concrete, brick and stone, as well as for light chiselling work. It is also suitable for drilling without impact in wood, metal, ceramic and plastic. Power tools with electronic control and right/left rotation are also suitable for screwdriving.

With the built-in Bluetooth<sup>®</sup> Low Energy Module, power tool data and settings are transferred between the power tool and a mobile device by means of Bluetooth<sup>®</sup> wireless technology.

### Product Features

The numbering of the product features refers to the diagram of the power tool on the graphics page.

- (1) SDS plus drill chuck
- (2) SDS plus tool holder
- (3) Dust protection cap
- (4) Locking sleeve
- (5) Button for depth stop adjustment
- (6) Release button for impact/mode selector switch
- (7) Impact/mode selector switch
- (8) Rotational direction switch
- (9) On/off switch
- (10) Handle (insulated gripping surface)
- (11) Rechargeable battery<sup>a)</sup>



- (12) Worklight
- (13) Auxiliary handle (insulated gripping surface)
- (14) Depth stop
- (15) User interface
- (16) Battery release button<sup>a)</sup>
- (17) Power tool status indicator (user interface)
- (18) Battery charge indicator (user interface)
- (19) Rapid shut-off indicator (user interface)
- (20) Button to select the working mode (user interface)
- (21) Smartphone indicator (user interface)
- (22) Working mode indicator (user interface)
- (23) Temperature indicator (user interface)
- (24) Universal holder with SDS plus shank<sup>a)</sup>

a) **Accessories shown or described are not included with the product as standard. You can find the complete selection of accessories in our accessories range.**

## Technical Data

Cordless rotary hammer		GBH 187-LI
Article number		<b>3 611 J23 0..</b>
Rated voltage	V=	18
Rated speed		
– Clockwise	min <sup>-1</sup>	0–980
– Anticlockwise	min <sup>-1</sup>	0–980
Impact rate <sup>A)</sup>	min <sup>-1</sup>	0–4350
Impact energy per stroke according to EPTA-Procedure 05:2016	J	2.4
Tool holder		SDS plus
Max. drilling diameter		
– Concrete <sup>B)</sup>	mm	24
– Steel	mm	13
– Wood	mm	30
Weight according to EPTA-Procedure 01:2014 <sup>C)</sup>	kg	3.4–4.3
Recommended ambient temperature during charging	°C	0 to +35
Permitted ambient temperature during operation <sup>D)</sup> and during storage	°C	–20 to +50
Recommended rechargeable batteries		GBA 18V... (≥ 4.0 Ah) ProCORE18V 8.0Ah/12.0Ah
Recommended chargers		GAL 18... GAX 18... GAL 36...

## Data transfer

Cordless rotary hammer		GBH 187-LI
Bluetooth <sup>®</sup>		Bluetooth <sup>®</sup> 4.2 (Low Energy) <sup>E)</sup>
Max. signal range	m	30 <sup>F)</sup>
Frequency range used	MHz	2400–2483.5
Output power	mW	< 1

## Energy supply Bluetooth<sup>®</sup> Low Energy module

Coin cell		3 V lithium battery, CR 2450
Coin cell service life, approx.	Years	5

- A) Measured at 20–25 °C with rechargeable battery **ProCORE18V 12.0Ah**.
- B) optimum performance with drilling diameter **6–14 mm**
- C) Depends on battery in use
- D) Limited performance at temperatures < 0 °C
- E) The mobile terminal devices must be compatible with *Bluetooth<sup>®</sup> Low Energy* devices (version 4.2) and support the Generic Access Profile (GAP).
- F) The signal range may vary greatly depending on external conditions, including the receiving device used. The *Bluetooth<sup>®</sup>* range may be significantly weaker inside closed rooms and through metallic barriers (e.g. walls, shelving units, cases, etc.).

## Rechargeable battery

**Bosch** sells some cordless power tools without a rechargeable battery. You can tell whether a rechargeable battery is included with the power tool by looking at the packaging.

### Charging the battery

- ▶ **Use only the chargers listed in the technical data.** Only these chargers are matched to the lithium-ion battery of your power tool.

**Note:** Lithium-ion rechargeable batteries are supplied partially charged according to international transport regulations. To ensure full rechargeable battery capacity, fully charge the rechargeable battery before using your tool for the first time.

### Inserting the Battery

Push the charged battery into the battery holder until it clicks into place.

### Removing the Battery



To remove the rechargeable battery, press the battery release button and pull the battery out. **Do not use force to do this.**

The rechargeable battery has two locking levels to prevent the battery from falling out if the battery release button is pressed unintentionally. The rechargeable battery is held in place by a spring when fitted in the power tool.

### Battery charge indicator

The green LEDs on the battery charge indicator indicate the state of charge of the battery. For safety reasons, it is only

possible to check the state of charge when the power tool is not in operation.

Press the button for the battery charge indicator  or  to show the state of charge. This is also possible when the battery is removed.

If no LED lights up after pressing the button for the battery charge indicator, then the battery is defective and must be replaced.

The state of charge of the battery is also displayed on the user interface Status indications.

#### Battery model GBA 18V...



LED	Capacity
3 × continuous green light	60–100 %
2 × continuous green light	30–60 %
1 × continuous green light	5–30 %
1 × flashing green light	0–5 %

#### Battery model ProCORE18V...



LED	Capacity
5 × continuous green light	80–100 %
4 × continuous green light	60–80 %
3 × continuous green light	40–60 %
2 × continuous green light	20–40 %
1 × continuous green light	5–20 %
1 × flashing green light	0–5 %

### Recommendations for Optimal Handling of the Battery

Protect the battery against moisture and water.

Only store the battery within a temperature range of –20 to 50 °C. Do not leave the battery in your car in the summer, for example.

Occasionally clean the ventilation slots on the battery using a soft brush that is clean and dry.

A significantly reduced operating time after charging indicates that the battery has deteriorated and must be replaced. Follow the instructions on correct disposal.

### Assembly

- ▶ **Remove the battery from the power tool before carrying out work on the power tool (e.g. maintenance, changing tool, etc.). The battery should also be removed for transport and storage.** There is risk of injury from unintentionally pressing the on/off switch.

### Auxiliary handle

- ▶ **Do not operate your power tool without the auxiliary handle (13).**
- ▶ **Make sure that the auxiliary handle is always tightened.** Otherwise you could lose control of the power tool when working.

#### Swivelling the auxiliary handle (see figure A)

You can swivel the auxiliary handle (13) to any angle for a safe work posture that minimises fatigue.

- Turn the lower gripping end of the auxiliary handle (13) anticlockwise and swivel the auxiliary handle (13) into the required position. Then turn the lower gripping end of the auxiliary handle (13) clockwise to retighten it. Make sure that the retaining strap of the auxiliary handle slots into the corresponding groove of the housing.

### Changing the Tool

The dust protection cap (3) largely prevents the penetration of drilling dust into the tool holder during operation. When inserting the tool, make sure that the dust protection cap (3) does not become damaged.

- ▶ **Replace a damaged dust protection cap immediately. It is recommended that you have use an after-sales service for this.**

#### Changing the tool (SDS plus)

##### Inserting SDS-plus application tools (see figure B1)

The SDS-plus drill chuck enables you to change the application tool easily and conveniently without needing to use additional tools.

- Clean and lightly grease the insertion end of the application tool.
- Insert the application tool into the tool holder while turning it until it locks automatically.
- Check the latching by pulling the tool.

As a requirement of the system, the SDS-plus application tool can move freely. This causes a certain radial run-out at no-load, which has no effect on the accuracy of the drill hole, as the drill bit centres itself upon drilling.

##### Removing SDS-plus application tools (see figure B2)

- Push the locking sleeve (4) back and remove the application tool.

### Dust/Chip Extraction

Dust from materials such as lead-containing coatings, some wood types, minerals and metal can be harmful to one's health. Touching or breathing-in the dust can cause allergic reactions and/or lead to respiratory infections of the user or bystanders.

Certain dust, such as oak or beech dust, is considered carcinogenic, especially in connection with wood-treatment additives (chromate, wood preservative). Materials containing asbestos may only be worked by specialists.

- Provide for good ventilation of the working place.
- It is recommended to wear a P2 filter-class respirator.

Observe the relevant regulations in your country for the materials to be worked.

- **Avoid dust accumulation at the workplace.** Dust can easily ignite.

## Operation

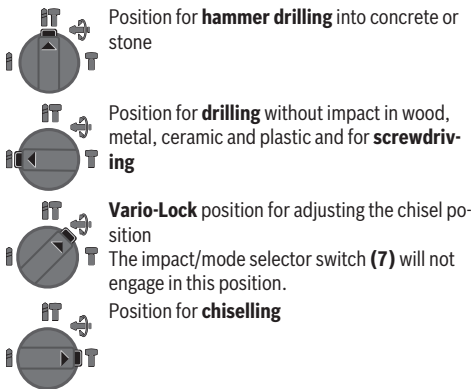
### Start-up

#### Setting the Operating Mode

The operating mode of the power tool is selected using the impact/mode selector switch (7).

- To change the operating mode, press the release button (6) and turn the impact/mode selector switch (7) until it clicks into the required position.

**Note:** Only change the operating mode when the power tool is switched off. Otherwise, the power tool may become damaged.



#### Setting the rotational direction (see figure C)

The rotational direction switch (8) is used to change the rotational direction of the power tool. However, this is not possible while the on/off switch (9) is being pressed.

- **Only operate the rotational direction switch (8) when the power tool is not in use.**

### Status indications

Battery charge indicator (user interface) (18)	Meaning/cause	Solution
Green (2 to 5 bars)	Battery charged	-
Yellow (1 bar)	Battery almost empty	Replace or charge battery soon
Red (1 bar)	Battery empty	Replace or charge battery

Temperature indicator (23)	Meaning/cause	Solution
Yellow	Operating temperature of the battery or the power tool has significantly increased, performance is reduced	Leave the power tool to cool down or replace overheated battery

Always set the rotational direction to clockwise rotation for hammer drilling, drilling and chiselling.

- **Clockwise:** To drill and to drive in screws, press the rotational direction switch (8) all the way to the left.
- **Anticlockwise:** To loosen and unscrew screws and nuts, press the rotational direction switch (8) all the way to the right.

#### Switching On/Off

- To **switch on** the power tool, press the on/off switch (9).

The worklight (12) lights up when the on/off switch (9) is lightly or fully pressed, allowing the work area to be illuminated in poor lighting conditions.

- To **switch off** the power tool, release the on/off switch (9).

For low temperatures, the power tool reaches the full hammer/impact capacity only after a certain time.

#### Adjusting the Speed/Impact Rate

You can adjust the speed/impact rate of the power tool when it is on by pressing in the on/off switch (9) to varying extents.

Applying light pressure to the on/off switch (9) results in a low rotational speed/impact rate. Applying increasing pressure to the switch increases the speed/impact rate.

You can also control the speed on the user interface and/or via a smartphone app: .

#### Changing the chiselling position (Vario-Lock)

You can lock the chisel in different positions, so you can select the optimum working position for each task.

- Insert the chisel into the tool holder.
- Turn the impact/mode selector switch (7) to the "Vario-Lock" position.
- Turn the application tool to the required chisel position.
- Turn the impact/mode selector switch (7) to the "chiselling" position. With this, the tool holder is locked.
- Set the rotational direction for chiselling to clockwise.

#### User interface (see figure D)

The user interface (15) is used to select the working mode and to indicate the status of the power tool.

Temperature indicator (23)	Meaning/cause	Solution
Red	Operating temperature of the battery or the power tool has been exceeded, power tool switches itself off as a precautionary measure	Leave the power tool to cool down or replace overheated battery

Power tool status indicator (17)	Meaning/cause	Solution
Green	Status OK	–
Yellow	Critical temperature has been reached or rechargeable battery is almost empty	Allow the power tool to cool down, or replace or charge the battery
Red	Power tool has overheated or rechargeable battery is empty	Allow the power tool to cool down, or replace or charge the battery
Red	Impact/mode selector switch activated during operation	Turn the power tool off and on again
	Motor is jammed, battery too weak	Charge the battery or use the recommended battery type
	General error	– Turn the power tool off and on again, or remove the battery and reinsert it  If the error persists: – Send the power tool to the after-sales service
Flashing red – In combination with the rapid shut-off indicator (19)	Rapid shut-off is triggered	Turn the power tool off and on again
Flashing blue	Power tool is connected to a mobile device via <i>Bluetooth</i> <sup>®</sup> or settings are being transferred	–

Smartphone status indicator (21)	Meaning/cause	Solution
white	Important information available (e.g. temperature warning)	Read the message on the smartphone

### Selecting the working mode

Press the **(20)** button for selecting the working mode repeatedly until the working mode you require lights up.

**Note:** In **Favorite** working mode, the functions are configured via the smartphone app, while the functions are pre-set in **Auto** working mode.

Working mode (22) indicator	Functions
<b>Auto</b> lights up	In <b>Auto</b> working mode, the power tool reaches maximum performance. – 100 % of the maximum speed – Rapid Shut-off (KickBack Control)
<b>Favorite</b> lights up	In <b>Favorite</b> working mode, the power tool can be individually configured via a smartphone app. – The speed can be configured in several settings for different applications: low/medium/high (100 % of the maximum speed) speed

### Practical Advice

- The power tool with built-in *Bluetooth*<sup>®</sup> Low Energy Module is equipped with a radio interface. Local oper-

ating restrictions, e.g. in aircraft or hospitals, must be observed.

- In areas in which the *Bluetooth*<sup>®</sup> wireless technology must not be used, the *Bluetooth*<sup>®</sup> Low Energy Module must be switched off via the app.

#### Setting the drilling depth (see figure E)

You can use the depth stop (14) to set the required drilling depth X.

- Press the button for depth stop adjustment (5) and insert the depth stop into the auxiliary handle (13).  
The fluting on the depth stop (14) must face downwards.
- Insert the SDS-plus application tool into the SDS-plus tool holder (2) to the stop. Otherwise, the movability of the SDS-plus drilling tool can lead to incorrect adjustment of the drilling depth.
- Pull the depth stop far enough out that the distance between the drill bit tip and the edge of the depth stop corresponds to the required drilling depth X.

#### Overload clutch

- If the application tool jams or snags, the power transmission to the drill spindle will be interrupted. Always hold the power tool firmly with both hands to withstand the forces this may create and adopt a position with stable footing.
- Switch the power tool off immediately and remove the application tool if the power tool becomes blocked. Switching on when the drilling tool is blocked may cause high torque reactions.

#### Rapid shut-off (KickBack Control)



The rapid shut-off function (KickBack Control) gives the user greater control over the power tool and offers them better protection than power tools that do not have KickBack Control. If the power tool suddenly and unforeseeably rotates around the drilling axis, it will switch off and the rapid shut-off indicator (19) will light up and the worklight (12) will flash. When rapid shut-off is activated, the status indicator (17) flashes red.

- To switch the tool back on, release the on/off switch (9) and then press it again.

#### Inserting screwdriver bits (see figure F)

- Only apply the power tool to the screw/nut when the tool is switched off. Rotating tool inserts can slip off.

A universal holder (24) with SDS-plus shank (accessory) is required to work with screwdriver bits.

- Clean and lightly grease the insertion end of the shank.
- Insert the universal holder into the tool holder while turning it until it locks automatically.
- Check that it is locked by pulling the universal holder.
- Insert a screwdriver bit in the universal holder. Only use screwdriver bits that fit the screw head.
- To remove the universal holder, slide the locking sleeve (4) backwards and remove the universal holder (24) from the tool holder.

## Connectivity functions

### System Requirements for Using the App

#### System Requirements

Mobile device (tablet, smartphone)	Android 5.1 (and newer) iOS 10 (and newer)
------------------------------------	---

### Installing and Setting up the App

You will need to install the device-specific app before you can use the connectivity functions.

- Download the app from the corresponding app store (Apple App Store, Google Play Store).  
**Note:** You will need to have a user account with the relevant app store to do this.

App name	iOS	Android
Bosch Toolbox		

App name	
Bosch BeConnected	

- Then select the **MyTools** or **Connectivity** sub-item in the app.
- The display of your mobile device shows you all of the subsequent steps required to connect the power tool to the mobile device.

### Data Transfer via *Bluetooth*<sup>®</sup>

The built-in *Bluetooth*<sup>®</sup> Low Energy Module sends a signal at regular intervals. Depending on ambient conditions, multiple transmission intervals may be required before the power tool is detected. If the power tool is not detected, check the following:

- Is the distance to the mobile device too great?  
Reduce the distance between the mobile device and the power tool.
- Is the coin cell for the built-in *Bluetooth*<sup>®</sup> Low Energy Module weak or drained?  
Contact an authorised after-sales service centre for Bosch power tools to replace the coin cell.
- Switch *Bluetooth*<sup>®</sup> off and on again on your mobile device.  
Check whether the power tool has now been detected.

### Functions in Conjunction with the Power Tool

In conjunction with the *Bluetooth*<sup>®</sup> Low Energy Module, the following connectivity functions are available for the power tool:

- Registration and personalisation
- Status check, output of warning messages
- General information and settings
- Management
- Adjusting the *Bluetooth*® transfer settings for **Favourite** working mode

## Maintenance and Service

### Maintenance and Cleaning

- ▶ **Remove the battery from the power tool before carrying out work on the power tool (e.g. maintenance, changing tool, etc.). The battery should also be removed for transport and storage.** There is risk of injury from unintentionally pressing the on/off switch.
- ▶ **To ensure safe and efficient operation, always keep the power tool and the ventilation slots clean.**
- ▶ **Replace a damaged dust protection cap immediately. It is recommended that you have use an after-sales service for this.**
- Clean the tool holder (2) after each use.

### Replacing the Built-in Coin Cell

The *Bluetooth*® Low Energy Module is fitted with a coin cell. You will be notified via the **Bosch Toolbox** app if the coin cell is too weak or if it is drained. The coin cell replacement must be performed by Bosch or by an after-sales service centre authorised to work with Bosch power tools.

- ▶ **Caution: The coin cell must always be replaced with a coin cell of the same type.** There is a risk of explosion.
- ▶ **Remove and dispose of drained coin cell correctly.** Drained coin cell may leak and damage the product or cause personal injury.

### After-Sales Service and Application Service

Our after-sales service responds to your questions concerning maintenance and repair of your product as well as spare parts. You can find explosion drawings and information on spare parts at: [www.bosch-pt.com](http://www.bosch-pt.com)

The Bosch product use advice team will be happy to help you with any questions about our products and their accessories.

In all correspondence and spare parts orders, please always include the 10-digit article number given on the nameplate of the product.

#### Malaysia

Robert Bosch Sdn. Bhd. (220975-V) PT/SMY  
 No. 8A, Jalan 13/6  
 46200 Petaling Jaya  
 Selangor  
 Tel.: (03) 79663194  
 Toll-Free: 1800 880188  
 Fax: (03) 79583838  
 E-Mail: [kiathoe.chong@my.bosch.com](mailto:kiathoe.chong@my.bosch.com)  
[www.bosch-pt.com.my](http://www.bosch-pt.com.my)

### You can find further service addresses at:

[www.bosch-pt.com/serviceaddresses](http://www.bosch-pt.com/serviceaddresses)

### Transport

The recommended lithium-ion batteries are subject to legislation on the transport of dangerous goods. The user can transport the batteries by road without further requirements.

When shipping by third parties (e.g.: by air transport or forwarding agency), special requirements on packaging and labelling must be observed. For preparation of the item being shipped, consulting an expert for hazardous material is required.

Dispatch battery packs only when the housing is undamaged. Tape or mask off open contacts and pack up the battery in such a manner that it cannot move around in the packaging. Please also observe the possibility of more detailed national regulations.

### Disposal



Power tools, rechargeable batteries, accessories and packaging should be sorted for environmental-friendly recycling.



Do not dispose of power tools and batteries/rechargeable batteries into household waste!

### Battery packs/batteries:

#### Li-ion:

Please observe the notes in the section on transport (see "Transport", page 14).

## Français

### Consignes de sécurité

#### Avertissements de sécurité généraux pour l'outil électrique

#### **AVERTISSEMENT**

**Lire tous les avertissements de sécurité, les instructions, les illustrations et les spécifications fournis**

**avec cet outil électrique.** Ne pas suivre les instructions énumérées ci-dessous peut provoquer un choc électrique, un incendie et/ou une blessure sérieuse.

#### **Conserver tous les avertissements et toutes les instructions pour pouvoir s'y reporter ultérieurement.**

Le terme "outil électrique" dans les avertissements fait référence à votre outil électrique alimenté par le secteur (avec cordon d'alimentation) ou votre outil électrique fonctionnant sur batterie (sans cordon d'alimentation).

### Sécurité de la zone de travail

- ▶ **Conserver la zone de travail propre et bien éclairée.**  
Les zones en désordre ou sombres sont propices aux accidents.
- ▶ **Ne pas faire fonctionner les outils électriques en atmosphère explosive, par exemple en présence de liquides inflammables, de gaz ou de poussières.** Les outils électriques produisent des étincelles qui peuvent enflammer les poussières ou les fumées.
- ▶ **Maintenir les enfants et les personnes présentes à l'écart pendant l'utilisation de l'outil électrique.** Les distractions peuvent vous faire perdre le contrôle de l'outil.

### Sécurité électrique

- ▶ **Il faut que les fiches de l'outil électrique soient adaptées au socle. Ne jamais modifier la fiche de quelque façon que ce soit. Ne pas utiliser d'adaptateurs avec des outils électriques à branchement de terre.** Des fiches non modifiées et des socles adaptés réduisent le risque de choc électrique.
- ▶ **Éviter tout contact du corps avec des surfaces reliées à la terre telles que les tuyaux, les radiateurs, les cuisinières et les réfrigérateurs.** Il existe un risque accru de choc électrique si votre corps est relié à la terre.
- ▶ **Ne pas exposer les outils électriques à la pluie ou à des conditions humides.** La pénétration d'eau à l'intérieur d'un outil électrique augmente le risque de choc électrique.
- ▶ **Ne pas maltraiter le cordon. Ne jamais utiliser le cordon pour porter, tirer ou débrancher l'outil électrique. Maintenir le cordon à l'écart de la chaleur, du lubrifiant, des arêtes vives ou des parties en mouvement.** Des cordons endommagés ou emmêlés augmentent le risque de choc électrique.
- ▶ **Lorsqu'on utilise un outil électrique à l'extérieur, utiliser un prolongateur adapté à l'utilisation extérieure.** L'utilisation d'un cordon adapté à l'utilisation extérieure réduit le risque de choc électrique.
- ▶ **Si l'usage d'un outil électrique dans un emplacement humide est inévitable, utiliser une alimentation protégée par un dispositif à courant différentiel résiduel (RCD).** L'usage d'un RCD réduit le risque de choc électrique.

### Sécurité des personnes

- ▶ **Rester vigilant, regarder ce que vous êtes en train de faire et faire preuve de bon sens dans votre utilisation de l'outil électrique. Ne pas utiliser un outil électrique lorsque vous êtes fatigué ou sous l'emprise de drogues, de l'alcool ou de médicaments.** Un moment d'inattention en cours d'utilisation d'un outil électrique peut entraîner des blessures graves.
- ▶ **Utiliser un équipement de protection individuelle. Toujours porter une protection pour les yeux.** Les équipements de protection individuelle tels que les masques contre les poussières, les chaussures de sécurité antidérapantes, les casques ou les protections audi-

tives utilisés pour les conditions appropriées réduisent les blessures.

- ▶ **Éviter tout démarrage intempestif. S'assurer que l'interrupteur est en position arrêté avant de brancher l'outil au secteur et/ou au bloc de batteries, de le ramasser ou de le porter.** Porter les outils électriques en ayant le doigt sur l'interrupteur ou brancher des outils électriques dont l'interrupteur est en position marche est source d'accidents.
- ▶ **Retirer toute clé de réglage avant de mettre l'outil électrique en marche.** Une clé laissée fixée sur une partie tournante de l'outil électrique peut donner lieu à des blessures.
- ▶ **Ne pas se précipiter. Garder une position et un équilibre adaptés à tout moment.** Cela permet un meilleur contrôle de l'outil électrique dans des situations inattendues.
- ▶ **S'habiller de manière adaptée. Ne pas porter de vêtements amples ou de bijoux. Garder les cheveux et les vêtements à distance des parties en mouvement.** Des vêtements amples, des bijoux ou les cheveux longs peuvent être pris dans des parties en mouvement.
- ▶ **Si des dispositifs sont fournis pour le raccordement d'équipements pour l'extraction et la récupération des poussières, s'assurer qu'ils sont connectés et correctement utilisés.** Utiliser des collecteurs de poussière peut réduire les risques dus aux poussières.
- ▶ **Rester vigilant et ne pas négliger les principes de sécurité de l'outil sous prétexte que vous avez l'habitude de l'utiliser.** Une fraction de seconde d'inattention peut provoquer une blessure grave.

### Utilisation et entretien de l'outil électrique

- ▶ **Ne pas forcer l'outil électrique. Utiliser l'outil électrique adapté à votre application.** L'outil électrique adapté réalise mieux le travail et de manière plus sûre au régime pour lequel il a été construit.
- ▶ **Ne pas utiliser l'outil électrique si l'interrupteur ne permet pas de passer de l'état de marche à arrêté et inversement.** Tout outil électrique qui ne peut pas être commandé par l'interrupteur est dangereux et il faut le réparer.
- ▶ **Débrancher la fiche de la source d'alimentation et/ou enlever le bloc de batteries, s'il est amovible, avant tout réglage, changement d'accessoires ou avant de ranger l'outil électrique.** De telles mesures de sécurité préventives réduisent le risque de démarrage accidentel de l'outil électrique.
- ▶ **Conserver les outils électriques à l'arrêt hors de la portée des enfants et ne pas permettre à des personnes ne connaissant pas l'outil électrique ou les présentes instructions de le faire fonctionner.** Les outils électriques sont dangereux entre les mains d'utilisateurs novices.
- ▶ **Observer la maintenance des outils électriques et des accessoires. Vérifier qu'il n'y a pas de mauvais alignement ou de blocage des parties mobiles, des pièces**

**cassées ou toute autre condition pouvant affecter le fonctionnement de l'outil électrique. En cas de dommages, faire réparer l'outil électrique avant de l'utiliser.** De nombreux accidents sont dus à des outils électriques mal entretenus.

- ▶ **Garder affûtés et propres les outils permettant de couper.** Des outils destinés à couper correctement entretenus avec des pièces coupantes tranchantes sont moins susceptibles de bloquer et sont plus faciles à contrôler.
- ▶ **Utiliser l'outil électrique, les accessoires et les lames etc., conformément à ces instructions, en tenant compte des conditions de travail et du travail à réaliser.** L'utilisation de l'outil électrique pour des opérations différentes de celles prévues peut donner lieu à des situations dangereuses.
- ▶ **Il faut que les poignées et les surfaces de préhension restent sèches, propres et dépourvues d'huiles et de graisses.** Des poignées et des surfaces de préhension glissantes rendent impossibles la manipulation et le contrôle en toute sécurité de l'outil dans les situations inattendues.

#### Utilisation des outils fonctionnant sur batteries et précautions d'emploi

- ▶ **Ne recharger qu'avec le chargeur spécifié par le fabricant.** Un chargeur qui est adapté à un type de bloc de batteries peut créer un risque de feu lorsqu'il est utilisé avec un autre type de bloc de batteries.
- ▶ **N'utiliser les outils électriques qu'avec des blocs de batteries spécifiquement désignés.** L'utilisation de tout autre bloc de batteries peut créer un risque de blessure et de feu.
- ▶ **Lorsqu'un bloc de batteries n'est pas utilisé, le maintenir à l'écart de tout autre objet métallique, par exemple trombones, pièces de monnaie, clés, clous, vis ou autres objets de petite taille qui peuvent donner lieu à une connexion d'une borne à une autre.** Le court-circuitage des bornes d'une batterie entre elles peut causer des brûlures ou un feu.
- ▶ **Dans de mauvaises conditions, du liquide peut être éjecté de la batterie; éviter tout contact. En cas de contact accidentel, nettoyer à l'eau. Si le liquide entre en contact avec les yeux, rechercher en plus une aide médicale.** Le liquide éjecté des batteries peut causer des irritations ou des brûlures.
- ▶ **Ne pas utiliser un bloc de batteries ou un outil fonctionnant sur batteries qui a été endommagé ou modifié.** Les batteries endommagées ou modifiées peuvent avoir un comportement imprévisible provoquant un feu, une explosion ou un risque de blessure.
- ▶ **Ne pas exposer un bloc de batteries ou un outil fonctionnant sur batteries au feu ou à une température excessive.** Une exposition au feu ou à une température supérieure à 130°C peut provoquer une explosion.
- ▶ **Suivre toutes les instructions de charge et ne pas charger le bloc de batteries ou l'outil fonctionnant sur**

**batteries hors de la plage de températures spécifiée dans les instructions.** Un chargement incorrect ou à des températures hors de la plage spécifiée de températures peut endommager la batterie et augmenter le risque de feu.

#### Maintenance et entretien

- ▶ **Faire entretenir l'outil électrique par un réparateur qualifié utilisant uniquement des pièces de rechange identiques.** Cela assure le maintien de la sécurité de l'outil électrique.
- ▶ **Ne jamais effectuer d'opération d'entretien sur des blocs de batteries endommagés.** Il convient que l'entretien des blocs de batteries ne soit effectué que par le fabricant ou les fournisseurs de service autorisés.

#### Avertissements de sécurité pour les marteaux

##### Instructions de sécurité pour toutes les opérations

- ▶ **Porter des protecteurs d'oreilles.** L'exposition au bruit peut provoquer une perte de l'audition.
- ▶ **Utiliser la ou les poignées auxiliaires, si l'outil en est équipé.** Toute perte de contrôle peut entraîner des dommages corporels.
- ▶ **Tenir l'outil électrique par des surfaces de préhension isolées au cours d'une opération où l'accessoire de coupe ou les vis peut être en contact avec des fils dissimulés.** Des accessoires de coupe en contact avec un fil "sous tension" peuvent mettre des parties métalliques exposées de l'outil électrique "sous tension" et provoquer un choc électrique chez l'opérateur.

##### Instructions de sécurité lors de l'utilisation de longs forets avec des marteaux rotatifs

- ▶ **Toujours commencer à percer à faible vitesse et avec la pointe du foret en contact avec la pièce à usiner.** A des vitesses plus élevées, la pointe est susceptible de se plier s'il lui est permis de tourner librement sans entrer en contact avec la pièce à usiner, entraînant des dommages corporels.
- ▶ **Appliquer la pression uniquement en ligne directe avec la pointe et ne pas appliquer de pression excessive.** Les pointes peuvent se plier et provoquer une rupture ou une perte de contrôle, entraînant des dommages corporels.

##### Consignes de sécurité additionnelles

- ▶ **Utilisez un détecteur approprié pour vérifier s'il n'y a pas de conduites cachées ou contactez votre société de distribution d'eau locale.** Tout contact avec des câbles électriques peut provoquer un incendie ou un choc électrique. Tout endommagement d'une conduite de gaz peut provoquer une explosion. La perforation d'une conduite d'eau provoque des dégâts matériels.
- ▶ **Avant de poser l'outil électroportatif, attendez que celui-ci soit complètement à l'arrêt.** L'outil risque de se coincer, ce qui entraînerait une perte de contrôle de l'outil électroportatif.



- ▶ **Bloquez la pièce à travailler.** Une pièce à travailler serrée par des dispositifs de serrage appropriés ou dans un étau est fixée de manière plus sûre que quand elle est tenue avec une main.
- ▶ **Si l'accu est endommagé ou utilisé de manière non conforme, des vapeurs peuvent s'échapper. L'accu peut brûler ou exploser.** Ventilez le local et consultez un médecin en cas de malaise. Les vapeurs peuvent entraîner des irritations des voies respiratoires.
- ▶ **N'ouvrez pas l'accu.** Risque de court-circuit.
- ▶ **Les objets pointus comme un clou ou un tournevis et le fait d'exercer une force extérieure sur le boîtier risque d'endommager l'accu.** Il peut en résulter un court-circuit interne et l'accu risque de s'enflammer, de dégager des fumées, d'exploser ou de surchauffer.

- ▶ **N'utilisez l'accu qu'avec des produits du fabricant.** Tout risque de surcharge dangereuse sera alors exclu.



Conservez la batterie à l'abri de la chaleur, en la protégeant p. ex. de l'ensoleillement direct, du feu, de la saleté, de l'eau et de l'humidité. Il existe un risque d'explosion et de courts-circuits.



- ▶ **Ne touchez pas les accessoires ou pièces adjacentes du carter juste après l'utilisation de l'outil électroportatif.** Ils peuvent devenir très chauds et causer des brûlures.
- ▶ **L'accessoire de travail peut se bloquer lors des perçages. Tenez fermement l'outil électroportatif des deux mains et veillez à toujours travailler dans une position stable.** Vous risquez sinon de perdre le contrôle de l'outil électroportatif.
- ▶ **Soyez prudent lors de travaux de démolition avec un burin.** Les fragments de matériau qui se détachent risquent de vous blesser et de blesser les personnes qui se trouvent à proximité.
- ▶ **Lors du travail, tenez fermement l'outil électroportatif des deux mains et veillez à toujours garder une position de travail stable.** Avec les deux mains, l'outil électroportatif est guidé en toute sécurité.



#### AVERTISSEMENT



Assurez-vous de ne jamais laisser la pile bouton à la portée des enfants. Les piles boutons sont dangereuses.

- ▶ **Les piles boutons ne doivent en aucun cas être ingérées ou introduites dans des ouvertures corporelles. En cas de suspicion d'ingestion d'une pile bouton ou d'introduction d'une pile dans une autre ouverture corporelle, consultez immédiatement un médecin.** L'ingestion d'une pile bouton peut, au bout de seulement 2 heures, provoquer des brûlures graves et même entraîner la mort.

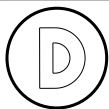
- ▶ **Lors d'un changement de pile bouton, veuillez respecter les règles et précautions d'usage.** Il y a sinon risque d'explosion.
- ▶ **Veuillez n'utiliser que le type de pile bouton indiqué dans la présente notice d'utilisation.** N'utilisez aucune autre pile bouton ni aucune autre source d'alimentation électrique.
- ▶ **N'essayez pas de recharger la pile bouton ou de la court-circuiter.** La pile bouton risque alors de fuir, d'exploser, de brûler et de blesser des personnes.
- ▶ **Retirez les piles boutons déchargées et éliminez-les en respectant la législation en vigueur.** Les piles boutons déchargées peuvent se mettre à fuir et détériorer le produit ou blesser des personnes.
- ▶ **Ne surchauffez pas la pile bouton et ne la jetez pas dans le feu.** La pile bouton risque alors de fuir, d'exploser, de brûler et de blesser des personnes.
- ▶ **N'endommagez pas la pile bouton et n'essayez pas de l'ouvrir.** La pile bouton risque alors de fuir, d'exploser, de brûler et de blesser des personnes.
- ▶ **Ne mettez pas une pile bouton endommagée en contact avec de l'eau.** Le lithium qui s'échappe peut produire de l'hydrogène en réagissant avec l'eau. Il y a alors risque d'incendie, d'explosion ou de blessure de personnes.
- ▶ **Attention ! En cas d'utilisation de l'outil électroportatif en mode Bluetooth, les ondes émises risquent de perturber le fonctionnement de certains appareils et installations ainsi que le fonctionnement des avions et des appareils médicaux (par ex. stimulateurs cardiaques, prothèses auditives). Les ondes émises peuvent aussi avoir un effet nocif sur les personnes et les animaux qui se trouvent à proximité immédiate de l'outil. N'utilisez pas l'outil électroportatif en mesure en mode Bluetooth à proximité d'appareils médicaux, de stations-service, d'usines chimiques et lorsque vous vous trouvez dans des zones à risque d'explosion ou dans des zones de dynamitage. N'utilisez pas l'outil électroportatif en mode Bluetooth® dans des avions. Évitez une utilisation prolongée de l'outil très près du corps.**

Le nom de marque *Bluetooth®* et le logo associé sont des marques déposées de la Bluetooth SIG, Inc. Toute utilisation de cette marque/de ce logo par la société Robert Bosch Power Tools GmbH s'effectue sous licence.

## Symboles

Les symboles suivants peuvent être importants pour l'utilisation de votre outil électroportatif. Veuillez mémoriser les symboles et leur signification. L'interprétation correcte des symboles vous permettra de mieux utiliser votre outil électroportatif et en toute sécurité.

### Symboles et leur signification



Le protocole des données est activé dans cet outil électroportatif.



Outil électroportatif connecté avec technologie *Bluetooth*<sup>®</sup> intégrée

## Description des prestations et du produit



**Lisez attentivement toutes les instructions et consignes de sécurité.** Le non-respect des instructions et consignes de sécurité peut provoquer un choc électrique, un incendie et/ou entraîner de graves blessures.

Référez-vous aux illustrations qui se trouvent à l'avant de la notice d'utilisation.

### Utilisation conforme

Cet outil électroportatif est destiné aux travaux de perforation dans le béton, la brique et la pierre naturelle ainsi qu'aux travaux de burinage légers. Il convient aussi pour les perçages sans percussion dans le bois, le métal, la céramique et les matières plastiques. Les outils électroportatifs avec régulation électronique et réversibilité rotation droite/gauche sont également appropriés pour le vissage.

Le module *Bluetooth*<sup>®</sup> Low Energy intégré permet de transmettre les données et les réglages de l'outil électroportatif à un appareil mobile par voie radio au moyen de la technologie *Bluetooth*<sup>®</sup>.

### Éléments constitutifs

La numérotation des éléments de l'appareil se réfère à la représentation de l'outil électroportatif sur la page graphique.

- (1) Mandrin SDS plus
- (2) Porte-outil SDS plus
- (3) Capuchon anti-poussière
- (4) Bague de verrouillage
- (5) Bouton de réglage de butée de profondeur
- (6) Bouton de déverrouillage du sélecteur stop de rotation/stop de frappe
- (7) Sélecteur stop de rotation/stop de frappe
- (8) Sélecteur de sens de rotation
- (9) Interrupteur Marche/Arrêt
- (10) Poignée (surface de préhension isolée)
- (11) Accu<sup>a)</sup>
- (12) LED d'éclairage

- (13) Poignée supplémentaire (surface de préhension isolée)
- (14) Butée de profondeur
- (15) Écran de contrôle
- (16) Bouton de déverrouillage d'accu<sup>a)</sup>
- (17) Affichage État de l'outil électroportatif (écran de contrôle)
- (18) Indicateur d'état de charge de l'accu (écran de contrôle)
- (19) Affichage arrêt rapide (écran de contrôle)
- (20) Touche de sélection de mode de travail (écran de contrôle)
- (21) Affichage smartphone (écran de contrôle)
- (22) Affichage Modes de travail (écran de contrôle)
- (23) Affichage de température (écran de contrôle)
- (24) Porte-outil universel avec emmanchement SDS plus<sup>a)</sup>

a) Les accessoires décrits ou illustrés ne sont pas tous compris dans la fourniture. Vous trouverez les accessoires complets dans notre gamme d'accessoires.

### Caractéristiques techniques

Perforateur sans-fil		GBH 187-LI
Référence		<b>3 611 J23 0..</b>
Tension nominale	V=	18
Régime nominal		
– Rotation droite	tr/min	0–980
– Rotation gauche	tr/min	0–980
Fréquence de frappe <sup>A)</sup>	min <sup>-1</sup>	0–4 350
Force de frappe selon EPTA-Procédure 05:2016	J	2,4
Porte-outil		SDS plus
Ø de perçage maxi		
– Béton <sup>B)</sup>	mm	24
– Acier	mm	13
– Bois	mm	30
Poids selon EPTA-Procédure 01:2014 <sup>C)</sup>	kg	3,4–4,3
Températures ambiantes recommandées pour la charge	°C	0 ... +35
Températures ambiantes autorisées pendant l'utilisation <sup>D)</sup> et pour le stockage	°C	–20 ... +50
Accus recommandés		GBA 18V... (≥ 4,0 Ah) ProCORE18V 8.0Ah/12.0Ah
Chargeurs recommandés		GAL 18... GAX 18... GAL 36...

**Perforateur sans-fil GBH 187-LI****Transmission de données**

Bluetooth®		Bluetooth® 4.2 (Low Energy) <sup>E)</sup>
Portée maximale du signal	m	30 <sup>F)</sup>
Plage de fréquences utilisée	MHz	2 400–2 483,5
Puissance de sortie	mW	< 1

**Alimentation en énergie du module Bluetooth® Low Energy**

Pile bouton		Pile au lithium de 3 V, CR 2450
Durée de vie approx. de la pile bouton	Années	5

- A) Mesuré à 20–25 °C avec accu **ProCORE18V 12.0Ah**.
- B) Performances optimales pour diamètres de perçage **6–14 mm**
- C) Dépend de l'accu utilisé
- D) Performances réduites à des températures <0 °C
- E) Les périphériques mobiles (smartphones, tablettes) doivent être compatibles avec la technologie *Bluetooth®* Low Energy (version 4.2) et prendre en charge le profil GAP (Generic Access Profile).
- F) La portée peut varier sensiblement selon les conditions extérieures et le type de périphérique mobile utilisé. Dans une pièce fermée et à travers des barrières métalliques (par exemple cloisons murales, étagères, coffres, etc.), la portée du *Bluetooth®* peut se trouver fortement réduite.

## Accu

**Bosch** vend ses outils électroportatifs sans-fil aussi sans accu. Il est indiqué sur l'emballage si un accu est fourni ou non avec l'outil électroportatif.

### Recharge de l'accu

- **N'utilisez que les chargeurs indiqués dans les Caractéristiques techniques.** Seuls ces chargeurs sont adaptés à l'accu Lithium-Ion de votre outil électroportatif.

**Remarque :** Les dispositions internationales en vigueur pour le transport de marchandises obligent à livrer les accus Lithium-Ion partiellement chargés. Pour que les accus soient pleinement performants, chargez-les complètement avant leur première utilisation.

### Mise en place de l'accu

Insérez l'accu dans le compartiment à accu jusqu'à ce qu'il s'enclenche.



### Retrait de l'accu

Pour retirer l'accu, appuyez sur le bouton de déverrouillage de l'accu et sortez l'accu de l'outil électroportatif. **Ne forcez pas.**

L'accu dispose d'un double verrouillage permettant d'éviter qu'il tombe si vous appuyez par mégarde sur le bouton de déverrouillage d'accu. Tant que l'accu est en place dans l'outil électroportatif, un ressort le maintient en position.

## Indicateur de niveau de charge de l'accu

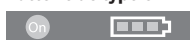
Les LED vertes de l'indicateur d'état de charge indiquent le niveau de charge de la batterie. Pour des raisons de sécurité, il n'est possible d'afficher l'état de charge que quand l'outil électroportatif est à l'arrêt.

Pour afficher le niveau de charge, appuyez sur le bouton de l'indicateur de niveau de charge  ou . L'affichage du niveau de charge est également possible après retrait de l'accu.

Si aucune LED ne s'allume après avoir appuyé sur le bouton de l'indicateur de niveau de charge, la batterie est défectueuse et doit être remplacée.

Le niveau de charge de l'accu est également affiché sur l'écran de contrôle Affichages d'état.

### Batterie de type GBA 18V...



LED	Capacité
Allumage permanent en vert de 3 LED	60–100 %
Allumage permanent en vert de 2 LED	30–60 %
Allumage permanent en vert de 1 LED	5–30 %
Clignotement en vert de 1 LED	0–5 %

### Batterie de type ProCORE18V...



LED	Capacité
Allumage permanent en vert de 5 LED	80–100 %
Allumage permanent en vert de 4 LED	60–80 %
Allumage permanent en vert de 3 LED	40–60 %
Allumage permanent en vert de 2 LED	20–40 %
Allumage permanent en vert de 1 LED	5–20 %
Clignotement en vert de 1 LED	0–5 %

## Indications pour une utilisation optimale de la batterie

Protégez l'accu de l'humidité et de l'eau.

Ne stockez l'accu que dans la plage de températures de –20 à 50 °C. Ne laissez par ex. pas l'accu dans une voiture en plein été.

Nettoyez de temps en temps les orifices de ventilation de l'accu à l'aide d'un pinceau doux, propre et sec.

Une baisse notable de l'autonomie de l'accu au fil des recharges effectuées indique que l'accu est arrivé en fin de vie et qu'il doit être remplacé.

Respectez les indications concernant l'élimination.

## Montage

- **Retirez l'accu de l'appareil électroportatif avant toute intervention (opérations d'entretien/de maintenance,**

changement d'accessoire, etc.) ainsi que lors de son transport et rangement. Il y a sinon risque de blessure lorsqu'on appuie par mégarde sur l'interrupteur Marche/Arrêt.

### Poignée supplémentaire

- **N'utilisez pas l'outil électroportatif sans la poignée supplémentaire (13).**
- **Assurez-vous que la poignée supplémentaire est bien serrée.** Vous risquez sinon de perdre le contrôle de l'outil électroportatif.

### Pivotement de la poignée supplémentaire (voir figure A)

La poignée supplémentaire (13) peut être orientée dans n'importe quelle position, pour obtenir une position de travail sûre et peu fatigante.

- Tournez la poignée supplémentaire (13) dans le sens antihoraire et orientez la poignée supplémentaire (13) dans la position souhaitée. Resserez ensuite la poignée supplémentaire (13) en la tournant dans le sens horaire. Veillez à ce que le collier de serrage de la poignée supplémentaire se trouve bien dans la rainure du carter prévue à cet effet.

### Changement d'accessoire

Le capuchon anti-poussière (3) empêche dans une large mesure la poussière de pénétrer dans le porte-outil pendant l'utilisation de l'outil électroportatif. Lors du montage de l'accessoire de travail, veillez à ne pas endommager le capuchon anti-poussière (3).

- **Remplacez immédiatement le capuchon anti-poussière s'il est endommagé. Il est recommandé de faire effectuer ce travail dans un centre de service après-vente.**

### Changement d'accessoire (SDS plus)

#### Montage d'un accessoire de travail SDS-plus (voir figure B1)

Le mandrin SDS-plus permet de remplacer l'accessoire de travail facilement et confortablement sans avoir à utiliser de clé supplémentaire.

- Nettoyez l'extrémité de l'accessoire, et graissez-la légèrement.
- Introduisez l'accessoire de travail dans le porte-outil en le tournant jusqu'à ce qu'il se verrouille automatiquement.
- Tirez sur l'accessoire pour vérifier qu'il est bien bloqué.

Avec ce système de fixation, l'accessoire de travail SDS-plus dispose d'une certaine mobilité. Il en résulte lors de la rotation à vide une excentricité qui n'a cependant aucun effet sur l'exactitude du perçage puisque le foret se centre automatiquement pendant le perçage.

#### Démontage d'un accessoire de travail SDS-plus (voir figure B2)

- Poussez la bague de verrouillage (4) vers l'arrière et sortez l'accessoire de travail.

### Aspiration de poussières/de copeaux

Les poussières de matériaux tels que peintures contenant du plomb, certains bois, minéraux ou métaux, peuvent être nuisibles à la santé. Entrer en contact ou aspirer les poussières peut entraîner des réactions allergiques et/ou des maladies respiratoires auprès de l'utilisateur ou de personnes se trouvant à proximité.

Certaines poussières telles que les poussières de chêne ou de hêtre sont considérées comme cancérigènes, surtout en association avec des additifs pour le traitement du bois (chromate, lazure). Les matériaux contenant de l'amiante ne doivent être travaillés que par des personnes qualifiées.

- Veillez à bien aérer la zone de travail.
- Il est recommandé de porter un masque respiratoire avec un niveau de filtration de classe P2.

Respectez les règlements spécifiques aux matériaux à traiter en vigueur dans votre pays.

- **Évitez toute accumulation de poussières sur le lieu de travail.** Les poussières peuvent facilement s'enflammer.

## Fonctionnement

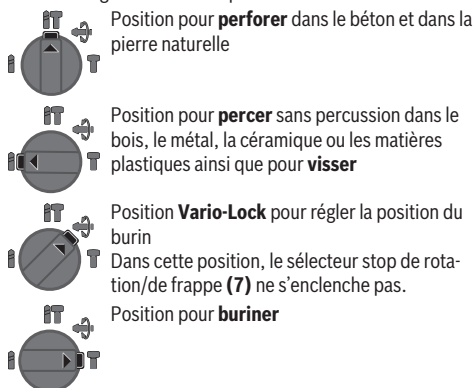
### Mise en marche

#### Sélection d'un mode de fonctionnement

Sélectionnez le mode de fonctionnement voulu de l'outil électroportatif avec le sélecteur stop de rotation/de frappe (7).

- Pour changer de mode de fonctionnement, appuyez sur le bouton de déverrouillage (6) et tournez le sélecteur stop de rotation/de frappe (7) dans la position voulue jusqu'à ce qu'il s'enclenche.

**Remarque :** ne changez de mode de fonctionnement que lorsque l'outil électroportatif est éteint ! Vous risqueriez d'endommager l'outil électroportatif.



#### Sélection du sens de rotation (voir figure C)

Le sélecteur de sens de rotation (8) permet d'inverser le sens de rotation de l'outil électroportatif. Cela n'est toutefois pas possible lorsque l'on appuie sur l'interrupteur Marche/Arrêt (9).

► **N'actionnez le sélecteur de sens de rotation (8) que quand l'outil électroportatif est à l'arrêt.**

Sélectionnez toujours la rotation droite pour les travaux de perforation, perçage et burinage.

- **Rotation droite** : Pour percer et visser, poussez le sélecteur de sens de rotation (8) jusqu'en butée vers la gauche.
- **Rotation gauche** : Pour desserrer ou dévisser des vis et des écrous, poussez le sélecteur de sens de rotation (8) à fond vers la droite.

**Mise en marche/arrêt**

- Pour **mettre en marche** l'outil électroportatif, appuyez sur l'interrupteur Marche/Arrêt (9).

La LED (12) s'allume dès que l'interrupteur Marche/Arrêt (9) est enfoncé légèrement ou complètement. Elle permet d'éclairer la zone de travail dans les endroits sombres.

- Pour **arrêter** l'outil électroportatif, relâchez l'interrupteur Marche/Arrêt (9).

À basses températures, l'outil électroportatif n'atteint sa pleine puissance de percussion/capacité de frappe qu'au bout d'un certain temps.

**Réglage de la vitesse de rotation/de la fréquence de frappe**

Vous pouvez modifier en continu la vitesse de rotation/fréquence de frappe de l'outil électroportatif en jouant sur la pression exercée sur l'interrupteur Marche/Arrêt (9).

Une légère pression sur l'interrupteur Marche/Arrêt (9) produit une faible vitesse de rotation/fréquence de frappe. Plus l'on exerce de pression, plus la vitesse de rotation/la fréquence de frappe augmente.

Vous pouvez aussi régler la vitesse de rotation sur l'écran de contrôle ou via l'application pour smartphone dédiée.

**Changement de la position du burin (Vario-Lock)**

Il est possible de bloquer le burin dans positions. Ceci permet de toujours travailler dans une position optimale.

- Insérez le burin dans le porte-outil.
- Tournez le sélecteur stop de rotation/de frappe (7) dans la position « Vario-Lock ».
- Tournez le burin jusqu'à ce qu'il se trouve dans la position souhaitée.
- Tournez le sélecteur stop de rotation/de frappe (7) dans la position « burinage ». Le porte-outil est alors bloqué.
- Pour buriner, sélectionnez la rotation droite.

**Écran de contrôle (voir figure D)**

L'écran de contrôle (15) sert à la sélection du mode de travail et à l'affichage d'état de l'outil électroportatif.

**Affichages d'état**

Indicateur d'état de charge de l'accu (écran de contrôle) (18)	Signification/cause	Remède
vert (2 à 5 barres)	Accu chargé	–
jaune (1 barre)	Accu presque vide	Changer l'accu ou le recharger sans tarder
rouge (1 barre)	Accu vide	Changer d'accu ou le recharger

Affichage de température (23)	Signification/cause	Remède
Jaune	L'accu ou l'outil électroportatif est en surchauffe, la puissance est réduite	Laisser refroidir l'outil électroportatif ou remplacer l'accu en surchauffe
Rouge	L'accu ou l'outil électroportatif est en surchauffe, l'outil électroportatif s'éteint automatiquement par mesure de protection	Laisser refroidir l'outil électroportatif ou remplacer l'accu en surchauffe

Affichage d'état de l'outil électroportatif (17)	Signification/cause	Remède
Vert	État OK	–
Jaune	Température critique atteinte ou accu presque vide	Laisser refroidir l'outil électroportatif ou bien changer / recharger l'accu
Rouge	Outil électroportatif en surchauffe ou accu vide	Laisser refroidir l'outil électroportatif ou bien changer / recharger l'accu
Rouge	Sélecteur stop de frappe/stop de rotation actionné en cours d'utilisation	Arrêter et remettre en marche l'outil électroportatif

Affichage d'état de l'outil électroportatif (17)	Signification/cause	Remède
	Le moteur est bloqué, l'accu est trop déchargé	Recharger l'accu ou monter le type d'accu recommandé
	Défaut général	<ul style="list-style-type: none"> <li>– Arrêter et remettre en marche l'outil électroportatif ou bien retirer et réinsérer l'accu</li> </ul> Si le défaut persiste : <ul style="list-style-type: none"> <li>– Envoyer l'outil au service après-vente</li> </ul>
Rouge clignotant – en combinaison avec l'affichage arrêt rapide (19)	Entrée en action du dispositif d'arrêt rapide	Arrêter et remettre en marche l'outil électroportatif
Bleu clignotant	Outil électroportatif connecté à un appareil mobile via <i>Bluetooth</i> <sup>®</sup> ou réglages en cours de transmission	–

Affichage d'état smartphone (21)	Signification/cause	Remède
Blanc	Des informations importantes sont disponibles (p. ex. alerte de température)	Lire le message sur le smartphone

### Sélection du mode de travail

Actionnez de façon répétée la touche (20) jusqu'à ce que le mode de travail souhaité soit éclairé.

**Remarque :** Dans le mode de travail **Favorite**, les fonctions doivent être configurées sur le smartphone via une application dédiée ; dans le mode **Auto**, les fonctions sont pré-réglées.

Affichage mode de travail (22)	Fonctions
<b>Auto</b> s'allume	Dans le mode de travail <b>Auto</b> , l'outil électroportatif fonctionne à pleine puissance. <ul style="list-style-type: none"> <li>– 100 % du régime maximal</li> <li>– Arrêt rapide (Kickback Control)</li> </ul>
<b>Favorite</b> s'allume	Dans le mode de travail <b>Favorite</b> , l'outil électroportatif peut être configuré de manière personnalisée sur un smartphone, via une application dédiée. <ul style="list-style-type: none"> <li>– Plusieurs vitesses de rotation sont configurables pour différentes applications : vitesse de rotation faible/moyenne/élevée (100 % du régime maximal)</li> </ul>

### Instructions d'utilisation

- ▶ **En présence du module *Bluetooth*<sup>®</sup> Low Energy , l'outil électroportatif est doté d'une interface radio. Observez les restrictions d'utilisation locales en vigueur, par ex. dans les avions ou dans les hôpitaux.**
- ▶ **Dans les espaces/locaux où il est interdit d'utiliser la technologie *Bluetooth*<sup>®</sup>, vous devez désactiver le module *Bluetooth*<sup>®</sup> Low Energy via l'application mobile.**

#### Réglage de la profondeur de perçage (voir figure E)

La butée de profondeur (14) permet de régler la profondeur de perçage X désirée.

- Appuyez sur le bouton de réglage de butée de profondeur (5) et insérez la butée de profondeur dans la poignée supplémentaire (13).  
Le striage de la butée de profondeur (14) doit être orienté vers le bas.

- Poussez à fond l'accessoire de travail SDS-plus dans le porte-outil SDS-plus (2). Si l'accessoire SDS-plus n'est pas poussé à fond, le réglage de la profondeur de perçage risque d'être faussé.
- Tirez la butée de profondeur jusqu'à ce que l'écart entre la pointe du foret et la pointe de la butée de profondeur corresponde à la profondeur de perçage X souhaitée.

#### Débrayage de sécurité

- ▶ **Dès que l'accessoire de travail se coince ou qu'il s'accroche, l'entraînement de la broche est interrompu. En raison des forces intervenant, tenez toujours l'outil électroportatif fermement avec les deux mains et ayez une position ferme.**
- ▶ **Si l'outil électroportatif est bloqué, éteignez-le et desserrez l'outil de travail. Lorsqu'on met l'appareil en**

**marche, l'outil de travail étant bloqué, il peut y avoir de fortes réactions.**

#### Arrêt rapide (Kickback Control)



Le dispositif d'arrêt rapide (Kickback Control) améliore la maîtrise de l'outil électroportatif et donc la sécurité d'utilisation par rapport aux outils électroportatifs sans Kickback Control. L'outil électroportatif s'arrête immédiatement dès qu'il se met subitement, et de façon imprévisible, à tourner autour de l'axe du foret, l'affichage Arrêt rapide (Kickback Control) (19) s'allume et la LED d'éclairage (12) clignote. Quand l'arrêt rapide (Kickback Control) est actif, l'affichage d'état (17) clignote en rouge.

- Pour **remettre en marche** l'outil électroportatif, relâchez l'interrupteur Marche/Arrêt (9) et actionnez-le à nouveau.

#### Montage des embouts de vissage (voir figure F)

- **Positionnez l'outil électroportatif sur la vis/sur l'écrou seulement lorsqu'il est à l'arrêt.** Un accessoire en rotation risque de glisser.

L'utilisation d'embouts de vissage nécessite de disposer d'un porte-outil universel (24) avec mécanisme de fixation SDS-plus (accessoire).

- Nettoyez l'emmanchement du dispositif de fixation et graissez-le légèrement.
- Enfoncez le porte-outil universel en le tournant dans le porte-outil jusqu'à ce qu'il verrouille automatiquement.
- Contrôlez qu'il est bien verrouillé en tirant sur le porte-outil universel.
- Mettez un embout de vissage dans le porte-outil universel. N'utilisez que des embouts de vissage appropriés à la tête de vis que vous voulez utiliser.
- Pour démonter le porte-outil universel, poussez la bague de verrouillage (4) vers l'arrière et retirez le porte-outil universel (24) du porte-outil.

## Fonctions de connectivité

### Prérequis pour l'utilisation de l'application

#### Prérequis système

Appareil mobile (tablette, smartphone)	Android 5.1 (ou version ultérieure)
	iOS 10 (ou version ultérieure)

### Installation de l'application mobile

Pour pouvoir utiliser les fonctions de connectivité, vous devez d'abord installer l'application mobile conçue pour votre appareil mobile (Android ou iOS).

- Téléchargez l'application sur la plateforme dédiée (Apple App Store ou Google Play Store).

**Remarque :** Pour ce faire, vous devez disposer d'un

compte utilisateur donnant accès à la plateforme de téléchargement.

#### Nom de l'application

Bosch Toolbox



#### Nom de l'application

Bosch BeConnected



- Sélectionnez ensuite dans l'application le sous-menu **My-Tools** ou **Connectivité**.
- Sur l'écran de votre appareil mobile (smartphone, tablette) sont alors indiquées toutes les étapes à suivre pour connecter l'outil électroportatif à l'appareil mobile.

### Transmission de données via Bluetooth®

Le module *Bluetooth*® Low Energy intégré envoie à intervalles réguliers un signal. L'outil électroportatif n'est parfois reconnu qu'après l'envoi de plusieurs signaux (dépend de l'environnement). Si l'outil électroportatif n'est pas reconnu, vérifiez les points suivants :

- La distance par rapport à l'appareil mobile est-elle trop grande ? Réduisez la distance entre l'appareil mobile et l'outil électroportatif.
- La pile bouton du module *Bluetooth*® Low Energy intégré est-elle encore bonne ? A-t-elle une tension suffisante ? Pour remplacer la pile bouton, adressez-vous à un centre de Service Après-Vente agréé pour outillage électroportatif Bosch.
- Désactivez puis réactivez le *Bluetooth*® sur votre appareil mobile. Vérifiez si l'outil électroportatif est maintenant détecté.

### Fonctions disponibles avec l'outil électroportatif

En combinaison avec le module *Bluetooth*® Low Energy, les fonctions de connectivité suivantes sont disponibles pour l'outil électroportatif :

- Enregistrement et personnalisation
- Vérification d'état, émission d'avertissements
- Informations générales et réglages
- Gestion
- Adaptation des paramètres de transmission *Bluetooth*® pour le mode **Favorite**

## Entretien et Service après-vente

### Nettoyage et entretien

- ▶ **Retirez l'accu de l'appareil électroportatif avant toute intervention (opérations d'entretien/de maintenance, changement d'accessoire, etc.) ainsi que lors de son transport et rangement.** Il y a sinon risque de blessure lorsqu'on appuie par mégarde sur l'interrupteur Marche/ Arrêt.
- ▶ **Tenez toujours propres l'outil électroportatif ainsi que les fentes de ventilation afin d'obtenir un travail impeccable et sûr.**
- ▶ **Remplacez immédiatement le capuchon anti-poussière s'il est endommagé. Il est recommandé de faire effectuer ce travail dans un centre de service après-vente.**
  - Nettoyez le porte-outil (2) après chaque utilisation.

### Remplacement de la pile bouton intégrée

Le module *Bluetooth*® Low Energy contient une pile bouton. L'application **Bosch Toolbox** vous informe quand la pile bouton est trop faible ou vide. Le remplacement de la pile doit être confié à Bosch ou à un point de service après-vente agréé pour outillage électroportatif Bosch.

- ▶ **Attention : Remplacez toujours la pile bouton par une pile bouton du même type.** Il y a sinon risque d'explosion.
- ▶ **Retirez les piles boutons déchargées et éliminez-les en respectant la législation en vigueur.** Les piles boutons déchargées peuvent se mettre à fuir et détériorer le produit ou blesser des personnes.

### Service après-vente et conseil utilisateurs

Notre Service après-vente répond à vos questions concernant la réparation et l'entretien de votre produit et les pièces de rechange. Vous trouverez des vues éclatées et des informations sur les pièces de rechange sur le site :

**www.bosch-pt.com**

L'équipe de conseil utilisateurs Bosch se tient à votre disposition pour répondre à vos questions concernant nos produits et leurs accessoires.

Pour toute demande de renseignement ou toute commande de pièces de rechange, précisez impérativement la référence à 10 chiffres figurant sur l'étiquette signalétique du produit.

#### Maroc

Robert Bosch Morocco SARL  
53, Rue Lieutenant Mahroud Mohamed  
20300 Casablanca  
Tel.: +212 5 29 31 43 27  
E-Mail : sav.outillage@ma.bosch.com

**Vous trouverez d'autres adresses du service après-vente sous :**

[www.bosch-pt.com/serviceaddresses](http://www.bosch-pt.com/serviceaddresses)

### Transport

Les accus Lithium-ion recommandés sont soumis à la réglementation relative au transport de matières dangereuses. Pour le transport sur route par l'utilisateur, aucune autre mesure n'a besoin d'être prise.

Lors d'une expédition par un tiers (par ex. transport aérien ou entreprise de transport), des mesures spécifiques doivent être prises concernant l'emballage et le marquage. Pour la préparation de l'envoi, faites-vous conseiller par un expert en transport de matières dangereuses.

N'expédiez que des accus dont le boîtier n'est pas endommagé. Recouvrez les contacts non protégés et emballez l'accu de manière à ce qu'il ne puisse pas se déplacer dans l'emballage. Veuillez également respecter les réglementations supplémentaires éventuellement en vigueur.

### Élimination des déchets



Les outils électroportatifs, les accus ainsi que leurs accessoires et emballages doivent être rapportés dans un centre de recyclage respectueux de l'environnement.



Ne jetez pas les outils électroportatifs et les accus/piles avec les ordures ménagères !

#### Accus/piles :

##### Li-Ion :

Veuillez respecter les indications se trouvant dans le chapitre Transport (voir « Transport », Page 24).

## Portuguais

### Instruções de segurança

#### Instruções gerais de segurança para ferramentas eléctricas

##### AVISO

**Devem ser lidas todas as indicações de segurança,**

**instruções, ilustrações e especificações desta ferramenta eléctrica.** O desrespeito das instruções apresentadas abaixo poderá resultar em choque eléctrico, incêndio e/ou ferimentos graves.

##### Guardie bem todas as advertências e instruções para futura referência.

O termo "ferramenta eléctrica" utilizado a seguir nas indicações de advertência, refere-se a ferramentas eléctricas operadas com corrente de rede (com cabo de rede) e a ferramentas eléctricas operadas com acumulador (sem cabo de rede).



### Segurança da área de trabalho

- ▶ **Mantenha a sua área de trabalho sempre limpa e bem iluminada.** Desordem ou áreas de trabalho insuficientemente iluminadas podem levar a acidentes.
- ▶ **Não trabalhar com a ferramenta eléctrica em áreas com risco de explosão, nas quais se encontrem líquidos, gases ou pós inflamáveis.** Ferramentas eléctricas produzem faíscas, que podem inflamar pós ou vapores.
- ▶ **Manter crianças e outras pessoas afastadas da ferramenta eléctrica durante a utilização.** No caso de distração é possível que perca o controlo sobre o aparelho.

### Segurança eléctrica

- ▶ **A ficha de conexão da ferramenta eléctrica deve caber na tomada. A ficha não deve ser modificada de maneira alguma. Não utilizar uma ficha de adaptação junto com ferramentas eléctricas protegidas por ligação à terra.** Fichas não modificadas e tomadas apropriadas reduzem o risco de um choque eléctrico.
- ▶ **Evitar que o corpo possa entrar em contacto com superfícies ligadas à terra, como tubos, aquecimentos, fogões e frigoríficos.** Há um risco elevado devido a um choque eléctrico, se o corpo estiver ligado à terra.
- ▶ **Manter o aparelho afastado de chuva ou humidade.** A infiltração de água numa ferramenta eléctrica aumenta o risco de choque eléctrico.
- ▶ **Não deverá utilizar o cabo para outras finalidades. Nunca utilizar o cabo para transportar a ferramenta eléctrica, para pendurá-la, nem para puxar a ficha da tomada. Manter o cabo afastado do calor, do óleo, de arestas afiadas ou de peças em movimento.** Cabos danificados ou emaranhados aumentam o risco de um choque eléctrico.
- ▶ **Se trabalhar com uma ferramenta eléctrica ao ar livre, só deverá utilizar cabos de extensão apropriados para áreas exteriores.** A utilização de um cabo de extensão apropriado para áreas exteriores reduz o risco de um choque eléctrico.
- ▶ **Se não for possível evitar o funcionamento da ferramenta eléctrica em áreas húmidas, deverá ser utilizado um disjuntor de corrente de avaria.** A utilização de um disjuntor de corrente de avaria reduz o risco de um choque eléctrico.

### Segurança de pessoas

- ▶ **Esteja atento, observe o que está a fazer e tenha prudência ao trabalhar com a ferramenta eléctrica. Não utilizar uma ferramenta eléctrica quando estiver fatigado ou sob a influência de drogas, álcool ou medicamentos.** Um momento de descuido ao utilizar a ferramenta eléctrica, pode levar a lesões graves.
- ▶ **Utilizar equipamento de protecção individual. Utilizar sempre óculos de protecção.** A utilização de equipamento de protecção pessoal, como máscara de protecção contra pó, sapatos de segurança

antiderrapantes, capacete de segurança ou protecção auricular, de acordo com o tipo e aplicação da ferramenta eléctrica, reduz o risco de lesões.

- ▶ **Evitar uma colocação em funcionamento involuntária. Assegure-se de que a ferramenta eléctrica esteja desligada, antes de conectá-la à alimentação de rede e/ou ao acumulador, antes de levantá-la ou de transportá-la.** Se tiver o dedo no interruptor ao transportar a ferramenta eléctrica ou se o aparelho for conectado à alimentação de rede enquanto estiver ligado, poderão ocorrer acidentes.
- ▶ **Remover ferramentas de ajuste ou chaves de boca antes de ligar a ferramenta eléctrica.** Uma ferramenta ou chave que se encontre numa parte do aparelho em movimento pode levar a lesões.
- ▶ **Evite uma posição anormal. Mantenha uma posição firme e mantenha sempre o equilíbrio.** Desta forma é mais fácil controlar a ferramenta eléctrica em situações inesperadas.
- ▶ **Usar roupa apropriada. Não usar roupa larga nem jóias. Mantenha os cabelos e roupas afastados de peças em movimento.** Roupas frouxas, cabelos longos ou jóias podem ser agarrados por peças em movimento.
- ▶ **Se for possível montar dispositivos de aspiração ou de recolha, assegure-se de que estejam conectados e utilizados correctamente.** A utilização de uma aspiração de pó pode reduzir o perigo devido ao pó.
- ▶ **Não deixe que a familiaridade resultante de uma utilização frequente de ferramentas permita que você se torne complacente e ignore os princípios de segurança da ferramenta.** Uma acção descuidada pode causar ferimentos graves numa fracção de segundo.

### Utilização e manuseio cuidadoso de ferramentas eléctricas

- ▶ **Não sobrecarregue a ferramenta eléctrica. Utilize a ferramenta eléctrica apropriada para o seu trabalho.** É melhor e mais seguro trabalhar com a ferramenta eléctrica apropriada na área de potência indicada.
- ▶ **Não utilizar uma ferramenta eléctrica com um interruptor defeituoso.** Uma ferramenta eléctrica que não pode mais ser ligada nem desligada, é perigosa e deve ser reparada.
- ▶ **Puxar a ficha da tomada e/ou remover o acumulador, se amovível, antes de executar ajustes na ferramenta eléctrica, de substituir acessórios ou de guardar as ferramentas eléctricas.** Esta medida de segurança evita o arranque involuntário da ferramenta eléctrica.
- ▶ **Guardar ferramentas eléctricas não utilizadas fora do alcance de crianças e não permitir que as pessoas que não estejam familiarizadas com o aparelho ou que não tenham lido estas instruções utilizem o aparelho.** Ferramentas eléctricas são perigosas se forem utilizadas por pessoas inexperientes.
- ▶ **Tratar a ferramenta eléctrica e os acessórios com cuidado. Controlar se as partes móveis do aparelho funcionam perfeitamente e não emperram, e se há**

**peças quebradas ou danificadas que possam prejudicar o funcionamento da ferramenta eléctrica. Permitir que peças danificadas sejam reparadas antes da utilização.** Muitos acidentes têm como causa, a manutenção insuficiente de ferramentas eléctricas.

- ▶ **Manter as ferramentas de corte afiadas e limpas.** Ferramentas de corte cuidadosamente tratadas e com cantos de corte afiados emperram com menos frequência e podem ser conduzidas com maior facilidade.
- ▶ **Utilizar a ferramenta eléctrica, acessórios, ferramentas de aplicação, etc. conforme estas instruções. Considerar as condições de trabalho e a tarefa a ser executada.** A utilização de ferramentas eléctricas para outras tarefas a não ser as aplicações previstas, pode levar a situações perigosas.
- ▶ **Mantenha os punhos e as superfícies de agarrar secas, limpas e livres de óleo e massa consistente.** Punhos e superfícies de agarrar escorregadias não permitem o manuseio e controle seguros da ferramenta em situações inesperadas.

#### **Manuseio e utilização cuidadosos de ferramentas com acumuladores**

- ▶ **Só carregar acumuladores em carregadores recomendados pelo fabricante.** Há perigo de incêndio se um carregador apropriado para um certo tipo de acumuladores for utilizado para carregar acumuladores de outros tipos.
- ▶ **Só utilizar ferramentas eléctricas com os acumuladores apropriados.** A utilização de outros acumuladores pode levar a lesões e perigo de incêndio.
- ▶ **Manter o acumulador que não está sendo utilizado afastado de cliques, moedas, chaves, parafusos ou outros pequenos objectos metálicos que possam causar um curto-circuito dos contactos.** Um curto-circuito entre os contactos do acumulador pode ter como consequência queimaduras ou fogo.
- ▶ **No caso de aplicação incorrecta pode vaziar líquido do acumulador. Evitar o contacto. No caso de um contacto accidental, deverá enxaguar com água. Se o líquido entrar em contacto com os olhos, também deverá consultar um médico.** Líquido que escapa do acumulador pode levar a irritações da pele ou a queimaduras.
- ▶ **Não use um acumulador ou uma ferramenta danificada ou modificada.** Os acumuladores danificados ou modificados exibem um comportamento imprevisível podendo causar incêndio, explosão ou risco de lesão.
- ▶ **Não exponha o acumulador ou a ferramenta ao fogo ou temperatura excessiva.** A exposição ao fogo ou a temperaturas acima de 130 °C pode causar explosão.
- ▶ **Siga todas as instruções de carregamento e não carregue o acumulador ou a ferramenta fora da faixa de temperatura especificada no manual de instruções.** Carregar indevidamente ou em temperaturas fora da faixa especificada pode danificar o acumulador e aumentar o risco de incêndio.

#### **Serviço**

- ▶ **Só permita que o seu aparelho seja reparado por pessoal especializado e qualificado e só com peças de reposição originais.** Desta forma é assegurado o funcionamento seguro do aparelho.
- ▶ **Nunca tente reparar acumuladores danificados.** A reparação de acumuladores deve ser realizada apenas pelo fabricante ou agentes de assistência autorizados.

#### **Instruções de segurança para martelos**

##### **Instruções de segurança para todas as operações**

- ▶ **Use protetores auditivos.** A exposição ao ruído pode provocar a perda da audição.
- ▶ **Use o(s) punho(s) auxiliar(es), caso seja(m) fornecido(s) com a ferramenta.** A perda de controlo pode resultar em ferimentos pessoais.
- ▶ **Segure a ferramenta eléctrica nas superfícies de agarrar isoladas, ao executar uma operação onde acessórios de corte ou os parafusos possam entrar em contacto com cabos escondidos.** Se o acessório de corte e os parafusos entrarem em contacto com um fio "sob tensão", as partes metálicas expostas da ferramenta eléctrica ficam "sob tensão" e podem produzir um choque eléctrico.

##### **Instruções de segurança ao usar brocas longas com martelos perfuradores**

- ▶ **Comece sempre a perfurar a baixa velocidade e com a ponta da broca em contacto com a peça de trabalho.** A velocidades mais altas, a broca pode dobrar-se ao rodar livremente sem entrar em contacto com a peça de trabalho, causando ferimento pessoal.
- ▶ **Aplique pressão apenas em linha directa com a broca e não aplique pressão excessiva.** As brocas podem dobrar-se, causando rutura ou perda de controlo, ou mesmo ferimento pessoal.

##### **Instruções de segurança adicionais**

- ▶ **Utilizar detetores apropriados, para encontrar cabos escondidos, ou consulte a companhia eléctrica local.** O contacto com cabos eléctricos pode provocar fogo e choques eléctricos. Danos em tubos de gás podem levar à explosão. A infiltração num cano de água provoca danos materiais.
- ▶ **Espere que a ferramenta eléctrica pare completamente, antes de depositá-la.** A ferramenta de aplicação pode emperrar e levar à perda de controlo sobre a ferramenta eléctrica.
- ▶ **Fixar a peça a ser trabalhada.** Uma peça a ser trabalhada fixa com dispositivos de aperto ou com torno de bancada está mais firme do que segurada com a mão.
- ▶ **Em caso de danos e de utilização incorrecta da bateria, podem escapar vapores. A bateria pode incendiar-se ou explodir.** Areje o espaço e procure assistência médica no caso de apresentar queixas. É possível que os vapores irrite as vias respiratórias.
- ▶ **Não abrir o acumulador.** Há risco de um curto-circuito.

- ▶ **Os objetos afiados como, p. ex., pregos ou chaves de fendas, assim como o efeito de forças externas podem danificar o acumulador.** Podem causar um curto-circuito interno e o acumulador pode ficar queimado, deitar fumo, explodir ou sobreaquecer.
- ▶ **Use a bateria apenas em produtos do fabricante.** Só assim é que a bateria é protegida contra sobrecarga perigosa.



**Proteger a bateria contra calor, p. ex. também contra uma permanente radiação solar, fogo, sujidade, água e humidade.** Há risco de explosão ou de um curto-circuito.



- ▶ **Logo a seguir à operação não toque nos acessórios ou em peças da carcaça adjacentes.** Estes podem ficar muito quentes durante a operação e causar queimaduras.
- ▶ **O acessório pode bloquear durante a perfuração.** Durante o trabalho, providencie uma estabilidade segura e segure o aparelho com as duas mãos. Caso contrário poderá perder o controlo sobre a ferramenta elétrica.
- ▶ **Tenha cuidado nos trabalhos de demolição com o cinzel.** Fragmentos do material de demolição podem ferir pessoas à volta ou a própria pessoa.
- ▶ **Durante o trabalho, segure a ferramenta elétrica com as duas mãos e providencie uma estabilidade segura.** A ferramenta elétrica é conduzida com maior segurança com ambas as mãos.



**AVISO**



**Mantenha a pilha botão afastada de crianças.** As pilhas botão são perigosas.

- ▶ **As pilhas botão não podem nunca ser engolidas ou introduzidas em qualquer orifício corporal. Se suspeitar que a pilha botão foi engolida ou introduzida em qualquer orifício corporal, procure imediatamente um médico.** Engolir uma pilha botão pode causar queimaduras químicas internas graves num espaço de 2 horas e causar a morte.
- ▶ **Ao substituir a pilha botão, certifique-se de que procede corretamente.** Há risco de explosão.
- ▶ **Utilize apenas as pilhas botão mencionadas neste manual de instruções.** Não utilize outras pilhas botão ou outra alimentação de energia.
- ▶ **Não tente recarregar pilhas botão e não corte-circuite a pilha botão.** A pilha botão pode perder a estanqueidade, explodir, queimar e ferir pessoas.
- ▶ **Elimine as pilhas botão descarregadas de forma correta.** As pilhas botão podem perder a estanqueidade e, conseqüentemente, danificar o produto ou ferir pessoas.

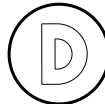
- ▶ **Não sobreaqueça a pilha botão e não a mande para o fogo.** A pilha botão pode perder a estanqueidade, explodir, queimar e ferir pessoas.
- ▶ **Não danifique a pilha botão e não a desmonte.** A pilha botão pode perder a estanqueidade, explodir, queimar e ferir pessoas.
- ▶ **Não deixe uma pilha botão danificada entrar em contacto com água.** O lítio que sai da pilha pode formar hidrogénio em contacto com a água e causar incêndio, explosão ou ferimentos em pessoas.
- ▶ **Cuidado! A utilização da ferramenta elétrica com Bluetooth® pode dar origem a avarias noutros aparelhos e instalações, aviões e dispositivos médicos (p. ex. pacemakers, aparelhos auditivos). Do mesmo modo, não é possível excluir totalmente danos para pessoas e animais que se encontrem nas proximidades imediatas. Não utilize a ferramenta elétrica com Bluetooth® na proximidade de dispositivos médicos, postos de abastecimento de combustível, instalações químicas, áreas com perigo de explosão e zonas de demolição. Não utilize a ferramenta elétrica com Bluetooth® em aviões. Evite a operação prolongada em contacto direto com o corpo.**

A marca nominativa *Bluetooth®* tal como o símbolo (logótipo), são marcas registadas e propriedade da Bluetooth SIG, Inc. Qualquer utilização desta marca nominativa/deste símbolo por parte da Robert Bosch Power Tools GmbH possui a devida autorização.

## Símbolos

Os seguintes símbolos podem ser importantes para a utilização da sua ferramenta elétrica. Os símbolos e os seus significados devem ser memorizados. A interpretação correta dos símbolos facilita a utilização segura e aprimorada da ferramenta elétrica.

### Símbolos e seus significados



O registo de dados está ativado nesta ferramenta elétrica.



Ferramenta elétrica ligada em rede com tecnologia *Bluetooth®* integrada

## Descrição do produto e do serviço



**Leia todas as instruções de segurança e instruções.** A inobservância das instruções de segurança e das instruções pode causar choque elétrico, incêndio e/ou ferimentos graves.

Respeite as figuras na parte da frente do manual de instruções.

### Utilização adequada

A ferramenta elétrica é destinada para furar com martelo em betão, tijolos e pedras, assim como para cinzelar. Também é apropriada para furar sem impacto em madeira, metal, cerâmica e plástico. As ferramentas elétricas com regulação eletrónica e rotação à direita/esquerda também são apropriadas para aparafusar.

Os dados e as definições da ferramenta elétrica são transmitidos do *Bluetooth*<sup>®</sup> Low Energy Module integrado via tecnologia de radiotransmissão *Bluetooth*<sup>®</sup> entre ferramenta elétrica e o aparelho terminal móvel.

### Componentes ilustrados

A numeração dos componentes ilustrados refere-se à apresentação da ferramenta elétrica na página de esquemas.

- (1) Bucha SDS plus
- (2) Encabadouro SDS plus
- (3) Capa de proteção contra pó
- (4) Bucha de travamento
- (5) Tecla para ajuste do batente de profundidade
- (6) Tecla de desbloqueio para interruptor de bloqueio de rotação/impacto
- (7) Interruptor de bloqueio de rotação/impacto
- (8) Comutador do sentido de rotação
- (9) Interruptor de ligar/desligar
- (10) Punho (superfície do punho isolada)
- (11) Bateria<sup>a)</sup>
- (12) Luz de trabalho
- (13) Punho adicional (superfície do punho isolada)
- (14) Batente de profundidade
- (15) Interface de utilizador
- (16) Tecla de desbloqueio da bateria<sup>a)</sup>
- (17) Indicação de estado da ferramenta elétrica (interface de utilizador)
- (18) Indicador do nível de carga da bateria (interface de utilizador)
- (19) Indicação do desligamento rápido (interface de utilizador)
- (20) Tecla para seleção do modo de trabalho (interface de utilizador)
- (21) Indicação Smartphone (interface de utilizador)
- (22) Indicação dos modos de trabalho (interface de utilizador)
- (23) Indicação temperatura (interface de utilizador)
- (24) Suporte universal com encabadouro SDS plus<sup>a)</sup>

a) **Acessórios apresentados ou descritos não pertencem ao volume de fornecimento padrão. Todos os acessórios encontram-se no nosso programa de acessórios.**

### Dados técnicos

Martelo perfurador sem fio	GBH 187-LI	
Número de produto		<b>3 611 J23 0..</b>
Tensão nominal	V=	18
Rotações nominais		
– Rotação à direita	r.p.m.	0–980
– Rotação à esquerda	r.p.m.	0–980
N.º de impactos <sup>A)</sup>	i.p.m.	0–4350
Intensidade de impacto individual conforme EPTA-Procedure 05:2016	J	2,4
Encabadouro		SDS plus
Ø máx. de perfuração		
– Betão <sup>B)</sup>	mm	24
– Aço	mm	13
– Madeira	mm	30
Peso conforme EPTA-Procedure 01:2014 <sup>C)</sup>	kg	3,4–4,3
Temperatura ambiente recomendada durante o carregamento	°C	0 ... +35
Temperatura ambiente admissível em funcionamento <sup>D)</sup> e durante o armazenamento	°C	–20 ... +50
Baterias recomendadas		GBA 18V... (≥4.0 Ah) ProCORE18V 8.0Ah/12.0Ah
Carregadores recomendados		GAL 18... GAX 18... GAL 36...
<b>Transferência de dados</b>		
<i>Bluetooth</i> <sup>®</sup>		<i>Bluetooth</i> <sup>®</sup> 4.2 (Low Energy) <sup>E)</sup>
Alcance máximo do sinal	m	30 <sup>F)</sup>
Faixa de frequência usada	MHz	2400–2483,5
Potência de saída	mW	< 1
<b>Abastecimento de energia <i>Bluetooth</i><sup>®</sup> Low Energy Module</b>		
Pilha botão		Pilha de lítio de 3 V, CR 2450

**Martelo perfurador sem fio GBH 187-Li**

Vida útil da pilha botão Anos 5  
aprox.

- A) Medido a 20–25 °C com bateria **ProCORE18V 12.0Ah**.  
 B) excelente rendimento com diâmetro de perfuração **6–14 mm**  
 C) Dependendo da bateria utilizada  
 D) Potência limitada com temperaturas <0 °C  
 E) Os aparelhos terminais móveis têm de ser compatíveis com os aparelhos Low Energy *Bluetooth*<sup>®</sup> (versão 4.2) e suportar o Generic Access Profile (GAP).  
 F) O raio de ação pode variar substancialmente em função das condições externas, incluindo do aparelho recetor utilizado. Dentro de recintos fechados e através de barreiras metálicas (p. ex. paredes, prateleiras, malas, etc.) o raio de ação do *Bluetooth*<sup>®</sup> pode ser claramente menor.

## Bateria

**Bosch** vende ferramentas elétricas sem fio também sem bateria. Pode consultar na embalagem se está incluída uma bateria no volume de fornecimento da sua ferramenta elétrica.

### Carregar a bateria

- **Utilize apenas os carregadores listados nos dados técnicos.** Só estes carregadores são apropriados para os baterias de lítio utilizadas para a sua ferramenta elétrica.

**Nota:** devido a normas de transporte internacionais, as baterias de lítio são fornecidas parcialmente carregadas. Para assegurar a completa potência da bateria, a bateria deverá ser carregada completamente antes da primeira utilização.

### Colocar a bateria

Insira a bateria carregada no respetivo encaixe, até que esta esteja engatada.



### Retirar a bateria

Para retirar a bateria, pressione a respetiva tecla de desbloqueio e puxe a bateria para fora. **Não empregue força.**

A bateria possui 2 níveis de travamento, que devem evitar, que a bateria caia, caso a tecla de desbloqueio da bateria seja premida por acaso. Enquanto a bateria estiver dentro da ferramenta elétrica, ela é mantida em posição por uma mola.

### Indicador do nível de carga da bateria

Os LEDs verdes do indicador do nível de carga da bateria indicam o nível de carga da bateria. Por motivos de segurança, a consulta do nível de carga só é possível com a ferramenta elétrica parada.

Prima a tecla para o indicador do nível de carga da bateria  ou  para visualizar o nível de carga. Isto também é possível com a bateria removida.

Se, depois de premir a tecla para o indicador do nível de carga da bateria, não se acender qualquer LED, a bateria tem defeito e tem de ser substituída.

O nível de carga da bateria também é indicado na interface do utilizador Indicadores de estado.

### Tipo de bateria GBA 18V...



LED	Capacidade
Luz permanente 3 × verde	60–100 %
Luz permanente 2 × verde	30–60 %
Luz permanente 1 × verde	5–30 %
Luz intermitente 1 × verde	0–5 %

### Tipo de bateria ProCORE18V...



LED	Capacidade
Luz permanente 5 × verde	80–100 %
Luz permanente 4 × verde	60–80 %
Luz permanente 3 × verde	40–60 %
Luz permanente 2 × verde	20–40 %
Luz permanente 1 × verde	5–20 %
Luz intermitente 1 × verde	0–5 %

## Indicações sobre o manuseio ideal da bateria

Proteger a bateria contra humidade e água.

Armazene a bateria apenas na faixa de temperatura de –20 °C a 50 °C. Por exemplo, não deixe a bateria dentro do automóvel no verão.

Limpar de vez em quando as aberturas de ventilação da bateria com um pincel macio, limpo e seco.

Um tempo de funcionamento reduzido após o carregamento indica que a bateria está gasta e que deve ser substituída.

Observe as indicações sobre a eliminação de forma ecológica.

## Montagem

- **A bateria deverá ser retirada antes de todos os trabalhos na ferramenta elétrica (p. ex. manutenção, troca de ferramenta etc.) e antes de transportar ou de armazenar a mesma.** Há perigo de ferimentos se o interruptor de ligar/desligar for acionado involuntariamente.

### Punho adicional

- **Utilize a ferramenta elétrica apenas com o punho adicional (13).**
- **Certifique-se de que o punho adicional está sempre bem apertado.** Caso contrário poderá perder o controlo sobre a ferramenta durante o trabalho.

### Virar o punho adicional (ver figura A)

Pode virar o punho adicional (13) à sua vontade, para obter uma posição de trabalho segura e sem fadiga.

- Rode a peça do punho do punho adicional (13) para a esquerda e vire o punho adicional (13) para a posição desejada. A seguir, volte a apertar a peça de punho inferior do punho adicional (13) para a direita. Observe que a cinta de aperto do punho adicional esteja na ranhura prevista para tal, que se encontra na carcaça da ferramenta.

### Troca de ferramenta

A capa de proteção contra pó (3) evita consideravelmente que penetre pó de perfuração no encabadouro durante o funcionamento. Ao introduzir a ferramenta, certifique-se de que a capa de proteção contra pó (3) não é danificada.

- **Uma capa de proteção contra pó danificada deve ser substituída imediatamente. Recomendamos que o faça no Serviço de Assistência Técnica.**

### Troca de ferramenta (SDS-plus)

#### Introduzir a ponta de aparafusar SDS-plus (ver figura B1)

Com o mandril de substituição SDS-plus é possível trocar fácil e confortavelmente as ferramentas de trabalho, sem ter que utilizar outras ferramentas.

- Limpe a haste de encaixe da ferramenta de trabalho e lubrifique levemente.
- Introduza a ferramenta de trabalho no encabadouro, girando até travar-se automaticamente.
- Puxe a ferramenta para controlar o travamento.

A ferramenta de trabalho SDS-plus pode ser movida livremente condicionada pelo sistema. Por causa disso, ocorre um desvio de rotação em vazio. Isto não tem qualquer influência na precisão do furo, uma vez que a broca se autocentra ao furar.

#### Retirar a ponta de aparafusar SDS-plus (ver figura B2)

- Empurre a bucha de travamento (4) para trás e retire a ponta de aparafusar.

### Aspiração de pó/de aparas

Pós de materiais como por exemplo, tintas que contém chumbo, alguns tipos de madeira, minerais e metais, podem ser nocivos à saúde. O contacto ou a inalação dos pós pode provocar reações alérgicas e/ou doenças nas vias respiratórias do utilizador ou das pessoas que se encontrem por perto.

Certos pós, como por exemplo pó de carvalho e faia são considerados como sendo cancerígenos, especialmente quando juntos com substâncias para o tratamento de madeiras (cromato, preservadores de madeira). Material que contém asbesto só deve ser processado por pessoal especializado.

- Assegurar uma boa ventilação do local de trabalho.
- É recomendável usar uma máscara de proteção respiratória com filtro da classe P2.

Observe as diretivas para os materiais a serem processados, vigentes no seu país.

- **Evite a acumulação de pó no local de trabalho.** Pós podem entrar levemente em ignição.

## Funcionamento

### Colocação em funcionamento


#### Ajustar o modo de operação


Com o interruptor de bloqueio de rotação/impacto (7) seleciona o modo de operação da ferramenta elétrica.


- Para mudar o modo de operação pressione a tecla de desbloqueio (6) e rode o interruptor de bloqueio de rotação/impacto (7) para a posição desejada, até ele engatar de forma audível.

**Nota:** mude o modo de operação apenas com a ferramenta elétrica desligada! Caso contrário a ferramenta elétrica pode ficar danificada.

 Posição para **furar com martelo** em betão ou pedra

 Posição para **furar** sem impacto em madeira, metal, cerâmica e plástico, bem como para **aparafusar**

 Posição **Vario-Lock** para ajustar a posição de cinzelamento  
Nesta posição o interruptor de bloqueio de rotação/impacto (7) não engata.

 Posição para **Cinzelar**

#### Ajustar o sentido de rotação (ver figura C)

Com o comutador de sentido de rotação (8) é possível alterar o sentido de rotação da ferramenta elétrica. Com o interruptor de ligar/desligar pressionado (9) isto, no entanto, não é possível.

- **Acione o comutador do sentido de rotação (8) apenas com a ferramenta elétrica parada.**

Ajuste o sentido de rotação para furar com martelo, furar e cinzelar sempre na rotação à direita.

- **Rotação à direita:** Para furar e apertar parafusos prima o comutador do sentido de rotação (8) completamente para a esquerda.
- **Rotação à esquerda:** Para soltar ou retirar os parafusos e porcas pressione o comutador do sentido de rotação (8) para a direita até ao batente.

#### Ligar/desligar

- Para **ligar** a ferramenta elétrica, prima o interruptor de ligar/desligar (9).

A luz de trabalho (12) acende-se com o interruptor de ligar/desligar (9) completamente ou ligeiramente premido e permite iluminar o local de trabalho em caso de condições de iluminação desfavoráveis.

- Para **desligar** a ferramenta elétrica, liberte o interruptor de ligar/desligar **(9)**.

No caso de temperaturas baixas, a ferramenta elétrica só atinge o seu poder de martelar/impacto completo após algum tempo.

#### Ajustar o número de rotações/impactos

Pode regular o número de rotações/impactos da ferramenta elétrica ligada de forma contínua, consoante a pressão que faz no interruptor de ligar/desligar **(9)**.

Uma leve pressão sobre o interruptor de ligar/desligar **(9)** proporciona um número de rotações/impactos baixo.

Aumentando a pressão, é aumentado o n.º de rotações/impactos.

Também pode regular o número de rotações na interface de utilizador ou através da aplicação para smartphone.

#### Alterar a posição do cinzel (Vario-Lock)

Pode fixar o cinzel em posições. Desta forma pode escolher a melhor posição de trabalho para si.

- Introduzir o cinzel no encabadouro.
- Rode o interruptor de bloqueio de rotação/impacto **(7)** para a posição "Vario-Lock".
- Rode a ferramenta de trabalho para a posição do cinzel desejada.
- Rode o interruptor de bloqueio de rotação/impacto **(7)** para a posição "Cinzelar". Desta forma o encabadouro fica bloqueado.
- Para cinzelar, o sentido de rotação deve ser colocado na rotação à direita.

#### Interface de utilizador (ver figura D)

A interface de utilizador **(15)** é utilizada para a seleção do modo de trabalho bem como para a indicação do estado da ferramenta elétrica.

#### Indicadores de estado

Indicador do nível de carga da bateria (interface de utilizador) (18)	Significado/Causa	Solução
---	-------------------	---------

verde (2 a 5 barras)	Bateria carregada	–
amarelo (1 barra)	Bateria quase vazia	Trocar ou carregar bateria em breve
vermelho (1 barra)	Acumulador vazio	Trocar ou carregar bateria

Indicação da temperatura (23)	Significado/causa	Solução
-------------------------------	-------------------	---------

Amarelo	A temperatura de serviço da bateria ou da ferramenta elétrica aumenta claramente, a potência é reduzida	Deixar a ferramenta elétrica arrefecer ou substituir a bateria sobreaquecida
Vermelho	A temperatura de serviço da bateria ou da ferramenta elétrica foi ultrapassada. Como medida de proteção, a ferramenta elétrica é desligada	Deixar a ferramenta elétrica arrefecer ou substituir a bateria sobreaquecida

Indicação de estado da ferramenta elétrica (17)	Significado/causa	Solução
---	-------------------	---------

Verde	Estado OK	–
Amarelo	Temperatura crítica atingida ou bateria quase vazia	Deixar a ferramenta elétrica arrefecer ou trocar ou carregar a bateria
Vermelho	A ferramenta elétrica está sobreaquecida ou a bateria está vazia	Deixar a ferramenta elétrica arrefecer ou trocar ou carregar a bateria
Vermelho	interruptor de bloqueio de rotação/impacto acionado durante a operação	Desligar e voltar a ligar a ferramenta elétrica
	O motor está bloqueado, a bateria não tem carga suficiente	Carregar bateria ou usar tipo de bateria recomendado
	Erros gerais	– Desligar e voltar a ligar a ferramenta elétrica ou remover e voltar a colocar a bateria
		Se o erro persistir:

Indicação de estado da ferramenta elétrica (17)	Significado/causa	Solução
Piscar a vermelho – em combinação com a indicação do desligamento rápido (19)	O desligamento rápido ativou-se	– Enviar a ferramenta elétrica para o serviço de apoio ao cliente Desligar e voltar a ligar a ferramenta elétrica
Piscar a azul	Ligar a ferramenta elétrica através de <i>Bluetooth</i> ® com o aparelho terminal móvel ou As definições são transferidas	–

Indicação de estado do smartphone (21)	Significado/causa	Solução
Branco	Informações importantes disponíveis (p. ex. aviso de temperatura)	Ler a mensagem no smartphone

### Selecionar o modo de trabalho

Prima a tecla (20) para escolher o modo de trabalho o número de vezes necessárias até acender o modo de trabalho desejado.

**Nota:** No modo de trabalho **Favorite** são configuradas as funções através da aplicação para smartphone, no modo de trabalho **Auto** as funções estão predefinidas.

Indicação do modo de trabalho (22)	Funções
<b>Auto</b> <small>aceso</small>	No modo de trabalho <b>Auto</b> , a ferramenta elétrica atinge a potência máxima. – 100 % do número de rotações máximo – Desligamento rápido (Kickback Control)
<b>Favorite</b> <small>aceso</small>	No modo de trabalho <b>Favorite</b> , é possível configurar individualmente a ferramenta elétrica através da aplicação para smartphone. – Número de rotações para diferentes aplicações configurável em vários níveis: Número de rotações baixo/médio/alto (100 % do número de rotações máximo)

### Instruções de trabalho

- ▶ **A ferramenta elétrica com *Bluetooth*® Low Energy Module montado está equipada com uma interface de comunicações. Devem ser respeitadas as limitações de utilização locais, p. ex. em aviões ou hospitais.**
- ▶ **Nas áreas em que a tecnologia de radiotransmissão *Bluetooth*® não pode ser utilizada, tem de desligar o *Bluetooth*® Low Energy Module através da aplicação.**

#### Ajustar a profundidade de perfuração (ver figura E)

Com o batente de profundidade (14) é possível definir a profundidade de perfuração desejada X.

- Pressione a tecla para o ajuste do batente de profundidade (5) e coloque o batente de profundidade no punho adicional (13).  
As estrias no batente de profundidade (14) têm de ficar viradas para baixo.
- Empurre a ponta de aparafusar SDS-plus até ao batente no encabadouro SDS-plus (2). Caso contrário, a mobilidade do acessório SDS-plus pode causar um ajuste errado da profundidade de perfuração.

- Puxe o batente de profundidade para fora até a distância entre a ponta da broca e a ponta do batente de profundidade corresponder à profundidade de perfuração X desejada.

#### Acoplamento de sobrecarga

- ▶ **Se o acessório emperrar ou pender, a força motriz do veio da broca é interrompida. Devido às forças que se formam, segure sempre a ferramenta elétrica bem com as duas mãos e coloque-se sobre uma base estável.**
- ▶ **Desligue a ferramenta elétrica e solte o acessório se a ferramenta elétrica encravar. Ao ligar o aparelho com uma broca bloqueada são produzidos altos momentos de reação.**

#### Desligamento rápido (Kickback Control)



O desligamento rápido (KickBack Control) oferece um melhor controlo sobre a ferramenta elétrica e aumenta assim a proteção do utilizador comparativamente a ferramentas elétricas sem KickBack Control. Em caso



de uma rotação repentina e imprevista da ferramenta elétrica sobre o eixo de perfuração, a ferramenta elétrica desliga-se, a indicação do desligamento rápido (19) acende-se e a luz de trabalho (12) pisca. Com o desligamento rápido ativo, pisca a indicação de estado (17) a vermelho.

- Para **voltar a colocar em funcionamento** solte o interruptor de ligar/desligar (9) e volte a acioná-lo.

#### Introduzir as pontas de aparafusar (ver figura F)

- **Utilizar os punhos adicionais fornecidos com a ferramenta elétrica.** A perda de controle sobre a ferramenta elétrica pode levar a lesões.

Para utilizar as pontas de aparafusar necessita de um suporte universal (24) com adaptador SDS-plus (acessório).

- Limpe a haste de encaixe do adaptador e lubrifique levemente.
- Introduza o suporte universal no encadourado, girando até travar-se automaticamente.
- Puxe pelo suporte universal para controlar o travamento.
- Introduza uma ponta de aparafusar no suporte universal. Só utilize pontas de aparafusar apropriadas para o cabeçote de aparafusamento.
- Para retirar o suporte universal empurre a bucha de travamento (4) para trás e retire o suporte universal (24) do encadourado.

## Funções Connectivity

### Pré-requisitos do sistema para usar a aplicação

#### Pré-requisitos do sistema


Aparelho terminal móvel (Tablet, Smartphone)	Android 5.1 (e superior) iOS 10 (e superior)
--	---

### Instalação e definições da aplicação

Para usar as funções Connectivity, tem de instalar a aplicação específica – em função do aparelho terminal.

- Descarregue a aplicação através de uma loja de aplicações correspondente (Apple App Store, Google Play Store).

**Nota:** É necessária uma conta de utilizador para o efeito na respetiva App-Store.

Nome da aplicação	iOS	Android
Bosch Toolbox		

### Nome da aplicação

Bosch  
BeConnected



- Depois seleccione a aplicação no submenu **MyTools** ou **Connectivity**.
- O mostrador do aparelho terminal móvel mostra todos os passos seguintes para a ligação da ferramenta elétrica ao aparelho terminal.

### Transferência de dados via Bluetooth®

O *Bluetooth®* Low Energy Module integrado transmite um sinal em intervalos regulares. Consoante o ambiente, poderão ser necessários vários intervalos de envio antes de a ferramenta elétrica ser reconhecida. Se a ferramenta elétrica não for reconhecida, verifique o seguinte:

- A distância para o aparelho terminal móvel é demasiado grande?  
Reduza a distância entre o aparelho terminal móvel e a ferramenta elétrica.
- A pilha botão do *Bluetooth®* Low Energy Module integrado está fraca ou descarregada?  
Para a troca da pilha botão entre em contacto com um posto de assistência técnica autorizado para ferramentas elétricas Bosch.
- Desligue e volte a ligar o *Bluetooth®* no seu aparelho terminal móvel.  
Verifique se a ferramenta elétrica é agora reconhecida.

### Funções na combinação com a ferramenta elétrica

Combinado com o *Bluetooth®* Low Energy Module estão disponíveis as seguintes funções Connectivity para a ferramenta elétrica:

- Registo e personalização
- Verificação do estado, emissão de mensagens de aviso
- Informações gerais e ajustes
- Gestão
- Adaptação das definições de transmissão *Bluetooth®* para o modo de trabalho **Favorite**

## Manutenção e assistência técnica

### Manutenção e limpeza

- **A bateria deverá ser retirada antes de todos os trabalhos na ferramenta elétrica (p. ex. manutenção, troca de ferramenta etc.) e antes de transportar ou de armazenar a mesma.** Há perigo de ferimentos se o interruptor de ligar/desligar for acionado involuntariamente.

- ▶ **Manter a ferramenta elétrica e as aberturas de ventilação sempre limpas, para trabalhar bem e de forma segura.**
  - ▶ **Uma capa de proteção contra pó danificada deve ser substituída imediatamente. Recomendamos que o faça no Serviço de Assistência Técnica.**
- Limpar o encabadouro (2) depois de cada utilização.

#### Trocar a pilha botão integrada

O Bluetooth® Low Energy Module contém uma pilha botão. Se a pilha botão estiver muito fraca ou descarregada, será alertado pela **Bosch Toolbox**. A substituição da pilha botão tem de ser feita pela Bosch ou um posto de assistência técnica autorizado para ferramentas elétricas Bosch.

- ▶ **Atenção: substitua sempre uma pilha botão por uma pilha botão do mesmo tipo.** Há risco de explosão.
- ▶ **Elimine as pilhas botão descarregadas de forma correta.** As pilhas botão podem perder a estanqueidade e, conseqüentemente, danificar o produto ou ferir pessoas.

#### Serviço pós-venda e aconselhamento

O serviço pós-venda responde às suas perguntas a respeito de serviços de reparação e de manutenção do seu produto, assim como das peças sobressalentes. Desenhos explodidos e informações acerca das peças sobressalentes também em: [www.bosch-pt.com](http://www.bosch-pt.com)

A nossa equipa de consultores Bosch esclarece com prazer todas as suas dúvidas a respeito dos nossos produtos e acessórios.

Indique para todas as questões e encomendas de peças sobressalentes a referência de 10 dígitos de acordo com a placa de características do produto.

#### Brasil

Robert Bosch Ltda. – Divisão de Ferramentas Elétricas  
Rodovia Anhanguera, Km 98 - Parque Via Norte  
13065-900, CP 1195  
Campinas, São Paulo  
Tel.: 0800 7045 446  
[www.bosch.com.br/contato](http://www.bosch.com.br/contato)

#### Encontra outros endereços da assistência técnica em:

[www.bosch-pt.com/serviceaddresses](http://www.bosch-pt.com/serviceaddresses)

#### Transporte

As baterias de íões de lítio recomendadas estão sujeitas ao direito de materiais perigosos. As baterias podem ser transportadas na rua pelo utilizador, sem mais obrigações. Na expedição por terceiros (por ex: transporte aéreo ou expedição), devem ser observadas as especiais exigências quanto à embalagem e à designação. Neste caso é necessário consultar um especialista de materiais perigosos ao preparar a peça a ser trabalhada.

Só enviar baterias se a carcaça não estiver danificada. Colar contactos abertos e embalar a bateria de modo que não possa se movimentar dentro da embalagem. Por favor observe também eventuais diretivas nacionais suplementares.

#### Eliminação



As ferramentas elétricas, as baterias, os acessórios e as embalagens devem ser enviados a uma reciclagem ecológica de matéria prima.



Não deitar ferramentas elétricas e baterias/pilhas no lixo doméstico!

#### Baterias/pilhas:

##### Lítio:

Observar as indicações no capítulo Transporte (ver "Transporte", Página 34).

## 中文

### 安全规章

#### 电动工具通用安全警告

##### 警告！

阅读所有警告和所有说明！不遵照以下警告和说明会导致电

击、着火和 / 或严重伤害。

保存所有警告和说明书以备查阅。

在所有下列的警告中术语“电动工具”指市电驱动（有线）电动工具或电池驱动（无线）电动工具。

#### 工作场地的安全

- ▶ **保持工作场地清洁和明亮。** 混乱和黑暗的场地会引发事故。
- ▶ **不要在易爆环境，如有易燃液体、气体或粉尘的环境下操作电动工具。** 电动工具产生的火花会点燃粉尘或气体。
- ▶ **让儿童和旁观者离开后操作电动工具。** 注意力不集中会使操作者失去对工具的控制。

#### 电气安全

- ▶ **电动工具插头必须与插座相配。** 绝不能以任何方式改装插头。需接地的电动工具不能使用任何转换插头。未经改装的插头和相配的插座将减少电击危险。
- ▶ **避免人体接触接地表面，如管道、散热片和冰箱。** 如果你身体接地会增加电击危险。
- ▶ **不得将电动工具暴露在雨中或潮湿环境中。** 水进入电动工具将增加电击危险。
- ▶ **不得滥用电线。** 绝不能用电线搬运、拉动电动工具或拔出其插头。使电线远离热源、油、锐边或运动部件。受损或缠绕的软线会增加电击危险。
- ▶ **当在户外使用电动工具时，使用适合户外使用的外接软线。** 适合户外使用的软线将减少电击危险。

- ▶ 如果在潮湿环境下操作电动工具是不可避免的，应使用剩余电流动作保护器（RCD）。使用RCD可减小电击危险。

#### 人身安全

- ▶ 保持警觉，当操作电动工具时关注所从事的操作并保持清醒。当你感到疲倦，或在有药物、酒精或治疗反应时，不要操作电动工具。在操作电动工具时瞬间的疏忽会导致严重人身伤害。
- ▶ 使用个人防护装置。始终佩戴护目镜。安全装置，诸如适当条件下使用防尘面具、防滑安全鞋、安全帽、听力防护等装置能减少人身伤害。
- ▶ 防止意外起动。确保开关在连接电源和/或电池盒、拿起或搬运工具时处于关断位置。手指放在已接通电源的开关上或开关处于接通时插入插头可能会导致危险。
- ▶ 在电动工具接通之前，拿掉所有调节钥匙或扳手。遗留在电动工具旋转零件上的扳手或钥匙会导致人身伤害。
- ▶ 手不要伸展得太长。时刻注意立足点和身体平衡。这样在意外情况下能很好地控制电动工具。
- ▶ 着装适当。不要穿宽松衣服或佩戴饰品。让衣服、手套和头发远离运动部件。宽松衣服、佩饰或长发可能会卷入运动部件中。
- ▶ 如果提供了与排屑、集尘设备连接用的装置，要确保他们连接完好且使用得当。使用这些装置可减少尘屑引起的危险。
- ▶ 即使由于经常使用电动工具而对此非常熟悉，也不要就认为可以高枕无忧而忽略工具的安全规定。粗心大意的行为可能在瞬间就造成严重的伤害。

#### 电动工具使用和注意事项

- ▶ 不要滥用电动工具，根据用途使用适当的电动工具。选用适当设计的电动工具会使你工作更有效、更安全。
- ▶ 如果开关不能接通或关断工具电源，则不能使用该电动工具。不能用开关来控制的电动工具是危险的且必须进行修理。
- ▶ 在进行任何调节、更换附件或贮存电动工具之前，必须从电源上拔掉插头和/或使电池盒与工具脱离。这种防护性措施将减少工具意外起动的危险。
- ▶ 将闲置不用的电动工具贮存在儿童所及范围之外，并且不要让不熟悉电动工具或对这些说明不了解的人操作电动工具。电动工具在未经培训的用户手中是危险的。
- ▶ 保养电动工具。检查运动件是否调整到位或卡住，检查零件破损情况和影响电动工具运行的其他状况。如有损坏，电动工具应在使用前修理好。许多事故由维护不良的电动工具引发。
- ▶ 保持切削刀具锋利和清洁。保养良好的有锋利切削刃的刀具不易卡住而且容易控制。
- ▶ 按照使用说明书，考虑作业条件和进行的作业来使用电动工具、附件和工具的刀头等。将电动工具用于那些与其用途不符的操作可能会导致危险。

- ▶ 保持手柄和握持表面干燥、清洁、无油污。在突发情况下，滑溜的手柄和握持表面无法确保安全地握持和控制工具。

#### 电池式工具使用和注意事项

- ▶ 只用制造商规定的充电器充电。将适用于某种电池盒的充电器用到其他电池盒时会发生着火危险。
- ▶ 只有在配有专用电池盒的情况下才使用电动工具。使用其他电池盒会发生损坏和着火危险。
- ▶ 当电池盒不用时，将它远离其他金属物体，例如回形针、硬币、钥匙、钉子、螺钉或其他小金属物体，以防一端与另一端连接。电池端部短路会引起燃烧或火灾。
- ▶ 在滥用条件下，液体会从电池中溅出；避免接触。如果意外碰到了，用水冲洗。如果液体碰到了眼睛，还要寻求医疗帮助。从电池中溅出的液体会发生腐蚀或燃烧。
- ▶ 不要使用损坏的或更改过的电池组或工具。损坏或更改过的电池可能导致不可预料的情况发生，有着火、爆炸或受伤的风险。
- ▶ 不要将电池组或工具暴露于火焰或高温情况下。火焰或超过130°C的温度可能会引起爆炸。
- ▶ 遵守所有充电说明，给电池组或工具充电时不要超出说明中规定的温度范围。错误充电或温度超出规定的范围可能会损坏电池并提高着火的风险。

#### 维修

- ▶ 将你的电动工具送交专业维修人员，使用同样的备件进行修理。这样将确保所维修的电动工具的安全性。
- ▶ 决不能维修损坏的电池包。电池包仅能由生产者或其授权的维修服务商进行维修。

#### 电锤安全规章

- ▶ 戴好耳罩。暴露在噪声中会引起听力损伤。
- ▶ 使用随工具提供的辅助手柄。操作失手会引起人身伤害。
- ▶ 在操作期间，切割附件或紧固件可能接触暗线，要握住电动工具的绝缘握持面。切割附件和紧固件一旦接触“带电”导线，可能会使电动工具外露的金属部件“带电”，并使操作员触电。

#### 当使用带旋转电钻的长钻头时的安全说明

- ▶ 务必以低转速开始钻孔，并让钻头尖端与工件接触。在较高转速下，如果让钻头在不接触工件的情况下随意旋转，很可能导致其弯折，从而引发人身伤害。
- ▶ 只在钻头的直线方向上施加压力，不要施加过大的压力。钻头可能会弯曲，导致断裂或失去控制，造成人身伤害。

#### 其他安全规章

- ▶ 使用合适的侦测装置侦察隐藏的电线，或者向当地的相关单位寻求支援。接触电线可能引起火灾并让操作者触电。损坏了瓦斯管会引起爆炸。如果水管被刺穿了会导致财物损失。

- ▶ 等待电动工具完全静止后才能够放下机器。机器上的工具可能在工作中被夹住，而令您无法控制电动工具。
- ▶ 固定好工件。使用固定装置或老虎钳固定工件，会比用手持握工件更牢固。
- ▶ 如果充电电池损坏或者未按照规定使用，充电电池中会散发出有毒蒸汽。充电电池可能会燃烧或爆炸。工作场所必须保持空气流通，如果身体有任何不适必须马上就医。蒸汽会刺激呼吸道。
- ▶ 切勿打开充电电池。可能造成短路。
- ▶ 钉子、螺丝刀等尖锐物品或外力作用可能会损坏充电电池。有可能出现内部短路、蓄电池燃烧、发出烟雾、爆炸或过热。
- ▶ 只能将此充电电池用在制造商的产品中。这样才能确保充电电池不会过热。



保护充电电池免受高温（例如长期阳光照射）、火焰、脏污、水和湿气的侵害。有爆炸和短路的危险。



- ▶ 切勿直接接触运行后的工具刀头或相邻的壳体部件。它们可能在运行期间变得很热，从而导致起火燃烧。
- ▶ 工具刀头可能会在钻孔时卡住。确保站稳并使用双手握紧电动工具。否则您可能失去对电动工具的控制。
- ▶ 使用凿头进行破碎工作时请务必小心。从破碎材料上掉落的碎屑可能会伤到周围人员或您自己。
- ▶ 工作时要使用双手握紧电动工具并确保站稳。使用双手才能够稳定地操作电动工具。



警告



请确保儿童远离纽扣电池。纽扣电池存在安全隐患。

- ▶ 切勿吞咽纽扣电池或使其进入人体。若怀疑吞咽了纽扣电池或电池进入了人体，请立即就医。吞咽纽扣电池可在2小时内造成严重的内部灼伤，甚至死亡。
- ▶ 更换纽扣电池时要注意采用正确的更换方式。有爆炸的危险。
- ▶ 请只使用本用户手册中提及的纽扣电池。请勿使用其他纽扣电池或其他电源。
- ▶ 切勿尝试为纽扣电池充电，切勿短接纽扣电池。纽扣电池可能会泄漏、爆炸、燃烧和造成人身伤害。
- ▶ 请拆下电量耗尽的纽扣电池并对其做恰当的废弃物处理。电量耗尽的纽扣电池可能会泄漏，从而损坏产品或造成人身伤害。
- ▶ 纽扣电池不得过热，不可弃置于火中。纽扣电池可能会泄露、爆炸、燃烧和造成人身伤害。
- ▶ 不得损坏且不得拆解纽扣电池。纽扣电池可能会泄露、爆炸、燃烧和造成人身伤害。

- ▶ 损坏的纽扣电池不得与水接触。溢出的锂离子遇水会产生氢气，从而导致火灾、爆炸或人身伤害。
- ▶ 注意！在使用有蓝牙功能的电动工具时，其他装置和设备、飞机和医疗器械（例如心脏起搏器、助听器）可能会出现故障。同样不能完全排除周围的人和动物会受到伤害。请不要在医疗设备、加油站、化工厂、有爆炸危险的地区附近和在爆破区内使用有蓝牙功能的电动工具。请勿在飞机上使用有蓝牙功能的电动工具。请避免在身体附近较长时间使用。

蓝牙®文字标记和图形符号（标志）是Bluetooth SIG公司的注册商标和财产。Robert Bosch Power Tools GmbH根据许可使用这些文字标记/图形符号。

## 图标

以下符号可以帮助您正确地使用本电动工具。请牢记各符号和它们的代表意思。正确了解各符号的代表意思，可以帮助您更有把握更安全地操作本电动工具。

### 图标及其含义



数据记录功能在本电动工具上已激活。



内置蓝牙®技术的联网电动工具

## 产品和性能说明



请阅读所有安全规章和指示。不遵照以下警告和说明可能导致电击、着火和/或严重伤害。

请注意本使用说明书开头部分的图示。

### 按照规定使用

本电动工具可以在混凝土、砖墙、和石材上进行震动钻，而且也具备了简单的凿削功能。另外也适合在木材、金属、陶材和塑料上进行无冲击钻孔。有电子调节装置和正反反转功能的电动工具也能够拧转螺丝。

内置蓝牙®低功耗模块通过蓝牙®无线技术在电动工具和移动终端设备之间传输电动工具的数据和设置。

### 插图上的机件

机件的编号和电动工具详解图上的编号一致。

- (1) SDS-plus钻夹头
- (2) SDS-plus工具夹头
- (3) 防尘盖
- (4) 锁定套筒

- (5) 深度尺调节键
- (6) 冲击/转动停止开关的解锁按键
- (7) 冲击/转动停止开关
- (8) 正逆转开关
- (9) 起停开关
- (10) 手柄 (绝缘握柄)
- (11) 充电电池<sup>a)</sup>
- (12) 工作灯
- (13) 辅助手柄 (绝缘握柄)
- (14) 限深器
- (15) 用户界面
- (16) 充电电池的解锁按钮<sup>a)</sup>
- (17) 电动工具状态指示灯 (用户界面)
- (18) 充电电池电量显示 (用户界面)
- (19) 快速关断功能指示灯 (用户界面)
- (20) 工作模式选择键 (用户界面)
- (21) 智能手机指示灯 (用户界面)
- (22) 工作模式指示灯 (用户界面)
- (23) 温度指示灯 (用户界面)
- (24) 带SDS-plus接头柄的通用杆<sup>a)</sup>

a) 图表或说明上提到的附件，并不包含在基本的供货范围中。本公司的附件清单中有完整的附件供应项目。

## 技术参数

无绳电锤		GBH 187-LI
物品代码		3 611 J230..
额定电压	伏特=	18
额定转速		
- 正转	转/分钟	0-980
- 反转	转/分钟	0-980
冲击次数 <sup>A)</sup>	转/分钟	0-4350
单一冲击强度符合EPTA-Procedure 05:2016的规定	焦耳	2.4
工具夹头		SDS plus
最大钻孔直径		
- 混凝土 <sup>B)</sup>	毫米	24
- 钢	毫米	13
- 木材	毫米	30
重量符合EPTA-Procedure 01:2014 <sup>C)</sup>	公斤	3.4至4.3
充电时建议的环境温度	摄氏度	0至+35
工作时和存放时允许的环境温度 <sup>D)</sup>	摄氏度	-20至+50
推荐的充电电池		GBA 18V... (≥4.0安培小时) ProCORE18V 8.0Ah/12.0Ah

无绳电锤		GBH 187-LI
推荐的充电器		GAL 18... GAX 18... GAL 36...
<b>数据传输</b>		
蓝牙 <sup>®</sup>		蓝牙 4.2 (低能耗) <sup>E)</sup>
信号最大作用距离	米	30 <sup>F)</sup>
使用的频率范围	兆赫	2400至2483.5
输出功率	毫瓦	< 1
<b>蓝牙<sup>®</sup>低能耗模块电源</b>		
纽扣电池		3伏锂电池, CR 2450
纽扣电池使用寿命约	年	5

A) 在20-25摄氏度的条件下带充电电池ProCORE18V 12.0Ah测得

B) 钻孔直径6-14毫米的最佳功率

C) 视所使用的充电电池而定

D) 温度<0 摄氏度时功率受限

E) 移动终端设备必须可与蓝牙<sup>®</sup>低能耗装置 (版本4.2) 兼容并支持通用访问配置 (GAP)。

F) 根据外部条件包括所用接收设备的不同, 覆盖范围会有很大差别。在封闭的室内以及由于金属障碍物 (如墙壁、台架、箱子等), 蓝牙<sup>®</sup>覆盖范围可能明显缩小。

## 充电电池

Bosch也销售不带充电电池的充电式电动工具。您可以在包装上查看电动工具的供货范围内是否包含充电电池。

### 为充电电池充电

► 请只使用在技术参数中列出的充电器。只有这些充电器才适用于本电动工具上的锂离子电池。

提示: 鉴于国际运输规定, 锂离子充电电池在交货时只完成部分充电。首度使用电动工具之前, 必须先充足充电电池的电量以确保充电电池的功率。

### 安装充电电池

将充好电的充电电池推入电池座, 直到嵌入。

### 取出充电电池

如需取下充电电池, 则请按压解锁按钮, 然后拔出充电电池。在此过程中请勿过度用力。

充电电池具备双重锁定功能, 即使不小心触动了充电电池的解锁按钮, 充电电池也不会从机器中掉落下来。只要充电电池安装在电动工具中, 就会被弹簧固定在其位置上。

### 充电电池电量指示灯

充电电池电量指示灯的绿色LED灯显示充电电池的电量。基于安全原因, 只能在电动工具静止时检查充电电池的电量。

按压充电电量指示灯按钮<sup>⊗</sup>或<sup>⊙</sup>, 来显示充电电量。也可以在充电电池取下时操作。

如果按压充电电量指示灯按键后没有LED灯亮起，则说明充电电池损坏，必须进行更换。

用户界面上也会显示充电电池的电量状态指示灯。

#### 充电电池型号GBA 18V...



LED	电量
3个绿灯长亮	60–100 %
2个绿灯长亮	30–60 %
1个绿灯长亮	5–30 %
1个绿灯闪烁	0–5 %

#### 充电电池型号ProCORE18V...



LED	电量
5个绿灯长亮	80–100 %
4个绿灯长亮	60–80 %
3个绿灯长亮	40–60 %
2个绿灯长亮	20–40 %
1个绿灯长亮	5–20 %
1个绿灯闪烁	0–5 %

### 如何正确地使用充电电池

保护充电电池，避免湿气和水分渗入。

充电电池必须储存在-20 °C至50 °C的环境中。夏天不得将充电电池搁置在汽车中。

不时地使用柔软，清洁而且干燥的毛刷清洁充电电池的通气孔。

充电后如果充电电池的使用时间明显缩短，代表充电电池已经损坏，必须更换新的充电电池。

请注意有关作废处理的规定。

## 安装

- ▶ 在电动工具上进行任何维护的工作（例如维修，更换工具等等），以及搬运、保存电动工具之前都必须从机器中取出蓄电池。无意间操作开关可能会造成伤害。

### 辅助手柄

- ▶ 操作电动工具时务必使用辅助手柄 (13)。
- ▶ 务必确保辅助手柄已牢牢拧紧。否则您可能在工作时失去对电动工具的控制。

#### 摆动辅助手柄（见图片A）

可以任意翻转辅助手柄(13)，由此可在工作中采用安全且不易疲劳的姿势。

- 逆时针旋转辅助手柄(13)的下半部，并将辅助手柄(13)转到需要的位置。然后顺时针重新拧紧辅助手柄(13)的下半部。

注意，辅助手柄的固定套圈必须位于机壳上的固定套圈专属凹槽中。

### 更换刀具

防尘盖(3)可以防止工作时钻屑进入工具夹头中。插入刀具时请注意不要损坏防尘盖(3)。

- ▶ 损坏的防尘盖必须立即更换。推荐由本公司的售后服务部门进行操作。

#### 更换刀具 (SDS-plus)

##### 安装SDS-plus工具刀头（见图片B1）

使用SDS-plus钻夹头可以简单方便地更换工具刀头，无需使用辅助工具。

- 清洁工具柄并在柄上涂少许润滑脂。
- 把工具拧入工具接头中，必须拧转至工具自动锁定为止。
- 抽拉工具以确定它是否正确锁紧了。

SDS-plus系统的工具刀头是活动的。因此在空转时会产生径向跳动偏差。该偏差对钻孔的精度没影响，因为钻孔时钻头自定心。

##### 拆卸SDS-plus工具刀头（见图片B2）

- 向后推动锁定套筒(4)，取下工具刀头。

### 吸锯尘/吸锯屑

含铅的颜料以及某些木材、矿物和金属的加工废尘有害健康。机器操作者或者工地附近的人如果接触、吸入这些废尘，可能会有过敏反应或者感染呼吸道疾病。

某些尘埃（例如加工橡木或山毛榉的废尘）可能致癌，特别是和处理木材的添加剂（例如木材的防腐剂等）结合之后。只有经过专业培训的人才能够加工含石棉的物料。

- 工作场所要保持空气流通。
- 最好佩戴P2滤网等级的口罩。

请留心并遵守贵国和加工物料有关的法规。

- ▶ 避免让工作场所堆积过多的尘垢。尘埃容易被点燃。

## 操作

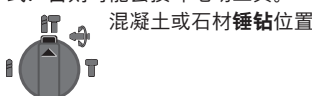
### 操作机器

#### 设定操作模式

通过冲击 / 转动停止开关(7)选择电动工具的运行模式。

- 按压用于转换运行模式的解锁按钮(6)，然后转动冲击 / 转动停止开关(7)到所需位置，直至听到卡止声。

提示：仅可在电动工具关闭的情况下更改运行模式！否则可能会损坏电动工具。





木材、金属、陶材和塑料无冲击**钻孔**以及**拧螺丝**时的位置



调节凿削的**Vario-Lock**位置  
在这个位置上不卡止冲击 / 转动停止开关**(7)**。



凿切位置

### 调整旋转方向 (参见插图C)

通过正逆转开关**(8)**可以更改电动工具的旋转方向。按下起停开关**(9)**后无法更改。

#### ► 只能在电动工具静止时操纵正逆转开关**(8)**。

进行锤钻、正常钻和凿削时，都必须把旋转方向设定为正转。

- **正转**：钻孔和拧入螺丝时，向左按压正逆转开关**(8)**直至极限位置。
- **逆转**：松开或拧出螺丝和螺母时，向右按压正逆转开关**(8)**直至极限位置。

### 接通/关闭

- 如要**接通**电动工具，请按压电源开关**(9)**。

轻按或是把电源开关**(9)**按到底时，工作灯**(12)**会亮起，在照明状况不佳的环境中可以借此照亮工作区域。

### 状态指示灯

充电电池电量指示灯 (用户界面) <b>(18)</b>	含义/原因	解决方案
绿色 (2至5格)	充电电池已充电	-
黄色 (1格)	充电电池的电量几乎耗尽	尽快更换充电电池或为其充电
红色 (1格)	充电电池的电量用尽了	更换充电电池或为其充电

温度显示 <b>(23)</b>	含义/原因	解决方案
黄色	充电电池或电动工具的工作温度明显提高，功率因此降低	让电动工具冷却或更换过热的充电电池
红色	超出充电电池或电动工具的工作温度，电动工具出于自我保护机制自动关闭	让电动工具冷却或更换过热的充电电池

电动工具状态显示 <b>(17)</b>	含义/原因	解决方案
绿色	状态正常	-
黄色	已达到临界温度或充电电池的电量几乎耗尽	让电动工具冷却或更换充电电池或为其充电
红色	电动工具过热或充电电池电量耗尽	让电动工具冷却或更换充电电池或为其充电
红色	在运行过程中已操纵冲击/转动停止开关	关闭并再次接通电动工具
	发动机卡住，充电电池电量过低	给充电电池充电或使用推荐的充电电池类型
	一般故障	- 关闭电动工具并再次接通或取出充电电池并再次装入

- 如要**关闭**电动工具，请松开电源开关**(9)**。

在低温的工作环境中，必须经过短暂的暖机，电动工具才能够发挥最大的锤击/冲击功率。

### 调整转速 / 冲击次数

可以无级调节已接通电动工具的转速/冲击次数，视按压电源开关**(9)**的力道程度决定。

以较小的力按压电源开关**(9)**时，转速/冲击次数较低。增强施加在起停开关上的压力，可以提高机器的转速 / 冲击次数。

您也可以在用户界面上或通过智能手机App调节转速。

### 改变凿头位置 (Vario-Lock)

您可以将凿头锁定在的位置。如此可确保最佳的工作姿势。

- 把凿头装入工具夹头中。
- 将冲击 / 转动停止开关**(7)**旋转至“Vario-Lock”位置。
- 把凿头旋转到需要的工作位置上。
- 将冲击 / 转动停止开关**(7)**旋转至“凿削”位置。这样就能锁定工具夹头。
- 进行凿削时必须把旋转方向设定为正转。

### 用户界面 (参见插图D)

用户界面**(15)**用于选择工作模式以及显示电动工具的状态。

电动工具状态显示(17)	含义/原因	解决方案
以红光闪烁 - 同时带有快速关断功能 指示灯(19)	快速关断功能已触发	如果故障依旧存在: - 将电动工具寄给客户服务部门 关闭并再次接通电动工具
闪蓝光	电动工具已通过 <b>蓝牙®</b> 与移动终端设备连 - 接 或 正在传输设置	

智能手机状态指示灯(21)	含义/原因	解决方案
白色	重要信息可用 (例如温度警告)	在智能手机上阅读信息

### 选择工作模式

在选择工作模式时, 反复按压键(20), 直到所需的工作模式亮起为止。

**提示:** 在工作模式**偏爱**中可通过智能手机应用程序来配置功能, 在工作模式**自动**中功能已预设好。

工作模式指示灯(22)	功能
<b>Auto</b> 亮起	在工作模式 <b>Auto</b> 中, 电动工具达到最大功率。 - 最大转速的100 % - 快速关断功能 (Kickback Control)
<b>Favorite</b> 亮起	在工作模式 <b>Favorite</b> 中可以通过智能手机App对电动工具进行个性化配置。 - 转速可以根据不同的用途分多档配置: 低/中/高 (最大转速的100 %) 转速

### 工作提示

- ▶ 装有**蓝牙®**低能耗模块的电动工具配有一个无线接口。必须注意本地运行限制, 例如在飞机上或医院里。
- ▶ 在不允许使用**蓝牙®**无线技术的区域内, 必须通过应用程序关闭**蓝牙®**低能耗模块。

### 调整钻孔深度 (参见插图E)

利用限深器(14)可以确定所需的钻深X。

- 按压限深器调节键(5), 并将限深器装入辅助手柄(13)。  
限深器(14)的槽纹必须朝下。
- 将SDS-plus工具刀头推入SDS-plus工具夹头(2), 直至极限位置。如果未安装好SDS-plus工具, 会影响设定深度的准确性。
- 尽可能地拉出限深器, 使钻头与限深器尖端之间的距离等于所需的钻孔深度X。

### 过载离合器

- ▶ 如果工具卡住了, 传往主轴的动力会中断。由于会产生力, 请用双手牢牢握住电动工具并站稳。
- ▶ 当电动工具卡住时, 请关闭电动工具并松开工具刀头。开动机器时如果安装在机器上的钻头被卡住了, 会产生很高的反作用扭力。

### 快速关断功能 (踢回控制)



快速关断功能 (踢回控制) 让用户能更好地控制电动工具, 这样与不带踢回控制的电动工具相比, 能更好地保护用户。在电动工具围绕钻头突然且不可预测地旋转时, 电动工具会关闭, 快速关断功能指示灯(19)亮起, 并且工作灯(12)闪烁。在快速关断功能激活后, 状态指示灯(17)呈红色闪烁。

- 如要**重新使用工具**, 松开电源开关(9), 然后再次操作。

### 安装螺丝批嘴 (见图片F)

- ▶ **先关闭电动工具, 然后再放置在螺母/螺栓上。**旋转的工具刀头可能会滑开。

使用螺丝批嘴时, 您需要一个带SDS-plus接头柄(附件)的通用连杆(24)。

- 清洁接头柄的末端并在接头柄末端涂抹少许油脂。
- 把通用连杆拧入工具夹头中, 并让连杆自动锁定。
- 抽拉连杆, 检查连杆是否已经正确锁牢。
- 把螺丝批嘴插入通用连杆中。必须使用与螺丝头大小相符的螺丝批嘴。
- 拆卸通用连杆时, 向后推锁定套筒(4), 然后从工具夹头中拆下通用连杆(24)。



## 连接功能

### 使用应用程序的系统前提条件

#### 系统前提条件



移动终端设备 (平板电脑、智能手机)	Android 5.1 (及更高版本) iOS 10 (及更高版本)
--------------------	---------------------------------------

### 应用程序的安装和设置

您必须先安装专用于终端设备的应用程序，以便使用连接功能。

- 通过相应的应用程序商店 (Apple App Store、Google Play Store) 下载应用程序。

**提示：**前提是在相应的AppStore有用户账号。

应用程序名称	iOS	Android
Bosch Toolbox		

#### 应用程序名称

Bosch  
BeConnected



- 然后在应用程序中选择子项目 **MyTools** 或 **连接**。
- 移动终端设备的显示屏显示连接电动工具和终端设备的所有其他步骤。

### 通过蓝牙传输数据

内置 **蓝牙** 低功耗模块会定期发送信号。根据环境，识别到电动工具之前可能需要经过数个发送周期。如果没有识别到电动工具，请检查以下内容：

- 至移动终端设备的距离是否过大？  
缩短移动终端设备和电动工具之间的距离。
- 内置 **蓝牙** 低功耗模块的纽扣电池电量过低或者电量耗尽？  
如需更换纽扣电池，请联系经授权的博世电动工具客户服务中心。
- 在移动终端设备上关闭 **蓝牙**，然后再次接通。  
请检查目前是否识别到电动工具。

### 与电动工具相关的功能

搭配 **Bluetooth®** (蓝牙) Low Energy Module (低功耗模块)，为电动工具提供以下连接功能：

- 注册和个性化设置
- 状态检查，警告信息输出
- 通用信息和设置
- 管理
- 调整工作模式偏爱的 **蓝牙** 传输设置

## 维修和服务

### 保养和清洁

- 在电动工具上进行任何维护的工作 (例如维修、更换工具等等)，以及搬运、保存电动工具之前都必须从机器中取出蓄电池。无意间操作开关可能会造成伤害。
- 电动工具和通气孔必须随时保持清洁，以确保工作效率和工作安全。
- 必须立即更换损坏的防尘盖。最好委托本公司的顾客服务处换装。
  - 每次使用后请清洁工具夹头 (2)。

### 更换内置纽扣电池

**蓝牙** 低功耗模块内置纽扣电池。如果纽扣电池电量过低或者电量耗尽，会通过 **Bosch Toolbox** 通知您。必须由博世公司或者经授权的博世电动工具客户服务中心来更换纽扣电池。

- 注意：**务必用相同型号的纽扣电池来替换旧电池。有爆炸的危险。
- 请拆下电量耗尽的纽扣电池并对其做恰当的废弃物处理。电量耗尽的纽扣电池可能会泄漏，从而损坏产品或造成人身伤害。

### 客户服务和应用咨询

本公司顾客服务处负责回答有关本公司产品的修理、维护和备件的问题。备件的展开图纸和信息也可查看：[www.bosch-pt.com](http://www.bosch-pt.com)  
博世应用咨询团队乐于就我们的产品及其附件问题提供帮助。

询问和订购备件时，务必提供机器铭牌上标示的10位数物品代码。

#### 中国大陆

博世电动工具 (中国) 有限公司  
中国 浙江省 杭州市  
滨江区 滨康路567号  
102/1F 服务中心  
邮政编码: 310052  
电话: (0571)8887 5566 / 5588  
传真: (0571)8887 6688 x 5566# / 5588#  
电邮: [bsc.hz@cn.bosch.com](mailto:bsc.hz@cn.bosch.com)  
[www.bosch-pt.com.cn](http://www.bosch-pt.com.cn)

#### 制造商地址:

Robert Bosch Power Tools GmbH  
罗伯特·博世电动工具有限公司  
70538 Stuttgart / GERMANY  
70538 斯图加特 / 德国

#### 其他服务地址请见:

[www.bosch-pt.com/serviceaddresses](http://www.bosch-pt.com/serviceaddresses)

### 搬运

所推荐的锂离子充电电池必须符合危险物品法规。使用者无须另外使用保护包装便可以运送该充电电池。

但是如果将它交由第三者运送 (例如: 寄空运或委托运输公司) 则要使用特殊的包装和标示。此时必

須向危險物品專家請教有關寄送危險物品的相關事宜。

確定充電電池的外殼未受損後，才可以寄送充電電池。粘好未加蓋的觸點並包裝好充電電池，不可以讓充電電池在包裝中晃動。必要時也得注意各國有關的法規。

### 處理廢棄物



必須以符合環保的方式，回收再利用損壞的電動工具、充電電池、附件和廢棄的包裝材料。



不可以把電動工具和充電電池/蓄電池丟入一般的家庭垃圾中！

### 充電電池/電池：

#### 鋰離子：

請注意“搬運”段落中的指示（參見“搬運”，頁 41）確認設置。

### 產品中有害物質的名稱及含量

部件名稱	有害物質					
	鉛 (Pb)	汞 (Hg)	鎘 (Cd)	六價鉻 (Cr <sup>+6</sup> )	多溴聯苯 (PBB)	多溴二苯醚 (PBDE)
外殼的金屬部分	○	○	○	○	○	○
外殼的非金屬部分	○	○	○	○	○	○
機械傳動機構	X	○	○	○	○	○
電機組件	X	○	○	○	○	○
控制組件	X	○	○	○	○	○
附件	○	○	○	○	○	○
配件	○	○	○	○	○	○
連接件	X	○	○	○	○	○
電源線* ①	○	○	○	○	○	○
電池系統* ②	X	○	○	○	○	○

本表格依據SJ/T11364的規定編制。

○：表示該有害物質在該部件所有均質材料中的含量均在GB/T 26572規定的限量要求以下。

X：表示該有害物質至少在該部件的某一均質材料中的含量超出GB/T 26572規定的限量要求。且目前業界沒有成熟的替代方案，符合歐盟RoHS指令環保要求。

① 適用於採用電源線連接供電的產品。

② 適用於採用充電電池供電的產品。

產品環保使用期限內的使用條件參見產品說明書。

## 有關中國的更多信息

CMIIT ID顯示在藍牙設備銘牌上

## 繁體中文

### 安全注意事項

#### 電動工具一般安全注意事項

#### 警告

請詳讀工作臺及電動工具的所  
有安全警告與使用說明。若不

遵照以下列出的指示，將可能導致電擊、著火和/或人員重傷。

#### 保存所有警告和說明書以備查閱。

在所有警告中，「電動工具」此一名詞泛指：以市電驅動的（有線）電動工具或是以電池驅動的（無線）電動工具。

#### 工作場地的安全

- ▶ 保持工作場地清潔和明亮。混亂和黑暗的場地會引發事故。
- ▶ 不要在易爆環境，如有易燃液體、氣體或粉塵的環境下操作電動工具。電動工具產生的火花會點燃粉塵或氣體。
- ▶ 讓兒童和旁觀者離開後操作電動工具。注意力不集中會使您失去對工具的控制。

### 電氣安全

- ▶ 電動工具插頭必須與插座相配。絕不能以任何方式改裝插頭。需接地的電動工具不能使用任何轉換插頭。未經改裝的插頭和相配的插座將減少電擊危險。
- ▶ 避免人體接觸接地表面，如管道、散熱片和冰箱。如果您身體接地會增加電擊危險。
- ▶ 不得將電動工具暴露在雨中或潮濕環境中。水進入電動工具將增加電擊危險。
- ▶ 不得濫用電線。絕不能用電線搬運、拉動電動工具或拔出其插頭。使電線遠離熱源、油、銳利邊緣或移動零件。受損或纏繞的軟線會增加電擊危險。
- ▶ 當在戶外使用電動工具時，使用適合戶外使用的延長線。適合戶外使用的軟線，將減少電擊危險。
- ▶ 如果在潮濕環境下操作電動工具是不可避免的，應使用剩餘電流動作保護器（RCD）。使用RCD可降低電擊危險。

### 人身安全

- ▶ 保持警覺，當操作電動工具時關注所從事的操作並保持清醒。當您感到疲倦，或在有藥物、酒精或治療反應時，不要操作電動工具。在操作電動工具時瞬間的疏忽會導致嚴重人身傷害。
- ▶ 使用個人防護裝置。始終佩戴護目鏡。安全裝置，諸如適當條件下使用防塵面具、防滑安全鞋、安全帽、聽力防護等裝置能減少人身傷害。
- ▶ 防止意外起動。確保開關在連接電源和/或電池盒、拿起或搬運工具時處於關閉位置。手指放在已接通電源的開關上或開關處於接通時插入插頭可能會導致危險。
- ▶ 在電動工具接通之前，拿掉所有調節鑰匙或扳手。遺留在電動工具旋轉零件上的扳手或鑰匙會導致人身傷害。
- ▶ 手不要伸展得太長。時刻注意立足點和身體平衡。這樣在意外情況下能很好地控制電動工具。
- ▶ 著裝適當。不要穿寬鬆衣服或佩戴飾品。讓您的衣物及頭髮遠離運動部件。寬鬆衣服、佩飾或長髮可能會捲入運動部件中。
- ▶ 如果提供了與排屑、集塵設備連接用的裝置，要確保他們連接完好且使用得當。使用這些裝置可減少塵屑引起的危險。
- ▶ 切勿因經常使用工具所累積的熟練感而過度自信，輕忽工具的安全守則。任何一個魯莽的舉動都可能瞬間造成人員重傷。

### 電動工具使用和注意事項

- ▶ 不要濫用電動工具，根據用途使用適當的電動工具。選用適當設計的電動工具會使您工作更有效、更安全。
- ▶ 如果開關不能開啟或關閉工具電源，則不能使用該電動工具。不能用開關來控制的電動工具是危險的且必須進行修理。
- ▶ 在進行任何調整、更換配件或貯存電動工具之前，必須從電源上拔掉插頭並/或取出電池盒。這種防護性措施將減少工具意外起動的危險。

- ▶ 將閒置不用的電動工具貯存在兒童所及範圍之外，並且不要讓不熟悉電動工具或對這些說明不瞭解的人操作電動工具。電動工具在未經培訓的用戶手中是危險的。
- ▶ 保養電動工具與配備。檢查運動件是否調整到位或卡住，檢查零件破損情況和影響電動工具運行的其他狀況。如有損壞，電動工具應在使用前修理好。許多事故由維護不良的電動工具引發。
- ▶ 保持切削刀具鋒利和清潔。保養良好的有鋒利切削刀的刀具不易卡住而且容易控制。
- ▶ 按照使用說明書，考慮作業條件和進行的作業來使用電動工具、配件和工具的刀頭等。將電動工具用於那些與其用途不符的操作可能會導致危險。
- ▶ 把手及握持區應保持乾燥、潔淨，且不得沾染任何油液或油脂。易滑脫的把手及握持區將無法讓您在發生意外狀況時安全地抓緊並控制工具。

### 電池式工具使用和注意事項

- ▶ 只用製造商規定的充電器充電。將適用於某種電池盒的充電器用到其他電池盒時會發生著火危險。
- ▶ 只有在配有專用電池盒的情況下才使用電動工具。使用其他電池盒會發生損壞和著火危險。
- ▶ 當電池盒不用時，將它遠離其他金屬物體，例如回形針、硬幣、鑰匙、釘子、螺絲或其他小金屬物體，以防一端與另一端連接。電池端部短路會引起燃燒或火災。
- ▶ 在濫用條件下，液體會從電池中濺出；避免接觸。如果意外碰到了，用水沖洗。如果液體碰到了眼睛，還要尋求醫療幫助。從電池中濺出的液體會發生腐蝕或燃燒。
- ▶ 請勿使用已受損或經改裝的電池盒。已受損或經改裝的電池組可能出現無法預期的反應，進而導致著火、爆炸或造成人員受傷。
- ▶ 勿讓電池盒或工具靠近火源或暴露於異常溫度環境中。若是靠近火源或暴露在超過130 °C的環境中可能造成爆炸。
- ▶ 請完全遵照所有的充電說明，電池盒或工具的溫度若是超出指示的規定範圍，請勿進行充電。不當充電或是未在規定的溫度範圍內進行充電，皆可能造成電池損壞並面臨更高的著火風險。

### 檢修

- ▶ 將您的電動工具送交專業維修人員，必須使用同樣的備件進行更換。這樣將確保所維修的電動工具的安全性。
- ▶ 請勿自行檢修受損的電池盒。電池組應交由製造商或是獲得授權的服務供應商來進行檢修。

### 電錘的安全注意事項

#### 所有作業的安全說明

- ▶ 請戴上耳罩。暴露在噪音下會造成聽力喪失。
- ▶ 請使用工具的輔助把手（若有配備）。失去控制可能會造成人員受傷。
- ▶ 進行作業時，負責進行切割的配件或固定釘可能會碰觸到隱藏的配線，請從絕緣握把處拿持電動

**工具。**負責進行切割的配件及固定釘若是觸及「導電」電線，可能導致電動工具外露的金屬部件「導電」，進而使操作人員遭受電擊。

#### 使用長鑽頭搭配鏈鑽的安全說明

- ▶ 請務必以低速啟動並將鑽尖確實抵住工件。若鑽頭未接觸工件且以超過最高轉速的速度無負載轉動，可能會讓鑽頭彎曲並導致人員受傷。
- ▶ 請順著鑽頭方向施加適當的壓力。鑽頭可能會彎曲而造成斷裂或失控，進而導致人員受傷。

#### 其他安全注意事項

- ▶ 使用合適的偵測裝置偵察隱藏的電線，或者向當地的相關單位尋求支援。接觸電線可能引起火災並讓操作者觸電。若損壞瓦斯管會引起爆炸。如果水管被刺穿會導致財物損失。
- ▶ 必須等待電動工具完全靜止後才能將它放下。嵌件工具可能卡住而使電動工具失控。
- ▶ 固定好工件。使用固定裝置或老虎鉗固定工件，會比用手握工件更牢固。
- ▶ 如果充電電池損壞了，或者未按照規定使用充電電池，充電電池中會散發出有毒蒸氣。充電電池可能起火或爆炸。工作場所必須保持空氣流通，如果身體有任何不適必須馬上就醫。充電電池散發的蒸氣會刺激呼吸道。
- ▶ 切勿拆開充電電池。可能造成短路。
- ▶ 尖銳物品（例如釘子或螺絲起子）或是外力皆有可能造成充電電池損壞。進而導致內部短路而發生電池起火、冒煙、爆炸或過熱等事故。
- ▶ 僅可使用產品的原廠充電電池。如此才可依照產品提供過載保護。



保護充電電池免受高溫（例如長期日照）、火焰、污垢、水液和濕氣的侵害。有爆炸及短路之虞。



- ▶ 操作後不久不要接觸任何嵌件工具或鄰近的外殼部件。這些在操作過程中會變得非常灼熱並導致燙傷。
- ▶ 鑽孔時嵌件工具可能會卡住。請確實站穩並用雙手牢牢握住電動工具。否則您可能無法再控制電動工具。
- ▶ 使用鑿子進行拆除工作時請小心。拆除材料的掉落碎片可能會傷害旁人或您自己。
- ▶ 作業期間請用雙手牢牢握緊電動工具並保持穩固。使用雙手才能夠更穩定地操作電動工具。



警告



請確保鈕扣電池不會落入兒童手中。鈕扣電池相當危險。

- ▶ 不得吞食鈕扣電池或將之放入身體其他孔洞。若有誤食鈕扣電池之疑慮或是不小心讓它經由其他身體部位的開口進入體內，請立刻就醫。若誤食

鈕扣電池，2 小時內便可能因體內嚴重腐蝕而致死。

- ▶ 更換鈕扣電池時請注意：應按正確方式替換鈕扣電池。有爆炸危險。
- ▶ 僅能使用本操作說明書所列出的鈕扣電池。切勿使用其他鈕扣電池或供電裝置。
- ▶ 請勿將鈕扣電池重新充電或故意將它接成短路。鈕扣電池可能已非密封狀態，有爆炸、燃燒之虞，人員可能因此受傷。
- ▶ 請將已無電力的鈕扣電池取下並按照規定的程序進行廢棄處置。已無電力的鈕扣電池可能已非密封狀態，產品有損壞之虞或者人員亦可能因此受傷。
- ▶ 勿讓鈕扣電池過熱，禁止將它丟入火中。鈕扣電池可能已非密封狀態，有爆炸、燃燒之虞，人員可能因此受傷。
- ▶ 嚴禁破壞或拆開鈕扣電池。鈕扣電池可能已非密封狀態，有爆炸、燃燒之虞，人員可能因此受傷。
- ▶ 已受損的鈕扣電池不得接觸到水。外洩的鋰一接觸到水就會產生氫氣，現場可能因而失火、爆炸或造成人員受傷。
- ▶ 小心！使用電動工具時若開啟 Bluetooth® 功能，將可能對其他裝置或設備、飛機以及醫療器材（例如心律調節器、助聽器等）產生干擾。同樣亦無法完全排除對鄰近之人員或動物造成身體危害的可能性。請勿在醫療器材、加油站、化學設備、爆炸危險場所以及易爆環境等處附近，使用電動工具的 Bluetooth® 功能。請勿在飛機上使用電動工具的 Bluetooth® 功能。應避免直接貼靠在身體部位旁的長時間持續操作。

Bluetooth® 一詞及其標誌（商標）為 Bluetooth SIG, Inc. 所擁有之註冊商標。Robert Bosch Power Tools GmbH 對於此詞彙/標誌之任何使用均已取得授權。

## 符號

以下符號可以幫助您正確地使用本電動工具。請牢記各符號和它們的代表意義。正確了解各符號代表的意義，可以幫助您更有把握更安全地操作本電動工具。

### 符號和它們的代表意義



數據測量記錄已於此電動工具啟用。



內建藍牙® 技術的連網電動工具

## 產品和功率描述



請詳讀所有安全注意事項和指示。如未遵守安全注意事項與指示，可能導致火災、人員遭受電擊及/或重傷。

請留意操作說明書中最前面的圖示。

### 依規定使用機器

本電動工具適合在混凝土、磚塊及石材進行鎚擊鑽孔，亦適用於簡易型鑿削作業。此外，它同樣也可以用無震動之方式在木材、金屬、陶瓷或塑膠等材質上進行鑽孔加工。具備電子調速和正逆轉功能的電動工具亦可用於拆裝螺栓。

電動工具的資料和設定會由內建的藍牙® Low Energy 模組透過藍牙® 無線技術在電動工具和行動終端裝置之間傳輸。

### 插圖上的機件

機件的編號和電動工具詳解圖上的編號一致。

- (1) SDS-plus 夾頭
- (2) SDS-plus (四坑系統) 工具夾座
- (3) 防塵蓋
- (4) 鎖定套筒
- (5) 限深擋塊調整按鈕
- (6) 鎚擊/旋轉停止開關的解鎖按鈕
- (7) 鎚擊/旋轉停止開關
- (8) 正逆轉開關
- (9) 起停開關
- (10) 把手 (絕緣握柄)
- (11) 充電電池<sup>a)</sup>
- (12) 工作燈
- (13) 輔助手柄 (絕緣握柄)
- (14) 限深擋塊
- (15) 使用者介面
- (16) 充電電池解鎖按鈕<sup>a)</sup>
- (17) 電動工具狀態指示器 (使用者介面)
- (18) 充電電池的電量指示器 (使用者介面)
- (19) 快關功能指示器 (使用者介面)
- (20) 工作模式選擇鈕 (使用者介面)
- (21) 智慧型手機指示器 (使用者介面)
- (22) 工作模式指示器 (使用者介面)
- (23) 溫度指示器 (使用者介面)
- (24) 具有 SDS-plus 接頭柄的萬用接桿<sup>a)</sup>

a) 圖表或說明上提到的配件，並不包含在基本的供貨範圍中。本公司的配件清單中有完整的配件供應項目。

### 技術性數據

充電式鎚擊電鑽	GBH 187-LI	
產品機號		3 611 J23 0..
額定電壓	V=	18
額定轉速		

充電式鎚擊電鑽	GBH 187-LI	
- 正轉	次 / 分	0-980
- 逆轉	次 / 分	0-980
衝擊次數 <sup>A)</sup>	次 / 分	0-4350
單次鎚擊強度符合 EPTA-Procedure 05:2016	J	2.4
工具夾座		SDS plus
最大鑽孔直徑		
- 混凝土 <sup>B)</sup>	mm	24
- 鋼材	mm	13
- 木材	mm	30
重量符合 EPTA-Procedure 01:2014 <sup>C)</sup>	kg	3.4-4.3
充電狀態下的建議環境溫度	°C	0 ... +35
操作狀態下的容許環境溫度 <sup>D)</sup> 以及存放狀態下	°C	-20 ... +50
建議使用的充電電池		GBA 18V... (≥4.0 Ah) ProCORE18V 8.0Ah/12.0Ah
建議使用的充電器		GAL 18... GAX 18... GAL 36...
資料傳輸		
藍牙®		藍牙 4.2 (低功率) <sup>E)</sup>
訊號最遠傳送範圍	m	30 <sup>F)</sup>
所使用的頻率範圍	MHz	2400-2483.5
輸出功率	mW	< 1
電源供應 藍牙® Low Energy 模組		
鈕扣電池		3 V 鋰電池， CR 2450
鈕扣電池使用壽命約	年	5

A) 於 20-25 °C 配備充電電池 ProCORE18V 12.0Ah 時測得。

B) 鑽頭直徑 6-14 mm 時具最佳效能

C) 視所使用的充電蓄電池而定

D) 溫度 <0 °C 時，性能受限

E) 終端行動裝置必須與 Bluetooth® (藍牙) 低功耗設備 (4.2 版) 相容，並支援 Generic Access Profile (GAP)。

F) 此傳送範圍受外在環境條件 (包含您所使用之接收裝置) 的影響而有極大差異。在密閉空間內，諸如牆面、置物櫃、提箱等物品中的金屬部件會阻礙藍牙® 功能的傳輸，而使訊號傳送範圍明顯縮小。

## 充電電池

Bosch 亦販售不含充電電池的充電式電動工具。可以從外包裝看出電動工具的供貨範圍是否包括電池。

## 為充電電池進行充電

- ▶ 只能選用技術性數據裡所列出的充電器。僅有這些充電器適用於電動工具所使用的鋰離子充電電池。

**提示：**由於國際運輸規定，出貨時鋰離子充電電池已部分充電。初次使用電動工具之前，請先將充電電池充飽電以確保充電電池蓄滿電力。

## 安裝充電電池

將已充飽電的充電電池推至充電電池固定座內，直到卡緊。



## 取出充電電池

若要取出充電電池，請按解鎖按鈕，然後將充電電池抽出。**不可以強行拉出充電電池。**

本充電電池具備了雙重鎖定功能，即使不小心按壓了充電電池解鎖按鈕，充電電池也不會從機器中掉落出來。固定彈簧會把充電電池夾緊在機器中。

## 充電電池的電量指示器

充電電池的電量指示器透過綠色 LED 燈告知充電電池的目前電量。基於安全顧慮，務必在電動工具完全靜止時才能檢查充電電池的電量。

按一下電量指示器按鈕  或 ，即可顯示目前的電量。即使已取出充電電池，此項功能仍可正常運作。

按壓電量顯示按鈕後，LED 燈若未亮起，即表示充電電池故障，必須予以更換。

充電電池目前的電量也會顯示在使用者介面顯示目前狀態。

### 充電電池型號 GBA 18V...



LED	容量
3 顆綠燈持續亮起	60-100 %
2 顆綠燈持續亮起	30-60 %
1 顆綠燈持續亮起	5-30 %
1 顆綠燈呈閃爍狀態	0-5 %

### 充電電池型號 ProCORE18V...



LED	容量
5 顆綠燈持續亮起	80-100 %
4 顆綠燈持續亮起	60-80 %
3 顆綠燈持續亮起	40-60 %
2 顆綠燈持續亮起	20-40 %
1 顆綠燈持續亮起	5-20 %
1 顆綠燈呈閃爍狀態	0-5 %

## 如何正確地使用充電電池

- 妥善保護充電電池，避免濕氣和水分滲入。
- 充電電池必須儲存在 -20 °C 至 50 °C 的環境中。
- 夏天不可以把充電電池擱置在汽車中。
- 偶爾用柔軟、乾淨且乾燥的毛刷清潔充電電池的通氣孔。
- 充電後如果充電電池的使用時間明顯縮短，代表充電電池已經損壞，必須更換新的充電電池。
- 請您遵照廢棄物處理相關指示。

## 安裝

- ▶ 在電動工具上進行任何維護的工作（例如維修，更換工具等）以及搬運和儲存電動工具之前，都必須電動工具中取出充電電池。若是不小心觸動起停開關，可能造成人員受傷。

## 輔助手柄

- ▶ 操作電動工具時務必使用輔助手柄 (13)。
- ▶ 確保輔助手柄始終牢固鎖緊。否則您可能在作業時無法再控制電動工具。

### 翻轉輔助手柄 (請參考圖 A)

輔助手柄 (13) 可隨意翻轉，以便採取一個穩固而不容易感到疲勞的工作姿勢。

- 逆時針旋轉輔助手柄 (13) 的下方握把處，以便將輔助手柄 (13) 轉至所需位置。然後再順時針旋轉輔助手柄 (13) 的下方握把處，將它重新鎖緊。注意，輔助手柄的固定套圈必須位於機殼上的固定套圈專屬凹槽中。

## 更換工具

防塵蓋 (3) 可阻止鑽孔時所產生的大部份粉塵侵入工具夾座。安裝工具時要小心，請勿損壞防塵蓋 (3)。

- ▶ 防塵蓋若有受損，應立即更換。最好委託本公司的顧客服務處換裝。

## 更換工具 (SDS-plus)

### 裝上 SDS-plus 嵌件工具 (請參考圖 B1)

夾頭採 SDS-plus (四坑系統) 設計，能夠簡便地更換嵌件工具，無需借助其它輔助工具。

- 清潔嵌件工具的插入端並且塗上少許潤滑油脂。
- 把嵌件工具轉進工具夾頭中，必須轉至嵌件工具自動鎖定為止。
- 拉動工具以確認它是否已正確鎖止。

SDS-plus 嵌件工具是活動的，因此在無負載狀態下此類工具會偏心旋轉。開始鑽孔時此工具便會自動置中，因此上述現象並不會影響鑽孔準確度。

### 取出 SDS-plus 嵌件工具 (請參考圖 B2)

- 將鎖定套筒 (4) 往後推，然後便可取出嵌件工具。

## 吸鋸塵/吸鋸屑

含鉛的顏料及部分木材、礦物和金屬的加工廢塵有害健康。機器操作者或者工地附近的人如果接觸、

吸入這些廢塵，可能會有過敏反應或者感染呼吸道疾病。

特定粉塵（例如加工橡木或山毛櫸的廢塵）可能致癌，特別是與處理木材的添加劑（例如木材的防腐劑等）混合之後。只有經過專業訓練的人才允許加工含石棉的物料。

- 工作場所要保持空氣流通。
- 建議佩戴 P2 濾網等級的口罩。

請留意並遵守貴國與加工物料有關的法規。

▶ **避免讓工作場所堆積過多的塵垢。**塵埃容易被點燃。

## 操作

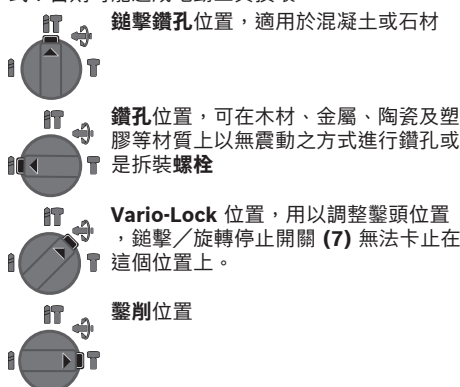
### 操作機器

#### 設定操作模式

您可利用鎚擊／旋轉停止開關 (7) 選擇電動工具的操作模式。

- 若要切換操作模式，請按壓解鎖按鈕 (6) 並將鎚擊／旋轉停止開關 (7) 轉至所需位置，此時應要聽見卡上的聲音。

**提示：**請務必在電動工具關閉電源時才變更操作模式！否則可能造成電動工具損壞。



#### 顯示目前狀態

充電電池的電量指示器 (使用者介面) (18)	代表意義／原因	解決辦法
綠色 (2 至 5 格)	仍有足夠電力	-
黃色 (1 格)	充電電池的電量即將用盡	儘快更換充電電池或為其充電
紅色 (1 格)	充電電池的電量耗盡	更換充電電池或為其充電

溫度指示器 (23)	代表意義／原因	解決辦法
黃色	充電電池或電動工具的操作溫度明顯提高，但功率下降	讓電動工具降溫冷卻或更換過熱的充電電池
紅色	已超過充電電池或電動工具的操作溫度，將關閉以保護電動工具	讓電動工具降溫冷卻或更換過熱的充電電池

#### 設定旋轉方向 (請參考圖 C)

透過正逆轉開關 (8) 即可變更電動工具的旋轉方向。但按下起停開關 (9) 時，將無法這樣做。

▶ **電動工具靜止時，才能操作正逆轉開關 (8)。**

進行鎚擊鑽孔、一般鑽孔及鑿削時，都必須設為正轉。

- **正轉：**若要旋入螺栓及旋緊螺母，請將正逆轉開關 (8) 往左推到底。
- **逆轉：**若要鬆開或旋出螺栓與螺母，請將正逆轉開關 (8) 往右推到底。

#### 啟動／關閉

- 若要**啟動**電動工具：按下起停開關 (9)。
- 輕按起停開關 (9) 或完全按下時，工作燈 (12) 隨即亮起，可照亮光線不足的工作區域。
- 放開起停開關 (9)，即可讓電動工具**停止運轉**。
- 在低溫的工作環境中，必須經過短暫的暖機，電動工具才能夠發揮最大的鎚擊／衝擊功率。

#### 調整轉速／鎚擊次數

您可為已啟動的電動工具無段調控轉速／衝擊次數，轉速是由按壓起停開關 (9) 的深度決定。輕按起停開關 (9) 時，轉速／衝擊次數較低。逐漸在開關上加壓，轉速／衝擊次數也會跟著提高。您也可以到使用者介面上或利用智慧型手機 App 來調控轉速。

#### 改變鑿頭位置 (Vario-Lock)

鑿頭可固定在個不同的位置上。藉此，您可採取最佳的工作姿勢。

- 把鑿頭插進工具夾座中。
- 請將鎚擊／旋轉停止開關 (7) 轉至「Vario-Lock」位置。
- 把鑿頭旋轉到所需的工作位置上。
- 請將鎚擊／旋轉停止開關 (7) 轉至「鑿削」位置。工具夾座隨之鎖定。
- 進行鑿削時必須設為正轉。

#### 使用者介面 (請參考圖 D)

使用者介面 (15) 可用來選擇工作模式以及示意電動工具的目前狀態。

電動工具狀態指示器 (17) 代表意義／原因		解決辦法
綠色	正常狀態	–
黃色	已達到臨界溫度或充電電池的電量即將用盡	讓電動工具降溫冷卻，或是更換充電電池／為其充電
紅色	電動工具過熱或充電電池的電量耗盡	讓電動工具降溫冷卻，或是更換充電電池／為其充電
紅色	在操作期間按下了鎚擊／旋轉停止開關 馬達卡住，充電電池電力不足 一般性的錯誤	先將電動工具關機，然後再重新啟動 為充電電池充電或使用建議的充電電池 – 將電動工具關閉然後重新開啟，或取下充電電池再重新裝入 如仍繼續發生錯誤： – 將電動工具送交顧客服務處
紅色閃爍 – 連同快關功能指示器 (19)	快關功能已觸發	先將電動工具關機，然後再重新啟動
藍色閃爍	電動工具已透過藍牙® 與行動終端裝置連接 或 將進行傳輸設定	–

智慧型手機狀態指示器 (21)		解決辦法
白色	通知您現在有重要資訊 (例如溫度警告)	請到智慧型手機上進一步詳讀訊息內容

### 選擇工作模式

反覆按壓工作模式選擇鈕 (20)，直到出現您想使用的工作模式。

**提示：**使用 **Favorite** 工作模式時，是透過智慧型手機 App 來設定各項功能；使用 **Auto** 工作模式時，則是系統已預設好各項功能。

工作模式指示器 (22)		功能
<b>Auto</b> 亮起	電動工具在 <b>Auto</b> 工作模式下可發揮最高性能。	– 100 % 最高轉速 – 快關功能 (Kickback Control)
<b>Favorite</b> 亮起	使用 <b>Favorite</b> 工作模式時，可透過智慧型手機 App 自訂電動工具的功能。	– 轉速可針對不同的用途設定成多段檔位： 低／中／高 (100% 最高轉速) 轉速

### 作業注意事項

- ▶ 電動工具搭載藍牙® Low Energy Module 配備無線介面。請您務必遵守不同場所的使用限制條件，例如在飛機或醫院內。
- ▶ 進入禁止使用藍牙®無線技術的區域時，藍牙® Low Energy Module 必須透過App 關閉。

#### 調整鑽孔深度 (請參考圖E)

您可利用限深擋塊(14)設定所需鑽孔深度 X。

- 請按壓限深擋塊調整按鈕(5)然後將限深擋塊安裝到輔助手柄(13)上。  
限深擋塊(14)上的刻紋必須朝下。
- 將 SDS-plus 嵌件工具往 SDS-plus 工具夾座(2)推入到底。SDS-plus 工具若未確實裝好，會影響深度設定的準確性。

- 將限深擋塊拉出至，鑽頭尖端與限深擋塊尖端之間的距離等於所需的鑽孔深度 X。

#### 過載離合器

- ▶ 如果工具卡住了，傳往主軸的動力會中斷。請務必用雙手握穩電動工具並採取穩固站姿，以隨時承受此時出現的作用力。
- ▶ 如果電動工具卡死，請關閉電動工具的電源，然後鬆開嵌件工具。啟動機器時如果安裝在機器上的鑽孔工具被卡住了，會產生高的反作用扭力。

#### 快關功能 (Kickback Control)



與未配備 KickBack Control 的電動工具相較之下，快關功能 (KickBack Control) 可讓您更容易掌控電動工具，因此操作人員的安全性也就隨之獲得更多保障。電



動工具的鑽孔轉軸只要一有非預期性的突發旋轉動作，將立即停機，此時快關功能指示器 (19) 將隨之亮起且工作燈 (12) 也會閃爍。快關功能啟用時，狀態指示器 (17) 呈紅色閃爍狀態。

- 此時若想繼續操作，則須將起停開關 (9) 放開後再重新按壓。

#### 裝上螺絲起子工具頭 (請參考圖F)

▶ 電動工具應先停止運轉，然後才放到螺母/螺絲上。轉動中的嵌件工具可能會滑開。

若要使用螺絲起子工具頭，須備妥一個具有 SDS-plus 接頭柄的萬用接桿 (24) (配件)。

- 清潔接頭柄的末端並且塗上少許潤滑油脂。
- 把萬用接桿轉進工具夾座中，必須轉至萬用接桿自動鎖定為止。
- 拉動萬用接桿，以確認萬用接桿是否已確實鎖止。
- 把螺絲起子工具頭插入萬用接桿中。必須使用與螺絲頭大小相符的螺絲起子工具頭。
- 若要取下萬用接桿，請將鎖定套筒 (4) 往後推，然後將萬用接桿 (24) 從工具夾座中取出即可。

## 連線後支援的功能

### 使用應用程式的系統先決條件

#### 系統需求

終端行動裝置 (平板電腦、智慧型手機)	Android 5.1 (以上) iOS 10 (以上)
---------------------	---------------------------------

### App 的安裝與設置

若要使用連線功能，必須先視終端裝置而定安裝其特定的應用程式。

- 請至相關應用程式商店 (Apple App Store、Google Play 商店) 下載此應用程式。
- 提示：**您必須擁有對應 App 商店的使用者帳號。

應用程式名稱	iOS	Android
Bosch Toolbox		
博世 BeConnected		



#### 應用程式名稱



- 然後在應用程式中選擇 **MyTools** 或 **Connectivity** 子項目。

- 終端行動裝置的螢幕上隨即顯示如何將電動工具與終端裝置連線的所有其他步驟。

### 透過藍牙® 傳輸資料

內建的藍牙® Low Energy 模組會定期發送一個訊號。視環境條件而定，可能需要發送數次，才能偵測到電動工具。若偵測不到電動工具，請檢查以下事項：

- 終端行動裝置是否相隔過遠？請縮短行動終端行動裝置與電動工具之間的距離。
- 內建式藍牙® Low Energy 模組的鈕扣電池電力太低或沒電？若要更換鈕扣電池，請洽詢博世電動工具授權客戶服務中心。
- 關閉行動終端裝置上的藍牙®，然後再重新啟動。檢查現在是否可偵測到電動工具。

### 連接電動工具時的功能

搭配使用藍牙® Low Energy Module 時，電動工具連線後支援以下功能：

- 註冊及植入個人化設置
- 狀態檢測、發送警告訊息
- 提供一般資訊、設定工具
- 管理
- 為 **Favorite** 工作模式調整藍牙® 傳輸設定

## 維修和服務

### 保養與清潔

- ▶ 在電動工具上進行任何維護的工作 (例如維修、更換工具等) 以及搬運和儲存電動工具之前，都必須電動工具中取出充電電池。若是不小心觸動起停開關，可能造成人員受傷。
- ▶ 電動工具和通風口都必須保持清潔，這樣才能夠提高工作品質和安全性。
- ▶ 防塵蓋若有受損，應立即更換。最好委託本公司的顧客服務處換裝。
- 每次使用後，請清潔工具夾座 (2)。

### 更換內建式鈕扣電池

藍牙® 低功耗模組包含一顆鈕扣電池。鈕扣電池的電力太低或沒電，**Bosch Toolbox** 會發送訊息通知您。更換鈕扣電池必須由博世客戶服務中心或授權的博世電動工具客戶服務中心進行。

- ▶ **注意：**務必以同類型的鈕扣電池更換之。有爆炸危險。
- ▶ 請將已無電力的鈕扣電池取下並按照規定的程序進行廢棄處置。已無電力的鈕扣電池可能已非密封狀態，產品有損壞之虞或者人員亦可能因此受傷。

### 顧客服務處和顧客諮詢中心

本公司顧客服務處負責回答有關本公司產品的維修、維護和備用零件的問題。以下的網頁中有分解圖和備用零件相關資料：[www.bosch-pt.com](http://www.bosch-pt.com)

如果對本公司產品及其配件有任何疑問，博世應用諮詢小組很樂意為您提供協助。

當您需要諮詢或訂購備用零件時，請務必提供本產品型號銘牌上 10 位數的產品機號。

#### 台灣

台灣羅伯特博世股份有限公司  
建國北路一段90號6樓  
台北市10491  
電話: (02) 7734 2588  
傳真: (02) 2516 1176  
www.bosch-pt.com.tw

#### 制造商地址:

Robert Bosch Power Tools GmbH  
羅伯特·博世電動工具有限公司  
70538 Stuttgart / GERMANY  
70538 斯圖加特/德國

#### 以下更多客戶服務處地址:

www.bosch-pt.com/serviceaddresses

#### 搬運

建議使用的鋰離子充電電池受危險物品法的規範。使用者無須另外使用保護包裝便可運送該充電電池。

但是如果將它交由第三者運送（例如：寄空運或委託運輸公司），則應遵照包裝與標示的相關要求。此時必須向危險物品專家請教有關寄送危險物品的相關事宜。

確定充電電池的外殼未受損後，才可以寄送充電電池。用膠帶貼住裸露的接點並妥善包裝充電電池，不可以讓充電電池在包裝材料中晃動。同時也應留意各國相關法規。

#### 廢棄物處理



必須以符合環保的方式，將損壞的電動工具、充電電池、配件和包裝材料進行回收再利用。



不可以把電動工具和充電電池／拋棄式電池丟入一般家庭垃圾中！

#### 充電電池／拋棄式電池：

##### 鋰離子：

請注意「搬運」段落中的指示（參見「搬運」，頁 50）。

## 有關台灣的更多資訊

#### NCC 警語

##### 低功率射頻器材管理辦法:

取得審驗證明之低功率射頻器材，非經核准，公司、商號或使用者均不得擅自變更頻率、加大功率或變更原設計之特性及功能。

低功率射頻器材之使用不得影響飛航安全及干擾合法通信；經發現有干擾現象時，應立即停用，並改善至無干擾時方得繼續使用。

前述合法通信，指依電信管理法規規定作業之無線電通信。

低功率射頻器材須忍受合法通信或工業、科學及醫療用電波輻射性電機設備之干擾。

## ไทย

### กฎระเบียบเพื่อความปลอดภัย

#### คำเตือนเพื่อความปลอดภัยทั่วไปสำหรับเครื่องมือไฟฟ้า

#### ⚠ คำเตือน อ่านคำเตือนเพื่อความปลอดภัย คำแนะนำ ภาพประกอบ และข้อมูล

##### จำเพาะทั้งหมดที่จัดส่งมาพร้อมกับเครื่องมือไฟฟ้า

การไม่ปฏิบัติตามคำแนะนำทั้งหมดที่ระบุไว้ด้านล่างนี้อาจทำให้ถูกไฟฟ้าดูด เกิดไฟไหม้ และ/หรือได้รับบาดเจ็บอย่างร้ายแรง

#### เก็บรักษาคำเตือนและคำสั่งทั้งหมดสำหรับเปิดอ่านในภายหลัง

คำว่า "เครื่องมือไฟฟ้า" ในคำเตือนหมายถึง เครื่องมือไฟฟ้าของท่านที่ทำงานด้วยพลังงานไฟฟ้าจากแหล่งจ่ายไฟหลัก (มีสายไฟฟ้า) และเครื่องมือไฟฟ้าที่ทำงานด้วยพลังงานไฟฟ้าจากแบตเตอรี่ (ไร้สาย)

#### ความปลอดภัยในสถานที่ทำงาน

- ▶ รักษาสถานที่ทำงานให้สะอาดและมีไฟส่องสว่างดี สถานที่ที่มีมืดหรือรกรุงรังนำมาซึ่งอุบัติเหตุ
- ▶ อย่าใช้เครื่องมือไฟฟ้าทำงานในสภาพบรรยากาศที่จุดติดไฟได้ เช่น ในพื้นที่มีของเหลวไวไฟ ก๊าซ หรือฝุ่น เมื่อใช้เครื่องมือไฟฟ้าจะเกิดประกายไฟซึ่งอาจจุดฝุ่นหรือไอให้ลุกเป็นไฟได้
- ▶ ขณะใช้เครื่องมือไฟฟ้าทำงาน ต้องกันเด็กและผู้ยืนดูให้ออกห่าง การหันเหความสนใจอาจทำให้ท่านขาดการควบคุมเครื่องมือ

#### ความปลอดภัยเกี่ยวกับไฟฟ้า

- ▶ ปลั๊กของเครื่องมือไฟฟ้าต้องเหมาะสมพอดีกับเต้าเสียบ อย่าคิดแปลงปลั๊กไม่ว่าในลักษณะใดๆ อย่างเด็ดขาด อย่าใช้ปลั๊กพ่วงต่อใดๆ กับเครื่องมือไฟฟ้าที่มีสายดิน

ปลั๊กที่ไม่ได้แปลงและเต้าเสียบที่เข้ากันช่วยลดความเสี่ยงจากการถูกไฟฟ้าดูด

- ▶ **หลีกเลี่ยงอย่าให้ร่างกายสัมผัสกับพื้นผิวที่ต่อสายดินหรือลงกราวด์ไว้ เช่น ท่อ เครื่องทำความร้อน เตา และตู้เย็น** จะเสี่ยงอันตรายจากการถูกไฟฟ้าดูดมากขึ้นหากกระแสไฟฟ้าวิ่งผ่านร่างกายของท่านลงดิน
- ▶ **อย่าให้เครื่องมือไฟฟ้าถูกฝนหรืออยู่ในสภาพเปียกชื้น** หากน้ำเข้าในเครื่องมือไฟฟ้า จะเพิ่มความเสี่ยงจากการถูกไฟฟ้าดูด
- ▶ **อย่าใช้สายไฟฟ้าในทางที่ผิด** อย่าใช้สายไฟฟ้าเพื่อยกตึง หรือถ่วงปลั๊กเครื่องมือไฟฟ้า กับสายไฟฟ้าออกจากความร้อน น้ำมัน ขอบแหลมคม หรือชิ้นส่วนที่เคลื่อนที่ สายไฟฟ้าที่ชำรุดหรือพันกันยุ่งเพิ่มความเสี่ยงจากการถูกไฟฟ้าดูด
- ▶ **เมื่อใช้เครื่องมือไฟฟ้าทำงานกลางแจ้ง ให้ใช้สายไฟ** ต่อที่เหมาะสมสำหรับการใช้งานกลางแจ้ง การใช้สายไฟต่อที่เหมาะสมสำหรับงานกลางแจ้ง ช่วยลดอันตรายจากการถูกไฟฟ้าดูด
- ▶ **หากไม่สามารถหลีกเลี่ยงการใช้เครื่องมือไฟฟ้าทำงาน** ในสถานที่ที่เปียกชื้นได้ ให้ใช้**สวิตช์ตัดวงจรเมื่อเกิดการรั่วไหลของไฟฟ้าจากสายดิน (RCD)** การใช้สวิตช์ตัดวงจรเมื่อเกิดการรั่วไหลของไฟฟ้าจากสายดินช่วยลดความเสี่ยงต่อการถูกไฟฟ้าดูด

#### ความปลอดภัยของบุคคล

- ▶ **ท่านต้องอยู่ในสภาพเตรียมพร้อม ระวังในสิ่งที่ท่านกำลังทำอยู่ และมีสติขณะใช้เครื่องมือไฟฟ้าทำงาน** อย่าใช้เครื่องมือไฟฟ้าขณะที่ท่านกำลังเหนื่อย หรืออยู่ภายใต้การครอบงำของฤทธิ์ของยาเสพติด แอลกอฮอล์ และยา เมื่อใช้เครื่องมือไฟฟ้าทำงานในชั่วโมงที่ท่านขาดความเอาใจใส่อาจทำให้บุคคลบาดเจ็บอย่างรุนแรงได้
- ▶ **ใช้อุปกรณ์ปกป้องร่างกาย สวมแว่นตาป้องกันเสมอ** อุปกรณ์ปกป้อง เช่น หน้ากากกันฝุ่น รองเท้ากันลื่น หมวกแข็ง หรือประคบหูกันเสียงดังที่ไซตามความเหมาะสมกับสภาพการทำงาน จะลดการบาดเจ็บทางร่างกาย
- ▶ **ป้องกันการติดเครื่องโดยไม่ตั้งใจ** ตรวจสอบให้แน่ใจว่าสวิตช์อยู่ในตำแหน่งปิดก่อนเชื่อมต่อเข้ากับแหล่งจ่ายไฟ และ/หรือแบตเตอรี่แพ็ค ยกหรือถือเครื่องมือถือเครื่องโดยใช้นิ้วหัวที่สวิตช์ หรือเสียบปลั๊กไฟฟ้าขณะสวิตช์เปิดอยู่ อาจนำไปสู่อุบัติเหตุที่ร้ายแรงได้
- ▶ **นำเครื่องมือปรับแต่งหรือประแจปากตายออกก่อนเปิดสวิตช์เครื่องมือไฟฟ้า** เครื่องมือหรือประแจปากตายที่วางอยู่กับส่วนของเครื่องที่กำลังหมุนจะทำให้บุคคลบาดเจ็บได้

- ▶ **อย่าเอื้อมไกลเกินไป** ตั้งหาชิ้นที่มั่นคงและวางน้ำหนักให้สมดุลตลอดเวลา ในลักษณะนี้ท่านสามารถควบคุมเครื่องมือไฟฟ้าในสถานการณ์ที่ไม่คาดคิดได้ดีกว่า
- ▶ **แต่งกายอย่างเหมาะสม** อย่าใส่เสื้อผ้าหลวมหรือสวมเครื่องประดับ เอาผมและเสื้อผ้าออกจากชิ้นส่วนที่เคลื่อนที่ เสื้อผ้าหลวม เครื่องประดับ และผม ยาวอาจเข้าไปติดในชิ้นส่วนที่เคลื่อนที่
- ▶ **หากเครื่องมือไฟฟ้ามีข้อเชื่อมต่อกับเครื่องดูดฝุ่นหรือเครื่องเก็บผง ให้ตรวจสอบให้แน่ใจว่าได้เชื่อมต่อและใช้งานอย่างถูกต้อง** การใช้อุปกรณ์ดูดฝุ่นช่วยลดอันตรายที่เกิดจากฝุ่นได้
- ▶ **เมื่อใช้งานเครื่องบอยครั้งจะเกิดความคุ้นเคย** อย่าให้ความคุ้นเคยทำให้ท่านเกิดภาวะชะงักและละเลยกฎเกณฑ์ด้านความปลอดภัยในการใช้งานเครื่อง การทำงานอย่างไม่ระมัดระวังอาจทำให้เกิดการบาดเจ็บอย่างร้ายแรงภายในเสี้ยววินาที

#### การใช้และการดูแลรักษาเครื่องมือไฟฟ้า

- ▶ **อย่าฝืนกำลังเครื่องมือไฟฟ้า** ใช้เครื่องมือไฟฟ้าที่ถูกต้องตรงตามลักษณะงานของท่าน เครื่องมือไฟฟ้าที่ต้องจะทำงานได้ดีกว่าและปลอดภัยกว่าในระดับสมรรถภาพที่ออกแบบไว้
- ▶ **อย่าใช้เครื่องมือไฟฟ้าสำหรับไม่สามารถเปิดปิดได้** เครื่องมือไฟฟ้าที่ไม่สามารถควบคุมการเปิดปิดด้วยสวิตช์ได้ เป็นเครื่องมือไฟฟ้าที่ไม่ปลอดภัยและต้องส่งซ่อมแซม
- ▶ **ก่อนปรับแต่งเครื่อง เปลี่ยนอุปกรณ์ประกอบ หรือเก็บเครื่องเข้าที่** ต้องถอดปลั๊กออกจากแหล่งจ่ายไฟ และ/หรือถอดแบตเตอรี่แพ็คออกจากเครื่องมือไฟฟ้าหากถอดออกได้ มาตรการป้องกันเพื่อความปลอดภัยนี้ช่วยลดความเสี่ยงจากการติดเครื่องโดยไม่ตั้งใจ
- ▶ **เมื่อเลิกใช้งานเครื่องมือไฟฟ้า ให้เก็บเครื่องไว้ในที่ที่เด็กหยิบไม่ถึง และไมอนุญาตให้บุคคลที่ไม่คุ้นเคยกับเครื่องหรือบุคคลที่ไม่ได้อ่านคำแนะนำนำเหล่านี้ใช้เครื่องมือไฟฟ้า** เป็นข้อยกเว้นหากตกอยู่ในมือของผู้ใช้ที่ไม่ได้รับการฝึกฝน
- ▶ **บำรุงรักษาเครื่องมือไฟฟ้าและอุปกรณ์ประกอบ** ตรวจสอบชิ้นส่วนที่เคลื่อนที่ว่าวางไม่ตรงแนวหรือติดขัดหรือไม่ ตรวจสอบการแตกหักของชิ้นส่วนและสภาพอื่นใดที่อาจมีผลต่อการทำงานของเครื่องมือไฟฟ้า หากชำรุดต้องส่งเครื่องมือไฟฟ้าไปซ่อมแซมก่อนใช้งาน อุบัติเหตุหลายอย่างเกิดขึ้นเนื่องจากดูแลรักษาเครื่องมือไม่ดีพอ

- ▶ **รักษาเครื่องมือตัด ให้คมและสะอาด**  
หากบำรุงรักษาเครื่องมือที่มีขอบตัดแหลมคมอย่างถูกต้อง จะสามารถตัดได้ลื่นไม่ติดขัดและควบคุมได้ง่ายกว่า
- ▶ **ใช้เครื่องมือไฟฟ้า อุปกรณ์ประกอบ เครื่องมือ และอุปกรณ์อื่นๆ** ตรงตามคำแนะนำเหล่านี้ โดยคำนึงถึงเงื่อนไขการทำงานและงานที่จะทำ การใช้เครื่องมือไฟฟ้าทำงานที่ต่างไปจากวัตถุประสงค์การใช้งานของเครื่อง อาจนำไปสู่สถานการณ์ที่เป็นอันตรายได้
- ▶ **ดูแลคัมจับและพื้นผิวจับให้แห้ง สะอาด และปราศจากคราบน้ำมันและจาระบี** คัมจับและพื้นผิวจับที่ลื่นทำให้หือจับได้ไม่ปลอดภัย และไม่สามารถควบคุมเครื่องมือในสถานการณ์ที่ไม่คาดคิด

#### การใช้และการดูแลรักษาเครื่องที่ใช้แบตเตอรี่

- ▶ **ชาร์จไฟใหม่ด้วยเครื่องชาร์จที่บริษัทผู้ผลิตระบุไว้เท่านั้น**  
เครื่องชาร์จที่เหมาะสมสำหรับชาร์จแบตเตอรี่แพ็คเกจหนึ่ง หากนำไปชาร์จแบตเตอรี่แพ็คเกจอื่น อาจเกิดไฟไหม้ได้
- ▶ **ใช้เครื่องมือไฟฟ้าเฉพาะกับแบตเตอรี่แพ็คเกจที่กำหนดไว้เท่านั้น** การใช้แบตเตอรี่แพ็คเกจอื่นเสี่ยงต่อการเกิดไฟไหม้หรือบาดเจ็บ
- ▶ **เมื่อไม่ใช้งานแบตเตอรี่แพ็คเกจ ให้เก็บไว้ห่างวัตถุที่เป็นโลหะอื่นๆ** เช่น คลิปหนีบกระดาษ เหรียญ คุกกี้ แจก ตะปู สกรู หรือวัตถุที่เป็นโลหะขนาดเล็กอื่นๆ ที่สามารถเชื่อมต่อขั้วหนึ่ง ไปยังอีกขั้วหนึ่ง ได้  
การลัดวงจรของขั้วแบตเตอรี่อาจทำให้เกิดการไหม้หรือไฟลุกได้
- ▶ **หากใช้แบตเตอรี่อย่างอาจมีของเหลวไหลออกมาจากแบตเตอรี่ได้ ให้หลีกเลี่ยงการสัมผัส หากสัมผัสโดยบังเอิญ ให้ใช้น้ำล้าง หากของเหลวเข้าตา ให้ขอความช่วยเหลือจากแพทย์ด้วย**  
ของเหลวที่ไหลออกมาจากแบตเตอรี่อาจทำให้เกิดอาการคันหรือแสบผิวหนังได้
- ▶ **อย่าใช้แบตเตอรี่แพ็คเกจหรือเครื่องมือที่ชำรุดหรือดัดแปลง**  
แบตเตอรี่ที่ชำรุดหรือดัดแปลงอาจแสดงอาการที่ไม่สามารถคาดเดาได้ ส่งผลให้เกิดไฟไหม้ ระเบิด หรือความเสี่ยงต่อการได้รับบาดเจ็บ
- ▶ **อย่าให้แบตเตอรี่แพ็คเกจหรือเครื่องมือสัมผัสไฟหรืออุณหภูมิที่สูงเกินไป** หากสัมผัสไฟหรืออุณหภูมิที่สูงกว่า 130 °C อาจทำให้เกิดการระเบิดได้
- ▶ **ปฏิบัติตามคำแนะนำเกี่ยวกับกรชาร์จทั้งหมด และต้องไม่ชาร์จแบตเตอรี่แพ็คเกจหรือเครื่องมือ**  
นอกช่วงอุณหภูมิที่กำหนดในคำแนะนำ การชาร์จแบตเตอรี่อย่างไม่ถูกวิธีหรือนอกช่วงอุณหภูมิที่กำหนด

อาจทำให้แบตเตอรี่เสียหายและเพิ่มความเสี่ยงต่อการเกิดไฟไหม้

#### การบริการ

- ▶ **ส่งเครื่องมือไฟฟ้าของท่านเข้ารับบริการจากช่างซ่อมที่มีคุณสมบัติเหมาะสม โดยใช้อะไหล่ที่เหมือนกันเท่านั้น** ในลักษณะนี้ท่านจะแน่ใจได้ว่าเครื่องมือไฟฟ้าอยู่ในสภาพที่ปลอดภัย
- ▶ **อย่าบำรุงรักษาแบตเตอรี่แพ็คเกจที่ชำรุดอย่างเด็ดขาด** ต้องส่งให้บริษัทผู้ผลิตหรือศูนย์บริการที่ได้รับอนุญาตทำการบำรุงรักษาแบตเตอรี่แพ็คเกจเท่านั้น

#### คำเตือนเพื่อความปลอดภัยสำหรับค้อน

##### คำเตือนเพื่อความปลอดภัยสำหรับการทำงานทั้งหมด

- ▶ **สวมประภหุป้องกันเสียงดัง** การรับฟังเสียงดังอาจทำให้สูญเสียการได้ยิน
- ▶ **ใช้คัมจับเพิ่มหากจัดส่งมาพร้อมกับเครื่องการสูญเสียการควบคุมอาจทำให้บุคคลได้รับบาดเจ็บ**
- ▶ **เมื่อทำงานในบริเวณที่เครื่องมือตัดหรือสกรูอาจสัมผัสสายไฟฟ้าที่ซ่อนอยู่** ต้องจับเครื่องมือไฟฟ้าตรงพื้นผิวจับที่หุ้มฉนวน หากเครื่องมือตัดและสกรูสัมผัสสายที่ "มีกระแสไฟฟ้า" ไหลผ่าน จะทำให้ชิ้นส่วนโลหะที่ไม่ได้หุ้มฉนวนของเครื่องมือไฟฟ้าเกิด "มีกระแสไฟฟ้า" ด้วย และส่งผลให้ผู้ใช้งานเครื่องมือถูกไฟฟ้าดูดได้

##### คำเตือนเพื่อความปลอดภัยเมื่อใช้ดอกสว่านยาวด้วยค้อนหมุน

- ▶ **เริ่มต้นเจาะด้วยความเร็วต่ำและให้ปลายดอกสว่านสัมผัสชิ้นงานเสมอ** ที่ความเร็วที่สูงกว่า ดอกสว่านอาจโค้งงอเมื่อปล่อยให้หมุนอย่างอิสระโดยไม่สัมผัสชิ้นงาน และส่งผลให้ได้รับบาดเจ็บทางร่างกาย
- ▶ **ใช้แรงกดให้ตรงกับแนวดอกสว่านเท่านั้นและอย่าใช้แรงกดมากเกินไป** ไปดอกสว่านอาจโค้งงอทำให้แตกหักหรือสูญเสียการควบคุม และส่งผลให้ได้รับบาดเจ็บทางร่างกาย

##### คำแนะนำเพื่อความปลอดภัยเพิ่มเติม

- ▶ **ใช้เครื่องตรวจจับที่เหมาะสมเพื่อตรวจสอบสายไฟฟ้าหรือท่อสาธารณูปโภคที่อาจซ่อนอยู่ในบริเวณทำงานหรือติดตั้งบริษัทสาธารณูปโภคในพื้นที่เพื่อขอความช่วยเหลือ** การสัมผัสกับสายไฟฟ้าอาจทำให้เกิดไฟไหม้หรือถูกไฟฟ้าดูด การทำให้หมอกับเสียหายอาจทำให้เกิดระเบิด การเจาะเข้าในท่อน้ำ ทำให้ทรัพย์สินเสียหาย
- ▶ **รอให้เครื่องมือไฟฟ้าหยุดสนิทก่อนวางเครื่องลงบนพื้น** เครื่องมือที่ใส่อยู่อาจติดขัดและทำให้สูญเสียการควบคุมเครื่องมือไฟฟ้า

- ▶ ยึดชิ้นงานให้แน่น การยึดชิ้นงานด้วยเครื่องมือหรือแท่นจับจะมั่นคงกว่าการยึดด้วยมือ
- ▶ เมื่อแบตเตอรี่ชาร์จและนำไปใช้งานอย่างไม่ถูกต้อง อาจมีโอระเหยออกมาได้ แบตเตอรี่อาจเผาไหม้หรือระเบิดได้ให้สูดอากาศบริสุทธิ์และไปพบแพทย์ในกรณีเจ็บปวด โอระเหยอาจทำให้ระบบหายใจระคายเคือง
- ▶ อย่าเปิดแบตเตอรี่ อันตรายจากการลัดวงจร
- ▶ วัตถุที่แหลมคม ต. ย. เช่น ตะปูหรือไขควง หรือแรงกระทำภายนอก อาจทำให้แบตเตอรี่เสียหายได้ สิ่งเหล่านี้อาจทำให้เกิดการลัดวงจรภายในและแบตเตอรี่ใหม่ มีควัน ระเบิด หรือร้อนเกินไป
- ▶ ใช้แบตเตอรี่พิเศษเฉพาะในผลิตภัณฑ์ของผู้ผลิตเท่านั้น ในลักษณะนี้ แบตเตอรี่พิเศษจะได้รับการปกป้องจากการใช้งานเกินกำลังซึ่งเป็นอันตราย



ปกป้องแบตเตอรี่จากความร้อน รวมทั้ง ต. ย. เช่น จากการถูกแสงแดดส่องต่อเนื่อง จากไฟลิ่งสปริงก์ น้ำ และความชื้น อันตรายจากการระเบิดและการลัดวงจร



- ▶ ห้ามสัมผัสเครื่องมือหรือชิ้นส่วนใดๆ ที่อยู่ติดกันหลังเสร็จสิ้นการใช้งานแล้วไม่นาน ชิ้นส่วนเหล่านี้อาจร้อนจัดระหว่างการทำงานและทำให้เกิดแผลไหม้ได้
- ▶ เครื่องมืออาจติดขัดในขณะเจาะ ตัดทำยีนที่มันคงและจับเครื่องมือไฟฟ้าด้วยมือทั้งสองข้างอย่างแน่นหนา มิฉะนั้นคุณอาจสูญเสียการควบคุมเครื่องมือไฟฟ้า
- ▶ ใช้ความระมัดระวังในขณะรื้อถอนด้วยสิ่ว เศษวัสดุการรื้อถอนที่ร่วงหล่นอาจทำให้ผู้คนรอบข้างหรือตัวคุณเองบาดเจ็บได้
- ▶ จับเครื่องมือไฟฟ้าให้แน่นด้วยมือทั้งสองข้างและตั้งทำยีนให้มั่นคงขณะทำงาน ท่านจะสามารถนำทางเครื่องมือไฟฟ้าได้ปลอดภัยกว่าเมื่อจับเครื่องด้วยมือทั้งสองข้าง



คำเตือน



ตรวจสอบให้แน่ใจว่าได้เก็บถ่านกระดุมให้พ้นมือเด็กแล้ว ถ่านกระดุมอันตราย

- ▶ ห้ามไม่ให้ถ่านกระดุมเข้าไปในช่องเปิดของร่างกาย หากสงสัยว่าได้กลืนถ่านกระดุมหรือถ่านกระดุมถูกใส่เข้าไปในช่องเปิดของร่างกาย ให้รีบไปพบแพทย์ทันที การกลืนถ่านกระดุมสามารถทำให้เกิดแผลไหม้ภายในอย่างรุนแรงภายใน 2 ชั่วโมงและอาจนำไปสู่ความตายได้
- ▶ เมื่อเปลี่ยน ให้ตรวจสอบให้แน่ใจว่าได้เปลี่ยนถ่านกระดุมอย่างถูกต้อง อันตรายจากการระเบิด

- ▶ ใช้เฉพาะถ่านกระดุมที่ระบุไว้ในคู่มือการใช้งานนี้เท่านั้น อย่าใช้ถ่านกระดุมอื่นๆ หรือแหล่งไฟพลังงานประเภทอื่น
- ▶ อย่าพยายามชาร์จถ่านกระดุมอีกครั้ง และอย่าลัดวงจรถ่านกระดุม ถ่านกระดุมอาจรั่วไหล ระเบิด เผาไหม้ และทำให้บุคคลบาดเจ็บได้
- ▶ นำถ่านกระดุมที่หมดไฟแล้วออกมา และนำไปกำจัดอย่างถูกต้อง ถ่านกระดุมที่หมดไฟแล้วอาจรั่วไหล และส่งผลเสียหายต่อผลิตภัณฑ์หรือทำให้บุคคลบาดเจ็บได้
- ▶ อย่าให้ถ่านกระดุมร้อนมากเกินไป และอย่าโยนเข้ากองไฟ ถ่านกระดุมอาจรั่ว ระเบิด ใหม่ และทำให้บุคคลบาดเจ็บได้
- ▶ อย่าทำให้ถ่านกระดุมเสียหาย และอย่าถอดถ่านกระดุมออกจากกัน ถ่านกระดุมอาจรั่ว ระเบิด ใหม่ และทำให้บุคคลบาดเจ็บได้
- ▶ อย่านำถ่านกระดุมที่เสียหายไปสัมผัสกับน้ำ ลิเทียมที่ออกมาแล้วสัมผัสกับน้ำสามารถผลิตไฮโดรเจนได้ และด้วยเหตุนี้จึงทำให้เกิดไฟไหม้ ระเบิด หรือบุคคลบาดเจ็บได้
- ▶ ระวัง! การใช้เครื่องมือไฟฟ้าพร้อม Bluetooth® อาจรบกวนอุปกรณ์และเครื่องมืออื่นๆ เครื่องบิน และอุปกรณ์ทางการแพทย์ (เช่น เครื่องกระตุ้นหัวใจ เครื่องช่วยฟัง) นอกจากนี้ยังอาจเกิดความเสียหายต่อคนและสัตว์ในบริเวณใกล้เคียงด้วย อย่านำเครื่องมือไฟฟ้าพร้อม Bluetooth® ใกล้เคียงทางการแพทย์ สถานีบริการน้ำมัน โรงงานสารเคมี พื้นที่ที่มีบรรยากาศเสี่ยงต่อการระเบิด และพื้นที่ปฏิบัติการระเบิด อย่านำเครื่องมือไฟฟ้าพร้อม Bluetooth® ในเครื่องบิน หลีกเลี่ยงการทำงานเป็นระยะเวลานานตรงบริเวณใกล้เคียงโดยตรง

เครื่องหมายข้อความ Bluetooth® และยี่ห้อเป็นเครื่องหมายการค้าจดทะเบียนและเป็นกรรมสิทธิ์ของ Bluetooth SIG, Inc. บริษัท Robert Bosch Power Tools GmbH ได้รับใบอนุญาตใช้งานเครื่องหมายข้อความ/โลโก้ดังกล่าว

## สัญลักษณ์

สัญลักษณ์ต่อไปนี้มีความสำคัญต่อการใช้เครื่องมือไฟฟ้าของท่าน กรุณาจดจำสัญลักษณ์และความหมาย การแปลความสัญลักษณ์ได้ถูกต้องจะช่วยให้ท่านใช้เครื่องมือไฟฟ้าได้ดีและปลอดภัยกว่า

## สัญลักษณ์และความหมายของสัญลักษณ์



การบันทึกข้อมูลถูกเปิดใช้งานในเครื่องมือไฟฟ้านี้



เครื่องมือไฟฟ้าระบบเครือข่ายพร้อมเทคโนโลยี Bluetooth® ในตัว

## รายละเอียดผลิตภัณฑ์และข้อมูล

## จำเพาะ



อ่านค่าเตือนเพื่อความปลอดภัยและคำแนะนำทั้งหมด การไม่ปฏิบัติตามค่าเตือนและคำสั่งอาจเป็นสาเหตุให้ถูกไฟฟ้าดูด เกิดไฟไหม้ และ/หรือได้รับบาดเจ็บอย่างร้ายแรง

กรุณาดูภาพประกอบในส่วนหน้าของคู่มือการใช้งาน

## ประโยชน์การใช้งานของเครื่อง

เครื่องนี้ใช้สำหรับเจาะตอกในคอนกรีต อิฐ และหิน และยังใช้สำหรับงานสกัดเบาๆ เครื่องนี้ยังเหมาะสำหรับเจาะโดยไม่กระทบแก๊สในไม้ โลหะ เซรามิก และพลาสติกอีกด้วย เครื่องมือไฟฟ้าที่มีระบบควบคุมอิเล็กทรอนิกส์และการหมุนซ้าย/ขวาสามารถไขขันสกรูได้ด้วย

เมื่อมี Bluetooth® Low Energy Module ไล่อ้อย คุณจะสามารถถ่ายโอนข้อมูลและการตั้งค่าของเครื่องมือไฟฟ้าระหว่างเครื่องมือไฟฟ้าและอุปกรณ์เคลื่อนที่ปลายทางผ่านเทคโนโลยีไร้สาย Bluetooth®

## ส่วนประกอบที่แสดงภาพ

ลำดับเลขของส่วนประกอบผลิตภัณฑ์อ้างอิงถึงส่วนประกอบของเครื่องที่แสดงในหน้าภาพประกอบ

- (1) หัวจับดอก SDS plus
- (2) ด้ามจับเครื่องมือ SDS plus
- (3) ฝาครอบกันฝุ่น
- (4) ปดล็อกสำหรับล้อค
- (5) ปุ่มสำหรับปรับก้านวัดความลึก
- (6) ปุ่มปลดล๊อคสวิตช์หยุดกระแส/หยุดหมุน
- (7) สวิตช์หยุดกระแส/หยุดหมุน
- (8) สวิตช์เปลี่ยนทิศทางการหมุน
- (9) สวิตช์เปิด-ปิด

- (10) ด้ามจับ (พื้นผิวจับหุ้มฉนวน)
- (11) แบตเตอรี่แพ็ค<sup>a)</sup>
- (12) โฟล่องบริเวณทำงาน
- (13) ด้ามจับเพิ่ม (พื้นผิวจับหุ้มฉนวน)
- (14) ก้านวัดความลึก
- (15) อินเตอร์เฟสผู้ใช้
- (16) แป้นปลดล๊อคแบตเตอรี่<sup>a)</sup>
- (17) ไฟแสดงสถานะเครื่องมือไฟฟ้า (อินเตอร์เฟสผู้ใช้)
- (18) ไฟแสดงสถานะการชาร์จแบตเตอรี่ (อินเตอร์เฟสผู้ใช้)
- (19) ไฟแสดงการปิดระบบอย่างรวดเร็ว (อินเตอร์เฟสผู้ใช้)
- (20) ปุ่มสำหรับเลือกโหมดงาน (อินเตอร์เฟสผู้ใช้ งาน)
- (21) ไฟแสดงสมาร์ตโฟน (อินเตอร์เฟสผู้ใช้)
- (22) ไฟแสดงโหมดงาน (อินเตอร์เฟสผู้ใช้งาน)
- (23) ไฟแสดงอุณหภูมิ (อินเตอร์เฟสผู้ใช้)
- (24) ด้ามจับดอกทั่วไปที่มีก้าน SDS plus<sup>a)</sup>

a) อุปกรณ์ประกอบที่แสดงภาพหรืออธิบายไม่รวมอยู่ในการจัดส่งมาตรฐาน กรุณาดูอุปกรณ์ประกอบทั้งหมดในรายการแสดงอุปกรณ์ประกอบของเรา

## ข้อมูลทางเทคนิค

ส่วนกระแทกไร้สาย		GBH 187-LI
หมายเลขสินค้า		3 611 J23 0..
แรงดันไฟฟ้าพิกัด	V=	18
อัตราความเร็วพิกัด		
- การหมุนทางขวา	min <sup>-1</sup>	0-980
- การหมุนทางซ้าย	min <sup>-1</sup>	0-980
อัตรากระแส <sup>A)</sup>	min <sup>-1</sup>	0-4350
พลังงานกระแทกต่อครั้งตามระเบียบการ EPTA-Procedure 05:2016	จูล	2.4
ด้ามจับเครื่องมือ		SDS plus
Ø-การเจาะ สูงสุด		
- คอนกรีต <sup>B)</sup>	มม.	24
- เหล็กกล้า	มม.	13

ส่วนกระแทกไร้สาย		GBH 187-LI
- ไม้	มม.	30
น้ำหนักตามระเบียบการ EPTA-Procedure 01:2014 <sup>C)</sup>	กก.	3,4-4,3
อุณหภูมิโดยรอบที่แนะนำเมื่อชาร์จ	°C	0 ... +35
อุณหภูมิโดยรอบที่อนุญาตเมื่อใช้งาน <sup>D)</sup> และระหว่างการเก็บรักษา	°C	-20 ... +50
แบตเตอรี่ที่แนะนำ		GBA 18V... (≥4.0 Ah) ProCORE18V 8.0Ah/12.0Ah
เครื่องชาร์จที่แนะนำ		GAL 18... GAX 18... GAL 36...
<b>การถ่ายโอนข้อมูล</b>		
Bluetooth®		Bluetooth® 4.2 (Low Energy) <sup>E)</sup>
ช่วงสัญญาณสูงสุด	ม.	30 <sup>F)</sup>
ย่านความถี่ที่ใช้	เมกกะเฮิรตซ์	2400-2483.5
กำลังไฟฟ้าขาออก	มิลลิวัตต์	< 1
<b>การจ่ายพลังงาน Bluetooth® Low Energy Module</b>		
ถ่านกระดุม		แบตเตอรี่ลิเธียม 3V, CR 2450

ส่วนกระแทกไร้สาย		GBH 187-LI
อายุการใช้งานของเซลล์ขั้ว	ปี	5
โดยประมาณ		

- A) ดำเนินการวัด ณ อุณหภูมิ 20-25 °C พร้อมแบตเตอรี่ **ProCORE18V 12.0Ah**
- B) ประสิทธิภาพที่ดีที่สุดด้วยเส้นผ่านศูนย์กลางสว่าน 6-14 มม.
- C) ขึ้นอยู่กับแบตเตอรี่แพ็คที่ใช้
- D) สมรรถภาพจะน้อยลงที่อุณหภูมิ <0 °C
- E) อุปกรณ์เคลื่อนที่ปลายทางต้องเข้ากันได้กับอุปกรณ์ Bluetooth®-Low-Energy (รุ่น 4.2) และรองรับ Generic Access Profile (GAP)
- F) ช่วงสัญญาณอาจแตกต่างกันมาก ทั้งนี้ขึ้นอยู่กับเงื่อนไขภายนอก รวมทั้งอุปกรณ์รับสัญญาณที่ใช้ ภายในพื้นที่ปิดและเมื่อมีตัวกั้นที่เป็นโลหะ (ต. ย. เช่น ผนัง ชั้นวางของ กระเป๋าเดินทาง ฯลฯ) ช่วงสัญญาณ Bluetooth® อาจลดลงอย่างชัดเจน

## แบตเตอรี่

**Bosch** กำหนดอายุเครื่องมือไฟฟ้าไร้สายไม่รวมแบตเตอรี่แพ็คด้วยเช่นกัน คุณสามารถดูได้จากบรรจุภัณฑ์ว่า ขอบเขตการจัดส่งเครื่องมือไฟฟ้าของคุณมีแบตเตอรี่แพ็คหรือไม่

## การชาร์จแบตเตอรี่

▶ **ใช้เฉพาะเครื่องชาร์จแบตเตอรี่ที่ระบุในข้อมูลทางเทคนิคเท่านั้น** เฉพาะเครื่องชาร์จแบตเตอรี่เหล่านี้เท่านั้นที่เข้าชุดกับแบตเตอรี่ลิเธียม ไอออน ของเครื่องมือไฟฟ้าของท่าน

**หมายเหตุ:** แบตเตอรี่ลิเธียมไอออนถูกจัดส่งโดยมีการชาร์จไฟบางส่วนตามระเบียบข้อบังคับด้านการขนส่งระหว่างประเทศ เพื่อให้แน่ใจว่าแบตเตอรี่จะทำงานได้อย่างสมบูรณ์แบบ ก่อนใช้งานครั้งแรกให้ชาร์จแบตเตอรี่จนเต็ม

## การใส่แบตเตอรี่

ใส่แบตเตอรี่ที่ชาร์จแล้วเข้าไปในด้ามจับจนรู้สึกเข้าล็อก

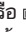

## การถอดแบตเตอรี่

เมื่อต้องการถอดแบตเตอรี่แพ็คออก ให้กดแป้นปลดล็อกแบตเตอรี่และดึงแบตเตอรี่แพ็คออกจากเครื่องมือไฟฟ้า **อย่าใช้กำลังดึง**

แบตเตอรี่แพ็คมีการล็อก 2 ระดับเพื่อป้องกันไม่ให้แบตเตอรี่แพ็คร่วงหล่นออกมาหากกดแป้นปลดล็อกแบตเตอรี่โดยไม่ตั้งใจ เมื่อแบตเตอรี่ถูกบรรจุอยู่ในเครื่องมือไฟฟ้า สปริงจะยึดแบตเตอรี่ให้เข้าตำแหน่ง

## ไฟแสดงสถานะการชาร์จแบตเตอรี่

ไฟ LED สีเขียวของการแสดงสถานะการชาร์จแบตเตอรี่แสดงสถานะการชาร์จของแบตเตอรี่ ด้วยเหตุผลด้านความปลอดภัยท่านสามารถตรวจสอบสถานะการชาร์จเฉพาะเมื่อเครื่องมือไฟฟ้าหยุดสนิทเท่านั้น

กดปุ่มสำหรับไฟแสดงสถานะการชาร์จแบตเตอรี่  หรือ  เพื่อแสดงสถานะการชาร์จ ท่านสามารถกดได้แม้เมื่อได้ถอดแบตเตอรี่ออกแล้ว

หลังจากกดปุ่มสำหรับไฟแสดงสถานะการชาร์จแบตเตอรี่แล้วไฟ LED ไม่ติดขึ้น แสดงว่าแบตเตอรี่บกพร่องและต้องเปลี่ยนใหม่

สถานะการชาร์จแบตเตอรี่จะปรากฏบน User Interface ไฟแสดงสถานะ

### แบตเตอรี่ชนิด GBA 18V...



LED	ความจุ
ไฟส่องสว่างต่อเนื่อง 3× สีเขียว	60–100 %
ไฟส่องสว่างต่อเนื่อง 2× สีเขียว	30–60 %
ไฟส่องสว่างต่อเนื่อง 1× สีเขียว	5–30 %
ไฟกะพริบ 1× สีเขียว	0–5 %

### แบตเตอรี่ชนิด ProCORE18V...



LED	ความจุ
ไฟส่องสว่างต่อเนื่อง 5 x สีเขียว	80–100 %
ไฟส่องสว่างต่อเนื่อง 4 x สีเขียว	60–80 %
ไฟส่องสว่างต่อเนื่อง 3 x สีเขียว	40–60 %
ไฟส่องสว่างต่อเนื่อง 2 x สีเขียว	20–40 %
ไฟส่องสว่างต่อเนื่อง 1 x สีเขียว	5–20 %
ไฟกะพริบ 1 x สีเขียว	0–5 %

## ข้อแนะนำในการปฏิบัติต่อแบตเตอรี่อย่างเหมาะสมที่สุด

ปกป้องแบตเตอรี่จากความชื้นและน้ำ

เก็บรักษาแบตเตอรี่แพ็คในช่วงอุณหภูมิ -20 °C ถึง 50 °C เท่านั้น อย่าปล่อยให้วางแบตเตอรี่แพ็คไว้ในรถยนต์ในช่วงฤดูร้อน

ทำความสะอาดของระบายอากาศเป็นประจำ  
ควรวางโดยใช้แผงขนอ่อนที่แห้งและสะอาด

หลังจากชาร์จแบตเตอรี่แล้ว หากแบตเตอรี่แพ็คมีช่วงเวลาทำงานสั้นมาก แสดงว่าแบตเตอรี่แพ็คเสื่อมและต้องเปลี่ยนใหม่  
อ่านและปฏิบัติตามข้อสังเกตสำหรับการกำจัดขยะ

## การติดตั้ง

- ▶ ถอดแบตเตอรี่ออกจากเครื่องมือไฟฟ้าก่อนทำการปรับแต่งใดๆ ที่เครื่องมือไฟฟ้า (ค. ย. เช่น บำรุงรักษา เปลี่ยนเครื่องมือ ฯลฯ) รวมทั้งเมื่อขนย้ายและเก็บรักษา อันตรายจากการบาดเจ็บหากสวิทช์เปิด-ปิดติดขึ้นอย่างไม่ตั้งใจ

### ด้ามจับเพิ่ม

- ▶ ใช้เครื่องมือไฟฟ้าร่วมกับด้ามจับเพิ่ม (13) เสมอ
- ▶ ตรวจสอบให้แน่ใจว่า ได้ขันที่จับเสริมให้แน่นเสมอ มิฉะนั้นคุณอาจสูญเสียการควบคุมเครื่องมือไฟฟ้าขณะทำงานได้

### การหมุนด้ามจับเพิ่ม (ดูภาพประกอบ A)

ท่านสามารถจับด้ามจับเพิ่ม (13) หันไปยังตำแหน่งใดก็ได้ เพื่อให้ได้ทำงานที่มั่นคงและเหนียวแน่น

- หมุนก้านจับด้านล่างของด้ามจับเพิ่ม (13) ทวนเข็มนาฬิกา และหันด้ามจับเพิ่ม (13) ไปยังตำแหน่งที่ต้องการ จากนั้นจึงหมุนก้านจับด้านล่างของด้ามจับเพิ่ม (13) ในทิศทางเข็มนาฬิกากลับเข้าที่ให้แน่น ตรวจสอบให้แน่ใจว่าสายรัดปรับความตึงของด้ามจับเพิ่มอยู่ในร่องที่ตัวเครื่อง

## การเปลี่ยนเครื่องมือ

ฝาครอบกันฝุ่น (3) ส่วนใหญ่จะป้องกันไม่ให้อันที่เกิดจากการเจาะลอดเข้าไปในด้ามจับเครื่องมือในระหว่างการใช้งาน เมื่อใส่เครื่องมือต้องระวังอย่าให้ฝาครอบกันฝุ่น (3) เสียหาย

- ▶ ต้องเปลี่ยนฝาครอบกันฝุ่นที่ชำรุดโดยทันที เราขอแนะนำว่า ควรส่งให้ศูนย์บริการหลังการขายเปลี่ยนให้

### การเปลี่ยนเครื่องมือ (SDS-plus)

#### การใส่เครื่องมือ SDS-plus (ดูภาพประกอบ B1)

หัวจับดอก SDS-plus ทำให้เปลี่ยนเครื่องมือเจาะได้ง่ายและสะดวกโดยไม่ต้องใช้เครื่องมืออื่นๆ ช่วย

- ทำความสะอาดและทาลูบจาระบีบางๆ ที่ปลายก้านเครื่องมือ
- จับเครื่องมือหมุนใส่ในด้ามจับเครื่องมือจนเข้าล็อกโดยอัตโนมัติ
- ดึงเครื่องมือเพื่อตรวจสอบการล็อก



ตามเงื่อนไขของระบบ เครื่องมือ SDS-plus สามารถเคลื่อนไหวได้อย่างอิสระ ดังนั้นเมื่อเดินตัวเปล่า เครื่องมือจะวิ่งส่ายจากแนวรัศมี ซึ่งจะไม่มีผลต่อความเที่ยงตรงของรูเจาะ ดอกสว่านจะตั้งตัวให้อยู่ตรงกลางเองระหว่างการเจาะ

**การถอดเครื่องมือ SDS-plus (คุณภาพประกอบ B2)**

- ดันบล็อกสำหรับล็อก (4) ไปด้านหลังและถอดเครื่องมือออก

**การดูดฝุ่น/ซีลื้อย**

ฝุ่นที่ได้จากวัสดุ เช่น เคลือบผิวที่มีสารตะกั่ว ไม้ยางประเภทแรชวูด และโลหะ อาจเป็นอันตรายต่อสุขภาพ การสัมผัสหรือการหายใจเอาฝุ่นเข้าไปอาจทำให้เกิดปฏิกิริยาแพ้ฝุ่น และ/หรือนำมาซึ่งโรคติดเชื้อระบบหายใจแก่ผู้ใช้เครื่องมือหรือผู้ที่ยืนอยู่ใกล้เคียง

ฝุ่นบางประเภท เช่น ฝุ่นไม้โอ๊ก หรือไม้บีช นับเป็นสารที่ทำให้เกิดมะเร็ง โดยเฉพาะอย่างยิ่งเมื่อผสมกับสารเติมแต่งเพื่อบำบัดไม้ (โครเมต ผลิตภัณฑ์รักษาเนื้อไม้) สำหรับวัสดุที่มีแอลเบสทอสต่องให้ผู้ใช้สวมหน้ากากทำงานเท่านั้น

- จัดสถานที่ทำงานให้มีภาวะระบายอากาศที่ดี
- ขอแนะนำให้สวมหน้ากากป้องกันการติดเชื้อที่มีระดับ-ISO กรอง P2

ปฏิบัติตามกฎข้อบังคับสำคัญอื่นๆ ที่เกี่ยวกับวัสดุชิ้นงานที่บังคับใช้ในประเทศของท่าน

- ▶ **ป้องกันการสะสมของฝุ่นในสถานที่ทำงาน**  
ฝุ่นสามารถถูกใหม่อย่างง่ายดาย

**การปฏิบัติงาน**

**การเริ่มต้นปฏิบัติงาน**

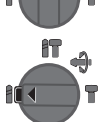
**การตั้งโหมดทำงาน**


ท่านสามารถเลือกโหมดทำงานของเครื่องมือไฟฟ้าด้วยสวิตช์หยุดกระแทก/หยุดหมุน (7)

- เมื่อต้องการเปลี่ยนโหมดทำงาน ให้กดปุ่มปลดล็อก (6) และหมุนสวิตช์หยุดกระแทก/หยุดหมุน (7) ไปยังตำแหน่งที่ต้องการจนได้ยินเสียงเข้าล็อก

**หมายเหตุ:** เปลี่ยนโหมดทำงานเฉพาะเมื่อเครื่องมือไฟฟ้าปิดสวิตช์อยู่เท่านั้น! มิฉะนั้นเครื่องมือไฟฟ้าอาจชำรุดได้

 ตำแหน่งสำหรับ **การเจาะดอก** ในคอนกรีตหรือหิน

 ตำแหน่งสำหรับ **การเจาะ** โดยไม่กระแทกในไม้ โลหะ เซรามิก และพลาสติก รวมทั้งการขัน **การขันสกรู**

 ตำแหน่ง **Vario-Lock** สำหรับปรับตำแหน่ง สกัด สวิตช์หยุดกระแทก/หยุดหมุน (7) จะไม่ล็อกในตำแหน่งนี้

 ตำแหน่งสำหรับ **การสกัด**

**การตั้งทิศทางการหมุน (คุณภาพประกอบ C)**

ท่านสามารถใช้สวิตช์เปลี่ยนทิศทางการหมุน (8) เพื่อเปลี่ยนทิศทางการหมุนของเครื่องมือไฟฟ้า อย่างไรก็ตามหากสวิตช์เปิด-ปิด (9) ถูกกดอยู่จะไม่สามารถเปลี่ยนทิศทางการหมุน

▶ **หมุนสวิตช์เปลี่ยนทิศทางการหมุน (8) เมื่อเครื่องหยุดนิ่งอยู่กับที่เท่านั้น**

ตั้งทิศทางการหมุนสำหรับการเจาะดอก การเจาะ และการสกัด ไว้ที่การหมุนทางขวาเสมอ

- **การหมุนทางขวา:** สำหรับการเจาะและการขันสกรูเข้าที่ กัดสวิตช์เปลี่ยนทิศทางการหมุน (8) ไปทางซ้ายจนสุด
- **การหมุนทางซ้าย:** สำหรับคลายหรือขันสกรูและนอตออก ให้กดสวิตช์เปลี่ยนทิศทางการหมุน (8) ไปทางขวาจนสุด

**การเปิด-ปิดเครื่อง**

- **เปิดสวิตช์** เครื่องมือไฟฟ้าโดยกดสวิตช์เปิด-ปิด (9)

โพล่งบริเวณทำงาน (12) จะส่องสว่างเมื่อกดสวิตช์เปิด-ปิด (9) เบาๆ หรือเต็มที่ และช่วยเพิ่มความสว่างในบริเวณทำงานภายใต้สภาพแสงที่ไม่เอื้ออำนวย

- เมื่อต้องการ**ปิดสวิตช์**เครื่องมือไฟฟ้าให้ปล่อยนิ้วจากสวิตช์เปิด-ปิด (9)

หากเครื่องทำงานภายใต้อุณหภูมิต่ำ เครื่องจะเริ่มตอก/กระแทกเต็มที่หลังจากเปิดเครื่องทำงานระยะหนึ่งแล้วเท่านั้น

**การตั้งอัตราความเร็ว/อัตรากระแทก**

ท่านสามารถปรับอัตราความเร็ว/อัตรากระแทกของเครื่องมือไฟฟ้าที่เปิดสวิตช์ทำงานได้อย่างต่อเนื่อง ทั้งนี้ขึ้นอยู่กับแรงที่กดลงบนสวิตช์เปิด-ปิด (9)

กดสวิตช์เปิด-ปิด (9) เบาจะได้อัตราความเร็ว/อัตรากระแทกต่ำ กดสวิตช์แรงยิ่งขึ้นจะได้อัตราความเร็ว/อัตรากระแทกเพิ่มขึ้น

ท่านสามารถควบคุมอัตราความเร็วได้ที่ อินเทอร์เน็ตผู้ใช้ หรือผ่าน App บนสมาร์ตโฟน

**การเปลี่ยนตำแหน่งสกัด (Vario-Lock)**

ท่านสามารถล็อกดอกสกัดได้ ตำแหน่ง ในลักษณะนี้ท่านสามารถตั้งทำงานได้เหมาะสมที่สุดสำหรับแต่ละรูปแบบการทำงาน

- ใส่ดอกสกัดเข้าในด้ามจับเครื่องมือ

- หมุนสวิตช์หยุดกระแทก/หยุดหมุน (7) ไปที่ตำแหน่ง "Vario-Lock"
- หมุนเครื่องมือไปยังตำแหน่งการสกรูที่ต้องการ
- หมุนสวิตช์หยุดกระแทก/หยุดหมุน (7) ไปที่ตำแหน่ง "การสกรู" ด้วยวิธีนี้ตามจับเครื่องมือจะถูกล็อคไว้

- ตั้งทิศทางหมุนสำหรับการสกรูไว้ที่การหมุนทางขวา

### อินเตอร์เฟซผู้ใช้ (ดูภาพประกอบ D)

อินเตอร์เฟซผู้ใช้ (15) ใช้สำหรับเลือกโหมดงานและสำหรับแสดงสถานะของเครื่องมือไฟฟ้า

#### ไฟแสดงสถานะ

ไฟแสดงสถานะการชาร์จแบตเตอรี่ (user interface) (18)	ความหมาย/สาเหตุ	วิธีแก้ปัญหา
สีเขียว (2 ถึง 5 แถบ)	ชาร์จแบตเตอรี่แล้ว	-
สีเหลือง (1 แถบ)	แบตเตอรี่ใกล้หมด	เปลี่ยนหรือชาร์จแบตเตอรี่ในไม่ช้า
สีแดง (1 แถบ)	แบตเตอรี่หมดประจุ	เปลี่ยนหรือชาร์จแบตเตอรี่
ไฟแสดงอุณหภูมิ (23)	ความหมาย/สาเหตุ	วิธีแก้ปัญหา
สีเหลือง	หากอุณหภูมิในการทำงานของแบตเตอรี่หรือเครื่องมือไฟฟ้าเพิ่มขึ้นอย่างมาก ประสิทธิภาพจะลดลง	ปล่อยให้เครื่องมือไฟฟ้าเย็นลงหรือเปลี่ยนแบตเตอรี่แพ็คเกจที่ร้อนเกิน
สีแดง	หากอุณหภูมิในการทำงานของแบตเตอรี่หรือเครื่องมือไฟฟ้าสูงเกิน เครื่องมือไฟฟ้าจะปิดเพื่อป้องกัน	ปล่อยให้เครื่องมือไฟฟ้าเย็นลงหรือเปลี่ยนแบตเตอรี่แพ็คเกจที่ร้อนเกิน
ไฟแสดงสถานะเครื่องมือไฟฟ้า (17)	ความหมาย/สาเหตุ	วิธีแก้ปัญหา
สีเขียว	สถานะ OK	-
สีเหลือง	อุณหภูมิถึงขั้นวิกฤติหรือแบตเตอรี่ใกล้หมด	ปล่อยให้เครื่องมือไฟฟ้าเย็นลง หรือเปลี่ยนหรือชาร์จแบตเตอรี่
สีแดง	เครื่องมือไฟฟ้าร้อนเกินไปหรือแบตเตอรี่หมดประจุ	ปล่อยให้เครื่องมือไฟฟ้าเย็นลง หรือเปลี่ยนหรือชาร์จแบตเตอรี่
สีแดง	กดสวิตช์หยุดกระแทก/การหมุนในระหว่างดำเนินงาน	ปิดสวิตช์เครื่องมือไฟฟ้าและเปิดสวิตช์อีกครั้ง
	มอเตอร์ติดขัด, แบตเตอรี่ร้อนเกินไป	ชาร์จแบตเตอรี่หรือใช้แบตเตอรี่ชนิดที่แนะนำ
	ความผิดพลาดทั่วไป	- ปิดสวิตช์เครื่องมือไฟฟ้าและเปิดสวิตช์อีกครั้ง หรือถอดแบตเตอรี่ออกแล้วใส่กลับเข้าไปใหม่อีกครั้ง
		หากยังคงเกิดปัญหาอยู่:
		- ส่งเครื่องมือไฟฟ้าไปยังฝ่ายบริการลูกค้า
กะพริบสีแดง	การปิดระบบอย่างรวดเร็วถูกเรียกใช้งาน	ปิดสวิตช์เครื่องมือไฟฟ้าและเปิดสวิตช์อีกครั้ง
- ใช้งานร่วมกับไฟแสดงการปิดระบบอย่างรวดเร็ว (19)		
กะพริบสีฟ้า	เชื่อมต่อเครื่องมือไฟฟ้าผ่าน Bluetooth® เข้ากับอุปกรณ์เคลื่อนที่ปลายทาง	-

ไฟแสดงสถานะเครื่องมือไฟฟ้า (17)	ความหมาย/สาเหตุ	วิธีแก้ปัญหา
---------------------------------	-----------------	--------------

หรือ  
กำลังถ่ายโอนการตั้งค่า

ไฟแสดงสมาร์ตโฟน (21)	ความหมาย/สาเหตุ	วิธีแก้ปัญหา
----------------------	-----------------	--------------

สีขาว มีข้อมูลสำคัญ (ต. ย. เช่น การแจ้งเตือน อุณหภูมิ) อ่านข้อความบนสมาร์ตโฟน

### การเลือกโหมดงาน

กลุ่ม (20) ซ้ำๆ เพื่อเลือกโหมดงานจนโหมดงานที่ต้องการส่องสว่างขึ้น

หมายเหตุ: ในโหมดงาน **Favorite** ฟังก์ชันจะถูกกำหนดค่าผ่าน App บนสมาร์ตโฟน ในโหมดงาน **Auto** ฟังก์ชันจะถูกตั้งไว้ล่วงหน้า

ไฟแสดงโหมดงาน (22)	ฟังก์ชัน
--------------------	----------

#### Auto ส่องสว่าง

ในโหมดงาน **Auto** เครื่องมือไฟฟ้าถึงกำลังสูงสุด

- 100 % ของความเร็วสูงสุด
- การปิดระบบอย่างรวดเร็ว (Kickback Control)

#### Favorite ส่องสว่าง

ในโหมดงาน **Favorite** เครื่องมือไฟฟ้าสามารถกำหนดค่าแต่ละรายการผ่าน App บนสมาร์ตโฟน

- ความเร็วที่กำหนดได้ในหลายขั้นตอนสำหรับการใช้งานที่แตกต่างกัน: ความเร็วต่ำ/ปานกลาง/สูง (100 % ของความเร็วสูงสุด)

### ข้อแนะนำในการทำงาน

- ▶ เครื่องมือไฟฟ้าซึ่งมี **Bluetooth® Low Energy Module** มีส่วนต่อประสานทางคลื่นวิทยุติดตั้งอยู่ในตัว ต้องปฏิบัติตามข้อจำกัดในการใช้งานในท้องถิ่น ต. ย. เช่น ในเครื่องบิน หรือโรงพยาบาล
- ▶ ในพื้นที่ที่ไม่อนุญาตให้ใช้เทคโนโลยีไร้สาย **Bluetooth®** คุณต้องปิด **Bluetooth® Low Energy Module** ผ่านแอป

### การปรับความลึกการเจาะ (ดูภาพประกอบ E)

ท่านสามารถใช้ก้านวัดความลึก (14) เพื่อตั้งความลึกการเจาะ **X** ที่ต้องการ

- กดปุ่มสำหรับปรับก้านวัดความลึก (5) และใส่ก้านวัดความลึกเข้าในตำแหน่ง (13) ต้องหันพื้นผิวที่เป็นร่องบนก้านวัดความลึก (14) ลงด้านล่าง
- ดันเครื่องมือ SDS-plus เข้าในตำแหน่งเครื่องมือ SDS-plus (2) จนสุด หากเครื่องมือ SDS-plus เคลื่อนไหว อาจทำให้ปรับความลึกการเจาะได้ไม่ถูกต้อง
- ดึงก้านวัดความลึกออกมาจนระยะห่างระหว่างปลายดอกสว่านและปลายก้านวัดความลึกเท่ากับความลึกการเจาะที่ต้องการ **X**

### คลัตช์ตัดการทำงานเกินกำลัง

- ▶ หากเครื่องมือที่ใส่อยู่เกิดขัดหรือติดแน่น แรงขับไปยังเพลาสว่านจะสะดุดหยุด เนื่องจากแรงบิดที่เกิดขึ้น ต้องถือเครื่องมือไฟฟ้าให้แน่นด้วยมือทั้งสองข้างและหาที่ยืนที่มั่นคงเสมอ
- ▶ หากเครื่องมือไฟฟ้าติดขัด ให้ปิดสวิตช์เครื่องและปลดเครื่องมือที่ใส่อยู่ออก หากเปิดสวิตช์โดยที่เครื่องมือเจาะติดขัดอยู่ อาจเกิดแรงปฏิกิริยาบิดสูง

### การปิดระบบอย่างรวดเร็ว (Kickback Control)



การปิดระบบอย่างรวดเร็ว (Kickback Control) ช่วยให้สามารถควบคุมเครื่องมือไฟฟ้าได้ดียิ่งขึ้นและปกป้องผู้ใช้อย่างยิ่งขึ้นเมื่อเทียบกับเครื่องมือไฟฟ้าที่ไม่มี Kickback Control เมื่อเครื่องมือไฟฟ้าหมุนรอบแกนสว่านอย่างฉับพลันและไม่คาดคิด เครื่องมือไฟฟ้าจะปิดสวิตช์ไฟ แสดงการปิดเครื่องอย่างรวดเร็ว (19) ส่องสว่างและไฟแสดงการทำงาน (12) กระพริบ เมื่อการปิดระบบอย่างรวดเร็วเปิดใช้งาน ไฟแสดงสถานะ (17) จะกระพริบสีแดง

- เมื่อต้องการเริ่มต้นทำงานอีกครั้ง ให้ปล่อยนิ้วจากสวิตช์เปิด-ปิด (9) และกดสวิตช์อีกครั้ง

### การใส่ดอกไขควง (คุณภาพประกอบ F)

- ▶ **จับเครื่องมือไฟฟ้าเข้านหัวสกรู/น็อตเมื่อเครื่องปิดอยู่เท่านั้น** เครื่องมือที่หมุนอยู่อาจลื่นไถล

เมื่อใช้ดอกไขควงทำงานต้องใช้ด้ามจับดอกทั่วไป (24) ที่มีก้านติดตั้ง SDS-plus (อุปกรณ์ประกอบ) ร่วมด้วย

- ทำความสะอาดปลายก้านติดตั้ง และเคลือบจาระบีบางๆ
- จับด้ามจับดอกทั่วไปหมุนใส่ในด้ามจับเครื่องมือจนเข้าล็อกโดยอัตโนมัติ
- ดึงด้ามจับดอกทั่วไปเพื่อตรวจสอบการล็อก
- ใส่ดอกไขควงเข้านในด้ามจับดอกทั่วไป ใช้ดอกไขควงที่มีขนาดพอดีกับหัวสกรูเท่านั้น
- เมื่อต้องการถอดด้ามจับดอกทั่วไปออกให้ดึงปลอกสำหรับล็อก (4) ไปด้านหลัง และถอดด้ามจับดอกทั่วไป (24) ออกจากด้ามจับเครื่องมือ

## ฟังก์ชันการเชื่อมต่อ

### ข้อกำหนดของระบบสำหรับการใช้ App

#### ความต้องการของระบบ

อุปกรณ์เคลื่อนที่ที่ปลาย	Android 5.1 (และสูงกว่า)
(แท็บเล็ต สมาร์ทโฟน)	iOS 10 (และสูงกว่า)

### การติดตั้งและตั้งค่า App

เพื่อที่จะสามารถใช้ฟังก์ชัน Connectivity ได้ ก่อนอื่นคุณต้องติดตั้ง App ซึ่งขึ้นอยู่กับอุปกรณ์ปลายทาง

- ให้ดาวน์โหลด App ผ่าน App Store ที่สอดคล้องกัน (Apple App Store, Google Play Store)

หมายเหตุ: ท่านจำเป็นต้องมีบัญชีผู้ใช้ที่ AppStore นั้นๆ

ชื่อ App	iOS	Android
Bosch Toolbox		

#### ชื่อ App

Bosch  
BeConnected



- จากนั้น ใน App ให้เลือกรายการย่อย **MyTools** หรือ **Connectivity**

- จอแสดงผลบนอุปกรณ์เคลื่อนที่ปลายทางของท่านจะแสดงขั้นตอนต่อไปทั้งหมดเกี่ยวกับการเชื่อมต่อเครื่องมือไฟฟ้ากับอุปกรณ์ปลายทาง

### การถ่ายโอนข้อมูลผ่าน Bluetooth®

Bluetooth® Low Energy Module ที่ติดตั้งในตัวส่งสัญญาณอย่างสม่ำเสมอ อาจจำเป็นต้องมีระยะทางการส่งสัญญาณหลายรอบก่อนตรวจพบเครื่องมือไฟฟ้า ทั้งนี้ขึ้นอยู่กับสภาพแวดล้อม หากไม่พบเครื่องมือไฟฟ้า ควรตรวจสอบดังต่อไปนี้:

- ระยะทางไปยังอุปกรณ์เคลื่อนที่ปลายทางไกลเกินไปหรือไม่?
- ระยะห่างระหว่างอุปกรณ์เคลื่อนที่ปลายทางและเครื่องมือไฟฟ้า
- แบตเตอรี่ระดับของ Bluetooth® Low Energy Module ซึ่งติดตั้งภายในอ่อนหรือหมดประจุหรือไม่?
- ศูนย์บริการหลังการขายที่ได้รับมอบหมายเพื่อเปลี่ยนแบตเตอรี่ระดับสำหรับเครื่องมือไฟฟ้า Bosch
- ปิด Bluetooth® บนอุปกรณ์เคลื่อนที่ปลายทางและเปิดอีกครั้ง
- กรุณาตรวจสอบว่า ตรวจพบเครื่องมือไฟฟ้าแล้วหรือไม่

### ฟังก์ชันที่ใช้สำหรับเครื่องมือไฟฟ้า

เมื่อใช้ร่วมกับ Bluetooth® Low Energy Module จะมีฟังก์ชันการเชื่อมต่อต่อไปนี้สำหรับเครื่องมือไฟฟ้า:

- การลงทะเบียนและตั้งค่าส่วนบุคคล
- การตรวจสอบสถานะและการส่งออกข้อความแจ้งเตือน
- ข้อมูลทั่วไปและการตั้งค่า
- การจัดการ
- การปรับการตั้งค่าการส่งสัญญาณ Bluetooth® สำหรับโหมดการทำงาน **Favorite**

## การบำรุงรักษาและการบริการ

### การบำรุงรักษาและการทำความสะอาด

- ▶ **ถอดแบตเตอรี่ออกจากเครื่องมือไฟฟ้าก่อนทำการปรับแต่งใดๆ ที่เครื่องมือไฟฟ้า (ค. ย. เช่น บำรุงรักษา เปลี่ยนเครื่องมือ ฯลฯ) รวมทั้งเมื่อขนย้ายและเก็บรักษา** อันตรายจากการบาดเจ็บหากสวิตช์เปิด-ปิดติดขึ้นอย่างไม่ตั้งใจ

- ▶ เพื่อให้ทำงานได้อย่างถูกต้องและปลอดภัย ต้องรักษาเครื่องและของระบายนอากาศให้สะอาดอยู่เสมอ
- ▶ ต้องเปลี่ยนฝาครอบกันฝุ่นที่ชำรุดโดยทันที เราขอแนะนำว่าควรส่งให้ศูนย์บริการหลังการขายเปลี่ยนให้

– ทำความสะอาดตามจับเครื่องมือ (2) ทุกครั้งหลังใช้งาน

#### เปลี่ยนแบตเตอรี่กระดุมที่ติดตั้งในตัว

Bluetooth® Low Energy Module มีถ่านกระดุม หากแบตเตอรี่กระดุมอ่อนหรือหมดประจุ จะได้รับการแจ้งเตือนผ่าน **Bosch Toolbox** การเปลี่ยนแบตเตอรี่กระดุม ต้องดำเนินการโดย Bosch หรือศูนย์บริการลูกค้าที่ได้รับอนุญาต สำหรับเครื่องมือไฟฟ้าของ Bosch

- ▶ **โปรดทราบ:** ต้องเปลี่ยนใช้ถ่านกระดุมประเภทเดียวกันเสมอ อันตรายจากการระเบิด

- ▶ **นำถ่านกระดุมที่หมดไฟแล้วออกมา และนำไปกำจัดอย่างถูกต้อง** ถ่านกระดุมที่หมดไฟแล้วอาจรั่วไหล และส่งผลกระทบต่อผลิตภัณฑ์หรือทำให้บุคคลบาดเจ็บได้

#### การบริการหลังการขายและการให้คำปรึกษาการใช้งาน

ศูนย์บริการหลังการขายของเรายินดีตอบคำถามของท่านที่เกี่ยวกับการบำรุงรักษาและการซ่อมแซมผลิตภัณฑ์รวมทั้งเรื่องอะไหล่ ภาพเขียนแบบการประกอบและข้อมูลเกี่ยวกับอะไหล่ กรุณาดูใน: [www.bosch-pt.com](http://www.bosch-pt.com)

ทีมงานที่ปรึกษาของ บอช ยินดีให้ข้อมูลเกี่ยวกับผลิตภัณฑ์ของเราและอุปกรณ์ประกอบต่างๆ เมื่อต้องการสอบถามและสั่งซื้ออะไหล่ กรุณาแจ้งหมายเลขสินค้า 10 หลักบนแผ่นป้ายรุ่นของผลิตภัณฑ์ทุกครั้ง

#### ไทย

ไทย บริษัท โรเบิร์ต บอช จำกัด  
 เอฟวายไอ เซ็นเตอร์ อาคาร 1 ชั้น 5  
 เลขที่ 2525 ถนนพระราม 4  
 แขวงคลองเตย เขตคลองเตย กรุงเทพฯ 10110  
 โทร: +66 2012 8888  
 แฟกซ์: +66 2064 5800  
[www.bosch.co.th](http://www.bosch.co.th)

ศูนย์บริการซ่อมและฝึกอบรม บอช  
 อาคาร ลาซาลทาวเวอร์ ชั้น G ห้องเลขที่ 2  
 บ้านเลขที่ 10/11 หมู่ 16  
 ถนนศรีนครินทร์ ตำบลบางแก้ว อำเภอบางพลี  
 จังหวัดสมุทรปราการ 10540  
 ประเทศไทย

โทรศัพท์ 02 7587555

โทรสาร 02 7587525

สามารถดูที่อยู่ศูนย์บริการอื่นๆ ได้ที่:

[www.bosch-pt.com/serviceaddresses](http://www.bosch-pt.com/serviceaddresses)

#### การขนส่ง

แบตเตอรี่ลิเทียมไอออนที่แนะนำให้ใช้ อยู่ภายใต้ข้อกำหนดแห่งกฎหมายสินค้าอันตราย ผู้ใช้สามารถขนส่งแบตเตอรี่แพ็คโดยทางถนนโดยไม่มีข้อบังคับหากขนส่งโดยบุคคลที่สาม (เช่น : การขนส่งทางอากาศ หรือตัวแทนขนส่งสินค้า) ต้องปฏิบัติตามข้อกำหนดพิเศษเกี่ยวกับการบรรจุภัณฑ์และการติดฉลาก สำหรับการจัดเตรียมสิ่งของที่จะจัดส่ง จำเป็นต้องปรึกษาผู้เชี่ยวชาญด้านวัตถุอันตราย ส่งแบตเตอรี่แพ็คเมื่อตัวหุ้มไม่ชำรุดเสียหายเท่านั้น ใช้แถบกาวยึดปิดหน้าสัมผัสที่เปิดอยู่ และนำแบตเตอรี่แพ็คใส่กล่องบรรจุโดยไม่ให้เคลื่อนไปมาในกล่องได้ นอกจากนี้ กรุณาปฏิบัติตามกฎระเบียบของประเทศซึ่งอาจมีรายละเอียดเพิ่มเติม

#### การกำจัดขยะ



เครื่องมือไฟฟ้า แบตเตอรี่แพ็ค อุปกรณ์ประกอบ และหีบห่อ ต้องนำ

ไปแยกประเภทวัสดุเพื่อนำกลับมาใช้ใหม่โดยไม่ทำลายสภาพแวดล้อม



อย่าทิ้งเครื่องมือไฟฟ้าและแบตเตอรี่แพ็ค/แบตเตอรี่ที่นำกลับมาชาร์จใหม่ได้ ลงในขยะบ้าน!

#### แบตเตอรี่แพ็ค/แบตเตอรี่:

##### ลิเทียม ไอออน:

กรุณาปฏิบัติตามคำแนะนำในบทการขนส่ง (ดู "การขนส่ง", หน้า 61)

## Bahasa Indonesia

### Petunjuk Keselamatan

#### Petunjuk keselamatan umum untuk perkakas listrik

**⚠ PERINGATAN** Baca semua peringatan, petunjuk, ilustrasi, dan spesifikasi keselamatan yang diberikan bersama perkakas listrik

ini. Kesalahan dalam menjalankan petunjuk di bawah ini dapat mengakibatkan sengatan listrik, kebakaran, dan/atau cedera serius.

**Simpanlah semua peringatan dan petunjuk untuk penggunaan di masa mendatang.**

Istilah "perkakas listrik" dalam peringatan mengacu pada perkakas listrik yang dioperasikan dengan listrik (menggunakan kabel) atau perkakas listrik yang dioperasikan dengan baterai (tanpa kabel).

**Keamanan tempat kerja**

- ▶ **Jaga kebersihan dan pencahayaan area kerja.** Area yang berantakan atau gelap dapat memicu kecelakaan.
- ▶ **Jangan mengoperasikan perkakas listrik di lingkungan yang dapat memicu ledakan, seperti adanya cairan, gas, atau debu yang mudah terbakar.** Perkakas listrik dapat memancarkan bunga api yang kemudian mengakibatkan debu atau uap terbakar.
- ▶ **Jauhkan dari jangkauan anak-anak dan pengamat saat mengoperasikan perkakas listrik.** Gangguan dapat menyebabkan hilangnya kendali.

**Keamanan listrik**

- ▶ **Steker perkakas listrik harus sesuai dengan stopkontak. Jangan pernah memodifikasi steker. Jangan menggunakan steker adaptor bersama dengan perkakas listrik yang terhubung dengan sistem grounding.** Steker yang tidak dimodifikasi dan stopkontak yang cocok akan mengurangi risiko sengatan listrik.
- ▶ **Hindari kontak badan dengan permukaan yang terhubung dengan sistem grounding, seperti pipa, radiator, kompor, dan lemari es.** Terdapat peningkatan risiko terjadinya sengatan listrik jika badan Anda terhubung dengan sistem grounding.
- ▶ **Perkakas listrik tidak boleh terpapar hujan atau basah.** Air yang masuk ke dalam perkakas listrik menambah risiko terjadinya sengatan listrik.
- ▶ **Jangan menyalahgunakan kabel. Jangan gunakan kabel untuk membawa, menarik, atau melepas steker perkakas listrik. Jauhkan kabel dari panas, minyak, tepi yang tajam, atau komponen yang bergerak.** Kabel listrik yang rusak atau tersangkut menambah risiko terjadinya sengatan listrik.
- ▶ **Saat mengoperasikan perkakas listrik di luar ruangan, gunakan kabel ekstensi yang sesuai untuk penggunaan di luar ruangan.** Penggunaan kabel yang cocok untuk pemakaian di luar ruangan mengurangi risiko terjadinya sengatan listrik.
- ▶ **Jika perkakas listrik memang harus dioperasikan di tempat yang lembap, gunakan pemutus arus listrik residu (RCD).** Penggunaan RCD akan mengurangi risiko terjadinya sengatan listrik.

**Keselamatan personel**

- ▶ **Tetap waspada, perhatikan aktivitas yang sedang dikerjakan dan gunakan akal sehat saat mengoperasikan perkakas listrik. Jangan gunakan**

**perkakas listrik saat mengalami kelelahan atau di bawah pengaruh narkoba, alkohol, atau obat-obatan.**

Jika perkakas listrik dioperasikan dengan daya konsentrasi yang rendah, hal tersebut dapat menyebabkan cedera serius.

- ▶ **Gunakan peralatan pelindung diri. Selalu kenakan pelindung mata.** Penggunaan perlengkapan pelindung seperti penutup telinga, helm, sepatu anti licin, dan masker debu akan mengurangi cedera.
- ▶ **Hindari start yang tidak disengaja. Pastikan switch berada di posisi off sebelum perkakas listrik dihubungkan ke sumber daya listrik dan/atau baterai, diangkat, atau dibawa.** Membawa perkakas listrik dengan jari menempel pada tombol atau perkakas listrik dalam keadaan hidup dapat memicu kecelakaan.
- ▶ **Singkirkan kunci penyetel atau kunci pas sebelum menghidupkan perkakas listrik.** Perkakas atau kunci pas yang masih menempel pada komponen perkakas listrik yang berputar dapat menyebabkan cedera.
- ▶ **Jangan melampaui batas. Berdirilah secara mantap dan selalu jaga keseimbangan.** Hal ini akan memberikan kontrol yang lebih baik terhadap perkakas listrik pada situasi yang tak terduga.
- ▶ **Kenakan pakaian dengan wajar. Jangan mengenakan perhiasan atau pakaian yang longgar. Jauhkan rambut dan pakaian dari komponen yang bergerak.** Pakaian yang longgar, rambut panjang, atau perhiasan dapat tersangkut dalam komponen yang bergerak.
- ▶ **Jika disediakan perangkat untuk sambungan pengisapan debu dan alat pengumpulan, pastikan perangkat tersebut terhubung dan digunakan dengan benar.** Penggunaan alat pengumpulan dapat mengurangi bahaya yang disebabkan oleh debu.
- ▶ **Jangan berpuas diri dan mengabaikan prinsip keselamatan karena terbiasa mengoperasikan perkakas.** Tindakan yang kurang hati-hati dapat mengakibatkan cedera serius dalam waktu sepersekian detik.

**Penggunaan dan pemeliharaan perkakas listrik**

- ▶ **Jangan memaksakan perkakas listrik. Gunakan perkakas listrik yang sesuai untuk pekerjaan yang dilakukan.** Perkakas listrik yang sesuai akan bekerja dengan lebih baik dan aman sesuai tujuan penggunaan.
- ▶ **Jangan gunakan perkakas listrik dengan switch yang tidak dapat dioperasikan.** Perkakas listrik yang switchnya yang tidak berfungsi dapat menimbulkan bahaya dan harus diperbaiki.
- ▶ **Lepaskan steker dari sumber listrik dan/atau lepas baterai, jika dapat dilepaskan dari perkakas listrik sebelum menyetel, mengganti aksesoris, atau menyimpan perkakas listrik.** Tindakan preventif akan mengurangi risiko menghidupkan perkakas listrik secara tidak disengaja.
- ▶ **Jauhkan dan simpan perkakas listrik dari jangkauan anak-anak dan jangan biarkan orang-orang yang tidak mengetahui cara menggunakan perkakas listrik,**

**mengoperasikan perkakas listrik.** Perkakas listrik dapat membahayakan jika digunakan oleh orang-orang yang tidak terlatih.

- ▶ **Lakukan pemeliharaan perkakas listrik dan aksesoris. Periksa komponen yang bergerak apabila tidak lurus atau terikat, kerusakan komponen, dan kondisi lain yang dapat mengganggu pengoperasian perkakas listrik. Apabila rusak, perbaiki perkakas listrik sebelum digunakan.** Kecelakaan sering terjadi karena perkakas listrik tidak dirawat dengan baik.
- ▶ **Jaga ketajaman dan kebersihan alat.** Alat pemotong dengan pisau pemotong yang tajam dan dirawat dengan baik tidak akan mudah tersangkut dan lebih mudah dikendalikan.
- ▶ **Gunakan perkakas listrik, aksesoris, dan komponen perkakas dll sesuai dengan petunjuk ini, dengan mempertimbangkan kondisi kerja dan pekerjaan yang akan dilakukan.** Penggunaan perkakas listrik untuk tujuan berbeda dari fungsinya dapat menyebabkan situasi yang berbahaya.
- ▶ **Jaga gagang dan permukaan genggam agar tetap kering, bersih, dan bebas dari minyak dan lemak.** Gagang dan permukaan genggam yang licin tidak menjamin keamanan kerja dan kontrol alat yang baik pada situasi yang tidak terduga.

#### Penggunaan dan pemeliharaan perkakas baterai

- ▶ **Isi ulang daya hanya dengan pengisi daya yang ditentukan oleh produsen.** Pengisi daya yang sesuai untuk satu jenis set baterai dapat menyebabkan risiko kebakaran apabila digunakan dengan set baterai lain.
- ▶ **Hanya gunakan perkakas listrik dengan set baterai yang dirancang khusus.** Penggunaan set baterai lain dapat menyebabkan risiko cedera dan kebakaran.
- ▶ **Apabila set baterai tidak digunakan, jauhkan dari benda logam lainnya, seperti klip kertas, koin, kunci, paku, sekrup, atau benda logam kecil lainnya yang dapat membuat sambungan dari satu terminal ke terminal lainnya.** Memendekkan terminal baterai dapat menyebabkan kebakaran atau api.
- ▶ **Cairan dapat keluar dari baterai jika baterai tidak digunakan dengan benar; hindari kontak. Jika terjadi kontak secara tidak disengaja, bilas dengan air. Jika cairan mengenai mata, segera hubungi bantuan medis.** Cairan yang keluar dari baterai dapat menyebabkan iritasi atau luka bakar.
- ▶ **Jangan gunakan set baterai atau perkakas yang rusak atau telah dimodifikasi.** Baterai yang rusak atau telah dimodifikasi dapat menimbulkan kejadian yang tak terduga seperti kebakaran, ledakan, atau risiko cedera.
- ▶ **Jangan meletakkan set baterai atau perkakas di dekat api atau suhu tinggi.** Paparan terhadap api atau suhu di atas 130 °C dapat memicu ledakan.
- ▶ **Ikuti semua petunjuk pengisian daya dan jangan mengisi daya set baterai atau perkakas di luar rentang suhu yang ditentukan dalam petunjuk.** Pengisian daya yang tidak tepat atau di luar rentang suhu yang ditentukan

dapat merusak baterai dan meningkatkan risiko kebakaran.

#### Servis

- ▶ **Minta teknisi berkualifikasi untuk menyervis perkakas listrik dengan hanya menggunakan suku cadang yang identik.** Dengan demikian, hal ini akan memastikan keamanan perkakas listrik.
- ▶ **Jangan pernah melakukan servis pada baterai yang telah rusak.** Servis baterai hanya boleh dilakukan oleh produsen atau penyedia servis resmi.

#### Petunjuk keselamatan untuk hammer

##### Petunjuk keselamatan untuk semua pengoperasian

- ▶ **Kenakan sumbat telinga.** Suara bising alat dapat menyebabkan berkurangnya pendengaran.
- ▶ **Gunakan handle tambahan, jika tersedia.** Kehilangan kendali dapat menyebabkan cedera.
- ▶ **Pegang perkakas listrik pada permukaan gagang isolator saat digunakan, karena aksesoris pemotong atau alat pengencang dapat saja bersentuhan dengan kabel yang tidak terlihat.** Aksesoris pemotong dan alat pengencang yang bersentuhan dengan kabel yang dialiri listrik dapat menyebabkan terbukanya bagian logam dari alat yang dialiri listrik sehingga berisiko mengakibatkan sengatan listrik pada operator.

##### Petunjuk keselamatan saat menggunakan mata bor panjang dengan rotary hammer

- ▶ **Selalu hidupkan alat bor pada kecepatan rendah dengan ujung mata bor menyentuh benda kerja.** Pada kecepatan yang tinggi, mata bor akan membengkok jika berputar secara bebas tanpa menyentuh benda kerja dan dapat menyebabkan cedera terhadap pengguna.
- ▶ **Tekan hanya pada garis langsung dengan mata bor dan jangan tekan secara berlebihan.** Mata bor dapat membengkok dan menyebabkan kerusakan atau hilang kendali sehingga menyebabkan cedera terhadap pengguna.

##### Petunjuk keselamatan tambahan

- ▶ **Gunakanlah alat detektor logam yang cocok untuk mencari kabel dan pipa yang tidak terlihat atau hubungi perusahaan pengadaan setempat.** Sentuhan dengan kabel-kabel listrik dapat mengakibatkan api dan kontak listrik. Pipa gas yang rusak dapat mengakibatkan ledakan. Pipa air yang rusak mengakibatkan barang-barang menjadi rusak.
- ▶ **Sebelum meletakkan perkakas listrik, tunggulah hingga perkakas berhenti berputar.** Alat kerja dapat tersangkut dan menyebabkan perkakas listrik tidak dapat dikendalikan.
- ▶ **Gunakan alat kerja dengan aman.** Benda yang ditahan dalam alat pemegang atau bais lebih aman daripada benda yang dipegang dengan tangan.
- ▶ **Asap dapat keluar apabila terjadi kerusakan atau penggunaan yang tidak tepat pada baterai. Baterai dapat terbakar atau meledak.** Biarkan udara segar

mengalir masuk dan kunjungi dokter apabila mengalami gangguan kesehatan. Asap tersebut dapat mengganggu saluran pernafasan.

- ▶ **Jangan membuka baterai.** Ada bahaya terjadinya korsleting.
- ▶ **Baterai dapat rusak akibat benda-benda lancip, seperti jarum, obeng, atau tekanan keras dari luar.** Hal ini dapat menyebabkan terjadinya hubungan singkat internal dan baterai dapat terbakar, berasap, meledak, atau mengalami panas berlebih.
- ▶ **Hanya gunakan baterai pada produk yang dibuat oleh produsen.** Hanya dengan cara ini, baterai dapat terlindung dari kelebihan muatan.



**Lindungi baterai dari panas, misalnya juga dari paparan sinar matahari dalam waktu yang lama, api, kotoran, air dan kelembapan.** Terdapat risiko ledakan dan korsleting.



- ▶ **Jangan menyentuh alat sisipan atau bagian housing yang berdekatan sesaat setelah pengoperasian.** Alat sisipan atau housing tersebut dapat menjadi sangat panas selama pengoperasian sehingga menyebabkan luka bakar.
- ▶ **Alat sisipan dapat berhenti saat pengeboran. Pegang erat perkakas listrik dengan kedua tangan dan pastikan Anda berdiri di posisi yang aman.** Jika tidak, Anda dapat kehilangan kendali atas perkakas listrik.
- ▶ **Berhati-hatilah saat menghancurkan suatu objek dengan pahat.** Serpihan-serpihan yang jatuh dari material yang dihancurkan dapat mencederai Anda atau orang di sekitar Anda.
- ▶ **Pegang erat perkakas listrik dengan kedua tangan selama mengoperasikannya dan pastikan Anda berdiri di posisi aman.** Gunakan perkakas listrik dengan kedua tangan secara hati-hati.



#### PERINGATAN



**Pastikan baterai kancing tidak berada dalam jangkauan anak-anak.** Baterai kancing berbahaya.

- ▶ **Baterai kancing tidak boleh ditelan atau dimasukkan ke dalam rongga bagian tubuh. Jika terdapat indikasi baterai kancing tertelan atau telah masuk ke dalam rongga bagian tubuh, segera hubungi dokter.** Baterai kancing yang tertelan dapat menimbulkan luka bakar bagian dalam yang fatal dalam kurun waktu 2 jam dan dapat menyebabkan kematian.
- ▶ **Pastikan baterai kancing dipasang dengan benar saat mengganti baterai kancing.** Terdapat risiko ledakan.
- ▶ **Hanya gunakan baterai kancing yang tercantum dalam panduan pengoperasian ini.** Dilarang menggunakan baterai kancing atau suplai daya lainnya.

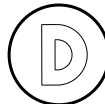
- ▶ **Jangan mencoba mengisi daya baterai kembali dan jangan membuat hubungan arus pendek pada baterai.** Baterai dapat bocor, meledak, terbakar, dan dapat melukai pengguna.
- ▶ **Lepas dan buang baterai kancing yang telah habis dengan cara yang ramah lingkungan.** Baterai kancing yang telah habis dapat bocor dan dapat merusak produk atau melukai pengguna.
- ▶ **Hindarkan baterai kancing dari panas berlebih dan jangan dibakar.** Baterai dapat bocor, meledak, terbakar, dan dapat melukai pengguna.
- ▶ **Jangan merusak baterai kancing dan jangan membongkar komponen baterai.** Baterai dapat bocor, meledak, terbakar, dan dapat melukai pengguna.
- ▶ **Jaga agar baterai kancing yang rusak tidak terkena air.** Kandungan lithium yang bocor keluar dapat menciptakan kandungan hidrogen dengan air dan dapat menimbulkan kebakaran, ledakan atau melukai pengguna.
- ▶ **Waspada! Ketika menggunakan perkakas listrik dengan Bluetooth<sup>®</sup>, gangguan dapat muncul pada perangkat dan instalasi lain, pesawat terbang, dan perangkat medis (misalnya alat pacu jantung, alat bantu dengar. Selain itu, cedera pada manusia dan binatang di area sekitar tidak dapat seluruhnya dihindari. Jangan menggunakan alat pengukur dengan Bluetooth<sup>®</sup> di dekat perangkat medis, pusat pengisian bahan bakar, instalasi kimia, area dengan bahaya ledakan, dan percikan api. Jangan menggunakan perkakas listrik dengan Bluetooth<sup>®</sup> di dalam pesawat terbang. Hindari pengoperasian di dekat kepala secara langsung dalam waktu yang lama.**

Istilah merek *Bluetooth<sup>®</sup>* serta gambar simbol (logo) merupakan merek dagang terdaftar dan kepemilikan dari Bluetooth SIG, Inc. Setiap penggunaan istilah merek/ gambar simbol ini berada di bawah lisensi Robert Bosch Power Tools GmbH.

## Simbol-simbol

Simbol-simbol berikut dapat membantu Anda dalam menggunakan perkakas listrik. Pelajari dan ingat simbol-simbol berikut beserta maknanya. Pengertian yang betul dari simbol-simbol ini bisa membantu Anda untuk menggunakan perkakas listrik dengan lebih baik dan aman.

### Simbol dan artinya



Penyimpanan data diaktifkan pada perkakas listrik ini.



Perkakas listrik yang terkoneksi dengan teknologi *Bluetooth<sup>®</sup>* terintegrasi



## Spesifikasi produk dan performa



**Bacalah semua petunjuk keselamatan dan petunjuk penggunaan.** Kesalahan dalam menjalankan petunjuk keselamatan dan petunjuk penggunaan dapat mengakibatkan kontak listrik, kebakaran, dan/atau luka-luka yang berat.

Perhatikan ilustrasi yang terdapat pada sisi sampul panduan pengoperasian.

### Tujuan penggunaan

Perkakas listrik ini cocok untuk pengeboran benda keras pada beton, batu bata dan batu-batuan serta untuk pekerjaan memahat yang ringan. Perkakas listrik juga cocok untuk mengebor tanpa getaran pada kayu, logam, keramik dan bahan sintesis. Perkakas listrik dengan penyetelan elektronik dan arah putaran ke kanan/kiri juga cocok untuk menyekrup.

Data dan pengaturan perkakas listrik dikirimkan dari modul *Bluetooth*<sup>®</sup> Low Energy terintegrasi menggunakan teknologi nirkabel *Bluetooth*<sup>®</sup> antara perkakas listrik dan perangkat seluler.

### Ilustrasi komponen

Nomor-nomor dari bagian-bagian perkakas pada gambar sesuai dengan gambar perkakas listrik pada halaman bergambar.

- (1) Chuck bor SDS plus
- (2) Dudukan alat kerja SDS plus
- (3) Kap pelindung debu
- (4) Selongsong pengunci
- (5) Tombol untuk pengaturan pembatas kedalaman
- (6) Tombol pelepas kunci untuk switch getaran/penghenti putaran
- (7) Switch getaran/penghenti putaran
- (8) Switch arah putaran
- (9) Tombol on/off
- (10) Gagang (permukaan genggam berisolator)
- (11) Baterai<sup>a)</sup>
- (12) Lampu kerja
- (13) Gagang tambahan (permukaan genggam berisolator)
- (14) Pembatas kedalaman
- (15) User Interface
- (16) Tombol pelepas baterai<sup>a)</sup>
- (17) Indikator status perkakas listrik (User Interface)
- (18) Indikator level pengisian daya baterai (User Interface)
- (19) Display penonaktifan cepat (User Interface)
- (20) Tombol untuk memilih mode pengoperasian (User Interface)

- (21) Display smartphone (User Interface)
  - (22) Indikator mode pengoperasian (User Interface)
  - (23) Display suhu (User Interface)
  - (24) Holder universal dengan batang pemasang SDS plus<sup>a)</sup>
- a) **Aksesori yang ada pada gambar atau yang dijelaskan tidak termasuk dalam lingkup pengiriman standar. Semua aksesori yang ada dapat Anda lihat dalam program aksesori kami.**

### Data teknis

Bor hammer berdaya baterai		GBH 187-LI
Nomor model		<b>3 611 J23 0..</b>
Tegangan nominal	V=	18
Kecepatan nominal		
– Putaran ke kanan	min <sup>-1</sup>	0–980
– Putaran ke kiri	min <sup>-1</sup>	0–980
Tingkat getaran <sup>A)</sup>	min <sup>-1</sup>	0–4350
Daya tiap getaran sesuai dengan EPTA-Procedure 05:2016	J	2,4
Dudukan alat kerja		SDS plus
Ø (diameter) pengeboran maks.		
– Beton <sup>B)</sup>	mm	24
– Baja	mm	13
– Kayu	mm	30
Berat sesuai dengan EPTA-Procedure 01:2014 <sup>C)</sup>	kg	3,4–4,3
Suhu sekitar yang direkomendasikan saat pengisian daya	°C	0 ... +35
Suhu sekitar yang diizinkan saat pengoperasian <sup>D)</sup> dan saat penyimpanan	°C	–20 ... +50
Baterai yang direkomendasikan		GBA 18V... (≥4.0 Ah) ProCORE18V 8.0Ah/12.0Ah
Perangkat pengisi daya yang direkomendasikan		GAL 18... GAX 18... GAL 36...
<b>Pengiriman data</b>		
<i>Bluetooth</i> <sup>®</sup>		<i>Bluetooth</i> <sup>®</sup> 4.2 (Low Energy) <sup>E)</sup>
Jangkauan sinyal maksimal	m	30 <sup>F)</sup>
Jangkauan frekuensi yang digunakan	MHz	2400–2483,5
Daya output	mW	< 1
<b>Suplai daya</b> modul <i>Bluetooth</i> <sup>®</sup> Low Energy		

**Bor hammer berdaya baterai** **GBH 187-LI**Baterai kancing Baterai lithium 3 V,  
CR 2450Masa pakai baterai kancing sekitar Tahun 5

- A) Diukur pada suhu 20–25 °C dengan baterai **ProCORE18V 12.0Ah**.
- B) Kinerja optimal dengan diameter mata bor **6–14 mm**
- C) tergantung pada baterai yang digunakan
- D) daya terbatas pada suhu <0 °C
- E) Perangkat seluler harus kompatibel dengan perangkat *Bluetooth* Low Energy (versi 4.2) dan mendukung Generic Access Profile (GAP).
- F) Jangkauan sinyal dapat sangat berbeda bergantung pada kondisi eksternal termasuk perangkat penerima yang digunakan. Jangkauan *Bluetooth*® dapat melemah jika berada di dalam ruangan tertutup dan melewati penghalang yang mengandung logam (contoh: dinding, rak, koper, dll.).

## Baterai

**Bosch** menjual perkakas listrik berdaya baterai bahkan tanpa baterai yang disertakan. Keterangan apakah lingkup pengiriman perkakas listrik termasuk dengan baterai dapat ditemukan di kemasan.

### Mengisi daya baterai

- ▶ **Hanya gunakan pengisi daya yang tercantum pada data teknis.** Hanya pengisi daya ini yang sesuai dengan baterai li-ion yang digunakan pada perkakas listrik Anda.

**Catatan:** Baterai lithium-ion dikirim dalam keadaan terisi daya sebagian berdasarkan peraturan transportasi internasional. Untuk menjamin daya penuh dari baterai, isi daya baterai hingga penuh sebelum menggunakannya untuk pertama kali.

### Memasang baterai



Masukkan baterai yang telah terisi daya ke dalam dudukan baterai hingga baterai terkunci.

### Melepas baterai

Untuk melepas baterai, tekan tombol pelepas baterai dan keluarkan baterai. **Jangan melepas baterai dengan paksa.** Baterai memiliki 2 level penguncian untuk mencegah baterai terlepas saat tombol pelepas baterai ditekan secara tidak sengaja. Selama baterai terpasang di dalam perkakas listrik, baterai ditahan posisinya menggunakan pegas.

### Indikator level pengisian daya baterai

LED berwarna hijau dari indikator level pengisian daya baterai menampilkan level pengisian daya baterai. Atas dasar keselamatan, permintaan level pengisian daya baterai hanya dapat dilakukan saat perkakas listrik dalam keadaan berhenti.

Tekan tombol indikator level pengisian daya baterai  atau  untuk menampilkan level pengisian baterai. Hal ini juga dapat dilakukan saat baterai dilepas.

Apabila LED tidak menyala setelah menekan tombol indikator level pengisian daya, terdapat kerusakan pada baterai dan baterai harus diganti.

Level pengisian daya baterai juga ditampilkan pada User Interface Display status.

### Tipe baterai GBA 18V...



LED	Kapasitas
Lampu permanen hijau 3 ×	60–100%
Lampu permanen hijau 2 ×	30–60%
Lampu permanen hijau 1 ×	5–30%
Lampu berkedip hijau 1 ×	0–5%

### Tipe baterai ProCORE18V...



LED	Kapasitas
Lampu permanen hijau 5 ×	80–100%
Lampu permanen hijau 4 ×	60–80%
Lampu permanen hijau 3 ×	40–60%
Lampu permanen hijau 2 ×	20–40%
Lampu permanen hijau 1 ×	5–20%
Lampu berkedip hijau 1 ×	0–5%

### Petunjuk untuk penanganan baterai yang optimal

Lindungilah baterai dari kelembapan dan air.

Simpan baterai hanya pada rentang suhu antara –20 °C hingga 50 °C. Janganlah meletakkan baterai di dalam mobil, misalnya pada musim panas.

Bersihkan lubang ventilasi baterai dengan kuas yang lunak, bersih dan kering secara berkala.

Waktu pengoperasian yang berkurang secara signifikan setelah pengisian daya menunjukkan bahwa baterai telah habis dan perlu diganti.

Perhatikan petunjuk untuk membuang.

## Pemasangan

- ▶ **Sebelum melakukan semua pekerjaan pada perkakas listrik (misalnya merawat, mengganti alat kerja, dsb.) serta selama transpor dan penyimpanan, keluarkanlah baterai dari perkakas listrik.** Terdapat risiko cedera apabila tombol untuk menghidupkan dan mematikan dioperasikan tanpa sengaja.

### Gagang tambahan

- ▶ **Hanya gunakan perkakas listrik dengan gagang tambahan (13).**

- **Pastikan gagang tambahan selalu terpasang kuat.** Jika tidak, Anda dapat kehilangan kendali atas perkakas listrik saat bekerja.

#### Memutar gagang tambahan (lihat gambar A)

Gagang tambahan (13) dapat digerakkan ke arah mana pun untuk memungkinkan posisi kerja yang aman dan tidak melelahkan.

- Putar bagian bawah gagang tambahan (13) berlawanan arah jarum jam dan gerakan gagang tambahan (13) ke posisi yang diinginkan. Setelah itu, putar dan kencangkan kembali bagian bawah gagang tambahan (13) searah jarum jam.  
Pastikan tali pengencang gagang tambahan berada dalam alur yang tersedia di housing.

#### Mengganti perkakas

Tutup pelindung debu (3) mencegah masuknya debu pengeboran ke dalam dudukan alat kerja selama pengoperasian. Saat menggunakan perkakas, pastikan tutup pelindung debu (3) tidak rusak.

- **Tutup pelindung debu yang rusak harus segera diganti. Disarankan untuk melakukannya di layanan pelanggan Bosch.**

#### Mengganti perkakas (SDS plus)

##### Memasang alat sisipan SDS plus (lihat gambar B1)

Dengan chuck bor SDS-plus, alat sisipan dapat diganti dengan mudah dan cepat tanpa menggunakan alat bantu.

- Bersihkan ujung alat sisipan dan lumasi dengan sedikit minyak.
- Pasang alat sisipan ke dalam dudukan alat kerja dengan diputar hingga terkunci dengan sendirinya.
- Periksa penguncian dengan menarik alat.

Alat sisipan SDS-plus harus dapat bergerak dengan bebas. Hal ini menimbulkan penyimpangan putaran sewaktu perkakas listrik berjalan pada kecepatan idle. Hal ini tidak memengaruhi ketepatan lubang bor karena mata bor memusatkan dengan sendirinya saat mengebor.

##### Melepaskan alat sisipan SDS plus (lihat gambar B2)

- Dorong selongsong pengunci (4) ke belakang dan lepaskan alat sisipan.

#### Pengisapan debu/serbuk

Debu dari bahan-bahan seperti cat yang mengandung timbel (timah hitam), beberapa jenis kayu, bahan mineral dan logam dapat berbahaya bagi kesehatan. Menyentuh atau menghirup debu-debu ini dapat mengakibatkan reaksi alergi dan/atau penyakit saluran pernapasan pada pengguna atau orang yang berada di dekatnya.

Beberapa debu tertentu seperti debu kayu pohon quercus atau pohon fagus silvatica dianggap dapat mengakibatkan penyakit kanker, terutama dalam campuran dengan bahan-bahan tambahan untuk pengolahan kayu (kromat, obat pengawet kayu). Bahan-bahan yang mengandung asbestos hanya boleh dikerjakan oleh orang-orang yang ahli.

- Perhatikanlah supaya ada pertukaran udara yang baik di tempat kerja.

- Kami anjurkan Anda memakai masker anti debu dengan filter kelas P2.

Taatilah peraturan-peraturan untuk bahan-bahan yang dikerjakan yang berlaku di negara Anda.

- **Hindari debu yang banyak terkumpul di tempat kerja.** Debu dapat tersulut dengan mudah.

## Penggunaan


### Pengoperasian pertama kali


#### Mengatur mode pengoperasian


Pilih mode pengoperasian perkakas listrik menggunakan switch getaran/penghenti putaran (7).

- Untuk mengganti mode pengoperasian, tekan tombol rilis (6) dan putar switch getaran/penghenti putaran (7) ke posisi yang diinginkan hingga switch terdengar mengunci.

**Catatan:** Hanya ubah mode pengoperasian saat perkakas listrik dimatikan! Jika tidak, perkakas listrik dapat rusak.

 Posisi untuk **Pengeboran benda keras** pada beton atau batu

 Posisi untuk **Pengeboran** tanpa getaran pada kayu, logam, keramik dan bahan sintetis serta untuk **Penyekrapan**

 Posisi **Vario-Lock** untuk penyesuaian posisi pahat  
Switch getaran/penghenti putaran (7) tidak mengunci pada posisi ini.

 Posisi untuk **Pemahatan**

#### Mengatur arah putaran (lihat gambar C)

Arah putaran perkakas listrik dapat diubah menggunakan switch arah putaran (8). Namun, hal ini tidak dapat dilakukan jika tombol on/off (9) ditekan.

- **Tekan switch arah putaran (8) hanya saat perkakas listrik sedang tidak beroperasi.**

Selalu atur arah putaran ke kanan untuk mengebor benda keras, mengebor biasa dan memahat.

- **Putaran ke kanan:** Untuk mengebor dan menyekrup, tekan switch arah putaran (8) ke kiri hingga maksimal.
- **Putaran ke kiri:** Untuk mengendurkan atau melepas sekrup dan mur, tekan switch arah putaran (8) ke kanan hingga maksimal.

#### Menyalakan/mematikan

- Untuk **menyalakan** perkakas listrik, tekan tombol on/off (9).

Lampu kerja (12) akan menyala saat tombol on/off (9) ditekan singkat atau ditekan kuat dan lampu kerja membantu menerangi area kerja saat kondisi cahaya minim.

- Untuk **mematikan** perkakas listrik, lepaskan tombol on/off **(9)**.

Pada suhu yang rendah perkakas listrik ini baru setelah lewat beberapa waktu mencapai daya kemampuan hamering/getaran penuh.

#### Mengatur kecepatan putaran/tingkat getaran

Kecepatan putaran/tingkat getaran dari perkakas listrik yang dihidupkan dapat diatur terus-menerus bergantung seberapa kuat tombol on/off **(9)** ditekan.

Jika tombol on/off **(9)** ditekan singkat, kecepatan putaran/tingkat getaran akan menjadi rendah. Jika tombol ditekan kuat, kecepatan putaran/tingkat getaran akan bertambah. Kecepatan putaran juga dapat diatur pada User Interface atau aplikasi smartphone.

#### Display status

Indikator level pengisian daya baterai (User Interface) (18)	Arti/penyebab	Solusi
hijau (2 hingga 5 bar)	Baterai telah terisi daya	–
kuning (1 bar)	Baterai hampir kosong	Segera ganti atau isi daya baterai
merah (1 bar)	Baterai kosong	Ganti atau isi daya baterai

Display suhu (23)	Arti/penyebab	Solusi
Kuning	Suhu pengoperasian baterai atau perkakas listrik meningkat secara signifikan, kinerja berkurang	Biarkan perkakas listrik menjadi dingin atau ganti baterai yang terlalu panas
Merah	Suhu pengoperasian baterai atau perkakas listrik terlampaui, perkakas listrik dimatikan untuk perlindungan	Biarkan perkakas listrik menjadi dingin atau ganti baterai yang terlalu panas

Display status perkakas listrik (17)	Arti/penyebab	Solusi
Hijau	Status OK	–
Kuning	Suhu kritis tercapai atau baterai hampir kosong	Biarkan perkakas listrik menjadi dingin atau ganti atau isi daya baterai
Merah	Perkakas listrik terlalu panas atau baterai kosong	Biarkan perkakas listrik menjadi dingin atau ganti atau isi daya baterai
Merah	Switch getaran/penghenti putaran diaktifkan selama pengoperasian	Matikan dan hidupkan kembali perkakas listrik
	Mesin terhenti, baterai terlalu lemah	Isi daya baterai atau gunakan jenis baterai yang direkomendasikan
	Gangguan umum	<ul style="list-style-type: none"> <li>– Matikan atau hidupkan kembali perkakas listrik atau lepas baterai lalu pasang kembali</li> </ul> <p>Jika gangguan berlanjut:</p> <ul style="list-style-type: none"> <li>– Bawalah perkakas listrik ke layanan pelanggan</li> </ul>
Berkedip merah	Penonaktifan cepat telah terpicu	Matikan dan hidupkan kembali perkakas listrik
– Bersama dengan display penonaktifan cepat <b>(19)</b>		

#### Mengubah posisi pahat (Vario Lock)

Pahat dapat dikunci pada posisi. Dengan demikian, posisi kerja yang optimal dapat diperoleh.

- Masukkan pahat ke dalam dudukan alat kerja.
- Putar switch getaran/penghenti putaran **(7)** ke posisi "Vario-Lock".
- Putar alat sisipan ke posisi pahat yang diinginkan.
- Putar switch getaran/penghenti putaran **(7)** ke posisi "Pemahatan". Dudukan alat kerja kemudian akan terkunci.
- Untuk memahat, atur arah putaran ke kanan.

#### User Interface (lihat gambar D)

User Interface **(15)** digunakan untuk memilih mode pengoperasian serta untuk display status perkakas listrik.

Display status perkakas listrik (17)	Arti/penyebab	Solusi
Berkedip biru	Perkakas listrik terhubung ke perangkat seluler melalui <i>Bluetooth</i> <sup>®</sup> atau pengaturan akan dikirimkan	-

Display status smartphone (21)	Arti/penyebab	Solusi
Putih	Informasi penting tersedia (misalnya peringatan suhu)	Baca pesan pada smartphone

### Memilih mode pengoperasian

Tekan tombol (20) beberapa kali untuk memilih mode pengoperasian hingga mode pengoperasian yang diinginkan menyala.

**Catatan:** Pada mode pengoperasian **Favorite**, fungsi dikonfigurasi melalui aplikasi smartphone, pada mode pengoperasian **Auto**, fungsi telah diatur sebelumnya.

Display mode pengoperasian (22)	Fungsi
<b>Auto</b> menyala	Pada mode pengoperasian <b>Auto</b> , perkakas listrik mencapai kinerja maksimal. <ul style="list-style-type: none"> <li>- 100% kecepatan putaran maksimal</li> <li>- Penonaktifan cepat (Kickback Control)</li> </ul>
<b>Favorite</b> menyala	Pada mode pengoperasian <b>Favorite</b> , perkakas listrik dapat dikonfigurasi secara individu melalui aplikasi smartphone. <ul style="list-style-type: none"> <li>- Kecepatan putaran dapat dikonfigurasi dalam beberapa tahap untuk penggunaan yang berbeda: Kecepatan rendah/średang/tinggi (100% kecepatan putaran maksimal)</li> </ul>

### Petunjuk pengoperasian

- ▶ **Perkakas listrik dengan modul *Bluetooth*<sup>®</sup> Low Energy yang terpasang dilengkapi dengan antarmuka nirkabel. Perhatikan batasan pengoperasian lokal, misalnya dalam pesawat terbang atau di rumah sakit.**
- ▶ **Di area di mana teknologi nirkabel *Bluetooth*<sup>®</sup> tidak boleh digunakan, modul *Bluetooth*<sup>®</sup> Low Energy harus dinonaktifkan melalui aplikasi.**

### Mengatur kedalaman pengeboran (lihat gambar E)

Dengan pembatas kedalaman (14), kedalaman lubang X yang diinginkan dapat ditetapkan.

- Tekan tombol untuk mengatur pembatas kedalaman (5) dan pasang pembatas kedalaman ke gagang tambahan (13). Permukaan yang menonjol pada pembatas kedalaman (14) harus menghadap ke bawah.
- Dorong alat sisipan SDS plus ke dalam dudukan alat kerja SDS plus (2) hingga maksimal. Alat kerja SDS plus yang goyah dapat menyebabkan kesalahan dalam penyetelan kedalaman bor.
- Tarik pembatas kedalaman hingga jarak antara ujung mata bor dan ujung pembatas kedalaman sesuai dengan kedalaman pengeboran X yang diinginkan.

### Kopling beban berlebih

- ▶ **Jika alat sisipan terjepit atau tersangkut, maka daya penggerak ke spindel bor akan terhenti. Akibat daya**

**yang timbul, tahan selalu perkakas listrik dengan kuat menggunakan kedua tangan dan ambil pijakan yang kuat.**

- ▶ **Jika perkakas listrik macet, matikan perkakas listrik dan lepaskan alat sisipan. Jika perkakas listrik dihidupkan dengan kondisi mesin bor masih macet, hal ini dapat menyebabkan terjadinya torsi reaksi yang besar.**

### Penonaktifan cepat (Kickback Control)



Penonaktifan cepat (Kickback Control) menyediakan kendali yang lebih baik pada perkakas listrik dan meningkatkan perlindungan terhadap pengguna dibandingkan perkakas listrik yang tidak dilengkapi Kickback Control. Jika perkakas listrik berputar pada poros bor secara mendadak dan tak terduga, perkakas listrik akan mati, display penonaktifan cepat (19) akan menyala dan lampu kerja (12) akan berkedip. Jika penonaktifan cepat diaktifkan, display status (17) akan berkedip merah.

- Untuk **mengoperasikan kembali perkakas listrik**, lepaskan tombol on/off (9) lalu tekan kembali.

### Memasang mata obeng (lihat gambar F)

- ▶ **Pasang perkakas listrik pada mur/sekrup hanya saat dalam keadaan mati.** Alat sisipan yang berputar dapat tergelincir.

Untuk menggunakan mata obeng diperlukan holder universal (24) dengan batang pemasang SDS plus (aksesori).

- Bersihkan ujung batang pemasang dan lumasi dengan sedikit minyak.
- Pasang holder universal dengan cara diputar ke dalam dudukan alat kerja hingga terkunci dengan sendirinya.
- Periksa penguncian dengan menarik holder universal.
- Pasang mata obeng ke dalam holder universal. Hanya gunakan mata obeng yang sesuai dengan kepala sekrup.
- Untuk melepaskan holder universal, dorong selongsong pengunci (4) ke belakang dan lepaskan holder universal (24) dari dudukan alat kerja.

## Fungsi konektivitas

### Persyaratan sistem untuk menggunakan aplikasi

#### Persyaratan sistem

Perangkat seluler (tablet, smartphone)	Android 5.1 (dan lebih tinggi) iOS 10 (dan lebih tinggi)
--	---

### Instalasi dan Pengaturan Aplikasi

Instal terlebih dulu aplikasi khusus – sesuai perangkat seluler – agar fungsi konektivitas dapat digunakan.

- Unduh aplikasi melalui App Store (Apple App Store, Google Play Store) yang sesuai.

**Catatan:** App Store terkait memerlukan akun pengguna.

Nama aplikasi	iOS	Android
Bosch Toolbox		

#### Nama aplikasi

Bosch  
BeConnected



- Selanjutnya pilih subitem **MyTools** atau **Connectivity** pada aplikasi.
- Display pada perangkat seluler Anda akan menampilkan seluruh langkah selanjutnya untuk menghubungkan perkakas listrik dengan perangkat seluler.

### Pengiriman data melalui Bluetooth®

Sinyal akan dikirimkan secara berkala oleh modul Bluetooth® Low Energy yang terintegrasi. Sinyal mungkin perlu

dikirimkan beberapa kali menyesuaikan lingkungannya sebelum perkakas listrik terdeteksi. Jika perkakas listrik tidak terdeteksi, periksa hal berikut:

- Apakah jarak dengan perangkat seluler terlalu jauh? Dekatkan jarak antara perangkat seluler dan perkakas listrik.
- Apakah baterai kancing pada modul Bluetooth® Low Energy terintegrasi terlalu lemah atau habis? Hubungi pusat layanan pelanggan resmi untuk perkakas listrik Bosch untuk mengganti baterai kancing.
- Nonaktifkan dan aktifkan kembali Bluetooth® pada perangkat seluler. Periksa apakah perkakas listrik kini terdeteksi.

### Fungsi yang berkaitan dengan perkakas listrik

Berkaitan dengan modul Bluetooth® Low Energy, fungsi konektivitas berikut tersedia untuk perkakas listrik:

- Pendaftaran dan personalisasi
- Cek status, tampilan pesan peringatan
- Informasi umum dan pengaturan
- Perawatan
- Penyesuaian pengaturan transmisi Bluetooth® untuk mode pengoperasian **Favorite**

## Perawatan dan servis

### Perawatan dan pembersihan

- ▶ **Sebelum melakukan semua pekerjaan pada perkakas listrik (misalnya merawat, mengganti alat kerja, dsb.) serta selama transpor dan penyimpanan, keluarkanlah baterai dari perkakas listrik.** Terdapat risiko cedera apabila tombol untuk menghidupkan dan mematikan dioperasikan tanpa sengaja.
- ▶ **Perkakas listrik dan lubang ventilasi harus selalu dibersihkan agar perkakas dapat digunakan dengan baik dan aman.**
- ▶ **Tutup pelindung debu yang rusak harus segera diganti. Direkomendasikan untuk melakukannya di layanan pelanggan Bosch.**
- Bersihkan dudukan alat kerja (2) setiap kali selesai digunakan.

### Mengganti baterai kancing yang terintegrasi

Modul Bluetooth® Low Energy berisi baterai kancing. Jika baterai kancing lemah atau habis, akan muncul pemberitahuan melalui **Bosch Toolbox**. Penggantian baterai kancing harus dilakukan oleh Bosch atau pusat layanan pelanggan resmi perkakas listrik Bosch.

- ▶ **Perhatian: Selalu ganti baterai kancing dengan baterai kancing dengan jenis yang sama.** Terdapat risiko ledakan.
- ▶ **Lepas dan buang baterai kancing yang telah habis dengan cara yang ramah lingkungan.** Baterai kancing yang telah habis dapat bocor dan dapat merusak produk atau melukai pengguna.

## Layanan pelanggan dan konsultasi penggunaan

Layanan pelanggan Bosch menjawab semua pertanyaan Anda tentang reparasi dan perawatan serta tentang suku cadang produk ini. Gambaran teknis (exploded view) dan informasi mengenai suku cadang dapat ditemukan di:

[www.bosch-pt.com](http://www.bosch-pt.com)

Tim konsultasi penggunaan Bosch akan membantu Anda menjawab pertanyaan seputar produk kami beserta aksesorinya.

Jika Anda hendak menanyakan sesuatu atau memesan suku cadang, selalu sebutkan nomor model yang terdiri dari 10 angka dan tercantum pada label tipe produk.

### Indonesia

PT Robert Bosch  
Palma Tower 10th Floor  
Jalan RA Kartini II-S Kaveling 6  
Pondok Pinang, Kebayoran Lama  
Jakarta Selatan 12310  
Tel.: (021) 3005 5800  
Fax: (021) 3005 5801  
E-Mail: [boschpowertools@id.bosch.com](mailto:boschpowertools@id.bosch.com)  
[www.bosch-pt.co.id](http://www.bosch-pt.co.id)

### Alamat layanan lainnya dapat ditemukan di:

[www.bosch-pt.com/serviceaddresses](http://www.bosch-pt.com/serviceaddresses)

## Transpor

Baterai li-ion yang direkomendasikan tunduk pada persyaratan terkait peraturan tentang bahan-bahan yang berbahaya. Baterai dapat diangkut di jalan oleh penggunanya tanpa pembatasan lebih lanjut.

Pada pengiriman oleh pihak ketiga (misalnya transportasi udara atau perusahaan ekspedisi) harus ditaati syarat-syarat terkait kemasan dan pemberian tanda. Dalam hal ini, diperlukan konsultasi dengan ahli bahan-bahan berbahaya saat mengatur barang pengiriman.

Kirimkan baterai hanya jika housing-nya tidak rusak. Tutup bagian-bagian yang terbuka dan kemas baterai agar tidak bergerak-gerak di dalam kemasan. Taatilah peraturan-peraturan nasional lainnya yang mungkin lebih rinci yang berlaku di negara Anda.

## Cara membuang



Perkakas listrik, baterai, aksesoris dan kemasan harus didaur ulang dengan cara yang ramah lingkungan.



Jangan membuang perkakas listrik, aki/baterai ke dalam sampah rumah tangga!

### Baterai:

#### Li-ion:

Perhatikanlah petunjuk-petunjuk dalam bab Transpor (lihat „Transpor“, Halaman 71).

# Tiếng Việt

## Hướng dẫn an toàn

### Hướng dẫn an toàn chung cho dụng cụ điện

**⚠ CẢNH BÁO** Hãy đọc toàn bộ các cảnh báo an toàn, hướng dẫn, hình ảnh và thông số kỹ thuật được cung cấp cho dụng cụ điện cầm tay này. Không tuân thủ mọi hướng dẫn được liệt kê dưới đây có thể bị điện giật, gây cháy và /hay bị thương tật nghiêm trọng. **Hãy giữ tất cả tài liệu về cảnh báo và hướng dẫn để tham khảo về sau.**

Thuật ngữ "dụng cụ điện cầm tay" trong phần cảnh báo là đề cập đến sự sử dụng dụng cụ điện cầm tay của bạn, loại sử dụng điện nguồn (có dây cắm điện) hay vận hành bằng pin (không dây cắm điện).

### Khu vực làm việc an toàn

- ▶ **Giữ nơi làm việc sạch và đủ ánh sáng.** Nơi làm việc bừa bộn và tối tăm dễ gây ra tai nạn.
- ▶ **Không vận hành dụng cụ điện cầm tay trong môi trường dễ gây nổ, chẳng hạn như nơi có chất lỏng dễ cháy, khí đốt hay rác.** Dụng cụ điện cầm tay tạo ra các tia lửa nên có thể làm rác bén cháy hay bốc khói.
- ▶ **Không để trẻ em hay người đến xem đứng gần khi vận hành dụng cụ điện cầm tay.** Sự phân tâm có thể gây ra sự mất điều khiển.

### An toàn về điện

- ▶ **Phích cắm của dụng cụ điện cầm tay phải thích hợp với ổ cắm.** Không bao giờ được cài biến lại phích cắm dưới mọi hình thức. Không được sử dụng phích tiếp hợp nối tiếp đất (dây mát). Phích cắm nguyên bản và ổ cắm đúng loại sẽ làm giảm nguy cơ bị điện giật.
- ▶ **Tránh không để thân thể tiếp xúc với đất hay các vật có bề mặt tiếp đất như đường ống, lò sưởi, hàng rào và tủ lạnh.** Có nhiều nguy cơ bị điện giật hơn nếu cơ thể bạn bị tiếp hay nối đất.
- ▶ **Không được để dụng cụ điện cầm tay ngoài mưa hay ở tình trạng ẩm ướt.** Nước vào máy sẽ làm tăng nguy cơ bị điện giật.
- ▶ **Không được lạm dụng dụng dây dẫn điện.** Không bao giờ được nắm dây dẫn để xách, kéo hay rút phích cắm dụng cụ điện cầm tay. Không để dây gần nơi có nhiệt độ cao, dầu nhớt, vật nhọn bén và bộ phận chuyển động. Làm hỏng hay cuộn rối dây dẫn làm tăng nguy cơ bị điện giật.
- ▶ **Khi sử dụng dụng cụ điện cầm tay ngoài trời, dùng dây nối thích hợp cho việc sử dụng ngoài trời.** Sử dụng dây nối thích hợp cho việc sử dụng ngoài trời làm giảm nguy cơ bị điện giật.

- ▶ **Nếu việc sử dụng dụng cụ điện cầm tay ở nơi ẩm ướt là không thể tránh được, dùng thiết bị ngắt mạch tự động (RCD) bảo vệ nguồn.** Sử dụng thiết bị ngắt mạch tự động RCD làm giảm nguy cơ bị điện giật.

#### An toàn cá nhân

- ▶ **Hãy tỉnh táo, biết rõ mình đang làm gì và hãy sử dụng ý thức khi vận hành dụng cụ điện cầm tay.** Không sử dụng dụng cụ điện cầm tay khi đang mệt mỏi hay đang bị tác động do chất gây nghiện, rượu hay dược phẩm gây ra. Một thoáng mất tập trung khi đang vận hành dụng cụ điện cầm tay có thể gây thương tích nghiêm trọng cho bản thân.
- ▶ **Sử dụng trang bị bảo hộ cá nhân.** Luôn luôn đeo kính bảo vệ mắt. Trang bị bảo hộ như khẩu trang, giày chống trượt, nón bảo hộ, hay dụng cụ bảo vệ tai khi được sử dụng đúng nơi đúng chỗ sẽ làm giảm nguy cơ thương tật cho bản thân.
- ▶ **Phòng tránh máy khởi động bất ngờ.** Bảo đảm công tắc máy ở vị trí tắt trước khi cắm vào nguồn điện và/hay lắp pin vào, khi nhắc máy lên hay khi mang xách máy. Ngáng ngón tay vào công tắc máy để xách hay kích hoạt dụng cụ điện cầm tay khi công tắc ở vị trí mở dễ dẫn đến tai nạn.
- ▶ **Lấy mọi chìa hay khóa điều chỉnh ra trước khi mở điện dụng cụ điện cầm tay.** Khóa hay chìa còn gắn dính vào bộ phận quay của dụng cụ điện cầm tay có thể gây thương tích cho bản thân.
- ▶ **Không rướn người.** Luôn luôn giữ tư thế đứng thích hợp và thẳng bằng. Điều này tạo cho việc điều khiển dụng cụ điện cầm tay tốt hơn trong mọi tình huống bất ngờ.
- ▶ **Trang phục thích hợp.** Không mặc quần áo rộng lủng thùng hay mang trang sức. Giữ tóc và quần áo xa khỏi các bộ phận chuyển động. Quần áo rộng lủng thùng, đồ trang sức hay tóc dài có thể bị cuốn vào các bộ phận chuyển động.
- ▶ **Nếu có các thiết bị đi kèm để nối máy hút bụi và các phụ kiện khác, bảo đảm các thiết bị này được nối và sử dụng tốt.** Việc sử dụng các thiết bị gom hút bụi có thể làm giảm các độc hại liên quan đến bụi gây ra.
- ▶ **Không để thói quen do sử dụng thường xuyên dụng cụ khiến bạn trở nên chủ quan và bỏ qua các quy định an toàn dụng cụ.** Một hành vi bất cẩn có thể gây ra thương tích nghiêm trọng chỉ trong tích tắc.

#### Sử dụng và bảo dưỡng dụng cụ điện cầm tay

- ▶ **Không được ép máy.** Sử dụng dụng cụ điện cầm tay đúng loại theo đúng ứng dụng của bạn. Dụng cụ điện cầm tay đúng chức năng sẽ

làm việc tốt và an toàn hơn theo đúng tiến độ mà máy được thiết kế.

- ▶ **Không sử dụng dụng cụ điện cầm tay nếu như công tắc không tắt và mở được.** Bất kỳ dụng cụ điện cầm tay nào mà không thể điều khiển được bằng công tắc là nguy hiểm và phải được sửa chữa.
  - ▶ **Rút phích cắm ra khỏi nguồn điện và/hay pin ra khỏi dụng cụ điện cầm tay nếu có thể tháo được, trước khi tiến hành bất kỳ điều chỉnh nào, thay phụ kiện, hay cất dụng cụ điện cầm tay.** Các biện pháp ngăn ngừa như vậy làm giảm nguy cơ dụng cụ điện cầm tay khởi động bất ngờ.
  - ▶ **Cất giữ dụng cụ điện cầm tay không dùng tới nơi trẻ em không lấy được và không cho người chưa từng biết dụng cụ điện cầm tay hay các hướng dẫn này sử dụng dụng cụ điện cầm tay.** Dụng cụ điện cầm tay nguy hiểm khi ở trong tay người chưa được chỉ cách sử dụng.
  - ▶ **Bảo quản dụng cụ điện cầm tay và các phụ kiện.** Kiểm tra xem các bộ phận chuyển động có bị sai lệch hay kẹt, các bộ phận bị rạn nứt và các tình trạng khác có thể ảnh hưởng đến sự vận hành của máy. Nếu bị hư hỏng, phải sửa chữa máy trước khi sử dụng. Nhiều tai nạn xảy ra do bảo quản dụng cụ điện cầm tay tồi.
  - ▶ **Giữ các dụng cụ cắt bén và sạch.** Bảo quản đúng cách các dụng cụ cắt có cạnh cắt bén làm giảm khả năng bị kẹt và dễ điều khiển hơn.
  - ▶ **Sử dụng dụng cụ điện cầm tay, phụ kiện, đầu cài v. v., đúng theo các chỉ dẫn này, hãy lưu ý đến điều kiện làm việc và công việc phải thực hiện.** Sự sử dụng dụng cụ điện cầm tay khác với mục đích thiết kế có thể tạo nên tình huống nguy hiểm.
  - ▶ **Giữ tay cầm và bề mặt nắm luôn khô ráo, sạch sẽ và không dính dầu mỡ.** Tay cầm và bề mặt nắm trơn trượt không đem lại thao tác an toàn và kiểm soát dụng cụ trong các tình huống bất ngờ.
- #### Sử dụng và bảo quản dụng cụ dùng pin
- ▶ **Chỉ được sạc pin lại với bộ nạp điện do nhà sản xuất chỉ định.** Bộ nạp điện thích hợp cho một loại pin có thể gây nguy cơ cháy khi sử dụng cho một loại pin khác.
  - ▶ **Chỉ sử dụng dụng cụ điện cầm tay với loại pin được thiết kế đặc biệt dành riêng cho máy.** Sử dụng bất cứ loại pin khác có thể dẫn đến thương tật hay cháy.
  - ▶ **Khi không sử dụng pin, để cách xa các vật bằng kim loại như kẹp giấy, tiền xu, chìa khóa, đinh, ốc vít hay các đồ vật kim loại nhỏ khác, thứ có thể tạo sự nối tiếp từ một đầu**



**cực với một đầu cực khác.** Sự chập mạch của các đầu cực với nhau có thể gây bỏng hay cháy.

- ▶ **Bảo quản ở tình trạng tối, dung dịch từ pin có thể tửa ra; tránh tiếp xúc.** Nếu vô tình chạm phải, hãy xối nước để rửa. Nếu dung dịch vào mắt, cần thêm sự hỗ trợ của y tế. Dung dịch tiết ra từ pin có thể gây ngứa hay bỏng.
- ▶ **Không được sử dụng bộ pin hoặc dụng cụ đã bị hư hại hoặc bị thay đổi.** Pin hỏng hoặc bị thay đổi có thể gây ra những tác động không lường trước được như cháy nổ hoặc nguy cơ thương tích.
- ▶ **Không đặt bộ pin hoặc dụng cụ ở gần lửa hoặc nơi quá nhiệt.** Tiếp xúc với lửa hoặc nhiệt độ cao trên 130°C có thể gây nổ.
- ▶ **Tuân thủ tất cả các hướng dẫn nạp và không nạp bộ pin hay dụng cụ ở bên ngoài phạm vi nhiệt độ đã được quy định trong các hướng dẫn.** Nạp không đúng cách hoặc ở nhiệt độ ngoài phạm vi nạp đã quy định có thể làm hư hại pin và gia tăng nguy cơ cháy.

#### Bảo dưỡng

- ▶ **Đưa dụng cụ điện cầm tay của bạn đến thợ chuyên môn để bảo dưỡng, chỉ sử dụng phụ tùng đúng chủng loại để thay.** Điều này sẽ đảm bảo sự an toàn của máy được giữ nguyên.
- ▶ **Không bao giờ sửa chữa các bộ pin đã hư hại.** Chỉ cho phép nhà sản xuất hoặc các nhà cung cấp dịch vụ có ủy quyền thực hiện dịch vụ sửa chữa cho các bộ pin.

#### Hướng dẫn an toàn về búa

##### Hướng dẫn an toàn cho mọi hoạt động

- ▶ **Đeo bảo vệ tai.** Tiếp xúc với tiếng ồn có thể làm mất khả năng nghe.
- ▶ **Sử dụng (các) tay cầm phụ, nếu được cung cấp kèm theo dụng cụ.** Mắt điều khiển có thể gây ra thương tích cho người.
- ▶ **Chỉ cầm dụng cụ điện tại các bề mặt cầm nắm có cách điện, khi thực hiện một thao tác tại vị trí mà phụ kiện cắt hoặc dụng cụ kẹp có thể tiếp xúc với dây điện ngầm.** Phụ kiện cắt hoặc dụng cụ kẹp tiếp xúc với dây có điện có thể làm cho các phần kim loại hở của dụng cụ điện cầm tay có điện và có thể gây ra điện giật cho người vận hành.

##### Hướng dẫn an toàn khi sử dụng các mũi khoan dài với máy khoan búa kiểu xoay

- ▶ **Luôn khởi động khoan ở tốc độ thấp và với đầu mũi khoan tiếp xúc với phôi gia công.** Ở tốc độ cao hơn, mũi khoan có thể bị cong nếu cho phép xoay tự do mà không cho tiếp xúc với phôi gia công, dẫn đến thương tích cho người.
- ▶ **Chỉ dùng áp lực vào đường trực tiếp bằng mũi khoan và không dùng áp lực dư.** Mũi

khoan có thể cong, dẫn đến bị gãy hoặc mất kiểm soát, gây thương tích cho người.

#### Các cảnh báo phụ thêm

- ▶ **Dùng thiết bị dò tìm thích hợp để xác định nếu có các công trình công cộng lắp đặt ngầm trong khu vực làm việc hay liên hệ với Cty công trình công cộng địa phương để nhờ hỗ trợ.** Dụng cụ chạm đường dẫn điện có thể gây ra hỏa hoạn và điện giật. Làm hư hại đường dẫn khí ga có thể gây nổ. Làm thủng ống dẫn nước có thể làm hư hại tài sản hay có thể gây ra điện giật.
- ▶ **Luôn luôn đợi cho máy hoàn toàn ngừng hẳn trước khi đặt xuống.** Dụng cụ lắp vào máy có thể bị kẹp chặt dẫn đến việc dụng cụ điện cầm tay bị mất điều khiển.
- ▶ **Kẹp chặt vật gia công.** Vật gia công được kẹp bằng một thiết bị kẹp hay bằng ê-tô thì vững chắc hơn giữ bằng tay.
- ▶ **Trong trường hợp pin bị hỏng hay sử dụng sai cách, hơi nước có thể bốc ra. Pin có thể cháy hoặc nổ.** Hãy làm cho thông thoáng khí và trong trường hợp bị đau phải nhờ y tế chữa trị. Hơi nước có thể gây ngứa hệ hô hấp.
- ▶ **Không được tháo pin ra.** Nguy cơ bị chập mạch.
- ▶ **Pin có thể bị hư hại bởi các vật dụng nhọn như đinh hay tuốc-nơ-vít hoặc bởi các tác động lực từ bên ngoài.** Nó có thể dẫn tới đoạn mạch nội bộ và làm pin bị cháy, bốc khói, phát nổ hoặc quá nóng.
- ▶ **Chỉ sử dụng pin trong các sản phẩm của nhà sản xuất.** Chỉ bằng cách này, pin sẽ được bảo vệ tránh nguy cơ quá tải.



**Bảo vệ pin không để bị làm nóng, ví dụ, chống để lâu dài dưới ánh nắng gay gắt, lửa, chất bẩn, nước, và sự ẩm ướt.** Có nguy cơ nổ và chập mạch.

- ▶ **Không chạm vào bất kỳ dụng cụ hoặc bộ phận vô gấn kể nào ngay sau khi vận hành.** Chúng có thể rất nóng trong quá trình vận hành và gây bỏng.
- ▶ **Dụng cụ gài có thể chặn khi khoan. Giữ dụng cụ điện thật chắc bằng cả hai tay và giữ tư thế đứng cho thích hợp và cân bằng.** Bạn có thể mất kiểm soát thông qua dụng cụ điện.
- ▶ **Cẩn thận với công việc phá dỡ bằng máy đục.** Các mảnh vỡ của vật liệu phá dỡ rơi xuống có thể gây thương tích cho người xung quanh hoặc chính bạn.
- ▶ **Giữ máy thật chắc bằng cả hai tay trong khi làm việc và luôn luôn giữ tư thế đứng cho thích hợp và cân bằng.** Dùng hai tay để điều khiển máy thì an toàn hơn.

**CẢNH BÁO**

**Đảm bảo rằng pin nút áo không ở trong tay trẻ em.**  
Pin nút áo rất nguy hiểm.

- ▶ **Không bao giờ được nuốt pin nút áo hoặc nhét vào các chỗ hở trên cơ thể. Nếu nghi ngờ đã nuốt phải pin nút áo hoặc bị lọt vào một lỗ trên cơ thể, hãy đến bác sỹ ngay lập tức.** Việc nuốt pin nút áo có thể dẫn đến bỏng nặng bên trong và dẫn đến tử vong trong vòng 2 giờ.
- ▶ **Khi thay pin nút áo hãy chú ý thay pin đúng cách.** Sự nguy hiểm của nổ.
- ▶ **Chỉ sử dụng pin cúc áo được nêu trong hướng dẫn vận hành này.** Không sử dụng pin cúc áo khác hoặc một nguồn năng lượng khác.
- ▶ **Không cố sạc lại các pin nút áo và không làm chập mạch pin nút áo.** Pin nút áo có thể rò rỉ, phát nổ, cháy và gây thương tích cho người.
- ▶ **Tháo và xử lý các pin nút áo đã tháo xả đúng cách.** Các pin nút áo đã tháo xả có thể rò rỉ và do đó gây hư hỏng sản phẩm hoặc gây thương tích cho người.
- ▶ **Không làm quá nhiệt pin nút áo và không ném vào lửa.** Pin nút áo có thể rò rỉ, phát nổ, cháy và gây thương tích cho người.
- ▶ **Không phá hủy pin nút áo và không tháo dỡ pin nút áo.** Pin nút áo có thể rò rỉ, phát nổ, cháy và gây thương tích cho người.
- ▶ **Không để pin nút áo đã hỏng tiếp xúc với nước.** Lithium rò rỉ có thể tạo ra hydro cùng với nước và do đó dẫn đến cháy, nổ hoặc gây thương tích cho người.
- ▶ **Cẩn thận! Nếu sử dụng dụng cụ điện với cổng Bluetooth® có thể gây nhiễu các dụng cụ, thiết bị khác cũng như máy bay và dụng cụ y tế (ví dụ: máy tạo nhịp tim, máy trợ thính). Và cũng không thể loại trừ hoàn toàn những tổn hại cho người và động vật ở môi trường trực diện xung quanh. Không sử dụng dụng cụ điện có kết nối Bluetooth® ở gần những thiết bị y tế, trạm xăng, cơ sở hóa học, các khu vực có nguy cơ gây nổ và các khu vực cháy nổ. Không sử dụng dụng cụ điện có kết nối Bluetooth® trên máy bay. Tránh để máy hoạt động gần cơ thể trong thời gian dài.**

Biểu tượng chữ Bluetooth® cũng như biểu tượng ảnh (các logo) do công ty cổ phần Bluetooth SIG đăng ký nhãn hiệu và sở hữu. Công ty trách nhiệm hữu hạn Robert Bosch Power Tools GmbH đã được cấp phép để sử dụng những biểu tượng chữ/biểu tượng ảnh này với sản phẩm của mình.

**Các Biểu Tượng**

Các biểu tượng sau đây có khả năng diễn đạt ý nghĩa về cách sử dụng dụng cụ điện cầm tay của bạn. Xin vui lòng ghi nhận các biểu tượng và ý nghĩa của chúng. Sự hiểu đúng các biểu tượng sẽ giúp bạn sử dụng máy một cách tốt và an toàn hơn.

**Biểu tượng và các ý nghĩa của chúng**

Ghi dữ liệu được kích hoạt trong dụng cụ gài này.



Dụng cụ điện được kết nối với công nghệ Bluetooth® tích hợp

**Mô Tả Sản Phẩm và Đặc Tính Kỹ Thuật**

**Đọc kỹ mọi cảnh báo an toàn và mọi hướng dẫn.** Không tuân thủ mọi cảnh báo và hướng dẫn được liệt kê dưới đây có thể bị điện giật, gây cháy và / hay bị thương tật nghiêm trọng.

Xin lưu ý các hình minh hoạt trong phần trước của hướng dẫn vận hành.

**Sử dụng đúng cách**

Máy được thiết kế để khoan có động tác búa vào bê-tông, gạch và công trình nề, cũng như dành cho công việc đục không nề. Cũng tương tự phù hợp để khoan mà không cần va đập vào gỗ, kim loại, sứ và chất dẻo. Máy có bộ phận điều khiển điện tử và quay được chiều phải/trái cũng thích hợp cho việc bắt vít.

Dữ liệu và các cài đặt của dụng cụ điện có thể được truyền đi giữa dụng cụ điện và một thiết bị đầu cuối di động từ Bluetooth® Low Energy Module bằng công nghệ vô tuyến Bluetooth®.

**Các bộ phận được minh họa**

Sự đánh số các biểu tượng của sản phẩm là để tham khảo hình minh họa của máy trên trang hình ảnh.

- (1) Đầu cặp mũi khoan SDS plus
- (2) Phần lắp dụng cụ SDS plus
- (3) Chụp ngăn bụi
- (4) Vòng khóa
- (5) Nút điều chỉnh cho cỡ định độ sâu
- (6) Nút nhả khóa để sử dụng gạt chọn phương thức hoạt động
- (7) Gạt Chọn Chế Độ Hoạt Động

- (8) Gạc vận chuyển đổi chiều quay  
 (9) Công tắc Tắt/Mở  
 (10) Tay nắm (có bề mặt nắm cách điện)  
 (11) Pin<sup>a)</sup>  
 (12) Đèn làm việc  
 (13) Tay nắm phụ (có bề mặt nắm cách điện)  
 (14) Cờ định độ sâu  
 (15) Giao diện người dùng  
 (16) Nút tháo pin<sup>a)</sup>  
 (17) Hiển thị Trang thái dụng cụ điện (Giao diện người dùng)  
 (18) Đèn báo trạng thái nạp pin (Giao diện người dùng)  
 (19) Hiển thị Chế độ ngắt nhanh (Giao diện người dùng)  
 (20) Nút chọn chế độ làm việc (Giao diện người dùng)  
 (21) Hiển thị Smartphone (Giao diện người dùng)  
 (22) Hiển thị chế độ làm việc (Giao diện người dùng)  
 (23) Hiển thị nhiệt độ (Giao diện người dùng)  
 (24) Phần lắp đầu gài phổ thông với chuỗi SDS plus<sup>a)</sup>

a) **Phụ tùng được trình bày hay mô tả không phải là một phần của tiêu chuẩn hàng hóa được giao kèm theo sản phẩm. Bạn có thể tham khảo tổng thể các loại phụ tùng, phụ kiện trong chương trình phụ tùng của chúng tôi.**

## Thông số kỹ thuật

Búa khoan dùng pin		GBH 187-LI
Mã số máy		3 611 J23 0..
Điện thế danh định	V=	18
Tốc độ danh định		
– Chiều quay phải	min <sup>-1</sup>	0–980
– Chiều quay trái	min <sup>-1</sup>	0–980
Tần suất đập <sup>A)</sup>	min <sup>-1</sup>	0–4350
Năng lượng va đập của từng hành trình dựa theo EPTA-Procedure 05:2016	J	2,4
Phần lắp dụng cụ		SDS plus
Ø lỗ khoan tối đa		
– Bê tông <sup>B)</sup>	mm	24
– Thép	mm	13
– Gỗ	mm	30
Trọng lượng theo EPTA-Procedure 01:2014 <sup>C)</sup>	kg	3,4–4,3

## Búa khoan dùng pin GBH 187-LI

Nhiệt độ môi trường được khuyến nghị khi sạc	°C	0 ... +35
Nhiệt độ môi trường cho phép trong quá trình vận hành <sup>D)</sup> và trong quá trình lưu trữ	°C	-20 ... +50
Pin được khuyến dùng		GBA 18V... (>4.0 Ah) ProCORE18V 8.0Ah/12.0Ah
Thiết bị nạp được giới thiệu		GAL 18... GAX 18... GAL 36...

## Truyền dữ liệu

Bluetooth®		Bluetooth® 4.2 (Low Energy) <sup>E)</sup>
Phạm vi tín hiệu tối đa	m	30 <sup>F)</sup>
Khoảng tần số đã dùng	MHz	2400–2483,5
Công suất đầu ra	mW	< 1

## Nguồn cung năng lượng Bluetooth® Low Energy Module

Pin cúc áo		Ắc quy 3-V-Lithium, CR 2450
Tuổi thọ của pin cúc áo khoảng.	Năm	5

- A) Được đo ở 20–25 °C với pin **ProCORE18V 12.0Ah**.  
 B) Công suất tối ưu với đường kính khoan **6–14 mm**  
 C) tùy vào loại pin lốc đang sử dụng  
 D) hiệu suất giới hạn ở nhiệt độ <0 °C  
 E) Các thiết bị di động đầu cuối phải tương thích với các thiết bị Bluetooth® Low Energy (Phiên bản 4.2) và phải hỗ trợ chế độ Generic Access Profile (GAP).  
 F) Phạm vi có thể biến đổi mạnh tùy thuộc vào điều kiện bên ngoài, bao gồm thiết bị thu nhận được dùng. Trong các phòng kín và qua các rào chắn kim loại (ví dụ tường, giá, và li, v.v.) phạm vi Bluetooth® có thể nhỏ hơn.

## Pin

**Bosch** mua dụng cụ điện chạy pin không có pin. Dù pin được bao gồm trong phạm vi giao hàng của dụng cụ điện, bạn có thể tháo bao gi.

## Sạc pin

- **Chỉ sử dụng bộ sạc được đề cập trong dữ liệu kỹ thuật.** Chỉ những bộ sạc này phù hợp cho dụng cụ điện cầm tay của bạn có sử dụng pin Li-Ion.

**Hướng dẫn:** Pin Lithium-ion được giao một phần do các quy định vận tải quốc tế. Để bảo đảm đầy đủ điện dung, nạp điện hoàn toàn lại cho pin trước khi sử dụng cho lần đầu tiên.

## Lắp pin

Hãy đẩy pin đã sạc vào giá gắn pin cho đến khi nó vào khớp.



## Tháo pin ra

Để tháo pin bạn hãy ấn nút mở khóa pin và kéo pin ra. **Không dùng sức.**

Pin có 2 mức khóa, có nhiệm vụ ngăn ngừa pin bị rơi ra do vô ý bấm phải nút tháo pin. Cứ khi nào pin còn được lắp trong dụng cụ điện, nó vẫn được giữ nguyên vị trí nhờ vào một lò xo.

## Đèn báo trạng thái nạp pin

Các đèn LED màu xanh của màn hình hiển thị tình trạng sạc pin chỉ ra tình trạng sạc của pin. Vì lý do an toàn, ta chỉ có thể kiểm tra trạng thái của tình trạng nạp điện khi máy đã ngừng hoạt động hoàn toàn.

Để hiển thị tình trạng nạp, bạn hãy nhấn nút để hiển thị mức sạc  hoặc . Điều này cũng có thể thực hiện khi ắc quy tháo ra.

Đèn LED không sáng sau khi nhấn nút để hiển thị mức sạc có nghĩa là pin bị hỏng và phải được thay thế.

Mức sạc pin cũng được hiển thị trên giao diện người dùng Hiển thị trạng thái.

### Kiểu pin GBA 18V...



LED	Điện dung
Đèn sáng liên tục 3x màu xanh lá	60–100 %
Đèn sáng liên tục 2x màu xanh lá	30–60 %
Đèn sáng liên tục 1x màu xanh lá	5–30 %
Đèn nhấp nháy 1x màu xanh lá	0–5 %

### Kiểu pin ProCORE18V...



LED	Điện dung
Đèn sáng liên tục 5 x màu xanh lá	80–100 %
Đèn sáng liên tục 4 x màu xanh lá	60–80 %
Đèn sáng liên tục 3 x màu xanh lá	40–60 %
Đèn sáng liên tục 2 x màu xanh lá	20–40 %

LED	Điện dung
Đèn sáng liên tục 1 x màu xanh lá	5–20 %
Đèn nhấp nháy 1 x màu xanh lá	0–5 %

## Các Khuyến Nghị về Cách Bảo Dưỡng Tốt Nhất cho Pin

Bảo vệ pin hợp khối tránh sự ẩm ướt và nước.

Chỉ bảo quản pin trong tầm nhiệt độ nằm giữa  $-20\text{ }^{\circ}\text{C}$  và  $50\text{ }^{\circ}\text{C}$ . Không để pin trong ô tô vào mùa hè.

Thỉnh thoảng làm sạch các khe thông gió của pin bằng cách dùng một cái cọ khô, mềm và sạch.

Sự giảm sút đáng kể thời gian hoạt động sau khi nạp điện chỉ rõ rằng pin hợp khối đã hết công dụng và phải được thay.

Quy trình hoạt động được chia ra làm hai giai đoạn.

## Sự lắp vào

- ▶ **Trước khi tiến hành bất cứ công việc gì với máy (ví dụ bảo dưỡng, thay dụng cụ v.v..) cũng như khi vận chuyển hay lưu kho, tháo pin ra khỏi dụng cụ điện.** Có nguy cơ gây thương tích khi vô tình làm kích hoạt công tắc Tắt/Mở.

## Tay nắm phụ

- ▶ **Chỉ vận hành máy của bạn khi đã gắn tay nắm phụ (13).**
- ▶ **Đảm bảo tay nắm phụ luôn được siết chặt.** Bạn có thể mất kiểm soát thông qua dụng cụ điện khi làm việc.

### Xoay tay nắm phụ (xem hình A)

Bạn có thể xoay tay nắm phụ (13) tùy ý, để có tư thế làm việc an toàn và ít mỏi.

- Xoay phần tay cầm dưới của tay nắm phụ (13) ngược chiều kim đồng hồ và xoay tay nắm phụ (13) vào vị trí mong muốn. Sau đó xoay mẫu tay cầm dưới của tay cầm phụ (13) theo chiều kim đồng hồ để siết chặt.

Hãy lưu ý rằng nẹp định vị của tay nắm phụ được đặt trong rãnh nằm trên vỏ máy đúng như chủ định.

## Thay Dụng Cụ

Chụp bảo vệ ngăn bụi (3) giúp ngăn cản phần lớn sự xâm nhập của bụi khoan vào dụng cụ trong thời gian hoạt động. Khi lắp dụng cụ vào, hãy lưu ý rằng chụp bảo vệ ngăn bụi (3) không bị làm hư hỏng.

- ▶ **Thay chụp ngăn bụi bị hỏng ngay lập tức. Chúng tôi khuyến nghị việc thay thế này do một đại lý phục vụ hậu mãi thực hiện.**

**Thay đổi dụng cụ (SDS-plus)****Thay dụng cụ gài SDS-plus (xem hình B1)**

Mâm cặp khoan SDS-plus cho phép thay đổi dụng cụ khoan được đơn giản và tiện lợi mà không cần tới các dụng cụ phụ trợ khác.

- Làm sạch và thoa một lớp mỏng dầu bôi trơn lên chuôi của dụng cụ.
- Lắp dụng cụ vào bằng cách xoay vặn dụng cụ vào ổ lắp dụng cụ cho đến khi tự ăn vào khớp.
- Kiểm tra xem đã cài chắc chưa bằng cách kéo thử dụng cụ ra.

Theo như yêu cầu của hệ thống, dụng cụ khoan SDS-plus có thể chuyển động tự do. Điều này tạo ra sự đảo tảo tròn khi chạy không tải ở một mức nào đó. Việc này không làm ảnh hưởng đến độ chính xác của lỗ khoan, vì mũi khoan định tâm của chính nó trong khi khoan.

**Tháo dụng cụ gài SDS-plus (xem Hình B2)**

- Đẩy vòng khóa (4) về phía sau và tháo phụ tùng.

**Hút Dăm/Bụi**

Mặt bụi từ các vật liệu được sơn phủ ngoài có chứa chì trên một số loại gỗ, khoáng vật và kim loại có thể gây nguy hại đến sức khỏe con người. Dụng cụ chạm hay hít thở các bụi này có thể làm người sử dụng hay đứng gần bị dị ứng và/hoặc gây nhiễm trùng hệ hô hấp.

Một số mặt bụi cụ thể, ví dụ như bụi gỗ sợi hay dầu, được xem là chất gây ung thư, đặc biệt là có liên quan đến các chất phụ gia dùng xử lý gỗ (chất cromat, chất bảo quản gỗ). Có thể chỉ nên để thợ chuyên môn gia công các loại vật liệu có chứa amiăng.

- Tạo không khí thông thoáng nơi làm việc.
- Khuyến nghị nên mang mặt nạ phòng độc có bộ lọc cấp P2.

Tuân thủ các qui định của quốc gia bạn liên quan đến loại vật liệu gia công.

- ▶ **Tránh không để rác tích tụ tại nơi làm việc.**  
Rác có thể dễ dàng bắt lửa.

**Vận Hành****Bắt Đầu Vận Hành****Điều chỉnh chế độ vận hành**

Bằng công tắc dừng xoay/dừng đập (7) hãy chọn chế độ vận hành của dụng cụ điện.

- Hãy nhấn nút mở khóa (6) để thay đổi chế độ vận hành và xoay công tắc dừng xoay/dừng đập (7) vào vị trí mong muốn, đến khi vào khớp.

**Hướng dẫn:** Chỉ thay đổi chế độ vận hành khi dụng cụ điện tắt! Nếu không, máy có thể bị làm hỏng.



Vị trí **khoan búa** rèn bê-tông hoặc đá



Vị trí **Khoan thường** không đập trên gỗ, kim loại, gốm và nhựa cũng như để **bắt vít**



Vị trí **Vario-Lock** để điều chỉnh vị trí đục  
Tại vị trí này công tắc dừng xoay/dừng đập (7) không khớp.



Vị trí **đục**

**Điều chỉnh hướng xoay (xem Hình C)**

Với gạt vận chuyển đổi chiều quay (8) bạn có thể thay đổi hướng xoay của dụng cụ điện. Tuy nhiên, việc này không thực hiện được khi công tắc Tắt/Mở được nhấn (9).

▶ **Chỉ kích hoạt gạt vận chuyển đổi chiều quay (8) khi dụng cụ điện đã ngừng chạy.**

Luôn luôn chỉnh đặt chiều quay để khoan búa, khoan thường và đục về chiều quay phải.

- **Quay phải:** Để khoan hay bắt vít, đẩy gạt vận chuyển đổi chiều quay (8) sang trái đến cỡ chặn.
- **Xoay ngược chiều kim đồng hồ:** Để nới lỏng hoặc tháo các vít và đai ốc hãy nhấn gạt vận chuyển đổi chiều quay (8) sang bên phải cho tới cỡ chặn.

**Bật/tắt**

- Để **bật** dụng cụ điện cầm tay, bạn hãy nhấn công tắc Tắt/Mở (9).

Đèn làm việc (12) bật sáng khi công tắc Tắt/Mở được nhấn nhẹ hoặc nhấn hết cỡ (9) và cho phép chiếu sáng khu vực làm việc ở các điều kiện chiếu sáng kém.

- Để **tắt** dụng cụ điện, hãy nhà công tắc Tắt/Mở (9).

Đối với khi ở nhiệt độ thấp, máy đạt đến hết công suất búa/dập chỉ sau một khoảng thời gian nhất định.

**Chỉnh đặt Tốc độ/Tần suất Đập**

Bạn có thể liên tục điều chỉnh tốc độ/tần suất đập của dụng cụ điện đang bật tùy theo mức độ bấm công tắc Tắt/Mở mạnh hay nhẹ (9).

Bấm nhẹ công tắc Tắt/Mở (9) sẽ cho tốc độ/tần suất đập thấp. Lực áp mạnh hơn lên công tắc làm tăng tốc độ và tần suất đập.

Bạn có thể điều chỉnh số vòng quay trên giao diện người dùng hoặc bằng ứng dụng Smartphone .

**Thay Đổi Vị Trí Đục (Khóa nhiều vị trí)**

Bạn có thể khóa mũi đục vào các vị trí. Nhờ như vậy, ta có thể tạo tư thế thao tác tốt nhất cho từng ứng dụng.

- Lắp mũi đục vào trong ổ lắp dụng cụ.
- Vận công tắc dừng xoay/dừng đập (7) vào vị trí „Khóa nhiều vị trí“.
- Xoay phần lắp dụng cụ về vị trí đục theo yêu cầu.

- Vận công tắc dừng xoay/dừng đập (7) vào vị trí „Đục“. Giá đỡ dụng cụ được khóa.
- Để đục, chỉnh đặt chiều quay về chiều quay phải.

**Giao diện người dùng (xem hình D)**

Giao diện người dùng (15) dùng để chọn chế độ làm việc cũng như hiển thị tình trạng của dụng cụ điện.

**Hiển thị trạng thái**

Đèn báo trạng thái nạp pin (Giao diện người dùng) (18)	Ý nghĩa/Nguyên nhân	Cách khắc phục
xanh lục (2 đến 5 vạch)	Pin được sạc	–
vàng (1 vạch)	Pin gần cạn	Thay hoặc sạc pin sớm
đỏ (1 vạch)	Bộ nguồn cạn điện	Thay hoặc sạc pin

Hiển thị nhiệt độ (23)	Ý nghĩa/Nguyên nhân	Cách khắc phục
Vàng	Nhiệt độ hoạt động của pin hoặc của dụng cụ điện tăng rõ rệt, công suất bị giảm	Hãy để nguội dụng cụ điện hoặc thay pin bị quá nhiệt
Màu đỏ	Nhiệt độ hoạt động của pin hoặc của dụng cụ điện bị vượt quá, dụng cụ điện được tắt để bảo vệ	Hãy để nguội dụng cụ điện hoặc thay pin bị quá nhiệt

Hiển thị trạng thái dụng cụ điện (17)	Ý nghĩa/Nguyên nhân	Cách khắc phục
Màu xanh lá	Trạng thái OK	–
Vàng	Đạt nhiệt độ tới hạn hoặc ắc quy gần cạn	Để nguội dụng cụ điện, thay hoặc sạc ắc quy
Màu đỏ	Dụng cụ điện bị quá nhiệt hoặc ắc quy cạn	Để nguội dụng cụ điện, thay hoặc sạc ắc quy
Màu đỏ	Công tắc dừng xoay/dừng đập được nhấn trong khi vận hành	Tắt dụng cụ điện và bật lại
	Động cơ bị chặn, pin yếu	Sạc pin hoặc sử dụng kiểu pin được khuyến nghị
	Lỗi chung	– Tắt dụng cụ điện và bật lại hoặc tháo pin và lắp lại Nếu vẫn xuất hiện lỗi: – Hãy gửi dụng cụ điện tới bộ phận dịch vụ khách hàng
nhấp nháy đỏ – kết hợp với hiển thị chế độ ngắt nhanh (19)	Chế độ ngắt nhanh được kích hoạt	Tắt dụng cụ điện và bật lại
Nhấp xanh dương	Dụng cụ điện được kết nối với thiết bị đầu cuối di động qua Bluetooth® hoặc các cài đặt được truyền	–

Hiện thị trạng thái Smartphone (21)	Ý nghĩa/Nguyên nhân	Cách khắc phục
Trắng	Có các thông tin quan trọng (ví dụ cảnh báo nhiệt độ)	Hãy đọc thông báo trên Smartphone

### Chọn chế độ làm việc

Hãy nhấn nút **(20)** liên tục để chọn chế độ làm việc cho đến khi chế độ làm việc do bạn mong muốn bật sáng.

**Lưu ý:** Trong chế độ làm việc **Favorite** các chức năng được cấu hình bằng ứng dụng Smartphone, trong các chế độ làm việc **Auto** các chức năng được thiết lập trước.

### Hiện thị chế độ làm việc Chức năng (22)

**Auto** chiếu sáng

Trong chế độ làm việc **Auto** dụng cụ điện đạt được công suất tối đa.

- 100 % tốc độ tối đa
- Chế độ ngắt nhanh (Kickback Control)

**Favorite** chiếu sáng

Trong chế độ làm việc **Favorite** dụng cụ điện có thể được cấu hình riêng bằng ứng dụng Smartphone.

- Tốc độ có thể được cấu hình theo nhiều cấp đoạn cho các ứng dụng khác nhau:  
tốc độ thấp/trung bình/cao (100 % tốc độ tối đa)

### Hướng Dẫn Sử Dụng

- ▶ **Dụng cụ điện lắp Bluetooth® Low Energy Module được trang bị giao diện vô tuyến. Hãy chú ý các giới hạn địa điểm hoạt động ví dụ như trên máy bay hoặc bệnh viện.**
- ▶ **Trong các vùng mà công nghệ vô tuyến Bluetooth® không được phép sử dụng, bạn phải tắt Bluetooth® Low Energy Module qua ứng dụng.**

#### Điều chỉnh độ sâu lỗ khoan (xem Hình E)

Nhờ chốt chặn độ sâu **(14)**, bạn có thể xác định được độ sâu lỗ khoan **X** mong muốn.

- Bấm nút điều chỉnh cỡ định độ sâu **(5)** và điều chỉnh cỡ định độ sâu trên tay nắm phụ **(13)**. Rãnh trên cỡ định độ sâu **(14)** phải hướng lên trên.
- Hãy đẩy dụng cụ gài SDS-plus vào khe cắm dụng cụ cho tới cỡ chặn **(2)**. Nếu không, sự chuyển dịch của dụng cụ khoan SDS-plus có thể dẫn đến sự điều chỉnh sai độ sâu khoan.
- Kéo chốt chặn độ sâu ra xa sao cho khoảng cách giữa mũi khoan và đầu chốt chặn độ sâu phù hợp với độ sâu lỗ khoan mong muốn **X**.

#### Khớp Ly Hợp Chống Quá Tải

- ▶ **Nếu dụng cụ lắp trong máy bị kẹt hay kẹt, lực truyền động đến trục khoan bị ngăn lại. Luôn giữ chặt dụng cụ điện bằng hai tay và đứng vững vì khi dụng cụ hoạt động sẽ phát sinh lực.**
- ▶ **Hãy tắt dụng cụ điện và tháo dụng cụ gài nếu dụng cụ điện bị vướng. Khi mở máy mà dụng cụ ứng dụng bị kẹt cứng, lực xoắn vận cao có thể xảy ra.**

#### Chế độ ngắt nhanh (Kickback Control)



Chế độ ngắt nhanh (Kickback Control) sẽ cung cấp cách kiểm soát dụng cụ điện tốt hơn và qua đó làm tăng mức độ bảo vệ người dùng so với các dụng cụ điện không có Kickback Control. Ở những vòng quay đột ngột và không thể đoán trước của dụng cụ điện, dụng cụ điện sẽ tắt trục máy khoan, hiển thị ngắt nhanh **(19)** sáng lên và đèn làm việc **(12)** nhấp nháy. Khi chế độ ngắt nhanh được kích hoạt, hiển thị trạng thái **(17)** nhấp nháy đỏ.

- Để **khởi động lại** hãy thả nút bật tắt **(9)** và nhấn lại lần nữa.

#### Lắp đầu chìa vặn vít (xem Hình F)

- ▶ **Chỉ đặt dụng cụ điện đã tắt lên đai ốc/vít.**

Dụng cụ đang quay có thể bị tuột ra.

Để sử dụng đầu chìa vặn vít bạn cần có phần lắp đầu gài phổ thông **(24)** với chuỗi tiếp hợp SDS-plus (Phụ kiện).

- Làm sạch cán chuỗi của chuỗi tiếp hợp và bôi một lớp mỏng dầu bôi trơn lên.
- Lắp phần lắp đầu gài phổ thông bằng động tác xoay vào trong phần lắp dụng cụ cho đến khi được tự động khóa lại.
- Kiểm tra hiệu quả khóa bằng cách kéo thử phần lắp đầu gài phổ thông ra.
- Lắp đầu gài vặn vít vào trong phần lắp đầu gài phổ thông. Chỉ sử dụng đầu gài vặn vít vừa với đầu vít.

- Để tháo phần lắp đầu gài phổ thông hãy đẩy vòng Khóa (4) ra phía sau và tháo phần lắp đầu gài phổ thông (24) ra khỏi phần lắp dụng cụ.

## Các chức năng kết nối

### Các điều kiện của hệ thống để sử dụng ứng dụng

#### Các điều kiện của hệ thống

Thiết bị đầu cuối di động (Máy tính bảng, Điện thoại thông minh) Android 5.1 (và cao hơn)  
iOS 10 (và cao hơn)

### Cài đặt và thiết lập ứng dụng

Để có thể sử dụng chức năng kết nối, trước hết bạn phải cài đặt ứng dụng – tùy theo thiết bị đầu cuối.

- Tải ứng dụng qua kho ứng dụng tương ứng (Apple App Store, Google Play Store).

**Lưu ý:** Cần phải có tài khoản người dùng ở kho ứng dụng tương ứng.

Tên ứng dụng	iOS	Android
Bosch Toolbox		

#### Tên ứng dụng

Bosch  
BeConnected



- Sau đó, chọn thuộc tính mục con **MyTools** hoặc **Connectivity** trong ứng dụng.
- Màn hình hiển thị của thiết bị đầu cuối di động cho biết các bước tiếp theo để kết nối dụng cụ điện với thiết bị đầu cuối.

### Truyền dữ liệu qua Bluetooth®

*Bluetooth®* Low Energy Module gửi một tín hiệu thường xuyên. Tùy thuộc vào môi trường xung quanh mà cần có nhiều khoảng thời gian truyền, trước khi dụng cụ điện được nhận diện. Nếu dụng cụ điện không được nhận diện, hãy kiểm tra điều sau đây:

- Khoảng cách tới thiết bị đầu cuối di động có lớn không?  
Hãy giảm khoảng cách giữa thiết bị đầu cuối di động và dụng cụ điện.
- Pin cúc áo của *Bluetooth®* Low Energy Module tích hợp quá yếu hoặc cạn?

Hãy liên hệ với trung tâm dịch vụ khách hàng được ủy quyền của dụng cụ điện Bosch để thay thế pin cúc áo.

- Tắt *Bluetooth®* trên thiết bị di động đầu cuối và bật lại.  
Kiểm tra xem dụng cụ điện hiện có được nhận diện không.

### Các chức năng kết hợp với dụng cụ điện

Các chức năng kết nối sau đây của dụng cụ điện sẽ khả dụng khi kết hợp với *Bluetooth®* Low Energy Module :

- Đăng ký và cá nhân hóa
- Kiểm tra trạng thái, phát các thông báo cảnh báo
- Các thông tin và cài đặt chung
- Quản lý
- Điều chỉnh cài đặt truyền *Bluetooth®* cho chế độ làm việc **Favorite**

## Bảo Dưỡng và Bảo Quản

### Bảo Dưỡng Và Làm Sạch

- ▶ Trước khi tiến hành bất cứ công việc gì với máy (ví dụ bảo dưỡng, thay dụng cụ v.v..) cũng như khi vận chuyển hay lưu kho, tháo pin ra khỏi dụng cụ điện. Có nguy cơ gây thương tích khi vô tình làm kích hoạt công tắc Tắt/Mở.
- ▶ Để được an toàn và máy hoạt động đúng chức năng, luôn luôn giữ máy và các khe thông gió được sạch.
- ▶ Thay chụp ngăn bụi bị hỏng ngay lập tức. Chúng tôi khuyến nghị việc thay thế này do một đại lý phục vụ hậu mãi thực hiện.
- Hãy làm sạch phần lắp dụng cụ (2) sau khi dùng.

### Thay thế pin cúc áo tích hợp

*Bluetooth®* Low Energy Module gồm một pin nút áo.

Nếu pin cúc áo yếu hoặc cạn, bạn sẽ được thông báo qua **Bosch Toolbox**. Thay pin cúc áo phải do đại lý được ủy nhiệm dịch vụ hàng sau khi bán dụng cụ điện cầm tay Bosch tiến hành.

- ▶ **Lưu ý: Luôn thay thế pin nút áo bằng pin nút áo cùng loại.** Sự nguy hiểm của nổ.
- ▶ **Tháo và xử lý các pin nút áo đã tháo xả đúng cách.** Các pin nút áo đã tháo xả có thể rò rỉ và do đó gây hư hỏng sản phẩm hoặc gây thương tích cho người.

### Dịch vụ hỗ trợ khách hàng và tư vấn sử dụng

Bộ phận phục vụ hàng sau khi bán của chúng tôi trả lời các câu hỏi liên quan đến việc bảo dưỡng và sửa chữa các sản phẩm cũng như phụ tùng thay thế của bạn. Sơ đồ mô tả và thông tin về phụ tùng



thay thế cũng có thể tra cứu theo dưới đây:

**www.bosch-pt.com**

Đội ngũ tư vấn sử dụng của Bosch sẽ giúp bạn giải đáp các thắc mắc về sản phẩm và phụ kiện.

Trong tất cả các phản hồi và đơn đặt phụ tùng, xin vui lòng luôn luôn nhập số hàng hóa 10 chữ số theo nhãn của hàng hóa.

#### **Việt Nam**

CN CÔNG TY TNHH BOSCH VIỆT NAM TẠI

TP.HCM

Tầng 14, Ngôi Nhà Đức, 33 Lê Duẩn

Phường Bến Nghé, Quận 1, Thành Phố Hồ Chí Minh

Tel.: (028) 6258 3690

Fax: (028) 6258 3692 - 6258 3694

Hotline: (028) 6250 8555

Email: [tuvankhachhang-pt@vn.bosch.com](mailto:tuvankhachhang-pt@vn.bosch.com)

[www.bosch-pt.com.vn](http://www.bosch-pt.com.vn)

[www.baohanhbosch-pt.com.vn](http://www.baohanhbosch-pt.com.vn)

#### **Xem thêm địa chỉ dịch vụ tại:**

[www.bosch-pt.com/serviceaddresses](http://www.bosch-pt.com/serviceaddresses)

#### **Vận chuyển**

Pin Li-Ion được khuyến nghị là đối tượng phải tuân theo các quy định của Pháp Luật về Hàng Hóa Nguy Hiểm. Người sử dụng có thể vận chuyển pin hợp khối bằng đường bộ mà không cần thêm yêu cầu nào khác.

Khi được vận chuyển thông qua bên thứ ba (vd. vận chuyển bằng đường hàng không hay đại lý giao nhận), phải tuân theo các yêu cầu đặc biệt về đóng gói và dán nhãn. Phải tham vấn chuyên gia về hàng hóa nguy hiểm khi chuẩn bị gói hàng.

Chỉ gửi pin hợp khối khi vỏ ngoài không bị hư hỏng. Dán băng keo hay che kín các điểm tiếp xúc hở và đóng gói pin hợp khối theo cách sao cho pin không thể xê dịch khi nằm trong bao bì. Ngoài ra, xin vui lòng chấp hành các quy định chi tiết có thể được bổ sung thêm của quốc gia.

#### **Sự thải bỏ**



Dụng cụ điện, pin, phụ kiện và bao bì cần được tái sử dụng theo quy định về môi trường.



Bạn không được ném dụng cụ điện và pin vào thùng rác gia đình!

#### **Pin/ắc quy:**

##### **Li-Ion:**

Tuân thủ những hướng dẫn trong phần vận chuyển (xem „Vận chuyển“, Trang 81).

مخصص للاستعمال الخارجي من خطر الصدمات الكهربائية.

◀ **إن لم يكن بالإمكان تجنب تشغيل العدة الكهربائية في الأجواء الرطبة، فاستخدم مفتاح للوقاية من التيار المتخلف.** إن استخدام مفتاح للوقاية من التيار المتخلف يقلل خطر الصدمات الكهربائية.

#### أمان الأشخاص

◀ **كن يقظا وانتبه إلى ما تفعله واستخدم العدة الكهربائية بتعقل.** لا تستخدم عدة كهربائية عندما تكون متعبا أو عندما تكون تحت تأثير المخدرات أو الكحول أو الأدوية. عدم الانتباه للحظة واحدة عند استخدام العدة الكهربائية قد يؤدي إلى إصابات خطيرة.

◀ **قم لارتداء تجهيزات الحماية الشخصية.** وارتد دائما نظارات واقية. يعد ارتداء تجهيزات الحماية الشخصية، كقناع الوقاية من الغبار وأحذية الأمان الواقية من الانزلاق والوذو أو واقية الأذنين، حسب ظروف استعمال العدة الكهربائية، من خطر الإصابة بجروح.

◀ **تجنب التشغيل بشكل غير مقصود.** تأكد من كون العدة الكهربائية مطفأة قبل توصيلها بالتيار الكهربائي و/أو بالمركم، وقبل رفعها أو حملها. إن كنت تضع إصبعك على المفتاح أثناء حمل العدة الكهربائية أو إن وصلت الجهاز بالشبكة الكهربائية بينما لامفتاح على وضع التشغيل، قد يؤدي إلى وقوع الحوادث.

◀ **انزع أداة الضبط أو مفتاح الربط قبل تشغيل العدة الكهربائية.** قد تؤدي الأداة أو المفتاح المتواجد في جزء دوار من الجهاز إلى الإصابة بجروح.

◀ **تجنب أوضاع الجسم غير الطبيعية.** قف بأمان وحافظ على توازنك دائما. سيسمح لك ذلك بالتمكّن في الجهاز بشكل أفضل في المواقف الغير متوقعة.

◀ **قم بارتداء ثياب مناسبة.** لا ترتد الثياب الفضفاضة أو الملّية. احرص على إبقاء الشعر والملابس بعيدا عن الأجزاء المتحركة. قد تتشابك الثياب الفضفاضة والملّية والشعر الطويل بالأجزاء المتحركة.

◀ **إن جاز تركيب تجهيزات شفت وتجميع الغبار، فتأكد من أنها موصولة وبأنه يتم استخدامها بشكل سليم.** قد يقلل استخدام تجهيزات لشفط الغبار من المخاطر الناتجة عن الغبار.

◀ **لا تستخدم العدة الكهربائية بلا مبالاة وتجاهل قواعد الأمان الخاصة بها نتيجة لتعودك على استخدام العدة الكهربائية وكثرة استخدامها.** فقد يتسبب الاستخدام دون حرص في حدوث إصابة بالغة تحدث في أجزاء من الثانية.

حسن معاملة واستخدام العدد الكهربائية

◀ **لا تفرط بتحميل الجهاز.** استخدم لتفنيذ أشغالك العدة الكهربائية المخصصة لذلك. إنك تعمل بشكل أفضل وأكثر أماناً بواسطة العدة الكهربائية الملائمة في مجال الأداء المذكور.

◀ **لا تستخدم العدة الكهربائية إن كان مفتاح تشغيلها تالف.** العدة الكهربائية التي لم يعد من

## عربي

### إرشادات الأمان

#### الإرشادات العامة للأمان بالعدد الكهربائية

##### تحذير

اطلع على كافة تحذيرات الأمان والتعليمات والصور والمواصفات المرفقة بالعدة الكهربائية. عدم اتباع التعليمات الواردة أدناه قد يؤدي إلى حدوث صدمة كهربائية، إلى نشوب حريق و/أو الإصابة بجروح خطيرة.

احتفظ بجميع الملاحظات التحذيرية والتعليمات للمستقبل.

يقصد بمصطلح «العدة الكهربائية» المستخدم في الملاحظات التحذيرية، العدد الكهربائي الموصولة بالشبكة الكهربائية (بواسطة كابل الشبكة الكهربائية) وأيضا العدد الكهربائي المزودة بمركم (دون كابل الشبكة الكهربائية).

#### الأمان بمكان الشغل

◀ **حافظ على نظافة مكان شغلك وإضاءته بشكل جيد.** الفوضى في مكان الشغل ونطاقات العمل غير المضاءة قد تؤدي إلى وقوع الحوادث.

◀ **لا تشغل بالعدة الكهربائية في نطاق معرض لخطر الانفجار مثل الأماكن التي تتوفر فيه السوائل أو الغازات أو الأبخرة القابلة للاشتعال.** العدد الكهربائي تولد شررا قد يتطاير، فيشعل الأبخرة والأبخرة.

◀ **حافظ على بقاء الأطفال وغيرهم من الأشخاص بعيدا عندما تستعمل العدة الكهربائية.** تشتت الانتباه قد يتسبب في فقدان السيطرة على الجهاز.

#### الأمان الكهربائي

◀ **يجب أن يتلائم قابس العدة الكهربائية مع المقبس.** لا يجوز تغيير القابس بأي حال من الأحوال. لا تستعمل القوايس المهينة مع العدد الكهربائية المؤرّضة (ذات طرف أرضي). تخفّض القوايس التي لم يتمّ تغييرها والمقابس الملائمة من خطر الصدمات الكهربائية.

◀ **تجنب ملامسة جسمك للأسطح المؤرّضة كالأنابيب والمبردات والمواقد أو التلّاجات.** يزداد خطر الصدمات الكهربائية عندما يكون جسمك مَوْض أو موصل بالأرضي.

◀ **أبعد العدة الكهربائية عن الأمطار أو الرطوبة.** يزداد خطر الصدمات الكهربائية إن تسرب الماء إلى داخل العدة الكهربائية.

◀ **لا تسيّ استعمال الكابل.** لا تستخدم الكابل في حمل العدة الكهربائية أو سحبها أو سحب القابس من المقبس. احرص على إبعاد الكابل عن الحرارة والزيت والحواف الحادة أو الأجزاء المتحركة. تزيد الكابلات التالفة أو المتشابكة من خطر الصدمات الكهربائية.

◀ **عند استخدام العدة الكهربائية خارج المنزل اقتصر على استخدام كابلات التمديد الصالحة للاستعمال الخارجي.** يقلل استعمال كابل تمديد

- الممكن التحكم بها عن طريق مفتاح التشغيل والإطفاء تعتبر خطيرة ويجب أن يتم إصلاحها.
- ◀ **اسحب القابس من المقبس و/أو اخلع المرمك، إذا كان قابلاً للخلع، قبل ضبط الجهاز وقبل استبدال الملحقات أو قبل تخزين الجهاز.** تمنع هذه الإجراءات وقائية تشغيل العدة الكهربائية بشكل غير مقصود.
- ◀ **احتفظ بالعدد الكهربائية التي لا يتم استخدامها بعيداً عن متناول الأطفال.** لا تسمح باستخدام العدة الكهربائية لمن لا خبرة له بها أو لمن لم يقرأ تلك التعليمات. العدد الكهربائية خطيرة إن تم استخدامها من قبل أشخاص دون خبرة.
- ◀ **اعتن بالعدة الكهربائية والملحقات بشكل جيد.** تأكد أن أجزاء الجهاز المتحركة مركبة بشكل سليم وغير مستعصية عن الحركة، وتفحص ما إن كانت هناك أجزاء مكسورة أو في حالة تؤثر على سلامة أداء العدة الكهربائية. ينبغي إصلاح هذه الأجزاء التالفة قبل إعادة تشغيل الجهاز. الكثير من الموادث مصدرها العدد الكهربائية التي تتم صيانتها بشكل رديء.
- ◀ **احرص على إبقاء عدد القطع نظيفة وحادة.** إن عدد القطع ذات حواف القطع المادة التي تم صيانتها بعناية تتكلم بشكل أقل ويمكن توجيهها بشكل أيسر.
- ◀ **استخدم العدد الكهربائية والتوابع وريش الشغل إلخ. وفقاً لهذه التعليمات. تراعى أثناء ذلك ظروف الشغل والعمل المراد تنفيذه.** استخدام العدد الكهربائية لغير الأشغال المخصصة لأجلها قد يؤدي إلى حدوث الحالات الخطيرة.
- ◀ **احرص على إبقاء المقابض وأسطح المسك جافة ونظيفة وخالية من الزيوت والشحوم.** المقابض وأسطح المسك الزلقة لا تتبع التشغيل والتحكم الآمن في العدة في المواقف غير المتوقعة.
- ◀ **حسن معاملة واستخدام العدد المزودة بمرمك اشحن المراكم فقط في أجهزة الشحن التي يُنصح باستخدامها من طرف المنتج.** قد يتسبب جهاز الشحن المخصصة لنوع معين من المراكم في خطر الحريق إن تم استخدامه مع نوع آخر من المراكم.
- ◀ **استخدم العدد الكهربائية فقط مع المراكم المصممة لهذا الغرض.** قد يؤدي استخدام المراكم الأخرى إلى إصابات وإلى خطر نشوب الحرائق.
- ◀ **حافظ على إبعاد المرمك الذي لا يتم استعماله عن مشابك الورق وقطع النقود المعدنية والمفاتيح والمسامير واللواكب أو غيرها من الأغراض المعدنية الصغيرة التي قد تقوم بتوصيل الملامسين ببعضهما البعض.** قد يؤدي تقصير الدارة الكهربائية بين ملامسي المرمك إلى الاحتراق أو إلى اندلاع النار.
- ◀ **قد يتسرب السائل من المرمك في حالة سوء الاستعمال.** تجنب ملامسته. اشطفه بالماء في حال ملامسته بشكل غير مقصود. إن وصل السائل إلى العينين، فراجع الطبيب إضافة إلى
- ذلك. قد يؤدي سائل المرمك المتسرب إلى تهيج البشرة أو إلى الاحتراق.
- ◀ **لا تستخدم عدة أو مرمك تعرضاً لأضرار أو للتعديل.** البطاريات المعرضة لأضرار أو لتعدلات قد ينتج عنها أشياء لا يمكن التنبؤ بها، قد تسبب نشوب حريق أو حدوث انفجار أو إصابات.
- ◀ **لا تعرض المرمك أو العدة للهب أو لدرجة حرارة زائدة.** التعرض للهب أو لدرجة حرارة أعلى من 130 °م قد يتسبب في انفجار.
- ◀ **اتبع تعليمات الشحن ولا تقم بشحن المرمك أو العدة خارج نطاق درجة الحرارة المحدد في التعليمات.** الشحن بشكل غير صحيح أو في درجات حرارة خارج النطاق الممدد قد يعرض المرمك لأضرار ويزيد من مخاطر الحريق.
- الخدمة**
- ◀ **احرص على إصلاح عدتك الكهربائية فقط بواسطة العمال المتخصصين وباستعمال قطع الغيار الأصلية فقط.** يضمن ذلك المحافظة على أمان الجهاز.
- ◀ **لا تقم بإجراء أعمال خدمة على المراكم التالفة.** أعمال الخدمة على المراكم يجب أن تقوم بها الجهة الصانعة فقط أو مقدم الخدمة المعتمد.
- إرشادات الأمان للمطابق**
- تعليمات الأمان لكافة التطبيقات**
- ◀ **احرص على ارتداء واقيات للأذنين.** التعرض للضوضاء قد يتسبب في فقدان السمع.
- ◀ **استخدم المقبض (المقابض) الإضافية إذا كانت العدة مزودة بها.** فقدان السيطرة على المعدة قد يتسبب في حدوث إصابات.
- ◀ **أمسك العدة الكهربائية من أسطح المسك المعزولة عند القيام بأعمال قد يترتب عليها ملامسة ملحق القطع أو أداة الربط لأسلاك كهربائية غير ظاهرة.** ملامسة ملحق القطع وأدوات الربط لسلك «مكهرب» قد يتسبب في مرور التيار في الأجزاء المعدنية من العدة وجعلها مكهربة مما قد يصيب المشغل بصدمة كهربائية.
- تعليمات الأمان عند استخدام ريش ثقب طويلة مع مطارق دوارة**
- ◀ **احرص دائماً على بدء الثقب بسرعة منخفضة بحيث تكون رأس الريشة ملامسة لقطعة الشغل.** فعلى السرعات العالية ستكون الريشة معرضة للثني في حالة دورانها بشكل حر دون لمس قطعة الشغل، مما قد يؤدي لوقوع إصابات.
- ◀ **لا تضغط إلا على خط واحد مع الريشة، ولا تضغط بشكل زائد.** فقد تنتهي الريش، وتعرض للكسر أو تسبب فقدان السيطرة، مما يؤدي لوقوع إصابات.
- إرشادات الأمان الإضافية**
- ◀ **استخدم أجهزة تنقيب ملائمة للعثور على خطوط الإمداد غير الظاهرة، أو استعن بشركة الإمداد المحلية.** ملامسة الخطوط الكهربائية قد تؤدي إلى اندلاع النار وإلى الصدمات الكهربائية. حدوث أضرار بخطر الغاز قد يؤدي إلى حدوث

- انفجارات. اختراق خط الماء يتسبب في وقوع أضرار مادية.
- انتظر إلى أن تتوقف العدة الكهربائية عن الحركة قبل أن تضعها جانباً. قد تتكلم عدة الشغل فتؤدي إلى فقدان السيطرة على العدة الكهربائية.
- احرص على تأمين قطعة الشغل. قطعة الشغل المثبتة بواسطة تجهيزة شد أو بواسطة الملزمة مثبتة بأمان أكبر مما لو تم الإمساك بها بواسطة يدك.
- قد تتلحق أبخرة عند تلف المرمك واستخدامه بطريقة غير ملائمة. يمكن أن يحترق المرمك أو يتعرض للانفجار. أمن توفر الهواء النقي وراجع الطبيب إن شعرت بشكوى. قد تهيج هذه الأبخرة المجاري التنفسية.
- لا تفتح المرمك. يتشكل خطر تقصير الدائرة الكهربائية.
- يمكن أن يتعرض المرمك لأضرار من خلال الأشياء المدببة مثل المسامير والمفكات أو من خلال تأثير القوى الخارجية. وقد يؤدي هذا إلى تقصير الدائرة الكهربائية الداخلية واحتراق المرمك أو خروج الأدخنة منه أو انفجاره وتعرضه لسخونة مفرطة.
- اقتصر على استخدام المرمك في منتجات الجهة الصانعة. يتم حماية المرمك من فُرط التحميل الخطير بهذه الطريقة فقط دون غيرها.
- احرص على حماية المرمك من الحرارة، بما ذلك التعرض لأشعة الشمس باستمرار ومن النار والانساخ والماء والرطوبة. حيث ينشأ خطر الانفجار وخطر حدوث دائرة قصر.
- لا تقم بلمس أدوات الشغل أو أجزاء جسم الجهاز الملاصقة لها بعد التشغيل مباشرة. فقد تعرض هذه الأجزاء للسخونة أثناء التشغيل، مما يعرضك للاحتراق في حالة لمسها.
- قد تتعرض أداة الشغل للإعاقة أثناء عملية الثقب. احرص على أن تكون في وضعية ثابتة، وأمسك الجهاز جيداً بكلتا يديك. وإلا فقد تفقد السيطرة على العدة الكهربائية.
- كن حذراً أثناء أعمال الهدم باستخدام الأزميل. قد تتسبب قطع التكسير المتساقطة في إصابة الأشخاص المحيطين بك أو إصابتك أنت نفسك.
- أمسك العدة الكهربائية جيداً بكلتا يديك عند العمل، واحرص على أن تكون في وضعية ثابتة. يتم توجيه العدة الكهربائية بأمان بواسطة اليدين اللتين.
- احرص عند تغيير البطارية الخلفية أن يتم استبدالها بطريقة فنية سليمة. قد ينشأ خطر انفجار.
- اقتصر على استخدام البطاريات القرصية المذكورة في دليل التشغيل هذا. لا تستخدم بطاريات قرصية أخرى أو مصدر آخر للإمداد بالتيار.
- لا تحاول إعادة شحن البطارية القرصية، ولا تقم بعمل دائرة قصر للبطارية. قد تصعب البطارية القرصية غير محكمة ضد التسريب، وقد تنفجر أو تشتعل مما يعرض الأشخاص للإصابة.
- احرص على خلع البطاريات القرصية التي فرغت شحنتها وتخلص منها وفقاً للتشريعات. البطاريات فارغة الشحنة قد تصعب غير محكمة ضد التسريب وبالتالي، فقد تتسبب في وقوع أضرار بالمنزوع وفي حدوث إصابات.
- احرص على ألا ترتفع درجة حرارة البطارية الخلفية بشكل زائد وألا تلقها في النار. قد تصعب البطارية القرصية غير محكمة ضد التسريب، وقد تنفجر أو تشتعل مما يعرض الأشخاص للإصابة.
- احرص على عدم حدوث أضرار بالبطارية القرصية ولا تقم بتفكيكها. قد تصعب البطارية القرصية غير محكمة ضد التسريب، وقد تنفجر أو تشتعل مما يعرض الأشخاص للإصابة.
- لا تجعل البطارية القرصية التالفة تلامس الماء. قد يتسبب الليثيوم المتسرب من البطارية عند ملامسته الماء في انبعاث الهيدروجين، وبالتالي فقد يحدث حريق أو انفجار أو إصابات للأشخاص.
- احترس! عند استخدام العدة الكهربائية المزودة بتقنية Bluetooth® قد يتسبب هذا في حدوث تشويش على الأجهزة والأنظمة والطائرات والأجهزة الطبية الأخرى (على سبيل المثال منظم ضربات القلب، السماعات الطبية). كما لا يمكن أيضاً استبعاد حدوث أضرار للأشخاص أو الحيوانات المتواجدين في النطاق القريب. لا تستخدم العدة الكهربائية المزودة بتقنية Bluetooth® بالقرب من الأجهزة الطبية ومحطات التزود بالوقود ومصانع الكيماويات والمناطق التي يتهدها خطر الانفجار. لا تستخدم العدة الكهربائية المزودة بتقنية Bluetooth® في الطائرات. تجنب التشغيل لمدد طويلة على مسافة قريبة من الجسم.

اسم ماركة Bluetooth® وشعاراتها هي علامات تجارية مسجلة، وهي ملك لشركة Bluetooth SIG Inc. أي استخدام لاسم الماركة/شعارها من قبل شركة Robert Bosch Power Tools GmbH يتم من خلال ترخيص.

## الرموز

قد تكون الرموز التالية ذات أهمية من أجل استعمال عدتك الكهربائية. يرجى حفظ الرموز

- تحذير
- تأكد من عدم وصول البطارية القرصية إلى أيدي الأطفال. البطاريات القرصية خطيرة.
- لا يجوز مطلقاً بلع البطاريات القرصية أو إدخالها في أي فتحة من فتحات الجسم. إذا ساورك الشك في أنك ابتلعت البطارية



- (14) محدد العمق  
(15) واجهة المستخدم  
(16) زر فك إقفال المرمك<sup>(a)</sup>  
(17) مبین حالة العدة الكهربائية (واجهة المستخدم)  
(18) مبین حالة شحن المرمك (واجهة المستخدم)  
(19) مبین خاصية الإطفاء السريع (واجهة المستخدم)  
(20) زر اختيار وضع العمل (واجهة المستخدم)  
(21) مبین الهاتف الذكي (واجهة المستخدم)  
(22) مبین أوضاع العمل (واجهة المستخدم)  
(23) مبین درجة الحرارة (واجهة المستخدم)  
(24) حامل شامل مع ساق حوض SDS plus<sup>(a)</sup>  
(a) لا يتضمن إطار التوريد الاعتيادي التوابع المصورة أو المشروحة. تجد التوابع الكاملة في برنامجنا للتوابع.

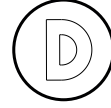
### البيانات الفنية

مطرقة ثقب عاملة بمرمك		GBH 187-LI
رقم الصنف		3611 J230..
الجهد الاسمي	فلط=	18
عدد اللفات الاسمي		
- دوران جهة اليمين	دقيقة <sup>1</sup>	980-0
- دوران جهة اليسار	دقيقة <sup>1</sup>	980-0
عدد الطرقات <sup>(A)</sup>	دقيقة <sup>1</sup>	4350-0
قوة الطرقة المفردة حسب EPTA- Procedure 05:2016	جول	2,4
حاضن العدة		SDS plus
أقصى قطر ثقب		
- الخرسانة <sup>(B)</sup>	مم	24
- فولاذ	مم	13
- خشب	مم	30
الوزن حسب EPTA- Procedure 01:2014 <sup>(C)</sup>	كجم	4,3-3,4
درجة الحرارة المحيطة الموصى بها عند الشحن	°م	35+ ... 0
درجة الحرارة الخارجية المسموح بها عند التشغيل <sup>(D)</sup> وعند التخزين	°م	50+ ... 20-
المراكم الموصى بها		GBA 18V... (≤4.0 أمبير ساعة) ProCORE18V 12.0/8.0Ah أمبير ساعة
أجهزة الشحن الموصى بها		GAL 18... GAX 18... GAL 36...

ومعناها. يساعدك تفسير الرموز بشكل صحيح على استعمال عدتك الكهربائية بطريقة افضل وأكثر أماناً.

### الرموز ومعناها

تسجيل البيانات مفعل في هذه العدة الكهربائية.



عدة كهربائية متصلة بالشبكة مزودة بتقنية Bluetooth<sup>®</sup> مدمجة



### وصف المنتج والأداء

**اقرأ جميع إرشادات الأمان والتعليمات.** ارتكاب الأخطاء عند تطبيق إرشادات الأمان والتعليمات، قد يؤدي إلى حدوث صدمات الكهربائية أو إلى نشوب الحرائق و/أو الإصابة بجروح خطيرة.



يرجى الرجوع إلى الصور الموجودة في الجزء الأول من دليل التشغيل.

### الاستعمال المخصص

العدة الكهربائية مخصصة للثقب المرفق بالطرق في الخرسانة والطوب والحجر وأيضاً لإجراء أعمال النحت الخفيفة. كما أنها صالحة للثقب بلا دق في الخشب والمعادن والخزف والبلاستيك. وتصلح العدة الكهربائية المزودة بالتحكم الإلكتروني والدوران اليميني/اليساري لربط اللوالب أيضاً. يمكن نقل البيانات والإعدادات الخاصة بالعدة الكهربائية عن طريق الموديول Bluetooth<sup>®</sup> Low Energy Module المدمج بواسطة تقنية Bluetooth<sup>®</sup> اللاسلكية، حيث يتم النقل بين العدة الكهربائية والجهاز الجوال.

### الأجزاء المصورة

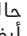

يشير ترقيم الأجزاء المصورة إلى رسوم العدة الكهربائية الموجودة في صفحة الرسوم التخطيطية.

- (1) طرف ريش الثقب SDS plus
- (2) حاضن العدة SDS plus
- (3) غطاء الوقاية من الغبار
- (4) جلبة إقفال
- (5) زر ضبط محدد العمق
- (6) زر تحرير مفتاح إيقاف الدق/الدوران
- (7) مفتاح إيقاف الدق/الدوران
- (8) مفتاح تمويل اتجاه الدوران
- (9) مفتاح التشغيل والإطفاء
- (10) مقبض (سطح قبض معزول)
- (11) المرمك<sup>(a)</sup>
- (12) ضوء العمل
- (13) مقبض إضافي (سطح قبض معزول)

بشكل غير مقصود. يتم تثبيت المرمك بواسطة نابض ما دام مركبًا في العدة الكهربائية.

### مبين حالة شحن المرمك

تشير مصابيح الدايبود الخضراء الخاصة بمبين حالة شحن المرمك لحالة شحن المرمك. لأسباب تتعلق بالسلامة فإنه لا يمكن الاستعلام عن حالة الشحن إلا والعدة الكهربائية متوقفة.

اضغط على زر مبين حالة الشحن  أو  لعرض حالة الشحن. يمكن هذا أيضًا والمركم مخرج. إذا لم يضيء أي مصباح دايبود بعد الضغط على زر مبين حالة الشحن، فهذا يعني أن المرمك تالف ويجب تغييره.

تتم الإشارة إلى حالة شحن المرمك في واجهة المستخدم مبيّنات الحالة.

### نوع المرمك GBA 18V...



السعة	لمبة LED
100-60 %	ضوء مستمر ×3 أخضر
60-30 %	ضوء مستمر ×2 أخضر
30-5 %	ضوء مستمر ×1 أخضر
5-0 %	ضوء وماض ×1 أخضر

### نوع المرمك ProCORE18V...



السعة	لمبة LED
100-80 %	ضوء مستمر ×5 أخضر
80-60 %	ضوء مستمر ×4 أخضر
60-40 %	ضوء مستمر ×3 أخضر
40-20 %	ضوء مستمر ×2 أخضر
20-5 %	ضوء مستمر ×1 أخضر
5-0 %	ضوء وماض ×1 أخضر

### ملاحظات للتعامل مع المرمك بطريقة مثالية

قم بحماية المرمك من الرطوبة والماء. لا تقم بتخزين المرمك إلا في نطاق درجة حرارة يقع بين -20°م وحتى 50°م. لا تترك المرمك في السيارة في فصل الصيف مثلاً.

نظف فتحات التهوية بالمرمك من فترة لأخرى، بواسطة فرشاة طرية ونظيفة وجافة. إذا انخفضت فترة التشغيل بعد الشحن بدرجة كبيرة فهذا يعني أن المرمك قد استهلك وأنه يجب استبداله.

تراجع الإرشادات عند التخلص من العدد.

### GBH 187-LI

### مطرقة ثقب عاملة بمرمك

#### نقل البيانات

Bluetooth®	
Bluetooth® 4.2 (Low Energy) <sup>E</sup>	
أقصى مدى للإشارة	متراً
نطاق التردد المستخدم	ميغا هرتز
قدرة الخرج	ملي واط

#### الإمداد بالطاقة Bluetooth® Low Energy Module

بطارية قرصية	
بطارية ليثيوم CR 2450، 3 فلط،	
العمر الافتراضي للبطارية	سنوات
القرصية حوالي	5

(A) مفاصة عند درجة حرارة 20-25°م مع مرمك

**ProCORE18V 12.0Ah**

(B) أداء مثالي مع قطر الثقب 6-14 مم

(C) حسب المرمك المستخدم

(D) قدرة محدودة في درجات الحرارة >0°م

(E) يجب أن يكون الجهاز الجوال متوافق مع الأجهزة Bluetooth® منخفضة الطاقة Low-Energy (الإصدار 4.2) وبدعم وضع الوصول العام (GAP).

(F) قد يختلف مدى الإرسال بدرجة كبيرة تبعاً للظروف الخارجية، بما في ذلك جهاز الاستقبال المستخدم. داخل الأماكن المغلقة ومن خلال الحوائج المعدنية (على سبيل المثال الجدران والأرفف والحفاب وما شابه) قد ينخفض مدى إرسال Bluetooth® بشكل كبير.

### مرمك

تبيع شركة Bosch العدد الكهربائية العاملة بمرمك دون مرمك أيضاً. يمكنك أن تعرف من العبوة ما إذا كان المرمك موجود ضمن مجموعة التجهيزات الموردة مع العدة الكهربائية الخاصة بك.

### شحن المرمك

← اقتصر على استخدام أجهزة الشحن المذكورة في المواصفات الفنية. أجهزة الشحن هذه دون غيرها هي المتوائمة مع مرمك أيونات الليثيوم المستخدم في عدتك الكهربائية.

**ملحوظة:** يتم تسليم مراكم أيونات الليثيوم مشحونة جزئياً وفقاً للوائح النقل الدولية. لضمان قدرة أداء المرمك الكاملة، يتوجب شحن المرمك بشكل كامل قبل الاستعمال لأول مرة.

### تركيب المرمك

أدخل المرمك المشحون في موضع تثبيت المرمك إلى أن يثبت بشكل ملموس.

### نزع المرمك

لخلع المرمك اضغط على زر تحرير المرمك وأخرج المرمك. لا تستخدم القوة أثناء ذلك.

يمتاز المرمك بدرجتى إقفال اثنتين، تمنعان سقوط المرمك للخارج في حال ضغط زر فك إقفال المرمك

## التركيب

◀ **انزع المرمك عن العدة الكهربائية قبل إجراء أي أعمال بالعدة الكهربائية (مثلاً: الصيانة، استبدال العدد وإلخ..) وأيضاً عند نقلها أو تخزينها.** هناك خطر إصابة بجروح عند الضغط على مفتاح التشغيل والإطفاء بشكل غير مقصود.

### مقبض إضافي

◀ **استخدم العدة الكهربائية فقط مع المقبض الإضافي (13).**

◀ **تأكد دائماً أن المقبض الإضافي مربوط بإحكام.** وإلا فقد تفقد السيطرة على العدة الكهربائية في أي وقت أثناء العمل.

**تحريك المقبض الإضافي (انظر الصورة A)**

يمكنك تحريك المقبض الإضافي (13) كما تريد للوصول إلى وضع عمل آمن ومريح.

- أدر قطعة المقبض السفلية بالمقبض الإضافي (13) عكس اتجاه عقارب الساعة وحرك المقبض الإضافي (13) إلى الوضع المرغوب. أدر قطعة القبض السفلية بالمقبض الإضافي (13) بعد ذلك في اتجاه حركة عقارب الساعة بإحكام. انتبه إلى دخول سير شد المقبض الإضافي في المزج المخصص له بالهيكل.

### استبدال العدد

يعمل غطاء الوقاية من الغبار (3) على منع دخول غبار الثقب إلى حاضن العدة أثناء الاستخدام. احرص أثناء استخدام العدة الكهربائية على عدم حدوث أضرار بغطاء الوقاية من الغبار (3).

◀ **يجب تغيير غطاء الوقاية من الغبار التالف على الفور.** وينصح أن يتم ذلك من قبل مركز خدمة العملاء.

### استبدال العدد (SDS-plus)

**تركيب عدة الشغل SDS-plus (انظر الصورة B1)**  
مع طرف ريش الثقب SDS-plus يمكنك تغيير عدة الشغل بكل سهولة وراحة دون استخدام عدد إضافية.

- نظف طرف الإدخال بعدة الشغل وشحمه قليلاً.  
- قم بتركيب عدة الشغل في حاضن العدة أثناء إدارتها إلى أن تتعاشق من تلقاء نفسها.

- افحص ثبات الإقفال من خلال جذب العدة. تكون عدة الشغل SDS-plus حرة الحركة وفقاً لتصميم النظام. مما يؤدي إلى انحراف دوراني عند التشغيل بلا حمل. لا يؤثر ذلك على دقة الثقب، لأن لقمة الثقب ترتكز من تلقاء نفسها أثناء الثقب.

**فك عدة الشغل SDS-plus (انظر الصورة B2)**

- ادفع لبيسة الإقفال (4) إلى الخلف وانزع عدة الشغل.

### شفت الغبار/النشارة

إن أغبرة بعض المواد كالطلاء الذي يحتوي على الرصاص، وبعض أنواع الخشب والفولاذ والمعادن، قد تكون مضرّة بالصحة. إن ملامسة أو استنشاق الأغبرة قد يؤدي إلى ردود فعل زائدة الحساسية و/

أو إلى أمراض المجاري التنفسية لدى المستخدم أو لدى الأشخاص المتواجدين على مقربة من المكان. تعتبر بعض الأغبرة المعينة، كأغبرة البلوط والزان من مسببات السرطان، وبالأخص عند اتصالها بالمواد الإضافية الخاصة بمعالجة الخشب (ملع حامض الكروميك، المواد الحافظة للخشب). يجوز أن يتم معالجة المواد التي تمتوي على الأسبستوس من قبل العمال المتخصصين فقط دون غيرهم.

- حافظ على تهوية مكان الشغل بشكل جيد.  
- ينصح بارتداء قناع وقاية للتنفس من فئة المرشح P2.

تراعى الأحكام السارية في بلدكم بالنسبة للمواد المرغوب معالجتها.

◀ **تجنب تراكم الغبار بمكان العمل.** يجوز أن تشتعل الأغبرة بسهولة.

## التشغيل

### بدء التشغيل

#### ضبط نوع التشغيل

اختر باستخدام مفتاح إيقاف الطرق/الدوران (7) نوع تشغيل العدة الكهربائية.

- اضغط على زر التمرير (6) لتغيير نوع التشغيل وأدر مفتاح إيقاف الدق/إيقاف الدوران (7) إلى الوضع المرغوب إلى أن يتعاشق بصوت مسموع.

**إرشاد:** قم بتغيير نوع التشغيل فقط عندما تكون العدة الكهربائية مطفاةً. وإلا، فقد يتم إتلاف العدة الكهربائية.

وضع الثقب المرفق بالطرق في الفرسانة والمجر



وضع الثقب دون طرق في الخشب والمعادن والخزف واللدائن وأيضاً لغرض ربط اللوالب



وضع القفل المتغير Vario-Lock لضبط وضع النحت في هذا الوضع لا يتعاشق مفتاح إيقاف الدق/إيقاف الدوران (7).



وضع النحت



#### ضبط اتجاه الدوران (انظر الصورة C)

يمكنك أن تغير اتجاه دوران العدة الكهربائية (8) بواسطة مفتاح تغيير اتجاه الدوران. إلا أنه لا يمكن تغييره عندما يكون مفتاح التشغيل والإطفاء (9) مضغوطاً.

◀ **لا تضغط على مفتاح تحويل اتجاه الدوران (8) إلا والعدة الكهربائية متوقفة.**

اضبط اتجاه الدوران دائماً على الدوران اليميني من أجل التثقيب المرفق بالطرق والتثقيب والنحت.

- **دوران يميني:** للثقب ولربط اللوالب، اضغط على مفتاح تحويل اتجاه الدوران (8) إلى اليسار حتى النهاية.

يؤدي الضغط الخفيف على مفتاح التشغيل والإطفاء (9) إلى عدد لفات/طرقات منخفض. ويرتفع عدد اللفات/الطرقات بزيادة الضغط.

يمكنك التحكم في عدد اللفات أيضًا من خلال واجهة المستخدم أو تطبيق الهاتف الذكي.

#### تغيير وضع الإزميل (إقفال - تغيير)

يمكنك تثبيت الإزميل في أوضاع . ويمكنك بذلك أن تتخذ وضعية الشغل الأنسب في كل حالة.

- ركب الإزميل في حاضن العدة.

- أدر مفتاح إيقاف الدق/إيقاف الدوران (7) إلى وضع „Vario-Lock“ (القفل المتغير).

- أدر عدة الشغل إلى وضع الإزميل المرغوب.

- أدر مفتاح إيقاف الدق/إيقاف الدوران (7) إلى وضع "النحت". يتم إقفال حاضن العدة بذلك.

- اضبط اتجاه الدوران من أجل النحت في وضع الدوران اليميني.

#### واجهة المستخدم (انظر الصورة D)

تتلخص وظيفة واجهة المستخدم (15) في اختيار وضع التشغيل وبيان حالة العدة الكهربائية.

- دوران إلى اليسار: لحل أو فك اللوالب والصواميل اضغط مفتاح تغيير اتجاه الدوران (8) إلى اليمين حتى المصدر.

#### التشغيل والإطفاء

- لغرض تشغيل العدة الكهربائية اضغط على مفتاح التشغيل والإطفاء (9).

يضيء مصباح العمل (12) عند الضغط على مفتاح التشغيل والإطفاء (9) بشكل جزئي أو كامل ويسمع بإضاءة مكان الشغل إن كانت ظروف الإضاءة غير ملائمة.

- لغرض إطفاء العدة الكهربائية اترك مفتاح التشغيل والإطفاء (9).

لا تتوصل العدة الكهربائية إلى قدرة الطرق/قدرة الدق الكاملة عندما تكون درجات الحرارة منخفضة إلا بعد فترة زمنية معينة.

#### ضبط عدد اللفات/عدد الطرق

يمكنك أن تتحكم بعدد اللفات/عدد الطرق بالعدة الكهربائية قيد التشغيل دون تدريع، حسب مدى الضغط على مفتاح التشغيل والإطفاء (9).

#### مبيئات الحالة

الحل	المعنى/السبب	مبين حالة شحن المرمك (واجهة المستخدم) (18)
-	المرمك مشحون	أخضر (شريطان إلى 5 شطرات)
قرب تغيير أو شحن المرمك	شحنة المرمك على وشك النفاد	باللون الأصفر (شرطة واحدة)
تغيير أو شحن المرمك	المرمك فارغ	أحمر (شرطة واحدة)

الحل	المعنى/السبب	مبين درجة الحرارة (23)
اترك العدة الكهربائية حتى تبرد، أو قم بتغيير المرمك	ارتفاع درجة حرارة تشغيل المرمك أو العدة الكهربائية بشكل واضح، ويتم تقليل القدرة	أصفر
اترك العدة الكهربائية حتى تبرد، أو قم بتغيير المرمك	تجاوز درجة حرارة تشغيل المرمك أو العدة الكهربائية، يتم إطفاء العدة الكهربائية لحمايتها	أحمر

الحل	المعنى/السبب	مبين حالة العدة الكهربائية (17)
-	الحالة على ما يرام	أخضر
اترك العدة الكهربائية تبرد وقم بتغيير أو شحن المرمك	تم الوصول إلى مستوى حرج لدرجة الحرارة أو شحنة المرمك على وشك النفاد	أصفر
اترك العدة الكهربائية تبرد وقم بتغيير أو شحن المرمك	العدة الكهربائية ساخنة للغاية أو المرمك فارغ الشحنة	أحمر
قم بتشغيل العدة الكهربائية وأطفئها مرة أخرى	مفتاح إيقاف الطرق/الدوران مضغوط أثناء التشغيل	أحمر
شحن المرمك أو استخدام نوع المرمك الموصى به	إعاقة المحرك، المرمك ضعيف للغاية	
- قم بتشغيل العدة الكهربائية وأطفئها مرة أخرى، أو أخرج المرمك وأعد تركيبه	خطأ عام	



الحل	المعنى/السبب	مبين حالة العدة الكهربائية (17)
إذا استمر حدوث الخطأ: - قم بإرسال العدة الكهربائية لخدمة العملاء		يومض باللون الأحمر - بالاشتراك مع مبین خاصية الإطفاء السريع (19)
قم بتشغيل العدة الكهربائية وأطفئها مرة أخرى	انطلقت خاصية الإطفاء السريع	وميض باللون الأزرق
-	ربط العدة الكهربائية عن طريق Bluetooth مع هاتف جوال أو يتم نقل أوضاع الضبط	

الحل	المعنى/السبب	مبين حالة الهاتف الذكي (21)
	هناك معلومات هامة متاحة (على سبيل المثال، تحذير درجة الحرارة)	أبيض

**اختيار وضع العمل**  
كرر الضغط على الزر (20) لاختيار وضع العمل، إلى أن يضيء وضع العمل المرغوب.

**إرشاد:** في وضع العمل **Favorite** يتم تهئية الوظائف عن طريق تطبيق الهاتف الذكي، في وضع العمل **Auto** تكون الوظائف مضبوطة مسبقاً.

مبين وضع العمل (22)	الوظائف
<b>Auto</b> يضيء	في وضع العمل <b>Auto</b> تصل العدة الكهربائية إلى القدرة القصوى. - 100 % من عدد اللفات الأقصى - خاصية الإطفاء السريع (وظيفة Kickback Control)
<b>Favorite</b> يضيء	في وضع العمل <b>Favorite</b> يمكن تهئية العدة الكهربائية بشكل شخصي من خلال تطبيق الهاتف الذكي. - يمكن ضبط عدد اللفات على درجات مختلفة ليناسب تطبيقات متنوعة: عدد لفات منخفض/متوسط/مرتفع (100 % من عدد اللفات الأقصى)

- أخرج محدد العمق بحيث تكون المسافة بين رأس ريشة الثقب وطرف محدد العمق مطابقة للعمق المرغوب X.

#### قابض فرط التحميل

◀ تفصل قوة الدفع عن محور دوران المثقاب عندما تنقبط أو تتكبل عدة الشغل. أمسك العدة الكهربائية دائماً بكلتا اليدين بإحكام وقف بثبات بسبب القوى الناتجة عن ذلك.  
◀ اطفئ العدة الكهربائية وقم بحل عدة الشغل عند انحصار العدة الكهربائية. تتشكل عزوم رد فعل عالية عند تشغيل عدة ثقب مستعصية.

خاصية الإطفاء السريع (وظيفة Kickback Control)

تتيح خاصية الإطفاء السريع (Kickback Control) تمكماً أفضل في العدة الكهربائية وتزيد من درجة حماية المستخدم مقارنة بالعدد الكهربائية غير المزودة بوظيفة Kickback Control. في حالة الدوران المفاجئ وغير المتوقع للعدة الكهربائية حول محور الثقب تنطفئ العدة الكهربائية، ويضيء



#### إرشادات العمل

◀ العدة الكهربائية المزودة بموديول Bluetooth Low Energy Module المدمج مجهزة بوصلة بينية لاسلكية. تراعى قيود التشغيل المحلية، على سبيل المثال في الطائرات أو المستشفيات.  
◀ في المناطق التي لا يجوز فيها استخدام تقنية اللاسلكي Bluetooth® ينبغي استخدام موديول Bluetooth® Low Energy Module عن طريق التطبيق.

#### ضبط عمق الثقب (انظر الصورة E)

باستخدام محدد العمق (14) يمكن تحديد عمق الثقب المرغوب X.

- اضغط على الزر الخاص بضبط محدد العمق (5) وقم بتركيب محدد العمق في المقبض الإضافي (13).

يجب أن تشير الحزوز على محدد العمق (14) إلى الأسفل.

- حرك عدة الشغل SDS-plus حتى النهاية في حاضن العدة (2) SDS-plus. قد تؤدي سهولة حركة عدة الشغل SDS-plus إلى ضبط خطأ لعمق الثقب.

- تظهر في وحدة عرض جهازك الجوال كافة الخطوات الأخرى الخاصة بربط العدة الكهربائية مع جهازك الجوال.

### نقل البيانات عن طريق Bluetooth®

يقوم الموديول المدمج Bluetooth® Low Energy Module بإرسال إشارة على فترات منتظمة. حسب المنطقة المحيطة يمكن أن تكون هناك حاجة للعديد من الفترات الفاصلة للإرسال قبل التعرف على العدة الكهربائية. إذا لم يتم التعرف على العدة الكهربائية قم بمراجعة الآتي:

- هل المسافة الفاصلة حتى الجهاز الجوال كبيرة للغاية؟
- قم بتقليل المسافة بين الجهاز والعدة الكهربائية.
- هل البطارية القرصية للموديول المدمج Bluetooth® Low Energy Module ضعيفة للغاية أو فارغة؟
- لتغيير البطارية القرصية قم بالاتصال بمركز خدمة عملاء بوش المعتمد للعدد الكهربائية.
- أوقف Bluetooth® وأعد تشغيله في جهازك الجوال.
- تأكد أن العدة الكهربائية تم التعرف عليها الآن.

### الوظائف بالارتباط بالعدة الكهربائية

- بالارتباط مع الموديول Bluetooth® Low Energy Module تتوافر وظائف الربط التالية للعدة الكهربائية:
- التسجيل والمواءمة مع المتطلبات الشخصية
  - اختبار الحالة، إصدار بلاغات التحذير
  - المعلومات العامة والإعدادات
  - الإدارة
  - مواءمة أوضاع ضبط إرسال Bluetooth® لوضع العمل Favorite

## الصيانة والخدمة

### الصيانة والتنظيف

- ◀ **انزع المرمك عن العدة الكهربائية قبل إجراء أي أعمال بالعدة الكهربائية (مثلاً: الصيانة، استبدال العدد وإلخ..)** وأيضاً عند نقلها أو تخزينها. هناك خطر إصابة بجروح عند الضغط على مفتاح التشغيل والإطفاء بشكل غير مقصود.
- ◀ **للعمل بشكل جيد وآمن حافظ دائماً على نظافة العدة الكهربائية وفتحات التهوية.**
- ◀ **يجب تغيير غطاء الوقاية من الغبار التالف على الفور. وينصح أن يتم ذلك من قبل مركز خدمة العملاء.**
- قم بتنظيف حاضن العدة (2) بعد كل استخدام.

### تغيير البطارية القرصية المدمجة

يحتوي موديول Bluetooth® Low Energy Module على بطارية قرصية. إذا كانت البطارية القرصية ضعيفة للغاية أو فارغة سيتم إبلاغك بواسطة تطبيق **Bosch Toolbox**. يجب أن يتم تغيير البطارية القرصية عن طريق شركة بوش أو أحد مراكز خدمة العملاء المعتمدة من قبل بوش للعدد الكهربائية.

مبين خاصية الإطفاء السريع (19) ويومض ضوء العمل (12). في حالة تفعيل خاصية الإطفاء السريع يومض مابين الحالة (17) باللون الأحمر.

- لغرض إعادة التشغيل اترك مفتاح التشغيل والإطفاء (9) واضغط عليه مجدداً.

### تركيب لقم ربط اللوالب (انظر الصورة F)

◀ **ضع العدة الكهربائية على اللولب/الصامولة فقط عندما تكون مطفاة.** إن عدد الشغل الدوارة قد تنزلق.

لاستخدام لقم ربط اللوالب تحتاج إلى حامل شامل (24) مع ساق حوض SDS-plus (توابع).

- نظف طرف إدخال ساق الحوض وشحمه قليلاً.
- إغرز الحامل العام في حاضن العدة أثناء إدارته إلى أن يتم إقفاله من تلقاء نفسه.
- تفحص إحكام الثبات من خلال سحب الحامل العام.
- ركب لقمه ربط لوالب في الحامل العام. استخدم فقط لقم ربط اللوالب التي تلائم رأس اللولب.
- لفك الحامل الشامل قم بدفع لبيسة الإقفال (4) إلى الخلف وانزع الحامل الشامل (24) من حاضن العدة.

## وظائف الربط

### اشتراطات النظام لاستخدام التطبيق

#### متطلبات النظام

الجهاز الجوال نظام أندرويد 5.1 (وأعلى)  
تابلت، هاتف ذكي نظام iOS 10 (وأعلى)

### تثبيت التطبيق وتنصيبه

لاستخدام وظائف الاتصال عليك أولاً تثبيت التطبيق، وفقاً للجهاز المستخدم.

- قم بتنزيل التطبيق عن طريق متجر تطبيقات مناسب (Apple App Store, Google Play Store).
- ◀ **إرشاد:** يشترط إنشاء حساب مستخدم في متجر التطبيقات المعني.

#### اسم التطبيق نظام أندرويد



تطبيق Bosch Toolbox

#### اسم التطبيق



Bosch BeConnected

- ثم اختر داخل التطبيق البند الفرعي **MyTools** أو **Connectivity**.

يرجى مراعاة الإرشادات الواردة في جزء النقل (انظر „النقل“، الصفحة 91).

⬅ **تنبيه: احرص دائماً على استبدال البطارية القَرصية ببطارية قَرصية من نفس النوع.** قد ينشأ خطر انفجار.

⬅ **احرص على خلع البطاريات القَرصية التي فرغت شحنتها وتخلص منها وفقاً للتشريعات.** البطاريات فارغة الشحنة قد تصبح غير محكمة ضد التسريب وبالتالي، فقد تتسبب في وقوع أضرار بالمنتج وفي حدوث إصابات.

### خدمة العملاء واستشارات الاستخدام

يجيب مركز خدمة العملاء على الأسئلة المتعلقة بإصلاح المنتج وصيانته، بالإضافة لقطع الغيار. تجد الرسوم التفصيلية والمعلومات الخاصة بقطع الغيار في الموقع: [www.bosch-pt.com](http://www.bosch-pt.com)  
يسر فريق Bosch لاستشارات الاستخدام مساعدتك إذا كان لديك أي استفسارات بخصوص منتجاتنا وملحقاتها.  
يلزم ذكر رقم الصنف ذو الخانات العشر وفقاً للوحة صنع المنتج عند إرسال أية استفسارات أو طلبيات قطع غيار.

### المغرب

Robert Bosch Morocco SARL  
53، شارع الملازم محمد محروود  
20300 الدار البيضاء  
الهاتف: +212 5 29 31 43 27  
البريد الإلكتروني: [sav.outillage@ma.bosch.com](mailto:sav.outillage@ma.bosch.com)

**تجد المزيد من عناوين الخدمة تحت:**

[www.bosch-pt.com/serviceaddresses](http://www.bosch-pt.com/serviceaddresses)

### النقل

تخضع مراكم أيونات الليثيوم الموصى بها لاشتراطات قانون المواد الخطرة. يسمح للمستخدم أن يقوم بنقل المراكم على الطرقات دون التقيد بأية شروط إضافية.

عندما يتم إرسالها عن طريق طرف آخر (مثلاً: الشحن الجوي أو شركة شحن)، يتوجب التقيد بشروط خاصة بصدد التغليف ووضع العلامات. ينبغي استشارة خبير متخصص بنقل المواد الخطيرة عندما يرغب بتحضير المرمك المراد شحنه في هذه الحالة.

لا تقوم بشحن المراكم إلا إذا كان هيكلها الخارجي سليماً. قم بتغطية الملامسات المكشوفة ن بلاصقات، و قم بتغليف المرمك بحيث لا يتحرك في الطرد. يرجى أيضاً مراعاة التشريعات المحلية المتعلقة إن وجدت.

### التخلص من العدة الكهربائية

يجب التخلص من العدة الكهربائية والمركم والتوابع والتغليف بطريقة صديقة للبيئة عن طريق النفايات القابلة لإعادة التصنيع.

لا تلق العدة الكهربائية والمراكم/البطاريات ضمن النفايات المنزلية!



**المراكم/البطاريات:  
مراكم أيونات الليثيوم:**

مناسب برای محیط باز، خطر برق گرفتگی را کم می کنند.

◀ در صورت لزوم کار با ابزار برقی در محیط و اماکن مرطوب، باید از یک کلید حفاظتی جریان خطا و نشستی زمین (کلید قطع کننده اتصال با زمین) استفاده کنید. استفاده از کلید حفاظتی جریان خطا و نشستی زمین خطر برق گرفتگی را کاهش می دهد.

#### رعایت ایمنی اشخاص

◀ حواس خود را خوب جمع کنید، به کار خود دقت کنید و با فکر و هوشیاری کامل با ابزار برقی کار کنید. در صورت خستگی و یا در صورتی که مواد مخدر، الکل و دارو استفاده کرده‌اید، با ابزار برقی کار نکنید. یک لحظه بی توجهی هنگام کار با ابزار برقی، میتواند جراثم های شدیدی به همراه داشته باشد.

◀ از تجهیزات ایمنی شخصی استفاده کنید. همواره از عینک ایمنی استفاده نمایید.

استفاده از تجهیزات ایمنی مانند ماسک ضد گرد و غبار، کفشهای ایمنی ضد لغزش، کلاه ایمنی و گوشی محافظ متناسب با نوع کار با ابزار برقی، خطر مجروح شدن را کاهش میدهد.

◀ مواظب باشید که ابزار برقی بطور ناخواسته بکار نیفتد. قبل از وارد کردن دوشاخه دستگاه در پریز برق، اتصال آن به باتری، برداشتن آن و یا حمل دستگاه، باید دقت کنید که ابزار برقی خاموش باشد. در صورتی که هنگام حمل دستگاه انگشت شما روی دکمه قطع و وصل باشد و یا دستگاه را در حالت روشن به برق بزنید، ممکن است سوانع کاری پیش آید.

◀ قبل از روشن کردن ابزار برقی، همه ابزارهای تنظیم کننده و آپارها را از روی دستگاه بردارید. ابزار و آپارهایی که روی بخش های چرخنده دستگاه قرار دارند، میتوانند باعث ایجاد جراثم شوند.

◀ وضعیت بدن شما باید در حالت عادی قرار داشته باشد. برای کار جای مطمئنی برای خود انتخاب کرده و تعادل خود را همواره حفظ کنید. به این ترتیب میتوانید ابزار برقی را در وضعیتهای غیر منتظره بهتر تحت کنترل داشته باشید.

◀ لباس مناسب بپوشید. از پوشیدن لباسهای گشاد و حمل زینت آلات خودداری کنید. موها و لباس خود را از بخشهای در حال چرخش دستگاه دور نگه دارید. لباسهای گشاد، موی بلند و زینت آلات ممکن است در قسمتهای در حال چرخش دستگاه گیر کنند.

◀ در صورتی که تجهیزاتی برای اتصال وسائل مکش گرد و غبار و یا وسیله جمع کننده گرد و غبار ارائه شده است، باید مطمئن شوید که این وسائل درست نصب و استفاده می شوند. استفاده از وسائل مکش گرد و غبار مصونیت شما را در برابر گرد و غبار زیاده تر میکند.

◀ آشنایی با ابزار به دلیل کار کردن زیاد با آن نباید باعث سهل انگاری شما و نادیده گرفتن اصول ایمنی شود. بی دقتی ممکن است باعث بروز جراحاتی در عرض کسری از ثانیه شود.

## فارسی

### دستورات ایمنی

#### نکات ایمنی عمومی برای ابزارهای برقی

##### ⚠ هشدار

کلیه هشدارها، دستورالعملها، تصاویر و مشخصات ارائه شده به همراه ابزار برقی را مطالعه کنید. اشتباهات ناشی از عدم رعایت این دستورات ایمنی ممکن است باعث برق گرفتگی، سوختگی و یا سایر جراثم های شدید شود.

کلیه هشدارهای ایمنی و راهنماییها را برای آینده خوب نگهداری کنید. عبارت «ابزار برقی» در هشدارها به ابزارهایی که به پریز برق متصل میشوند (با سیم برق) و یا ابزارهای برقی باتری دار (بدون سیم برق) اشاره دارد.

##### ایمنی محل کار

◀ محیط کار را تمیز و روشن نگه دارید. محیطهای در هم ریخته یا تاریک احتمال بروز حادثه را افزایش میدهند.

◀ ابزار برقی را در محیطهایی که خطر انفجار وجود دارد و حاوی مایعات، گازها و بخارهای متحرکه هستند، به کار نگیرید. ابزارهای برقی چرخههایی ایجاد میکنند که میتوانند باعث آتش گرفتن گرد و غبارهای موجود در هوا شوند.

◀ هنگام کار با ابزار برقی، کودکان و سایر افراد را از دستگاه دور نگه دارید. در صورتیکه حواس شما پرت شود، ممکن است کنترل دستگاه از دست شما خارج شود.

##### ایمنی الکتریکی

◀ دوشاخه ابزار برقی باید با پریز برق تناسب داشته باشد. هیچگونه تغییری در دوشاخه ایجاد نکنید. مبدل دوشاخه نباید همراه با ابزار برقی دارای اتصال زمین استفاده شود. دوشاخههای اصل و تغییر داده نشده و پریزهای مناسب، خطر برق گرفتگی را کاهش میدهند.

◀ از تماس بدنی با قطعات متصل به سیم اتصال زمین مانند لوله، شوفاژ، اجاق برقی و یخچال خودداری کنید. در صورت تماس بدنی با سطوح و قطعات دارای اتصال به زمین و همچنین تماس شما با زمین، خطر برق گرفتگی افزایش می یابد.

◀ ابزارهای برقی را در معرض باران و رطوبت قرار ندهید. نفوذ آب به ابزار برقی، خطر شوک الکتریکی را افزایش میدهد.

◀ از سیم دستگاه برای مقاصد دیگر استفاده نکنید. هرگز برای حمل ابزار برقی، کشیدن آن یا خارج کردن دوشاخه از سیم دستگاه استفاده نکنید. کابل دستگاه را از حرارت، روغن، لیبهای تیز یا قطعات متحرک دور نگه دارید. کابلهای آسیب دیده و یا گره خورده خطر شوک الکتریکی را افزایش میدهند.

◀ هنگام استفاده از ابزار برقی در محیطهای باز، تنها از کابل رابطی استفاده کنید که برای محیط باز نیز مناسب باشد. کابل های رابط

- شوند. ایجاد اتصالی بین دو قطب باتری (ترمینالهای باتری) میتواند باعث سوختگی و ایجاد حریق شود.
  - استفاده بی رویه از باتری میتواند باعث خروج مایعات از آن شود؛ از هر گونه تماس با این مایعات خودداری کنید. در صورت تماس اتفاقی با آن، دست خود و یا محل تماس را با آب بشوئید. در صورت آلوده شدن چشم با این مایع، باید به پزشک مراجعه کنید. مایع خارج شده از باتری میتواند باعث التهاب پوست و سوختگی شود.
  - هرگز از باتری یا ابزار آسیب دیده یا دست کاری شده استفاده نکنید. باتریهای آسیب دیده ممکن است کارکرد غیر منتظرهای داشته باشند و منجر به آتش سوزی، انفجار یا جراحت شوند.
  - باتری یا ابزار را در معرض آتش یا دمای زیاد قرار ندهید. قرار گرفتن در معرض آتش یا دمای بالاتر از 130 درجه سانتیگراد میتواند باعث انفجار شود.
  - همه راهنماییهای مربوط به شارژ را رعایت کنید و باتری یا ابزار را خارج از محدوده دمای تعریف شده در دستورات شارژ نکنید. شارژ کردن نادرست یا در دمای خارج از محدوده تعریف شده ممکن است به باتری صدمه بزند و خطر آتش سوزی را افزایش دهد.
- سرویس**
- برای تعمیر ابزار برقی فقط به متخصصین حرفهای رجوع کنید و از قطعات یدکی اصل استفاده نمایید. این باعث خواهد شد که ایمنی دستگاه شما تضمین گردد.
  - هرگز باتریهای آسیب دیده را تعمیر نکنید. باتری باید تنها توسط متخصصین مجاز شرکت تعمیر شوند.
- نکات ایمنی برای چکش ها**
- دستورالعمل های ایمنی برای انواع عملیات از گوشی ایمنی استفاده کنید. قرار گرفتن در معرض سر و صدا، میتواند به شنوایی آسیب برساند.
  - از دسته کمکی، در صورتی که به همراه ابزار ارائه شده است استفاده کنید. از دست دادن کنترل بروی ابزار میتواند باعث بروز جراحت شود.
  - در صورت انجام کارهایی که امکان برخورد با کابل های حامل جریان برق مخفی وجود دارد، ابزار برقی را از دسته عایق بگیریید. در صورت برخورد با یک کابل حامل "جریان برق" ممکن است قسمتهای فلزی ابزار برقی حامل "جریان برق" شوند و باعث بروز شوک الکتریکی یا برق گرفتگی گردند.
  - دستورالعمل های ایمنی هنگام استفاده از مته های بلند در دریل های بتن کن
  - دریل کاری را همیشه هنگامی که نوک مته با قطعه کار در تماس است و با سرعت پایین آغاز کنید. در سرعت های بالاتر، ممکن است مته

- استفاده صحیح از ابزار برقی و مراقبت از آن
- از وارد کردن فشار زیاد روی دستگاه خودداری کنید. برای هر کاری، از ابزار برقی مناسب با آن استفاده کنید. بکار گرفتن ابزار برقی مناسب باعث میشود که بتوانید از توان دستگاه بهتر و با اطمینان بیشتر استفاده کنید.
- در صورت ایراد در کلید قطع و وصل ابزار برقی، از دستگاه استفاده نکنید. ابزار برقی که نمی توان آنها را قطع و وصل کرد، خطرناک بوده و باید تعمیر شوند.
- قبل از تنظیم ابزار برقی، تعویض متعلقات و یا کنار گذاشتن آن، دوشاخه را از برق بکشید و یا باتری آنرا خارج کنید. رعایت این اقدامات پیشگیری ایمنی از راه افتادن ناخواسته ابزار برقی جلوگیری می کند.
- ابزار برقی را در صورت عدم استفاده، از دسترس کودکان دور نگه دارید و اجازه ندهید که افراد ناوارد و یا اشخاصی که این دفترچه راهنما را نخوانده اند، با این دستگاه کار کنند. قرار گرفتن ابزار برقی در دست افراد ناوارد و بی تجربه خطرناک است.
- از ابزار برقی و متعلقات خوب مراقبت کنید. مواظب باشید که قسمت های متحرک دستگاه خوب کار کرده و گیر نکنند. همچنین دقت کنید که قطعات ابزار برقی شکسته و یا آسیب دیده نباشند. قطعات آسیب دیده را قبل از شروع به کار تعمیر کنید. علت بسیاری از سوانح کاری، عدم مراقبت کامل از ابزارهای برقی می باشد.
- ابزار برش را تیز و تمیز نگه دارید. ابزار برشی که خوب مراقبت شده و از لبه های تیز برخوردار است، کمتر در قطعه کار گیر کرده و بهتر قابل هدایت است.
- ابزار برقی، متعلقات، متهای دستگاه و غیره را مطابق دستورات این جزوه راهنما به کار گیرید و به شرایط کاری و نوع کار نیز توجه داشته باشید. استفاده از ابزار برقی برای عملیاتی به جز مقاصد در نظر گرفته شده، میتواند به بروز شرایط خطرناک منجر شود.
- دستها و سطوح عایق را همواره خشک، تمیز و عاری از روغن و گریس نگه دارید. دسته های لغزنده مانع ایمنی و کنترل در کار در شرایط غیر منتظره هستند.
- مراقبت و طرز استفاده از ابزارهای شارژی
- باتریها را منحصراً توسط شارژرهایی که توسط سازنده توصیه شده اند، شارژ کنید. در صورتی که برای شارژ باتری، آنرا در شارژری قرار دهید که برای آن باتری ساخته نشده است، خطر آتش سوزی وجود دارد.
- در ابزارهای برقی فقط از باتریهایی استفاده کنید که برای آن نوع ابزار برقی در نظر گرفته شده اند. استفاده از باتریهای متفرقه میتواند منجر به بروز جراحت و حریق گردد.
- در صورت عدم استفاده از باتری باید آنرا از گیره های فلزی، سکه، کلید، میخ، پیچ و دیگر وسائل کوچک فلزی دور نگه دارید، زیرا این وسائل ممکن است باعث ایجاد اتصالی

- مطمئن نگه دارید. در غیر اینصورت امکان از دست دادن کنترل روی ابزار برقی وجود دارد.
- ▶ **هنگام عملیات تخریب با قلم با احتیاط عمل کنید.** افتادن قطعات ناشی از مواد تخریب، می توانند به اطرافیان یا خود شما آسیب برسانند.
- ▶ **ابزار برقی را هنگام کار با دو دست محکم بگیرید و وضعیت خود را ثابت و مطمئن کنید.** ابزار برقی با دو دست مطمئن تر هدایت می شود.



**هشدار**  
مطمئن شوید که باتری دکمه ای در دسترس کودکان قرار نگیرد. باتری های دکمه ای خطرناک هستند.

- ▶ **باتری های دکمه ای را هرگز نباید بلعید یا در جاهای دیگر بدن وارد کرد.** چنانچه متوجه شدید که باتری دکمه ای بلعیده شده یا به نحوی وارد جای دیگر بدن شده است، فوراً به پزشک مراجعه کنید. بلعیدن باتری دکمه ای ممکن است در طول 2 ساعت منجر به سوختگی داخلی و مرگ گردد.

▶ **هنگام تعویض باتری دکمه ای به رعایت مقررات مربوط به تعویض باتری ها توجه کنید.** خطر انفجار وجود دارد.

- ▶ **تنها از باتری های ساعتی ذکر شده در دفترچه راهنما استفاده کنید.** از باتری های ساعتی دیگر یا از منبع تأمین انرژی دیگری استفاده نکنید.

- ▶ **سعی نکنید باتری های ساعتی را شارژ کنید و باعث اتصال آنها نشوید.** باتری های ساعتی ممکن است نشت کنند، منفجر شوند، آتش بگیرند و افراد را زخمی کنند.

- ▶ **باتری های ساعتی خالی را مطابق مقررات جدا و دفع کنید.** باتری های ساعتی خالی ممکن است نشت کنند و اینگونه به محصول آسیب برسانند یا افراد را زخمی کنند.

- ▶ **باتری ساعتی را داغ نکنید و در آتش نیندازید.** باتری های ساعتی ممکن است نشت کنند، منفجر شوند، آتش بگیرند و افراد را زخمی کنند.

- ▶ **باتری های ساعتی را خراب و یا از هم باز نکنید.** باتری های ساعتی ممکن است نشت کنند، منفجر شوند، آتش بگیرند و افراد را زخمی کنند.

- ▶ **باتری های ساعتی آسیب دیده را با آب تماس ندهید.** لیتیوم خارج شده ممکن در آب هیدروژن تولید کند و اینگونه منجر به بروز آتشسوزی، انفجار یا زخمی شدن افراد گردد.

- ▶ **احتیاط! هنگام استفاده از ابزار اندازه گیری با Bluetooth<sup>®</sup> ممکن است دستگاهها، سیستمها، هواپیماها و ابزارهای پزشکی (باتری قلب، سمعک) دچار اختلال شوند.** همچنین ممکن است افراد یا حیوانات کاملاً نزدیک به ابزار آسیب ببینند. ابزار برقی با Bluetooth<sup>®</sup> را در نزدیکی دستگاههای پزشکی، پمپ بنزین،

- هنگام چرخش در حالت آزاد و بدون تماس با قطعه کار کج شود و باعث وارد آمدن جراثیم گردد.
- ▶ **روی مته فقط بطور مستقیم فشار وارد کنید و از اعمال فشار بیش از حد خودداری نمایید.** مته ها ممکن است خمیده و باعث اختلال یا از دست رفتن کنترل شوند و منجر به جراثیم کاربر گردند.

**سایر نکات ایمنی**

- ▶ **برای پیدا کردن لوله ها و سیم های پنهان موجود در ساختمان و محدوده کار، از یک دستگاه ردیاب مخصوص برای یافتن لوله ها و سیمهای تأسیسات استفاده کنید و یا با شرکت های کارهای تأسیسات ساختمان و خدمات مربوطه تماس بگیرید.** تماس با کابل و سیمهای برق ممکن است باعث آتشسوزی و یا برق گرفتگی شود. ایراد و آسیب دیدگی لوله گاز میتواند باعث انفجار شود. سوراخ شدن لوله آب باعث ایجاد خسارت میشود.

- ▶ **قبل از کنار گذاشتن ابزار برقی صبر کنید تا دستگاه بطور کامل از کار و حرکت بایستد.** ابزار ممکن است به قطعه کار گیر کرده و کنترل ابزار برقی از دست شما خارج شود.

- ▶ **قطعه کار را محکم کنید.** در صورتیکه قطعه کار به وسیله تجهیزات نگهدارنده و یا بوسیله گیره محکم شده باشد، قطعه کار مطمئن تر نگه داشته میشود، تا اینکه بوسیله دست نگهداشته شود.

- ▶ **در صورتیکه باتری آسیب دیده باشد و یا از آن بطور بی رویه استفاده شود، ممکن است از باتری بخارهایی بلند شود. باتری ممکن است آتش بگیرد یا منفجر شود.** در این حالت هوای محیط را تازه کنید؛ اگر احساس ناراحتی کردید، به پزشک مراجعه نمایید. استنشاق این بخارها ممکن است به مجاری تنفسی شما آسیب برساند.

- ▶ **باتری را باز نکنید.** خطر اتصال کوتاه وجود دارد.

- ▶ **بوسیله ی اشیاء تیز مانند میخ یا پیچگوشتی یا تأثیر نیروی خارجی ممکن است باتری آسیب ببیند.** ممکن است اتصال داخلی رخ دهد و باتری آتش گیرد، دود کند، منفجر شود یا بیش از حد داغ گردد.

- ▶ **تنها از باتری برای محصولات تولیدی شرکت استفاده کنید.** فقط در اینصورت باتری در برابر خطر اعمال فشار بیش از حد محافظت میشود.

- ▶ **باتری را در برابر حرارت، از جمله در برابر تابش مداوم خورشید و همچنین در برابر آتش، آلودگی، آب و رطوبت محفوظ بدارید.** خطر اتصال و انفجار وجود دارد.

- ▶ **بلافاصله پس از کار، به هیچ وجه به ابزارهای مورد استفاده یا قطعات مجاور بدنه دست نزنید.** این موارد می توانند در حین کار خیلی داغ شده و باعث سوختگی گردند.

- ▶ **ابزار مورد استفاده هنگام سوراخ کاری ممکن است گیر کند. مطمئن شوید که محکم ایستاده اید و ابزار برقی را با هر دو دست**



## اجزاء دستگاه

شماره های اجزاء دستگاه که در تصویر مشاهده میشود، مربوط به شرح ابزار برقی می باشد که تصویر آن در این دفترچه آمده است.

- (1) سه نظام SDS plus
  - (2) ابزارگیر SDS plus
  - (3) کلاهک محافظت در برابر گرد و غبار
  - (4) بوش قفل کننده
  - (5) دکمه تنظیم کننده عمق سوراخ
  - (6) دکمه آزاد کننده قفل برای کلید توقف ضربه/چرخش
  - (7) کلید توقف ضربه/چرخش
  - (8) کلید تغییر جهت چرخش
  - (9) کلید روشن/خاموش
  - (10) دسته (دارای روکش عایق)
  - (11) باتری قابل شارژ<sup>(a)</sup>
  - (12) چراغ کار
  - (13) دسته کمکی (دارای روکش عایق)
  - (14) خط کش تعیین عمق سوراخ
  - (15) User Interface (رابط کاربری)
  - (16) دکمه آزادسازی باتری قابل شارژ<sup>(a)</sup>
  - (17) نشانگر وضعیت ابزار برقی (User Interface)
  - (18) نشانگر وضعیت شارژ باتری (User Interface)
  - (19) نشانگر قطع سریع (User Interface)
  - (20) دکمه انتخاب حالت کار (User Interface)
  - (21) نشانگر گوشی هوشمند (User Interface)
  - (22) نشانگر حالت های کار (User Interface)
  - (23) نشانگر دما (User Interface)
  - (24) نگره دارنده عمومی با شفت گیرنده SDS plus<sup>(a)</sup>
- (a) کلیه متعلقاتی که در تصویر و یا در متن آمده است، بطور معمول همراه دستگاه ارائه نمی شود. لطفاً لیست کامل متعلقات را از فهرست برنامه متعلقات اقتباس نمایند.

## مشخصات فنی

GBH 187-LI		دریل چکشی شارژی
3 611 J23 0..		شماره فنی
18	V=	ولتاژ نامی
		سرعت نامی
980-0	min <sup>-1</sup>	- راست گرد
980-0	min <sup>-1</sup>	- چپ گرد
0-4*350	min <sup>-1</sup>	تعداد ضربه <sup>(a)</sup>
2,4	J	قدرت هر ضربه مطابق استاندارد EPTA-Procedure 05:2016
SDS plus		ابزارگیر

سیستمهای شیمیایی و مناطق دارای خطر انفجار بکار نبرید. از ابزار برقی به همراه *Bluetooth* در هواپیما استفاده نکنید. از کاربرد دستگاه به مدت طولانی در نزدیکی مستقیم بدن خودداری کنید.

علامت نامی *Bluetooth*® همانند علامت های تصویری (لوگوها)، نشانهای ثبت شده و متعلق به *Bluetooth SIG, Inc* می باشند. هر گونه استفاده از این علائم نامی/نشانها، توسط شرکت *Robert Bosch Power Tools GmbH* تحت لیسانس انجام میشوند.

## علامت ها

علائم و نماد های زیر و معانی آنها میتوانند برای کار و استفاده از ابزار برقی شما پر اهمیت باشند. لطفاً این علائم و مفهوم آنها را خوب بخاطر بسپارید. تفسیر صحیح این علائم به شما کمک میکند که ابزار برقی را بهتر و مطمئن تر مورد استفاده قرار بدهید.

### علائم و مفهوم آنها

ثبت اطلاعات در این ابزار برقی فعال است.



ابزار برقی شبکه ای با فناوری *Bluetooth*® یکپارچه



## توضیحات محصول و کارکرد

همه دستورات ایمنی و راهنماییها را بخوانید. اشتباهات ناشی از عدم رعایت این دستورات ایمنی ممکن است باعث برقگرفتگی، سوختگی و یا سایر جراحات های شدید شود.



به تصویرهای واقع در بخشهای اول دفترچه راهنما توجه کنید.

## موارد استفاده از دستگاه

ابزار برقی برای سوراخکاری چکشی روی بتن، آجر، سنگ و نیز جهت قلم کاربهای (قلم زنی) سبک در نظر گرفته شده است. علاوه بر این برای سوراخکاری بدون ضربه روی چوب، فلز، سرامیک، پلاستیک مناسب است. ابزارهای برقی با کنترل الکترونیکی و قابلیت چرخش راست گرد و چپ گرد برای پیچکاری نیز مناسب هستند.

اطلاعات و تنظیمات ابزار برقی از طریق ماژول *Bluetooth*® Low Energy تعبیه شده، با استفاده از فناوری رادیویی *Bluetooth*® بین ابزار برقی و دستگاه همراه نهایی منتقل می شوند.

## شارژ کردن باتری قابل شارژ

◀ تنها شارژرهای ذکر شده در مشخصات فنی را بکار برید. تنها این دستگاه های شارژ با باتری های لیتیوم-یونی (Li-Ion) ابزار برقی شما منطبق میباشند.

**نکته:** باتری های قابل شارژ لیتیوم یونی به دلیل قوانین حمل و نقل بین المللی به صورت نیمه شارژ تحویل داده می شوند. برای دست یافتن به توان کامل باتری قابل شارژ، قبل از به کارگیری آن برای اولین بار، باتری را به طور کامل شارژ کنید.

## نحوه قرار دادن باتری قابل شارژ

باتری شارژ شده را به داخل محفظه باتری قابل شارژ برانید تا جا بیفتد.

## نحوه برداشتن باتری قابل شارژ

برای برداشتن باتری قابل شارژ، دکمه های آزادسازی باتری را فشار دهید و آن را خارج کنید. **هنگام انجام این کار از اعمال فشار خودداری کنید.** باتری قابل شارژ دارای 2 مرحله قفل می باشد که مانع از بیرون افتادن باتری قابل شارژ در اثر فشار ناخواسته روی دکمه آزادسازی باتری می شود. تا زمانی که باتری قابل شارژ داخل ابزار برقی قرار داشته باشد، توسط یک فنر در موقعیت خود نگه داشته می شود.

## نشانهگر وضعیت شارژ باتری

چراغهای سبز LED نشانگر وضعیت شارژ باتری، وضعیت شارژ باتری را نشان میدهند. به دلایل ایمنی، فراخوانی وضعیت شارژ باتری تنها در حالت توقف ابزار برقی ممکن است.

دکمه را جهت پدیدار شدن نشانگر وضعیت شارژ ⑥ یا ⑦ وضعیت شارژ فشار دهید. این کار هنگامی که باتری برداشته شده باشد نیز ممکن است. چنانچه پس از فشردن دکمه نشانگر وضعیت شارژ هیچ LED روشن نشود، باتری خراب است و باید تعویض گردد.

وضعیت شارژ باتری روی User Interface (رابط کاربری) نیز نمایش داده می شود نمایشگرهای وضعیت.

## نوع باتری GBA 18V...



LED	ظرفیت
3 عدد چراغ سبز ممتد	60-100 %
2 عدد چراغ سبز ممتد	30-60 %
1 عدد چراغ سبز ممتد	5-30 %
1 عدد چراغ سبز چشمک زن	0-5 %

## دریل چکشی شارژی GBH 187-LI

حداکثر قطر سوراخ کاری	
24	mm
13	mm
30	mm
4,3-3,4	kg
وزن مطابق استاندارد EPTA-Procedure (01:2014) <sup>C</sup>	
0 ... +35	°C
دمای توصیه شده محیط هنگام شارژ	
-20 ... +50	°C
دمای مجاز محیط هنگام کار <sup>D</sup> و هنگام انبار کردن	
باتری های قابل شارژ توصیه شده	
GBA 18V... (≥4.0 Ah) ProCORE18V 8.0Ah/12.0Ah	
شارژرهای توصیه شده	
GAL 18... GAX 18... GAL 36...	

## انتقال اطلاعات

Bluetooth <sup>®</sup> 4.2 (Low Energy) <sup>E</sup>	
حداکثر دامنه سیگنال	
30	m
دامنه فرکانس استفاده شده	
2'400-2'483,5	MHz
توان خروجی	
1	mW
منبع تأمین انرژی ماژول Bluetooth <sup>®</sup> Low Energy	

باتری دکمه ای	
باتری لیتیوم 3-V CR 2'450	
5	سال
طول عمر باتری دکمه ای حدود	

(A) اندازه گیری شده در دمای °C 20-25 با باتری قابل شارژ **ProCORE18V 12.0Ah**.

- (B) توان بهینه متناسب با قطر سوراخکاری 6-14 mm
- (C) بسته به نوع باتری کاربردی
- (D) توان محدود برای دمای °C <0

(E) دستگاههای همرا با سستی با دستگاههای - Bluetooth (Low-Energy (Version 4.2) متناسب باشند و Generic Access Profile (GAP) را تمت پوشش قرار دهند.

(F) میدان دریافت ممکن است بر حسب شرایط خارجی، به انضمام دستگاه دریافت کننده به شدت تغییر کند. در مکانهای بسته و توسط موانع فلزی (مانند دیوارها، قفسه ها، چمدان ها و غیره) ممکن است میدان دریافت Bluetooth<sup>®</sup> بسیار کمتر باشد.

## باتری قابل شارژ

**Bosch** ابزارهای برقی شارژی را هم بدون باتری قابل شارژ می فروشد. در بسته بندی می توانید دریابید که آیا باتری قابل شارژ در محتویات ارسالی ابزار برقی شما وجود دارد یا خیر.



## نوع باتری ProCORE18V...



ظرفیت	LED
5 عدد چراغ سبز ممتد	80-100 %
4 عدد چراغ سبز ممتد	60-80 %
3 عدد چراغ سبز ممتد	40-60 %
2 عدد چراغ سبز ممتد	20-40 %
1 عدد چراغ سبز ممتد	5-20 %
1 عدد چراغ سبز چشمک زن	0-5 %

## تعویض ابزار

درپوش حفاظتی گرد و غبار (3) از نفوذ گرد و غبار مته کاری در گیرنده ابزار در حین کار به طور عمده جلوگیری می کند. هنگام قرار دادن ابزار دقت کنید که درپوش حفاظتی گرد و غبار (3) آسیب نبیند.

◀ **کلاهک محافظت در برابر گرد و غبار را در صورت آسیب دیدن فوراً عوض کنید. توصیه میشود اینکار را توسط تعمیرگاه مجاز (خدمات پس از فروش) انجام دهید.**

## تعویض ابزار (SDS-plus)

**قرار دادن ابزار SDS-plus (رجوع کنید به تصویر B1)**

توسط سه نظام SDS-plus می توان ابزار را آسان و راحت بدون استفاده از سایر ابزارآلات عوض کرد.

- انتهای ابزار مورد استفاده را برای جاگذاری آن تمیز کرده و آن را کمی چرب کنید.

- ابزار مورد استفاده را با چرخش در داخل ابزارگیر قرار دهید، تا خود به خود در دستگاه قفل شود.

- با کشیدن ابزار، قفل شدن آن را امتحان کنید.

ابزار SDS-plus به دلایل سیستمی آزادانه قابل حرکت است. به این ترتیب در حالت بدون بار (در حالت آزاد)، یک گردش دورانی نامنظم انجام میگیرد. این مسئله هیچگونه تأثیری بر روی دقت سوراخ کاری و سوراخ مته ندارد، زیرا مته در هنگام سوراخ کردن بطور اتوماتیک در مرکز سوراخ قرار میگیرد.

**نحوه برداشتن ابزار SDS-plus (رجوع کنید به تصویر B2)**

- آداپتور قفل (4) را به عقب برانید و ابزار را چرخان از ابزارگیر بردارید.

## مکش گرد، براده و تراشه

گرد و غبار موادی مانند رنگ های دارای سرب، بعضی از چوب ها، مواد معدنی و فلزات میتوانند برای سلامتی مضر باشند. دست زدن و یا تنفس کردن گرد و غبار ممکن است باعث بروز آلرژی و یا بیماری مجاری تنفسی شخص استفاده کننده و یا افرادی که در آن نزدیکی میباشند، بشود.

گرد و غبارهای مخصوصی مانند گرد و غبار درخت بلوط و یا درخت راش سرطان زا هستند، بخصوص ترکیب آنها با سایر موادی که برای کار بر روی چوب (کرومات، مواد برای محافظت از چوب) بکار برده میشوند. فقط افراد متخصص مجازند با موادی که دارای آزیست میباشند کار کنند.

- توجه داشته باشید که محل کار شما از تهویه هوای کافی برخوردار باشد.

- توصیه میشود از ماسک تنفسی ایمنی با درجه فیلتر P2 استفاده کنید.

به قوانین و مقررات معتبر در کشور خود در رابطه با استفاده از مواد و قطعات کاری توجه کنید.

◀ **از تجمع گرد و غبار در محل کار جلوگیری کنید.** گرد و غبار می توانند به آسانی مشتعل شوند.

## توضیحات و تذکراتی برای نحوه بهینه کار با باتری

باتری را در برابر رطوبت و آب حفظ کنید.

باتری را منحصراً در دمای بین -20 تا 50 درجه نگهداری کنید. بطور مثال باتری را در تابستان داخل اتومبیل نگذارید.

گاشهگاه شیارهای تهویه باتری را بوسیله یک قلم موی یا برس کوچک نرم و خشک تمیز کنید.

افت قابل توجه مدت زمان کارکرد باتری که تازه شارژ شده است، نمایانگر آن است که باتری فرسوده و مستعمل شده و باید تعویض شود.

به نکات مربوط به نحوه از رده خارج کردن باتری توجه کنید.

## نصب

◀ **قبل از انجام هر گونه کاری با ابزار برقی (از جمله سرویس، تعویض ابزار و غیره) و همچنین به هنگام حمل و نقل و یا در انبار نگهداری کردن، باتری را از داخل ابزار برقی خارج کنید.** در صورت تماس اتفاقی با کلید قطع و وصل، خطر آسیب دیدگی وجود دارد.

## دسته کمکی

◀ **از ابزار برقی تنها با دسته کمکی (13) استفاده کنید.**

◀ **دقت کنید که دسته کمکی همیشه محکم شده باشد.** در غیر اینصورت امکان از دست دادن کنترل روی ابزار برقی در حین کار وجود دارد.

**تعویض حالت دسته کمکی (رجوع کنید به تصویر A)**

دسته کمکی (13) را می توان به دلخواه جهت بدست آمدن حالت کاری مطمئن و راحت چرخاند.

- قسمت پایینی دسته کمکی (13) را در خلاف جهت چرخش عقربههای ساعت بچرخانید و دسته کمکی (13) را به حالت دلخواه برانید. سپس قسمت پایینی دسته کمکی (13) را در جهت چرخش عقربههای ساعت محکم کنید.

توجه داشته باشید که تسمه مهار دسته کمکی در شیار موجود در بدنه دستگاه که برای آن در نظر گرفته شده است، قرار بگیرد.

## کار با دستگاه

### راه اندازی

#### نحوه تنظیم نوع عملکرد

با کلید توقف ضربه/چرخش (7) نوع عملکرد ابزار برقی را انتخاب کنید.

جهت تعویض نوع عملکرد، دکمه آزاد کننده قفل (6) را فشار دهید و کلید توقف ضربه/چرخش (7) را به موقعیت دلخواه برانید تا به طور محسوس جا بیفتد.

**نکته:** نوع عملکرد را تنها با ابزار برقی خاموش تغییر دهید! در غیر اینصورت امکان آسیب دیدن ابزار برقی وجود دارد.

موقعیت **سوراخ کاری چکشی** در بتن یا سنگ



موقعیت **سوراخ کاری** بدون ضربه در چوب، فلز، سرامیک، پلاستیک و همچنین برای **پیچ کاری**



موقعیت **Vario-Lock** برای تغییر موقعیت قلم

کلید توقف ضربه/چرخش (7) در این موقعیت جا نمی افتد.



موقعیت **قلم زنی**



#### تنظیم جهت چرخش (رجوع کنید به تصویر C)

با کلید تغییر جهت چرخش (8) میتوانید جهت چرخش ابزار برقی را تغییر دهید. هنگامی که کلید روشن/خاموش (9) فشرده شده است، این امر ممکن نیست.

#### کلید تغییر جهت چرخش (8) را هنگام متوقف بودن دستگاه فعال کنید.

جهت چرخش را برای سوراخکاری چکشی، سوراخکاری و قلم زنی همیشه بطور راست گرد تنظیم کنید.

**راست گرد:** برای سوراخکاری و پیچکاری، کلید تغییر جهت چرخش (8) را تا انتها به چپ فشار دهید.

### نمایشگرهای وضعیت

راه حل	معنی/دلیل	نشانهگر وضعیت شارژ باتری (User Interface) (18)
-	باتری شارژ شده است	سبز (2 تا 5 خط)
باتری را زود تعویض یا شارژ کنید	باتری تقریباً خالی است	زرد (1 خط)
باتری را تعویض یا شارژ کنید	باتری خالی است	قرمز (1 خط)
راه حل	معنی/دلیل	نشانهگر دما (23)
اجازه دهید ابزار برقی خنک شود یا باتری قابل شارژ بیش از حد گرم شده را تعویض کنید	دمای کار باتری قابل شارژ یا ابزار برقی به میزان قابل توجهی افزایش یافته است، توان کاهش می یابد	زرد

**چپ گرد:** برای شل کردن یا باز کردن پیچ ها و مهره ها، کلید تغییر جهت چرخش (8) را تا انتها به راست فشار دهید.

#### نحوه روشن و خاموش کردن

جهت **روشن کردن** ابزار برقی، کلید روشن/خاموش (9) را فشار دهید.

چراغ کار (12) هنگامی که کلید روشن/خاموش (9) نیمه فشرده یا در حالت فشرده گی کامل باشد، روشن میشود و در شرایط نامناسب نور، امکان روشن کردن محیط کار را فراهم میکند.

برای **خاموش کردن** ابزار برقی، کلید روشن/خاموش (9) را رها کنید.

ابزار برقی در دمای پایین بعد از مدتی توان کامل برای چکشکاری و ایجاد ضربه را به دست می آورد.

#### تنظیم تعداد چرخش/ضربه

همیشه میتوان تعداد چرخش/ضربه ابزار برقی روشن را با توجه به اینکه کلید روشن/خاموش (9) را تا کجا فشار میدهند، تنظیم کرد.

فشار کم روی کلید روشن/خاموش (9) باعث کاهش تعداد چرخش/ضربه میشود. افزایش فشار باعث افزایش تعداد چرخش/ضربه میشود.

همچنین می توانید سرعت را در رابط کاربری یا هر اپلیکیشن گوشی هوشمند تنظیم کنید.

#### تغییر حالت قلم (Vario-Lock)

شما می توانید قلم را در حالت ها قفل کنید. به این ترتیب می توانید هر موقعیت کار بپهنه ای را انتخاب کنید.

قلم را درون ابزارگیر قرار دهید.

کلید توقف ضربه/چرخش (7) را به موقعیت "Vario-Lock" بچرخانید.

ابزار مورد استفاده را به وضعیت دلخواه قلم زنی بچرخانید.

کلید توقف ضربه/چرخش (7) را به موقعیت "قلم زنی" بچرخانید. ابزارگیر بدینوسیله قفل می شود.

برای قلم زنی، جهت چرخش را روی حالت راست گرد قرار دهید.

#### User Interface (رجوع کنید به تصویر D)

رابط کاربری (15) برای انتخاب حالت کار و همچنین برای نشانگر وضعیت ابزار برقی استفاده می شود.

نشانهگر دما (23)	معنی/دلیل	راه حل
قرمز	دمای کار باتری قابل شارژ یا ابزار برقی از حد مجاز فراتر رفته است، ابزار برقی جهت محافظت خاموش می شود	اجازه دهید ابزار برقی خنک شود یا باتری قابل شارژ بیش از حد گرم شده را تعویض کنید

نشانهگر وضعیت ابزار برقی (17)	معنی/دلیل	راه حل
-------------------------------	-----------	--------

سبز	وضعیت OK	-
زرد	دما به وضعیت هشدار دهنده رسیده یا باتری قابل شارژ تقریباً خالی است	بگذارید ابزار برقی خنک شود یا باتری قابل شارژ را تعویض یا شارژ کنید
قرمز	ابزار برقی بیش از حد داغ شده یا باتری قابل شارژ خالی است	بگذارید ابزار برقی خنک شود یا باتری قابل شارژ را تعویض یا شارژ کنید
قرمز	کلید توقف ضربه/ چرخش هنگام کار فعال می شود	ابزار برقی را خاموش و دوباره روشن کنید
	موتور بلوکه شده است، باتری قابل شارژ بسیار ضعیف است	باتری را شارژ کنید یا از نوع توصیه شده باتری قابل شارژ استفاده نمایید
	خطای عمومی	- ابزار برقی را خاموش و دوباره روشن کنید یا باتری قابل شارژ را خارج کرده و دوباره جاگذاری نمایید اگر خطا همچنان به قوت خود باقی است:
		- ابزار برقی را به مرکز خدمات مشتریان ارسال نمایید
چراغ چشمک زن قرمز - به همراه نشانهگر قطع سریع (19)	قطع سریع فعال شده است	ابزار برقی را خاموش و دوباره روشن کنید
چراغ چشمک زن آبی	ابزار برقی از طریق Bluetooth* به دستگاه همراه نهایی متصل شده است یا تنظیمات انتقال داده می شوند	-

نشانهگر وضعیت گوشی هوشمند (21)	معنی/دلیل	راه حل
--------------------------------	-----------	--------

سفید	اطلاعات مهم در دسترس است (برای مثال نمایشگر هشدار دما)	پیام ظاهر شده روی گوشی هوشمند را بخوانید
------	--	--

**نکته:** در حالت کار **Favorite**، عملکردها از طریق اپلیکیشن گوشی هوشمند پیکربندی می شوند، عملکردها در حالت کار **Auto** از پیش تنظیم شده اند.

**انتخاب حالت کار**  
دکمه (20) را برای انتخاب حالت کار چند بار فشار دهید تا زمانی که حالت کار مورد نظر شما روشن شود.

نشانهگر حالت کار (22)	عملکردها
-----------------------	----------

<b>Auto</b> روشن است	در حالت کار <b>Auto</b> ، ابزار برقی به حداکثر توان می رسد. - 100% حداکثر سرعت - قطع سریع (Kickback Control)
<b>Favorite</b> روشن است	در حالت کار <b>Favorite</b> ، می توان ابزار برقی را از طریق اپلیکیشن گوشی هوشمند به طور فردی پیکربندی کرد. - سرعت برای کاربردهای مختلف در چند سطح قابل تنظیم است: سرعت کم/متوسط/زیاد (100% حداکثر سرعت)

## نکات کار

## قرار دادن سر پیچگوشتی (رجوع کنید به تصویر F)

ابزار برقی را تنها در حالت خاموش روی پیچ و یا مهره قرار دهید. امکان لغزش ابزار در حال چرخش وجود دارد.

برای کاربری سر پیچگوشتی به یک نگهدارنده اونیورسال (24) با شفت SDS-plus (متعلقات) نیاز دارید.

- شفت آداپتور را تمیز و قسمت انتهایی آنرا کمی چرب کنید.
- نگهدارنده اونیورسال (رابط سر پیچگوشتی) را در حالت چرخان داخل ابزارگیر قرار دهید تا زمانیکه بطور اتوماتیک قفل شود.
- با کشیدن رابط سر پیچگوشتی، قفل بودن آنرا امتحان کنید.
- یک سر پیچگوشتی را داخل رابط سر پیچگوشتی (نگهدارنده اونیورسال) قرار دهید. منحصراً از سر پیچگوشتی های متناسب با سربکس استفاده کنید.
- برای درآوردن نگهدارنده اونیورسال، بوش قفل کننده (4) را به عقب برانید و نگهدارنده اونیورسال (24) را از ابزارگیر بیرون آورید.

ابزار برقی با ماژول تعبیه شده *Bluetooth* Low Energy مجهز به رابط کاربری رادیویی است. به محدودیت های عملکرد محلی مانند استفاده در هواپیماها یا بیمارستان ها توجه کنید.

در مناطقی که استفاده از فناوری رادیویی *Bluetooth* مجاز نیست، باید ماژول *Bluetooth* Low Energy را از طریق اپلیکیشن خاموش کنید.

نحوه تنظیم عمق سوراخ (رجوع کنید به تصویر E) با نگهدارنده عمق (14) می توان عمق سوراخکاری دلخواه X را تثبیت کرد.

- دکمه برای تنظیم نگهدارنده عمق (5) را فشار دهید و آن را در دسته کمکی (13) بگذارید. برآمدگی نگهدارنده عمق (14) بایستی به طرف پایین باشد.
- ابزار SDS-plus را تا در ابزارگیر (2) SDS-plus قرار دهید. حرکت آزاد ابزار SDS-plus ممکن است به تنظیم اشتباه عمق سوراخکاری منجر شود.
- نگهدارنده عمق را آندفر بیرون بکشید تا فاصله بین نوک مته و نوک نگهدارنده عمق با عمق مته دلخواه X مطابق باشد.

## کلاج ایمنی

هنگامی که مته یا ابزار دریل گیر کند، نیروی محرکه محور (شفت) مته قطع می شود. بدلیل نیروهایی که در اینصورت ایجاد می شوند، ابزار برقی را همیشه با هر دو دست محکم نگهدارید و وضعیت ایستادن شما هم باید ثابت و مستقر باشد.

در صورتیکه ابزار برقی بلوکه شود یا گیر کند، ابزار برقی را خاموش کرده و ابزار را از روی دستگاه بردارید. روشن کردن ابزار برقی در حالیکه ابزار مته گیر کرده باشد، باعث ایجاد ارتعاش و عکس العمل های شدید گشتاور می شود.

## قطع سریع (KickBack Control)

قطع سریع (KickBack Control) کنترل بهتری را روی ابزار برقی فراهم می کند و اینگونه حفاظت کاربر را نسبت به ابزارهای برقی بدون KickBack Control تأمین می کند. هنگام چرخش ناگهانی و غیر قابل پیش بینی ابزار برقی حول محور مته، ابزار برقی خاموش می شود، نشانگر قطع سریع (19) روشن شده و چراغ/نور کار (12) چشمک می زند. در صورت فعال بودن قطع سریع، نشانگر وضعیت (17) به رنگ قرمز چشمک میزند.



جهت راه اندازی دوباره کلید روشن/خاموش (9) را رها کنید و آن را دوباره فشار دهید.

## عملکرد های ارتباطی

### شرایط سیستم برای استفاده از اپلیکیشن

#### شرایط سیستم

دستگاه همراه	Android 5.1 (و بالاتر)
تهایی (تبلت، گوشی هوشمند)	iOS 10 (و بالاتر)

### نصب و تنظیم برنامه

برای اینکه بتوانید از عملکردهای اتصال (Connectivity) استفاده کنید، ابتدا باید اپلیکیشن - مخصوص دستگاه تهایی - را نصب کنید.

این اپلیکیشن را از اپ استور مورد نظر (Apple App Store, Google Play Store) دانلود کنید. نکته: یک حساب کاربری در اپ استور مربوطه مورد نیاز است.

Android

iOS

نام اپلیکیشن



Bosch Toolbox

نام اپلیکیشن



Bosch BeConnected

چنانچه باتری دکمه ای خیلی ضعیف یا خالی شود، از طریق **Bosch Toolbox** به شما اطلاع داده می شود. تعویض باتری دکمه ای باید توسط بوش یا یکی از مراکز خدمات مجاز مشتریان ابزارهای برقی بوش انجام شود.

◀ **توجه: همیشه باتری دکمه ای را با همان نوع باتری تعویض کنید.** خطر انفجار وجود دارد.

◀ **باتری های ساعتی خالی را مطابق مقررات جدا و دفع کنید.** باتری های ساعتی خالی ممکن است نشت کنند و اینگونه به محصول آسیب برسانند یا افراد را زخمی کنند.

### خدمات و مشاوره با مشتریان

خدمات مشتری، به سؤالات شما درباره تعمیرات، سرویس و همچنین قطعات یدکی پاسخ خواهد داد. نقشه های سه بعدی و اطلاعات مربوط به قطعات یدکی را در تارنمای زیر میابید:

[www.bosch-pt.com](http://www.bosch-pt.com)

گروه مشاوره به مشتریان Bosch با کمال میل به سؤالات شما درباره محصولات و متعلقات پاسخ می دهند.

برای هرگونه سؤال و یا سفارش قطعات یدکی، حتماً شماره فنی 10 رقمی کالا را مطابق برچسب روی ابزار برقی اطلاع دهید.

### ایران

روبرت بوش ایران - شرکت بوش تجارت پارس  
میدان ونک، خیابان شهید خدای، خیابان آفتاب  
ساختمان مادران، شماره 3، طبقه سوم.  
تهران 1994834571  
تلفن: 42039000 +9821

آدرس سایر دفاتر خدماتی را در ادامه بیابید:  
[www.bosch-pt.com/serviceaddresses](http://www.bosch-pt.com/serviceaddresses)

### حمل دستگاه

باتری های لیتیوم یونی توصیه شده، مشمول الزامات قانون کالاهای خطرناک هستند. کاربر می تواند باتری ها را بدون استفاده از روکش در خیابان حمل کند.

در صورت ارسال توسط شخص ثالث (مانند: حمل و نقل هوایی یا زمینی) باید تمهیدات مربوط به بسته بندی و علامتگذاری مورد توجه قرار گیرد. در اینصورت باید حتما جهت آماده سازی قطعه ارسالی به کارشناس حمل کالاهای پر خطر مراجعه کرد. باتریها را فقط در صورتی ارسال کنید که بدنه آنها آسیب ندیده باشد. اتصالات (کنتاکتهای) باز را بپوشانید و باتری را طوری بسته بندی کنید که در بسته بندی تکان نخورد. در این باره لطفاً به مقررات و آیین نامه های ملی توجه کنید.

### از رده خارج کردن دستگاه

ابزارهای برقی، باتری ها، متعلقات و بسته بندی ها، باید طبق مقررات حفظ محیط زیست از رده خارج و بازیافت شوند.



- سپس در اپلیکیشن، منوی فرعی **MyTools** یا **Connectivity** را انتخاب کنید.

- صفحه نمایشگر دستگاه همراه نهایی شما، تمامی مراحل بعدی فرآیند ارتباط ابزار برقی با دستگاه نهایی را نشان می دهد.

### انتقال اطلاعات از طریق Bluetooth®

ماژول **Bluetooth® Low Energy** تعبیه شده در فواصل منظم یک سیگنال ارسال می کند. بسته به محیط، قبل از تشخیص ابزار برقی، ممکن است چندین فاصله زمانی ارسال مورد نیاز باشد. چنانچه ابزار برقی شناخته نشد، به شرح زیر عمل کنید:

- آیا فاصله نسبت به دستگاه همراه نهایی بسیار زیاد است؟

فاصله بین دستگاه همراه نهایی و ابزار برقی را کم کنید.

- آیا باتری دکمه ای در ماژول **Bluetooth® Low Energy** تعبیه شده ضعیف یا خالی است؟

برای تعویض باتری دکمه ای با خدمات مجاز مشتریان ابزارهای برقی بوش تماس حاصل نمایید.

- در دستگاه همراه نهایی خود، **Bluetooth®** را خاموش و روشن کنید.

کنترل کنید که آیا ابزار برقی شناخته شده است یا خیر.

### عملکردها در رابطه با ابزار برقی

در رابطه با **Bluetooth® Low Energy Module** عملکردهای ارتباطی زیر برای ابزار برقی در دسترس هستند:

- ثبت و شخصی سازی
- بررسی وضعیت، اعلام هشدارها
- اطلاعات عمومی و تنظیمات
- مدیریت
- تعیین تنظیمات انتقال از طریق **Bluetooth®** برای حالت کاری **Favorite**

### مراقبت و سرویس

#### مراقبت، تعمیر و تمیز کردن دستگاه

◀ قبل از انجام هر گونه کاری با ابزار برقی (از جمله سرویس، تعویض ابزار و غیره) و همچنین به هنگام حمل و نقل و یا در انبار نگهداری کردن، باتری را از داخل ابزار برقی خارج کنید. در صورت تماس اتفاقی با کلید قطع و وصل، خطر آسیب دیدگی وجود دارد.

◀ ابزار الکتریکی و شیرهای تهویه آنرا تمیز نگاه دارید، تا ایمنی شما در کار تضمین گردد.

◀ کلاهک محافظت در برابر گرد و غبار را در صورت آسیب دیدن فوراً عوض کنید. توصیه میشود این کار را از طریق تعمیرگاه مجاز (خدمات پس از فروش) انجام دهید.

- ابزارگیر (2) را پس از هر بار استفاده تمیز کنید.

#### نحوه جایگزینی باتری دکمه ای تعبیه شده

ماژول **Bluetooth® Low Energy** دارای یک باتری دکمه ای است.

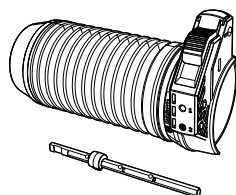
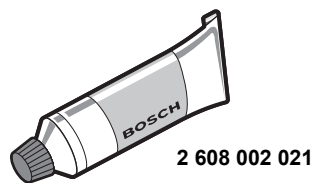
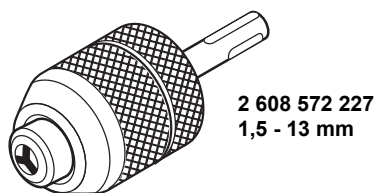
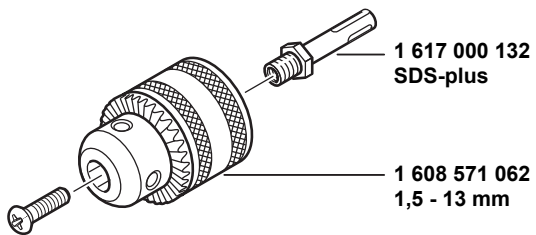
ابزار برقی و باتری ها/ باتری های قابل شارژ را داخل زباله دان خانگی نیندازید!



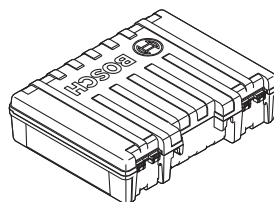
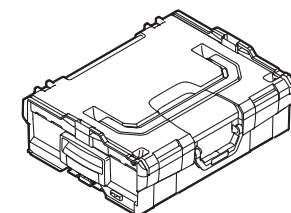
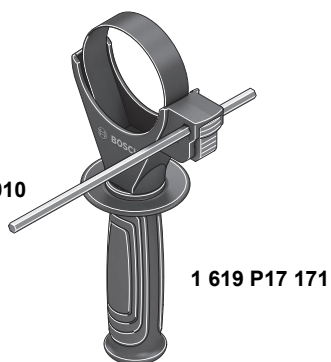
**باتریهای شارژی/قلمی:**

**لیتیوم-یونی:**

لطفاً به تذکرات بخش (رجوع کنید به „حمل دستگاه“، صفحه 101) توجه کنید.



1 613 001 010



## Licenses

### Copyright © 2015, Infineon Technologies AG

All rights reserved.

Redistribution and use in source and binary forms, with or without modification, are permitted provided that the following conditions are met:

- Redistributions of source code must retain the above copyright notice, this list of conditions and the following disclaimer.
- Redistributions in binary form must reproduce the above copyright notice, this list of conditions and the following disclaimer in the documentation and/or other materials provided with the distribution.
- Neither the name of the copyright holders nor the names of its contributors may be used to endorse or promote products derived from this software without specific prior written permission.

THIS SOFTWARE IS PROVIDED BY THE COPYRIGHT HOLDERS AND CONTRIBUTORS "AS IS" AND ANY EXPRESS OR IMPLIED WARRANTIES, INCLUDING, BUT NOT LIMITED TO, THE IMPLIED WARRANTIES OF MERCHANTABILITY AND FITNESS FOR A PARTICULAR PURPOSE ARE DISCLAIMED. IN NO EVENT SHALL THE COPYRIGHT OWNER OR CONTRIBUTORS BE LIABLE FOR ANY DIRECT, INDIRECT, INCIDENTAL, SPECIAL, EXEMPLARY, OR CONSEQUENTIAL DAMAGES (INCLUDING, BUT NOT LIMITED TO, PROCUREMENT OF SUBSTITUTE GOODS OR SERVICES; LOSS OF USE, DATA, OR PROFITS; OR BUSINESS INTERRUPTION) HOWEVER CAUSED AND ON ANY THEORY OF LIABILITY, WHETHER IN CONTRACT, STRICT LIABILITY, OR TORT (INCLUDING NEGLIGENCE OR OTHERWISE) ARISING IN ANY WAY OUT OF THE USE OF THIS SOFTWARE, EVEN IF ADVISED OF THE POSSIBILITY OF SUCH DAMAGE.

### Copyright © 2004 - 2020, Texas Instruments Incorporated

All rights reserved.

Redistribution and use in source and binary forms, with or without modification, are permitted provided that the following conditions are met:

- Redistributions of source code must retain the above copyright notice, this list of conditions and the following disclaimer.
- Redistributions in binary form must reproduce the above copyright notice, this list of conditions and the following disclaimer in the documentation and/or other materials provided with the distribution.
- Neither the name of Texas Instruments Incorporated nor the names of its contributors may be used to endorse or promote products derived from this software without specific prior written permission.

THIS SOFTWARE IS PROVIDED BY THE COPYRIGHT HOLDERS AND CONTRIBUTORS "AS IS" AND ANY EXPRESS OR IMPLIED WARRANTIES, INCLUDING, BUT NOT LIMITED TO, THE IMPLIED WARRANTIES OF MERCHANTABILITY AND FITNESS FOR A PARTICULAR PURPOSE ARE DISCLAIMED. IN NO EVENT SHALL THE COPYRIGHT OWNER OR CONTRIBUTORS BE LIABLE FOR ANY DIRECT, INDIRECT, INCIDENTAL, SPECIAL, EXEMPLARY, OR CONSEQUENTIAL DAMAGES (INCLUDING, BUT NOT LIMITED TO, PROCUREMENT OF SUBSTITUTE GOODS OR SERVICES; LOSS OF USE, DATA, OR PROFITS; OR BUSINESS INTERRUPTION) HOWEVER CAUSED AND ON ANY THEORY OF LIABILITY, WHETHER IN CONTRACT, STRICT LIABILITY, OR TORT (INCLUDING NEGLIGENCE OR OTHERWISE) ARISING IN ANY WAY OUT OF THE USE OF THIS SOFTWARE, EVEN IF ADVISED OF THE POSSIBILITY OF SUCH DAMAGE.

### Copyright © 2012–2019 STMicroelectronics

All rights reserved.

Redistribution and use in source and binary forms, with or without modification, are permitted provided that the following conditions are met:

- Redistributions of source code must retain the above copyright notice, this list of conditions and the following disclaimer.
- Redistributions in binary form must reproduce the above copyright notice, this list of conditions and the following disclaimer in the documentation and/or other materials provided with the distribution.
- Neither the name of STMicroelectronics nor the names of its contributors may be used to endorse or promote products derived from this software without specific prior written permission.

THIS SOFTWARE IS PROVIDED BY THE COPYRIGHT HOLDERS AND CONTRIBUTORS "AS IS" AND ANY EXPRESS OR IMPLIED WARRANTIES, INCLUDING, BUT NOT LIMITED TO, THE IMPLIED WARRANTIES OF MERCHANTABILITY AND FITNESS FOR A



PARTICULAR PURPOSE ARE DISCLAIMED. IN NO EVENT SHALL THE COPYRIGHT OWNER OR CONTRIBUTORS BE LIABLE FOR ANY DIRECT, INDIRECT, INCIDENTAL, SPECIAL, EXEMPLARY, OR CONSEQUENTIAL DAMAGES (INCLUDING, BUT NOT LIMITED TO, PROCUREMENT OF SUBSTITUTE GOODS OR SERVICES; LOSS OF USE, DATA, OR PROFITS; OR BUSINESS INTERRUPTION) HOWEVER CAUSED AND ON ANY THEORY OF LIABILITY, WHETHER IN CONTRACT, STRICT LIABILITY, OR TORT (INCLUDING NEGLIGENCE OR OTHERWISE) ARISING IN ANY WAY OUT OF THE USE OF THIS SOFTWARE, EVEN IF ADVISED OF THE POSSIBILITY OF SUCH DAMAGE.

#### Copyright © 2011 Petteri Aimonen

This software is provided 'as-is', without any express or implied warranty. In no event will the authors be held liable for any damages arising from the use of this software.

Permission is granted to anyone to use this software for any purpose, including commercial applications, and to alter it and redistribute it freely, subject to the following restrictions:

1. The origin of this software must not be misrepresented; you must not claim that you wrote the original software. If you use this software in a product, an acknowledgment in the product documentation would be appreciated but is not required.
2. Altered source versions must be plainly marked as such, and must not be misrepresented as being the original software.
3. This notice may not be removed or altered from any source distribution.

#### Apache License 2.0

Copyright © 2009-2020 Arm Limited. All rights reserved.

Licensed under Apache 2.0

Copyright © 2018 STMicroelectronics. All rights reserved.

Licensed under Apache 2.0

Version 2.0, January 2004

<http://www.apache.org/licenses/>

TERMS AND CONDITIONS FOR USE, REPRODUCTION, AND DISTRIBUTION

#### 1. Definitions.

**"License"** shall mean the terms and conditions for use, reproduction, and distribution as defined by Sections 1 through 9 of this document.

**"Licensor"** shall mean the copyright owner or entity authorized by the copyright owner that is granting the License.

**"Legal Entity"** shall mean the union of the acting entity and all other entities that control, are controlled by, or are under common control with that entity. For the purposes of this definition, **"control"** means (i) the power, direct or indirect, to cause the direction or management of such entity, whether by contract or otherwise, or (ii) ownership of fifty percent (50%) or more of the outstanding shares, or (iii) beneficial ownership of such entity.

**"You"** (or **"Your"**) shall mean an individual or Legal Entity exercising permissions granted by this License.

**"Source"** form shall mean the preferred form for making modifications, including but not limited to software source code, documentation source, and configuration files.

**"Object"** form shall mean any form resulting from mechanical transformation or translation of a Source form, including but not limited to compiled object code, generated documentation, and conversions to other media types.

**"Work"** shall mean the work of authorship, whether in Source or Object form, made available under the License, as indicated by a copyright notice that is included in or attached to the work (an example is provided in the Appendix below).

**"Derivative Works"** shall mean any work, whether in Source or Object form, that is based on (or derived from) the Work and for which the editorial revisions, annotations, elaborations, or other modifications represent, as a whole, an original work of authorship. For the purposes of this License, Derivative Works shall not include works that remain separable from, or merely link (or bind by name) to the interfaces of, the Work and Derivative Works thereof.

**"Contribution"** shall mean any work of authorship, including the original version of the Work and any modifications or additions to that Work or Derivative Works thereof, that is intentionally submitted to Licensor for inclusion in the Work by the copyright owner or by an individual or Legal Entity authorized to submit on behalf of the copyright owner. For the purposes of this definition, **"submitted"** means any form of electronic, verbal, or written communication sent to the Licensor or its representatives, including but not limited to communication on electronic mailing lists, source code control systems, and issue tracking systems that are managed by, or on behalf of, the Licensor for the purpose of discussing and improving the Work, but excluding communication that is conspicuously marked or otherwise designated in writing by the copyright owner as **"Not a Contribution."**

**"Contributor"** shall mean Licensor and any individual or Legal Entity on behalf of whom a Contribution has been received by Licensor and subsequently incorporated within the Work.

**2. Grant of Copyright License.** Subject to the terms and conditions of this License, each Contributor hereby grants to You a perpetual, worldwide, non-exclusive, no-charge, royalty-free, irrevocable copyright license to reproduce, prepare Derivative Works of, publicly display, publicly perform, sublicense, and distribute the Work and such Derivative Works in Source or Object form.

**3. Grant of Patent License.** Subject to the terms and conditions of this License, each Contributor hereby grants to You a perpetual, worldwide, non-exclusive, no-charge, royalty-free, irrevocable (except as stated in this section) patent license to make, have made, use, offer to sell, sell, import, and otherwise transfer the Work, where such license applies only to those patent claims licensable by such Contributor that are necessarily infringed by their Contribution(s) alone or by combination of their Contribution(s) with the Work to which such Contribution(s) was submitted. If You institute patent litigation against any entity (including a cross-claim or counterclaim in a lawsuit) alleging that the Work or a Contribution incorporated within the Work constitutes direct or contributory patent infringement, then any patent licenses granted to You under this License for that Work shall terminate as of the date such litigation is filed.

**4. Redistribution.** You may reproduce and distribute copies of the Work or Derivative Works thereof in any medium, with or without modifications, and in Source or Object form, provided that You meet the following conditions:

- You must give any other recipients of the Work or Derivative Works a copy of this License; and
- You must cause any modified files to carry prominent notices stating that You changed the files; and
- You must retain, in the Source form of any Derivative Works that You distribute, all copyright, patent, trademark, and attribution notices from the Source form of the Work, excluding those notices that do not pertain to any part of the Derivative Works; and
- If the Work includes a "NOTICE" text file as part of its distribution, then any Derivative Works that You distribute must include a readable copy of the attribution notices contained within such NOTICE file, excluding those notices that do not pertain to any part of the Derivative Works, in at least one of the following places: within a NOTICE text file distributed as part of the Derivative Works; within the Source form or documentation, if provided along with the Derivative Works; or, within a display generated by the Derivative Works, if and wherever such third-party notices normally appear. The contents of the NOTICE file are for informational purposes only and do not modify the License.

You may add Your own attribution notices within Derivative Works that You distribute, alongside or as an addendum to the NOTICE text from the Work, provided that such additional attribution notices cannot be construed as modifying the License. You may add Your own copyright statement to Your modifications and may provide additional or different license terms and conditions for use, reproduction, or distribution of Your modifications, or for any such Derivative Works as a whole, provided Your use, reproduction, and distribution of the Work otherwise complies with the conditions stated in this License.

**5. Submission of Contributions.** Unless You explicitly state otherwise, any Contribution intentionally submitted for inclusion in the Work by You to the Licensor shall be under the terms and conditions of this License, without any additional terms or conditions. Notwithstanding the above, nothing herein shall supersede or modify the terms of any separate license agreement you may have executed with Licensor regarding such Contributions.

**6. Trademarks.** This License does not grant permission to use the trade names, trademarks, service marks, or product names of the Licensor, except as required for reasonable and customary use in describing the origin of the Work and reproducing the content of the NOTICE file.

**7. Disclaimer of Warranty.** Unless required by applicable law or agreed to in writing, Licensor provides the Work (and each Contributor provides its Contributions) on an "AS IS" BASIS, WITHOUT WARRANTIES OR CONDITIONS OF ANY KIND, either express or implied, including, without limitation, any warranties or conditions of TITLE, NON-INFRINGEMENT, MERCHANTABILITY, or FITNESS FOR A PARTICULAR PURPOSE. You are solely responsible for determining the appropriateness of using or redistributing the Work and assume any risks associated with Your exercise of permissions under this License.

**8. Limitation of Liability.** In no event and under no legal theory, whether in tort (including negligence), contract, or otherwise, unless required by applicable law (such as deliberate and grossly negligent acts) or agreed to in writing, shall any Contributor be liable to You for damages, including any direct, indirect, special, incidental, or consequential damages of any character arising as a result of this License or out of the use or inability to use the Work (including but not limited to damages for loss of goodwill, work stoppage, computer failure or malfunction, or any and all other commercial damages or losses), even if such Contributor has been advised of the possibility of such damages.

**9. Accepting Warranty or Additional Liability.** While redistributing the Work or Derivative Works thereof, You may choose to offer, and charge a fee for, acceptance of support, warranty, indemnity, or other liability obligations and/or rights consistent with this License. However, in accepting such obligations, You may act only on Your own behalf and on Your sole responsibility, not on behalf of any other Contributor, and only if You agree to indemnify, defend, and hold each Contributor harmless for any liability incurred by, or claims asserted against, such Contributor by reason of your accepting any such warranty or additional liability.

END OF TERMS AND CONDITIONS