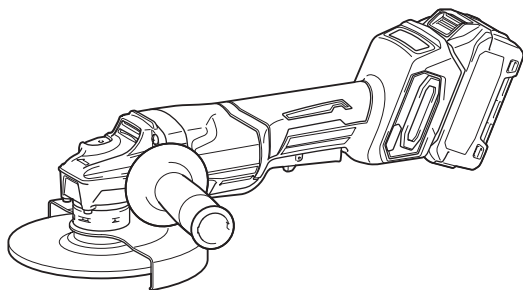
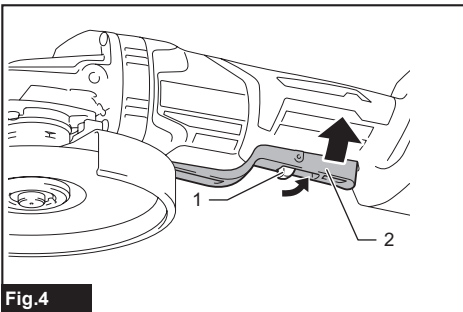
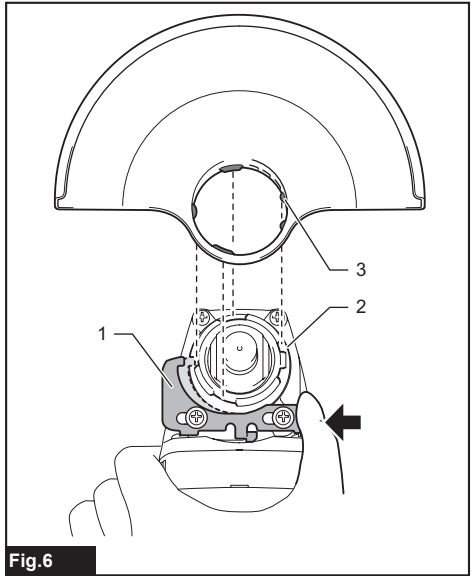
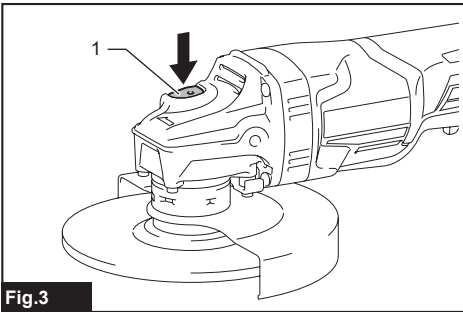
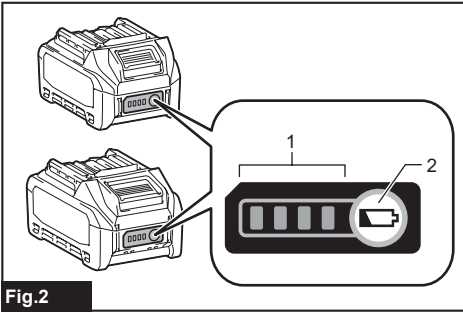
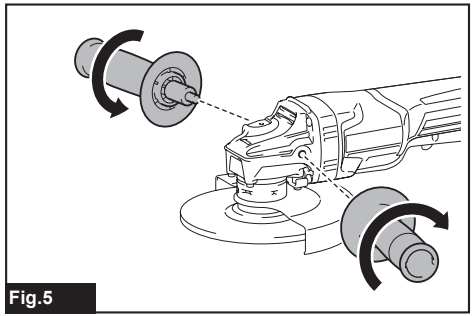
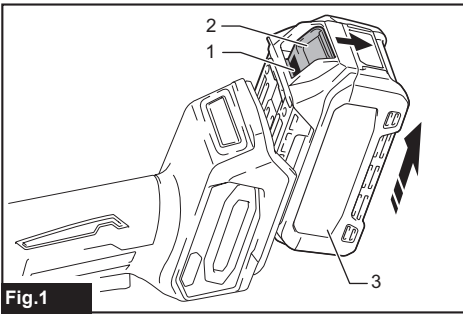




EN	Cordless Angle Grinder	INSTRUCTION MANUAL	7
SL	Brezžični kotni brusilnik	NAVODILA ZA UPORABO	17
SQ	Rektifikuesi me kënd me bateri	MANUALI I PËRDORIMIT	27
BG	Акумулаторен ъглошлайф	РЪКОВОДСТВО ЗА ЕКСПЛОАТАЦИЯ	37
HR	Bežična kutna brusilica	PRIRUČNIK S UPUTAMA	48
MK	Безжична брусилка за агли	УПАТСТВО ЗА УПОТРЕБА	58
SR	Бежична угаона брусилца	УПУТСТВО ЗА УПОТРЕБУ	69
RO	Polizor unghiular cu acumulator	MANUAL DE INSTRUCȚIUNI	80
UK	Бездротова кутова шліфувальна машина	ІНСТРУКЦІЯ З ЕКСПЛУАТАЦІЇ	91
RU	Аккумуляторная угловая шлифмашина	РУКОВОДСТВО ПО ЭКСПЛУАТАЦИИ	103

# GA036G





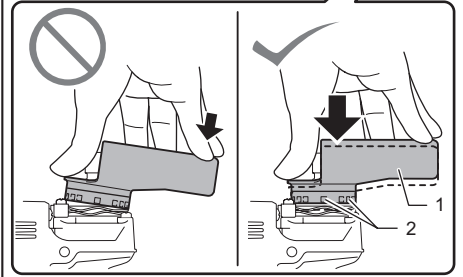
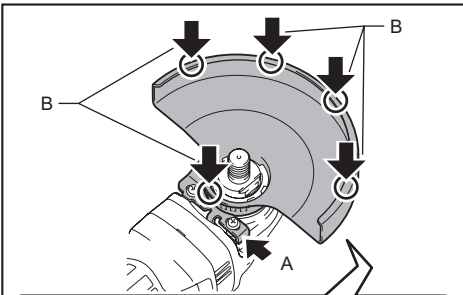


Fig.7

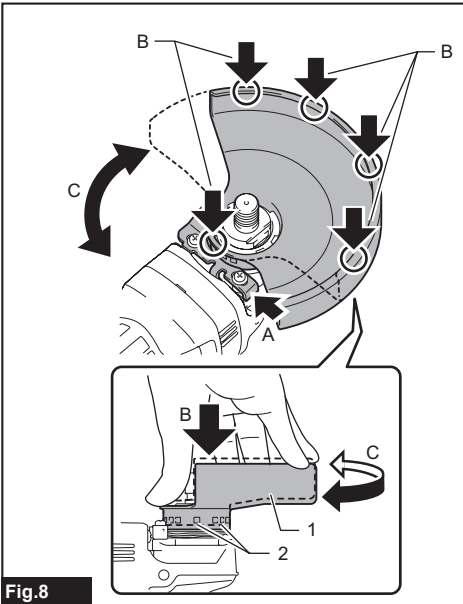


Fig.8

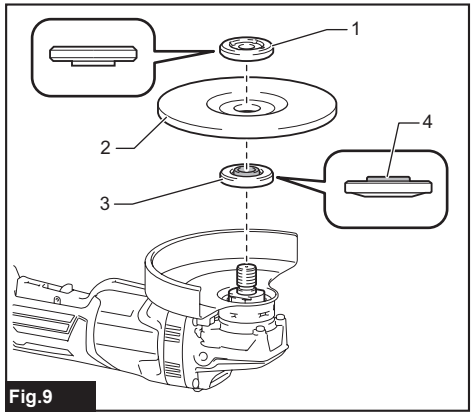


Fig.9

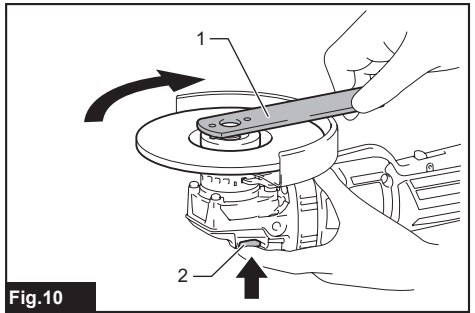


Fig.10

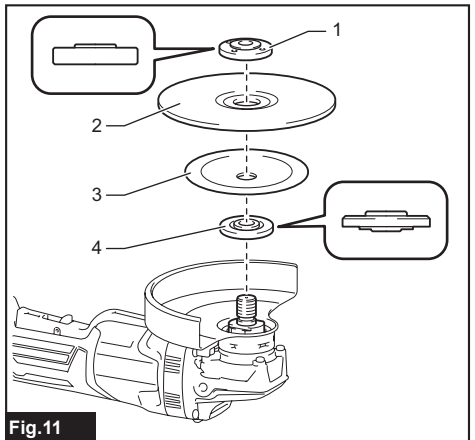


Fig.11

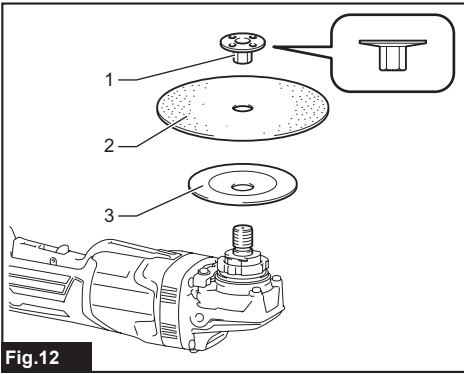


Fig. 12

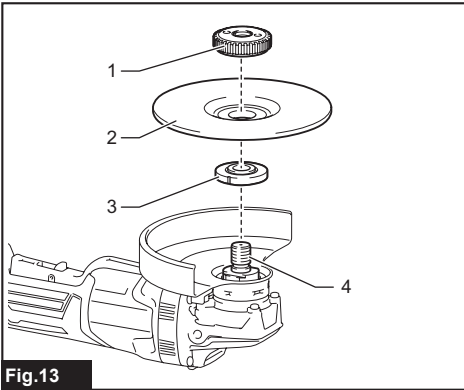


Fig. 13

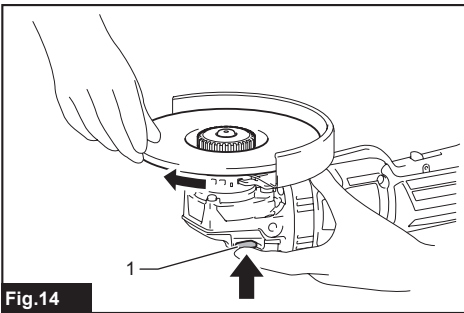


Fig. 14

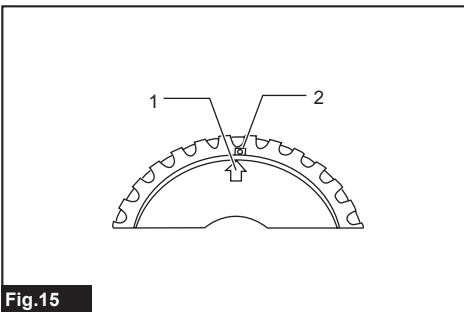


Fig. 15

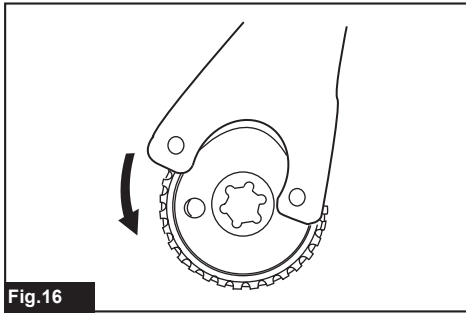


Fig. 16

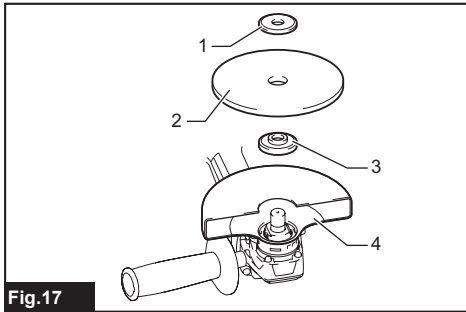


Fig. 17

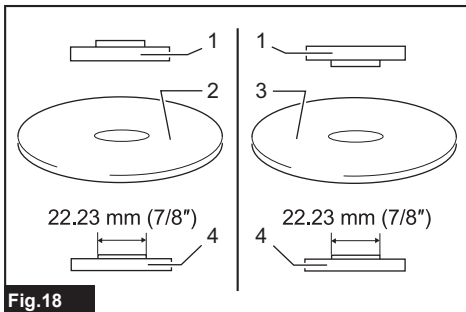


Fig. 18

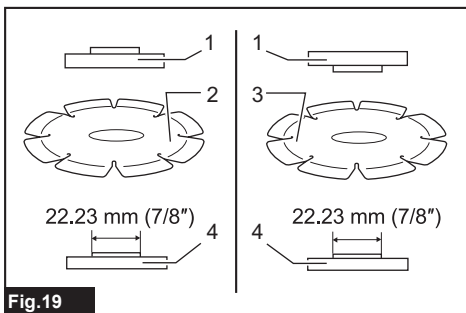
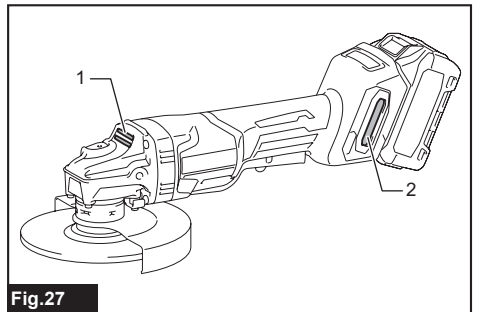
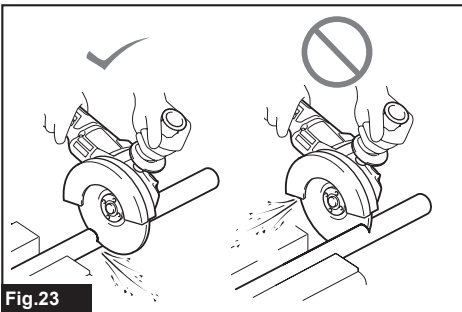
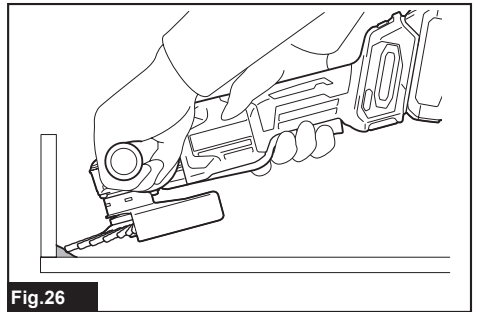
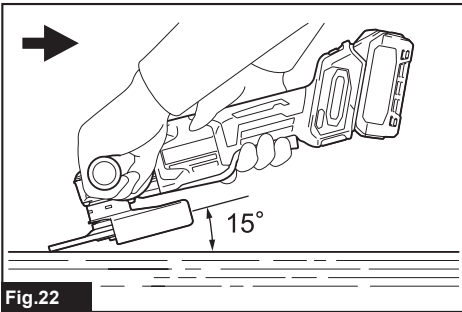
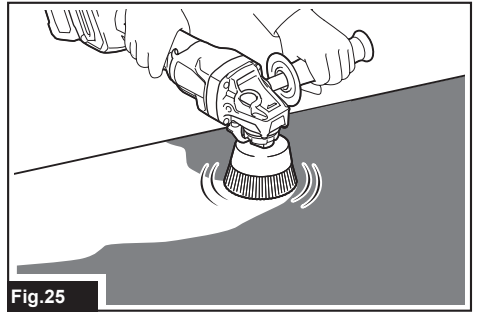
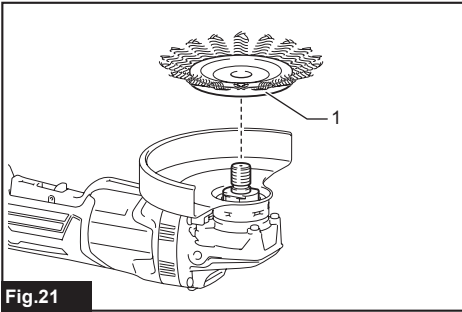
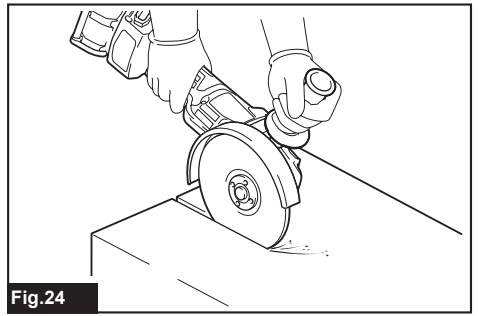
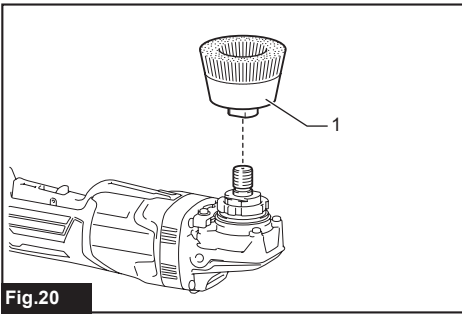


Fig. 19



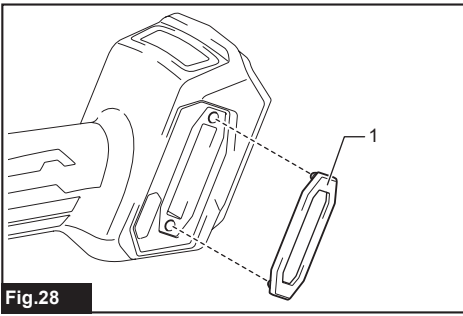


Fig.28

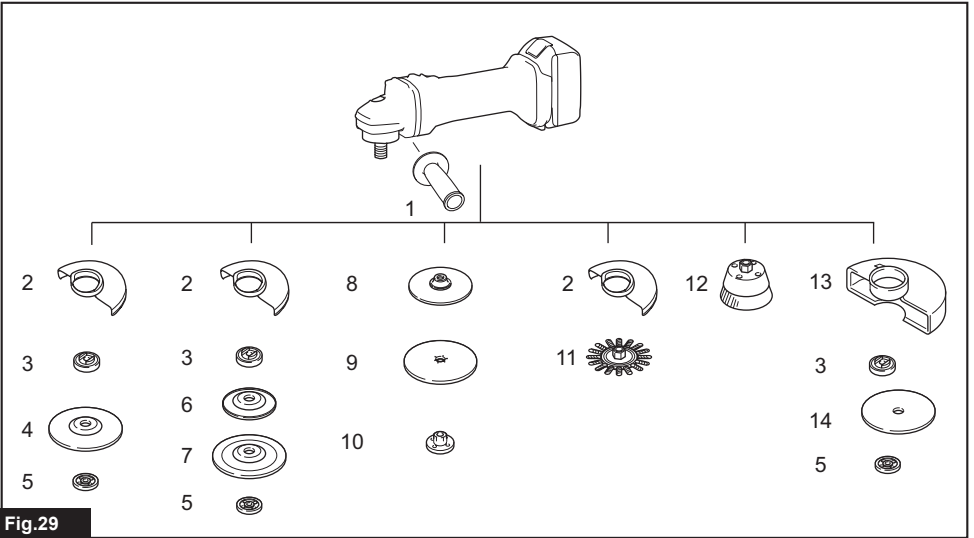


Fig.29

## SPECIFICATIONS

<b>Model:</b>		<b>GA036G</b>
Wheel diameter		150 mm (6")
Max. wheel thickness		6.4 mm
Spindle thread		M14 or 5/8" (country specific)
Rated speed (n)		8,500 min <sup>-1</sup>
Overall length	with BL4025	398 mm
	with BL4040	410 mm
Net weight		3.1 - 3.7 kg
Rated voltage		D.C. 36 V - 40 V max

- Due to our continuing program of research and development, the specifications herein are subject to change without notice.
- Specifications may differ from country to country.
- The weight may differ depending on the attachment(s), including the battery cartridge. The lightest and heaviest combination, according to EPTA-Procedure 01/2014, are shown in the table.

### Applicable battery cartridge and charger

Battery cartridge	BL4025 / BL4040
Charger	DC40RA

- Some of the battery cartridges and chargers listed above may not be available depending on your region of residence.

**⚠WARNING: Only use the battery cartridges and chargers listed above.** Use of any other battery cartridges and chargers may cause injury and/or fire.

### Intended use

The tool is intended for grinding, sanding, wire brushing and cutting of metal and stone materials without the use of water.

### Noise

The typical A-weighted noise level determined according to EN60745-2-3:

Sound pressure level ( $L_{pA}$ ) : 82 dB(A)

Sound power level ( $L_{WA}$ ) : 93 dB (A)

Uncertainty (K) : 3 dB(A)

**NOTE:** The declared noise emission value(s) has been measured in accordance with a standard test method and may be used for comparing one tool with another.

**NOTE:** The declared noise emission value(s) may also be used in a preliminary assessment of exposure.

**⚠WARNING: Wear ear protection.**

**⚠WARNING:** The noise emission during actual use of the power tool can differ from the declared value(s) depending on the ways in which the tool is used especially what kind of workpiece is processed.

**⚠WARNING:** Be sure to identify safety measures to protect the operator that are based on an estimation of exposure in the actual conditions of use (taking account of all parts of the operating cycle such as the times when the tool is switched off and when it is running idle in addition to the trigger time).

### Vibration

The vibration total value (tri-axial vector sum) determined according to EN60745-2-3:

Work mode: surface grinding with normal side grip

Vibration emission ( $a_{h,AG}$ ) : 9.0 m/s<sup>2</sup>

Uncertainty (K) : 1.5 m/s<sup>2</sup>

Work mode: surface grinding with anti vibration side grip

Vibration emission ( $a_{h,AG}$ ) : 9.0 m/s<sup>2</sup>

Uncertainty (K) : 1.5 m/s<sup>2</sup>

Work mode: disc sanding with normal side grip

Vibration emission ( $a_{h,DS}$ ) : 4.0 m/s<sup>2</sup>

Uncertainty (K) : 1.5 m/s<sup>2</sup>

Work mode: disc sanding with anti vibration side grip

Vibration emission ( $a_{h,DS}$ ) : 3.5 m/s<sup>2</sup>

Uncertainty (K) : 1.5 m/s<sup>2</sup>

**NOTE:** The declared vibration total value(s) has been measured in accordance with a standard test method and may be used for comparing one tool with another.

**NOTE:** The declared vibration total value(s) may also be used in a preliminary assessment of exposure.

**⚠️WARNING:** The vibration emission during actual use of the power tool can differ from the declared value(s) depending on the ways in which the tool is used especially what kind of workpiece is processed.

**⚠️WARNING:** Be sure to identify safety measures to protect the operator that are based on an estimation of exposure in the actual conditions of use (taking account of all parts of the operating cycle such as the times when the tool is switched off and when it is running idle in addition to the trigger time).

**⚠️WARNING:** The declared vibration emission value is used for main applications of the power tool. However if the power tool is used for other applications, the vibration emission value may be different.

## EC Declaration of Conformity

### For European countries only

The EC declaration of conformity is included as Annex A to this instruction manual.

# SAFETY WARNINGS

## General power tool safety warnings

**⚠️WARNING:** Read all safety warnings, instructions, illustrations and specifications provided with this power tool. Failure to follow all instructions listed below may result in electric shock, fire and/or serious injury.

## Save all warnings and instructions for future reference.

The term "power tool" in the warnings refers to your mains-operated (corded) power tool or battery-operated (cordless) power tool.

## Cordless grinder safety warnings

### Safety Warnings Common for Grinding, Sanding, Wire Brushing, or Abrasive Cutting-Off Operations:

1. **This power tool is intended to function as a grinder, sander, wire brush or cut-off tool. Read all safety warnings, instructions, illustrations and specifications provided with this power tool.** Failure to follow all instructions listed below may result in electric shock, fire and/or serious injury.
2. **Operations such as polishing are not recommended to be performed with this power tool.** Operations for which the power tool was not designed may create a hazard and cause personal injury.
3. **Do not use accessories which are not specifically designed and recommended by the tool manufacturer.** Just because the accessory can be attached to your power tool, it does not assure safe operation.

4. **The rated speed of the accessory must be at least equal to the maximum speed marked on the power tool.** Accessories running faster than their rated speed can break and fly apart.
5. **The outside diameter and the thickness of your accessory must be within the capacity rating of your power tool.** Incorrectly sized accessories cannot be adequately guarded or controlled.
6. **Threaded mounting of accessories must match the grinder spindle thread. For accessories mounted by flanges, the arbour hole of the accessory must fit the locating diameter of the flange.** Accessories that do not match the mounting hardware of the power tool will run out of balance, vibrate excessively and may cause loss of control.
7. **Do not use a damaged accessory. Before each use inspect the accessory such as abrasive wheels for chips and cracks, backing pad for cracks, tear or excess wear, wire brush for loose or cracked wires. If power tool or accessory is dropped, inspect for damage or install an undamaged accessory. After inspecting and installing an accessory, position yourself and bystanders away from the plane of the rotating accessory and run the power tool at maximum no-load speed for one minute.** Damaged accessories will normally break apart during this test time.
8. **Wear personal protective equipment. Depending on application, use face shield, safety goggles or safety glasses. As appropriate, wear dust mask, hearing protectors, gloves and workshop apron capable of stopping small abrasive or workpiece fragments.** The eye protection must be capable of stopping flying debris generated by various operations. The dust mask or respirator must be capable of filtering particles generated by your operation. Prolonged exposure to high intensity noise may cause hearing loss.
9. **Keep bystanders a safe distance away from work area. Anyone entering the work area must wear personal protective equipment.** Fragments of workpiece or of a broken accessory may fly away and cause injury beyond immediate area of operation.
10. **Hold the power tool by insulated gripping surfaces only, when performing an operation where the cutting tool may contact hidden wiring.** Contact with a "live" wire will also make exposed metal parts of the power tool "live" and could give the operator an electric shock.
11. **Never lay the power tool down until the accessory has come to a complete stop.** The spinning accessory may grab the surface and pull the power tool out of your control.
12. **Do not run the power tool while carrying it at your side.** Accidental contact with the spinning accessory could snag your clothing, pulling the accessory into your body.
13. **Regularly clean the power tool's air vents.** The motor's fan will draw the dust inside the housing and excessive accumulation of powdered metal may cause electrical hazards.
14. **Do not operate the power tool near flammable materials.** Sparks could ignite these materials.
15. **Do not use accessories that require liquid coolants.** Using water or other liquid coolants may result in electrocution or shock.



### Kickback and Related Warnings

Kickback is a sudden reaction to a pinched or snagged rotating wheel, backing pad, brush or any other accessory. Pinching or snagging causes rapid stalling of the rotating accessory which in turn causes the uncontrolled power tool to be forced in the direction opposite of the accessory's rotation at the point of the binding. For example, if an abrasive wheel is snagged or pinched by the workpiece, the edge of the wheel that is entering into the pinch point can dig into the surface of the material causing the wheel to climb out or kick out. The wheel may either jump toward or away from the operator, depending on direction of the wheel's movement at the point of pinching. Abrasive wheels may also break under these conditions.

Kickback is the result of power tool misuse and/or incorrect operating procedures or conditions and can be avoided by taking proper precautions as given below.

1. **Maintain a firm grip on the power tool and position your body and arm to allow you to resist kickback forces. Always use auxiliary handle, if provided, for maximum control over kickback or torque reaction during start-up.** The operator can control torque reactions or kickback forces, if proper precautions are taken.
2. **Never place your hand near the rotating accessory.** Accessory may kickback over your hand.
3. **Do not position your body in the area where power tool will move if kickback occurs.** Kickback will propel the tool in direction opposite to the wheel's movement at the point of snagging.
4. **Use special care when working corners, sharp edges etc. Avoid bouncing and snagging the accessory.** Corners, sharp edges or bouncing have a tendency to snag the rotating accessory and cause loss of control or kickback.
5. **Do not attach a saw chain woodcarving blade or toothed saw blade.** Such blades create frequent kickback and loss of control.

### Safety Warnings Specific for Grinding and Abrasive Cutting-Off Operations:

1. **Use only wheel types that are recommended for your power tool and the specific guard designed for the selected wheel.** Wheels for which the power tool was not designed cannot be adequately guarded and are unsafe.
2. **The grinding surface of centre depressed wheels must be mounted below the plane of the guard lip.** An improperly mounted wheel that projects through the plane of the guard lip cannot be adequately protected.
3. **The guard must be securely attached to the power tool and positioned for maximum safety, so the least amount of wheel is exposed towards the operator.** The guard helps to protect the operator from broken wheel fragments, accidental contact with wheel and sparks that could ignite clothing.
4. **Wheels must be used only for recommended applications. For example: do not grind with the side of cut-off wheel.** Abrasive cut-off wheels are intended for peripheral grinding, side forces applied to these wheels may cause them to shatter.

5. **Always use undamaged wheel flanges that are of correct size and shape for your selected wheel.** Proper wheel flanges support the wheel thus reducing the possibility of wheel breakage. Flanges for cut-off wheels may be different from grinding wheel flanges.
6. **Do not use worn down wheels from larger power tools.** Wheel intended for larger power tool is not suitable for the higher speed of a smaller tool and may burst.

### Additional Safety Warnings Specific for Abrasive Cutting-Off Operations:

1. **Do not "jam" the cut-off wheel or apply excessive pressure. Do not attempt to make an excessive depth of cut.** Overstressing the wheel increases the loading and susceptibility to twisting or binding of the wheel in the cut and the possibility of kickback or wheel breakage.
2. **Do not position your body in line with and behind the rotating wheel.** When the wheel, at the point of operation, is moving away from your body, the possible kickback may propel the spinning wheel and the power tool directly at you.
3. **When wheel is binding or when interrupting a cut for any reason, switch off the power tool and hold the power tool motionless until the wheel comes to a complete stop. Never attempt to remove the cut-off wheel from the cut while the wheel is in motion otherwise kickback may occur.** Investigate and take corrective action to eliminate the cause of wheel binding.
4. **Do not restart the cutting operation in the workpiece. Let the wheel reach full speed and carefully re-enter the cut.** The wheel may bind, walk up or kickback if the power tool is restarted in the workpiece.
5. **Support panels or any oversized workpiece to minimize the risk of wheel pinching and kickback.** Large workpieces tend to sag under their own weight. Supports must be placed under the workpiece near the line of cut and near the edge of the workpiece on both sides of the wheel.
6. **Use extra caution when making a "pocket cut" into existing walls or other blind areas.** The protruding wheel may cut gas or water pipes, electrical wiring or objects that can cause kickback.

### Safety Warnings Specific for Sanding Operations:

1. **Do not use excessively oversized sanding disc paper. Follow manufacturers recommendations, when selecting sanding paper.** Larger sanding paper extending beyond the sanding pad presents a laceration hazard and may cause snagging, tearing of the disc or kickback.

### Safety Warnings Specific for Wire Brushing Operations:

1. **Be aware that wire bristles are thrown by the brush even during ordinary operation. Do not overstress the wires by applying excessive load to the brush.** The wire bristles can easily penetrate light clothing and/or skin.
2. **If the use of a guard is recommended for wire brushing, do not allow any interference of the wire wheel or brush with the guard.** Wire wheel or brush may expand in diameter due to work load and centrifugal forces.

### Additional Safety Warnings:

1. When using depressed centre grinding wheels, be sure to use only fiberglass-reinforced wheels.
2. **NEVER USE Stone Cup type wheels with this grinder.** This grinder is not designed for these types of wheels and the use of such a product may result in serious personal injury.
3. Be careful not to damage the spindle, the flange (especially the installing surface) or the lock nut. Damage to these parts could result in wheel breakage.
4. Make sure the wheel is not contacting the workpiece before the switch is turned on.
5. Before using the tool on an actual workpiece, let it run for a while. Watch for vibration or wobbling that could indicate poor installation or a poorly balanced wheel.
6. Use the specified surface of the wheel to perform the grinding.
7. Do not leave the tool running. Operate the tool only when hand-held.
8. Do not touch the workpiece immediately after operation; it may be extremely hot and could burn your skin.
9. Do not touch accessories immediately after operation; it may be extremely hot and could burn your skin.
10. Observe the instructions of the manufacturer for correct mounting and use of wheels. Handle and store wheels with care.
11. Do not use separate reducing bushings or adaptors to adapt large hole abrasive wheels.
12. Use only flanges specified for this tool.
13. For tools intended to be fitted with threaded hole wheel, ensure that the thread in the wheel is long enough to accept the spindle length.
14. Check that the workpiece is properly supported.
15. Pay attention that the wheel continues to rotate after the tool is switched off.
16. If working place is extremely hot and humid, or badly polluted by conductive dust, use a short-circuit breaker (30 mA) to assure operator safety.
17. Do not use the tool on any materials containing asbestos.
18. When use cut-off wheel, always work with the dust collecting wheel guard required by domestic regulation.
19. Cutting discs must not be subjected to any lateral pressure.
20. Do not use cloth work gloves during operation. Fibers from cloth gloves may enter the tool, which causes tool breakage.
21. Make sure there are no electrical cables, water pipes, gas pipes etc. that could cause a hazard if damaged by use of the tool.

## SAVE THESE INSTRUCTIONS.

**⚠WARNING:** DO NOT let comfort or familiarity with product (gained from repeated use) replace strict adherence to safety rules for the subject product. MISUSE or failure to follow the safety rules stated in this instruction manual may cause serious personal injury.

## Important safety instructions for battery cartridge

1. Before using battery cartridge, read all instructions and cautionary markings on (1) battery charger, (2) battery, and (3) product using battery.
2. Do not disassemble or tamper the battery cartridge. It may result in a fire, excessive heat, or explosion.
3. If operating time has become excessively shorter, stop operating immediately. It may result in a risk of overheating, possible burns and even an explosion.
4. If electrolyte gets into your eyes, rinse them out with clear water and seek medical attention right away. It may result in loss of your eyesight.
5. Do not short the battery cartridge:
  - (1) Do not touch the terminals with any conductive material.
  - (2) Avoid storing battery cartridge in a container with other metal objects such as nails, coins, etc.
  - (3) Do not expose battery cartridge to water or rain.A battery short can cause a large current flow, overheating, possible burns and even a breakdown.
6. Do not store and use the tool and battery cartridge in locations where the temperature may reach or exceed 50 °C (122 °F).
7. Do not incinerate the battery cartridge even if it is severely damaged or is completely worn out. The battery cartridge can explode in a fire.
8. Do not nail, cut, crush, throw, drop the battery cartridge, or hit against a hard object to the battery cartridge. Such conduct may result in a fire, excessive heat, or explosion.
9. Do not use a damaged battery.
10. The contained lithium-ion batteries are subject to the Dangerous Goods Legislation requirements.

For commercial transports e.g. by third parties, forwarding agents, special requirement on packaging and labeling must be observed.

For preparation of the item being shipped, consulting an expert for hazardous material is required. Please also observe possibly more detailed national regulations.

Tape or mask off open contacts and pack up the battery in such a manner that it cannot move around in the packaging.
11. When disposing the battery cartridge, remove it from the tool and dispose of it in a safe place. Follow your local regulations relating to disposal of battery.
12. Use the batteries only with the products specified by Makita. Installing the batteries to non-compliant products may result in a fire, excessive heat, explosion, or leak of electrolyte.

13. If the tool is not used for a long period of time, the battery must be removed from the tool.
14. During and after use, the battery cartridge may take on heat which can cause burns or low temperature burns. Pay attention to the handling of hot battery cartridges.
15. Do not touch the terminal of the tool immediately after use as it may get hot enough to cause burns.
16. Do not allow chips, dust, or soil stuck into the terminals, holes, and grooves of the battery cartridge. It may result in poor performance or breakdown of the tool or battery cartridge.
17. Unless the tool supports the use near high-voltage electrical power lines, do not use the battery cartridge near a high-voltage electrical power lines. It may result in a malfunction or breakdown of the tool or battery cartridge.
18. Keep the battery away from children.

## SAVE THESE INSTRUCTIONS.

**CAUTION:** Only use genuine Makita batteries. Use of non-genuine Makita batteries, or batteries that have been altered, may result in the battery bursting causing fires, personal injury and damage. It will also void the Makita warranty for the Makita tool and charger.

## Tips for maintaining maximum battery life

1. Charge the battery cartridge before completely discharged. Always stop tool operation and charge the battery cartridge when you notice less tool power.
2. Never recharge a fully charged battery cartridge. Overcharging shortens the battery service life.
3. Charge the battery cartridge with room temperature at 10 °C - 40 °C (50 °F - 104 °F). Let a hot battery cartridge cool down before charging it.
4. When not using the battery cartridge, remove it from the tool or the charger.
5. Charge the battery cartridge if you do not use it for a long period (more than six months).

## FUNCTIONAL DESCRIPTION

**CAUTION:** Always be sure that the tool is switched off and the battery cartridge is removed before adjusting or checking function on the tool.

### Installing or removing battery cartridge

**CAUTION:** Always switch off the tool before installing or removing of the battery cartridge.

**CAUTION:** Hold the tool and the battery cartridge firmly when installing or removing battery cartridge. Failure to hold the tool and the battery cartridge firmly may cause them to slip off your hands and result in damage to the tool and battery cartridge and a personal injury.

► Fig.1: 1. Red indicator 2. Button 3. Battery cartridge

To remove the battery cartridge, slide it from the tool while sliding the button on the front of the cartridge.

To install the battery cartridge, align the tongue on the battery cartridge with the groove in the housing and slip it into place. Insert it all the way until it locks in place with a little click. If you can see the red indicator on the upper side of the button, it is not locked completely.



















**CAUTION:** Always install the battery cartridge fully until the red indicator cannot be seen. If not, it may accidentally fall out of the tool, causing injury to you or someone around you.

**CAUTION:** Do not install the battery cartridge forcibly. If the cartridge does not slide in easily, it is not being inserted correctly.

### Indicating the remaining battery capacity

Press the check button on the battery cartridge to indicate the remaining battery capacity. The indicator lamps light up for a few seconds.

► Fig.2: 1. Indicator lamps 2. Check button

Indicator lamps			Remaining capacity
 Lighted	 Off	 Blinking	
			75% to 100%
			50% to 75%
			25% to 50%
			0% to 25%
			Charge the battery.
 	 ↑ ↓ 	 	The battery may have malfunctioned.

**NOTE:** Depending on the conditions of use and the ambient temperature, the indication may differ slightly from the actual capacity.

**NOTE:** The first (far left) indicator lamp will blink when the battery protection system works.

## Tool / battery protection system

The tool is equipped with a tool/battery protection system. This system automatically cuts off power to the motor to extend tool and battery life. The tool will automatically stop during operation if the tool or battery is placed under one of the following conditions:

### Overload protection

When the tool/battery is operated in a manner that causes it to draw an abnormally high current, the tool automatically stops without any indication. In this situation, turn the tool off and stop the application that caused the tool to become overloaded. Then turn the tool on to restart.

### Overheat protection

When the tool/battery is overheated, the tool stops automatically. In this case, remove the battery from the tool on again.

### Overdischarge protection

When the battery capacity is not enough, the tool stops automatically. In this case, remove the battery from the tool and charge the battery.

### Releasing protection lock

When the protection system works repeatedly, the tool is locked. In this situation, the tool does not start even if turning the tool off and on. To release the protection lock, remove the battery, set it to the battery charger and wait until the charging finishes.

## Shaft lock

Press the shaft lock to prevent spindle rotation when installing or removing accessories.

► **Fig.3:** 1. Shaft lock

**NOTICE:** Never actuate the shaft lock when the spindle is moving. The tool may be damaged.

## Switch action

**CAUTION:** Before installing the battery cartridge into the tool, always check to see that the switch lever actuates properly and returns to the "OFF" position when released.

**CAUTION:** For your safety, this tool is equipped with lock-off lever which prevents the tool from unintended starting. **NEVER** use the tool if it runs when you simply pull the switch lever without pulling the lock-off lever. Return the tool to our authorized service center for proper repairs **BEFORE** further usage.

**CAUTION:** Do not pull the switch lever hard without pulling the lock-off lever. This can cause switch breakage.

**CAUTION:** **NEVER** tape down or defeat purpose and function of lock-off lever.

► **Fig.4:** 1. Lock-off lever 2. Switch lever

To prevent the switch lever from being accidentally pulled, a lock-off lever is provided.

To start the tool, pull the lock-off lever toward the operator and then pull the switch lever.

To stop the tool, release the switch lever.

## Accidental re-start preventive function

When installing the battery cartridge while pulling the switch lever, the tool does not start.

To start the tool, first release the switch lever. Then pull the lock-off lever, and pull the switch lever.

## Electronic torque control function

The tool electronically detects situations where the wheel or accessory may be at risk to be bound. In the situation, the tool is automatically shut off to prevent further rotation of the spindle (it does not prevent kickback).

To restart the tool, switch off the tool first, remove the cause of sudden drop in the rotation speed, and then turn the tool on.

## Soft start feature

Soft start feature reduces starting reaction.

# ASSEMBLY

**CAUTION:** Always be sure that the tool is switched off and the battery cartridge is removed before adjusting or checking function on the tool.

## Installing side grip (handle)

**CAUTION:** Always be sure that the side grip is installed securely before operation.

Screw the side grip securely on the position of the tool as shown in the figure.

► **Fig.5**

## Installing or removing wheel guard

**⚠ WARNING:** When using a depressed center wheel, flap disc, flex wheel or wire wheel brush, the wheel guard must be fitted on the tool so that the closed side of the guard always points toward the operator.

**⚠ WARNING:** Make sure that the wheel guard is securely locked by the lock lever with one of the holes on the wheel guard.

**⚠ WARNING:** When using an abrasive cut-off / diamond wheel, be sure to use only the special wheel guard designed for use with cut-off wheels.

(In some European countries, when using a diamond wheel, the ordinary guard can be used. Follow the regulations in your country.)

### For depressed center wheel, flap disc, flex wheel, wire wheel brush / abrasive cut-off wheel, diamond wheel

1. While pushing the lock lever, mount the wheel guard with the protrusions on the wheel guard aligned with the notches on the bearing box.

► **Fig.6:** 1. Lock lever 2. Notch 3. Protrusion

2. While pushing the lock lever toward A, push in the wheel guard by holding down the portions B as shown in the figure.

► **Fig.7:** 1. Wheel guard 2. Hole

**NOTE:** Push down the wheel guard straight. Otherwise, you cannot push the wheel guard completely.

3. While keeping the lock lever and wheel guard position as described in step 2, rotate the wheel guard toward C, and then, change the angle of the wheel guard according to the work so that the operator can be protected. Align the lock lever with one of the holes in the wheel guard, and then release the lock lever to lock the wheel guard.

► **Fig.8:** 1. Wheel guard 2. Hole

**NOTE:** Push the wheel guard completely. Otherwise, you cannot rotate the wheel guard.

To remove wheel guard, follow the installation procedure in reverse.

### Installing or removing depressed center wheel or flap disc

#### Optional accessory

**⚠ WARNING:** When using a depressed center wheel or flap disc, the wheel guard must be fitted on the tool so that the closed side of the guard always points toward the operator.

**⚠ CAUTION:** Make sure that the mounting part of the inner flange fits into the inner diameter of the depressed center wheel / flap disc perfectly. Mounting the inner flange on the wrong side may result in the dangerous vibration.

Mount the inner flange onto the spindle.

Make sure to fit the dented part of the inner flange onto the straight part at the bottom of the spindle.

Fit the depressed center wheel / flap disc on the inner flange and screw the lock nut onto the spindle.

► **Fig.9:** 1. Lock nut 2. Depressed center wheel 3. Inner flange 4. Mounting part

To tighten the lock nut, press the shaft lock firmly so that the spindle cannot revolve, then use the lock nut wrench and securely tighten clockwise.

► **Fig.10:** 1. Lock nut wrench 2. Shaft lock

To remove the wheel, follow the installation procedure in reverse.

## Installing or removing flex wheel

#### Optional accessory

**⚠ WARNING:** Always use supplied guard when flex wheel is on tool. Wheel can shatter during use and guard helps to reduce chances of personal injury.

► **Fig.11:** 1. Lock nut 2. Flex wheel 3. Back up pad 4. Inner flange

Follow instructions for depressed center wheel but also use back up pad over wheel. See order of assembly on accessories page in this manual.

## Installing or removing abrasive disc

#### Optional accessory

► **Fig.12:** 1. Sanding lock nut 2. Abrasive disc 3. Rubber pad

1. Mount the rubber pad onto the spindle.

2. Fit the disc on the rubber pad and screw the sanding lock nut onto the spindle.

3. Hold the spindle with the shaft lock, and securely tighten the sanding lock nut clockwise with the lock nut wrench.

To remove the disc, follow the installation procedure in reverse.

**NOTE:** Use sander accessories specified in this manual. These must be purchased separately.

## Installing or removing Ezynut

#### Optional accessory

**⚠ CAUTION:** Do not use Ezynut with Super Flange or angle grinder with "F" on the end of the model No. Those flanges are so thick that the entire thread cannot be retained by the spindle.

► **Fig.13:** 1. Ezynut 2. Abrasive wheel 3. Inner flange 4. Spindle

Mount inner flange, abrasive wheel and Ezynut onto the spindle so that Makita Logo on Ezynut faces outside.

► **Fig.14:** 1. Shaft lock

Press shaft lock firmly and tighten Ezynut by turning the abrasive wheel clockwise as far as it turns.

Turn the outside ring of Ezynut counterclockwise to loosen.

► **Fig.15:** 1. Arrow 2. Notch

► **Fig.16**

**NOTE:** Ezynut can be loosened by hand as long as the arrow points the notch. Otherwise a lock nut wrench is required to loosen it. Insert one pin of the wrench into a hole and turn Ezynut counterclockwise.

## Installing abrasive cut-off / diamond wheel

### Optional accessory

**⚠ WARNING:** When using an abrasive cut-off / diamond wheel, be sure to use only the special wheel guard designed for use with cut-off wheels.

(In some European countries, when using a diamond wheel, the ordinary guard can be used. Follow the regulations in your country.)

**⚠ WARNING:** NEVER use cut-off wheel for side grinding.

- **Fig.17:** 1. Lock nut 2. Abrasive cut-off wheel / diamond wheel 3. Inner flange 4. Wheel guard for abrasive cut-off wheel / diamond wheel

As for the installation, follow the instructions for depressed center wheel.

**The direction for mounting the lock nut and the inner flange varies by wheel type and thickness.** Refer to the following figures.

**When installing the abrasive cut-off wheel:**

- **Fig.18:** 1. Lock nut 2. Abrasive cut-off wheel (Thinner than 4 mm (5/32")) 3. Abrasive cut-off wheel (4 mm (5/32") or thicker) 4. Inner flange

**When installing the diamond wheel:**

- **Fig.19:** 1. Lock nut 2. Diamond wheel (Thinner than 4 mm (5/32")) 3. Diamond wheel (4 mm (5/32") or thicker) 4. Inner flange

## Installing wire cup brush

### Optional accessory

**⚠ CAUTION:** Do not use brush that is damaged, or which is out of balance. Use of damaged brush could increase potential for injury from contact with broken brush wires.

- **Fig.20:** 1. Wire cup brush

Remove the battery cartridge from the tool and place it upside down allowing easy access to spindle. Remove any accessories on spindle. Thread wire cup brush onto spindle and tighten with supplied wrench.

## Installing wire wheel brush

### Optional accessory

**⚠ CAUTION:** Do not use wire wheel brush that is damaged, or which is out of balance. Use of damaged wire wheel brush could increase potential for injury from contact with broken wires.

**⚠ CAUTION:** ALWAYS use guard with wire wheel brushes, assuring diameter of wheel fits inside guard. Wheel can shatter during use and guard helps to reduce chances of personal injury.

- **Fig.21:** 1. Wire wheel brush

Remove the battery cartridge from the tool and place it upside down allowing easy access to spindle. Remove any accessories on spindle. Thread wire wheel brush onto spindle and tighten with the wrenches.

## OPERATION

**⚠ WARNING:** It should never be necessary to force the tool. The weight of the tool applies adequate pressure. Forcing and excessive pressure could cause dangerous wheel breakage.

**⚠ WARNING:** ALWAYS replace wheel if tool is dropped while grinding.

**⚠ WARNING:** NEVER bang or hit grinding disc or wheel onto work.

**⚠ WARNING:** Avoid bouncing and snagging the wheel, especially when working corners, sharp edges etc. This can cause loss of control and kickback.

**⚠ WARNING:** NEVER use tool with wood cutting blades and other saw blades. Such blades when used on a grinder frequently kick and cause loss of control leading to personal injury.

**⚠ CAUTION:** Never switch on the tool when it is in contact with the workpiece, it may cause an injury to operator.

**⚠ CAUTION:** Always wear safety goggles or a face shield during operation.

**⚠ CAUTION:** After operation, always switch off the tool and wait until the wheel has come to a complete stop before putting the tool down.

**⚠ CAUTION:** ALWAYS hold the tool firmly with one hand on housing and the other on the side grip (handle).

## Grinding and sanding operation

- **Fig.22**

Turn the tool on and then apply the wheel or disc to the workpiece.

In general, keep the edge of the wheel or disc at an angle of about 15° to the workpiece surface. During the break-in period with a new wheel, do not work the grinder in forward direction or it may cut into the workpiece. Once the edge of the wheel has been rounded off by use, the wheel may be worked in both forward and backward direction.

## Operation with abrasive cut-off / diamond wheel

### Optional accessory

**⚠ WARNING:** Do not "jam" the wheel or apply excessive pressure. Do not attempt to make an excessive depth of cut. Overstressing the wheel increases the loading and susceptibility to twisting or binding of the wheel in the cut and the possibility of kickback, wheel breakage and overheating of the motor may occur.

**⚠ WARNING:** Do not start the cutting operation in the workpiece. Let the wheel reach full speed and carefully enter into the cut moving the tool forward over the workpiece surface. The wheel may bind, walk up or kickback if the power tool is started in the workpiece.

**⚠ WARNING:** During cutting operations, never change the angle of the wheel. Placing side pressure on the cut-off wheel (as in grinding) will cause the wheel to crack and break, causing serious personal injury.

**⚠ WARNING:** A diamond wheel shall be operated perpendicular to the material being cut.

Usage example: operation with abrasive cut-off wheel

► Fig.23

Usage example: operation with diamond wheel

► Fig.24

## Operation with wire cup brush

### Optional accessory

**⚠ CAUTION:** Check operation of brush by running tool with no load, insuring that no one is in front of or in line with brush.

**NOTICE:** Avoid applying too much pressure which causes over bending of wires when using the wire cup brush. It may lead to premature breakage.

Usage example: operation with wire cup brush

► Fig.25

## Operation with wire wheel brush

### Optional accessory

**⚠ CAUTION:** Check operation of wire wheel brush by running tool with no load, insuring that no one is in front of or in line with the wire wheel brush.

**NOTICE:** Avoid applying too much pressure which causes over bending of wires when using wire wheel brush. It may lead to premature breakage.

Usage example: operation with wire wheel brush

► Fig.26

## MAINTENANCE

**⚠ CAUTION:** Always be sure that the tool is switched off and the battery cartridge is removed before attempting to perform inspection or maintenance.

**NOTICE:** Never use gasoline, benzine, thinner, alcohol or the like. Discoloration, deformation or cracks may result.

To maintain product SAFETY and RELIABILITY, repairs, any other maintenance or adjustment should be performed by Makita Authorized Service Centers, always using Makita replacement parts.

### Air vent cleaning

The tool and its air vents have to be kept clean. Regularly clean the tool's air vents or whenever the vents start to become obstructed.

► Fig.27: 1. Exhaust vent 2. Inhalation vent

Remove the dust cover from inhalation vent and clean it for smooth air circulation.

► Fig.28: 1. Dust cover

**NOTICE:** Clean out the dust cover when it is clogged with dust or foreign matters. Continuing operation with a clogged dust cover may damage the tool.

# OPTIONAL ACCESSORIES

**⚠ CAUTION:** These accessories or attachments are recommended for use with your Makita tool specified in this manual. The use of any other accessories or attachments might present a risk of injury to persons. Only use accessory or attachment for its stated purpose.

If you need any assistance for more details regarding these accessories, ask your local Makita Service Center.

- Makita genuine battery and charger

► Fig.29

	150 mm (6") model
-	
1	Grip 36
2	Wheel Guard (for grinding wheel)
3	Inner flange
4	Depressed center wheel / Flap disc
5	Lock nut
6	Back up pad
7	Flex wheel
8	Rubber pad 125
9	Abrasive disc
10	Sanding lock nut
11	Wire wheel brush
12	Wire cup brush
13	Wheel Guard (for cut-off wheel) *1
14	Abrasive cut-off wheel / Diamond wheel
-	Lock nut wrench

**NOTE:** \*1 In some European countries, when using a diamond wheel, the ordinary guard can be used instead of the special guard covering the both side of the wheel. Follow the regulations in your country.

**NOTE:** Some items in the list may be included in the tool package as standard accessories. They may differ from country to country.



## TEHNIČNI PODATKI

Model:		GA036G
Premer rezalne plošče		150 mm (6")
Največja debelina plošče		6,4 mm
Navoj vretena		M14 ali 5/8" (odvisno od države)
Nazivna hitrost (n)		8.500 min <sup>-1</sup>
Celotna dolžina	z BL4025	398 mm
	z BL4040	410 mm
Neto teža		3,1 – 3,7 kg
Nazivna napetost		D.C. 36 V – 40 V (najv.)

- Ker nenehno opravljamo raziskave in razvijamo svoje izdelke, se lahko tehnični podatki v tem dokumentu spremenijo brez obvestila.
- Tehnični podatki se lahko razlikujejo od države do države.
- Teža se lahko razlikuje glede na priključke, vključno z akumulatorsko baterijo. Najlažja in najtežja kombinacija v skladu s postopkom EPTA 01/2014 sta prikazani v preglednici.

### Uporabna akumulatorska baterija in polnilnik

Baterijski vložek	BL4025/BL4040
Polnilnik	DC40RA

- Nekatere zgoraj navedene akumulatorske baterije in polnilniki morda v vaši državi prebivališča niso na voljo.

**⚠ OPOZORILO:** Uporabljajte le zgoraj navedene akumulatorske baterije in polnilnike. Uporaba drugih akumulatorskih baterij in polnilnikov lahko povzroči telesne poškodbe in/ali požar.

### Predvidena uporaba

Stroj je namenjen brušenju, glajenju, žičnemu ščetkanju ter rezanju kovine in kamna brez uporabe vode.

### Hrup

Običajna A-ovrednotena raven hrupa v skladu z EN60745-2-3:  
 Raven zvočnega tlaka ( $L_{pA}$ ): 82 dB (A)  
 Raven zvočne moči ( $L_{WA}$ ): 93 dB (A)  
 Odstopanje (K): 3 dB (A)

**OPOMBA:** Navedene vrednosti oddajanja hrupa so bile izmerjene v skladu s standardnimi metodami testiranja in se lahko uporabljajo za primerjavo orodij.

**OPOMBA:** Navedene vrednosti oddajanja hrupa se lahko uporabljajo tudi pri predhodni oceni izpostavljenosti.

**⚠ OPOZORILO:** Uporabljajte zaščito za sluh.

**⚠ OPOZORILO:** Oddajanje hrupa med dejansko uporabo električnega orodja se lahko razlikuje od navedenih vrednosti, odvisno od načina uporabe orodja in predvsem vrste obdelovanca.

**⚠ OPOZORILO:** Upravitelj mora za lastno zaščito poznati varnostne ukrepe, ki temeljijo na oceni izpostavljenosti v dejanskih pogojih uporabe (poleg časa proženja je treba upoštevati celoten delovni cikel, vključno s časom, ko je orodje izklopljeno, in časom, ko deluje v prostem teku).

### Vibracije

Skupne vrednosti vibracij (vektorska vsota treh osi) v skladu z EN60745-2-3:

Delovni način: brušenje površin s običajnim stranskim držalom

Oddajanje tresljajev ( $a_{n,AG}$ ): 9,0 m/s<sup>2</sup>

Odstopanje (K): 1,5 m/s<sup>2</sup>

Delovni način: brušenje površin s antivibracijskim držalom

Oddajanje tresljajev ( $a_{n,AG}$ ): 9,0 m/s<sup>2</sup>

Odstopanje (K): 1,5 m/s<sup>2</sup>

Delovni način: peskanje s ploščo z običajnim stranskim držalom

Oddajanje tresljajev ( $a_{n,DS}$ ): 4,0 m/s<sup>2</sup>

Odstopanje (K): 1,5 m/s<sup>2</sup>

Delovni način: peskanje s ploščo z antivibracijskim držalom

Oddajanje tresljajev ( $a_{n,DS}$ ): 3,5 m/s<sup>2</sup>

Odstopanje (K): 1,5 m/s<sup>2</sup>

**OPOMBA:** Navedene skupne vrednosti oddajanja vibracij so bile izmerjene v skladu s standardnimi metodami testiranja in se lahko uporabljajo za primerjavo orodij.

**OPOMBA:** Navedene skupne vrednosti oddajanja vibracij se lahko uporabljajo tudi pri predhodni oceni izpostavljenosti.

**⚠️ OPOZORILO:** Oddajanje vibracij med dejansko uporabo električnega orodja se lahko razlikuje od navedenih vrednosti, odvisno od načina uporabe orodja in predvsem vrste obdelovanca.

**⚠️ OPOZORILO:** Upravitelj mora za lastno zaščito poznati varnostne ukrepe, ki temeljijo na oceni izpostavljenosti v dejanskih pogojih uporabe (poleg časa proženja je treba upoštevati celoten delovni cikel, vključno s časom, ko je orodje izklopljeno, in časom, ko deluje v prostem teku).

**⚠️ OPOZORILO:** Navedena vrednost oddajanja vibracij se uporablja za glavno uporabo električnega orodja. Vendar če električno orodje uporabljate za druge namene, se lahko vrednosti oddajanja vibracij razlikujejo.

## Izjava o skladnosti ES

### Samo za evropske države

Izjava ES o skladnosti je vključena v dodatku A, ki je priložen tem navodilom za uporabo.

## VARNOSTNA OPOZORILA

### Splošna varnostna opozorila za električno orodje

**⚠️ OPOZORILO:** Preberite vsa varnostna opozorila in navodila s slikami in tehničnimi podatki, ki so dobavljeni skupaj z električnim orodjem. Ob neupoštevanju spodaj navedenih navodil obstaja nevarnost električnega udara, požara in/ali hudih telesnih poškodb.

### Shranite vsa opozorila in navodila za poznejšo uporabo.

Izraz „električno orodje“ v opozorilih se nanaša na vaše električno orodje (s kablom) ali baterijsko električno orodje (brez kabla).

### Varnostna opozorila pri uporabi brezžičnega brusilnika

Varnostna opozorila za brušenje, glajenje, žično ščetkanje ali rezanje:

- 1. Kotni brusilnik je namenjen za brušenje, glajenje, žično ščetkanje ali rezanje. Preberite vsa varnostna opozorila in navodila s slikami in tehničnimi podatki, ki so dobavljeni skupaj z električnim orodjem.** Ob neupoštevanju spodaj navedenih navodil obstaja nevarnost električnega udara, požara in/ali hudih telesnih poškodb.
- 2. Kotni brusilnik ni primeren za poliranje.** Izvajanje opravil, za katere električno orodje ni bilo zasnovano, je nevarno in lahko povzroči hude telesne poškodbe.
- 3. Uporabljajte le nastavke, ki jih je posebej za to orodje zasnoval oz. jih priporoča proizvajalec.** Če je nastavek mogoče pritrčiti na električno orodje, to še ne pomeni, da je uporaba tega nastavka varna.

- 4. Nazivno število vrtljajev nastavka mora ustrezati vsaj največjemu številu vrtljajev, ki je označeno na električnem orodju.** Nastavek, ki se vrti hitreje od nazivnega števila vrtljajev, se lahko zlomi in razleti.
- 5. Zunanji premer in debelina nastavka morata ustrezati nazivni moči električnega orodja.** Nastavka neustrezne velikosti ni mogoče pravilno zavarovati s ščitniki ali ga povsem nadzorovati.
- 6. Pritrditev nastavkov z navoji se mora prilegati navojem vretena brusilnika.** Pri nastavkih, nameščenih s prirobnicami, se morajo osne luknje nastavkov natančno prilegati premeru prirobnice. Nastavkov, ki se ne ujemajo, ni mogoče ustrezno namestiti na električno orodje, kar lahko povzroči neuravnoteženost, čezmerno vibriranje in izgubo nadzora.
- 7. Ne uporabljajte poškodovanih nastavkov.** Pred vsako uporabo preverite nastavke (npr. plošče), če se morda niso odkrutili, če brusilni krožniki niso počeni, pretgnani ali čezmerno obrabljeni ali če so na žičnih ščetkah ohlapne ali počene žice. Če pade električno orodje ali nastavek na tla, preverite, če so nastale poškodbe, in po potrebi namestite nepoškodovani nastavek. Po pregledu in namestitvi nastavka se postavite izven ravnine vrenja nastavka in opozorite osebe v vaši bližini, naj se oddaljijo, ter vključite orodje in ga pustite teči eno minuto brez obremenitve. Med tem preizkusom poškodovani nastavki običajno počijo.
- 8. Uporabljajte osebna zaščitna sredstva.** Odvisno od dela, ki ga opravljate, uporabljajte zaščitno masko za obraz in oči ali zaščitna očala. Če je potrebno, uporabljajte zaščitno masko proti prahu, glušnike, rokavice ali predpasnik za zaščito pred drobcami materiala. Zaščita za oči mora zadržati leteče drobce, ki so prisotni pri različnih načinih dela. Protiprašna maska ali maska za zaščito dihal mora zadržati prah, ki nastaja med delom. Izpostavljanje hrupu lahko povzroči izgubo sluha.
- 9. Pri delu poskrbite, da bodo druge osebe varno oddaljene od delovnega območja.** V delovno območje lahko vstopajo samo osebe z ustrezno osebno zaščitno opremo. Leteči drobci materiala obdelovanca ali počenega nastavka so nevarni in lahko povzročijo poškodbe tudi izven delovnega območja.
- 10. Če obstaja nevarnost, da bi z rezalnim orodjem prerezali skrito električno napeljavo, držite električno orodje samo na izoliranih drzlnih površinah.** Če pride do stika z vodniki pod napetostjo, so pod napetostjo vsi neizolirani kovinski deli električnega orodja, zaradi česar lahko uporabnik utrpi električni udar.
- 11. Ne odlagajte električnega orodja iz rok, dokler se nameščen nastavek ne neha vrteti.** Nastavek, ki se še vedno vrti, lahko pride v stik z odlagalno površino in povzroči izgubo nadzora nad električnim orodjem.
- 12. Ne puščajte električnega orodja vključenega brez nadzora.** Vrteči se nastavek se lahko nepričakovano zaplete v vašo obleko in vas poškoduje.
- 13. Redno čistite hladilne reže električnega orodja.** Ventilator motorja vsesava v ohišje prah, ki povzroča škodljivo kopičenje prahu in s tem nevarnost električne okvare.

14. **Ne uporabljajte električnega orodja v bližini gorljivih snovi.** Gorljive snovi se lahko vnamejo zaradi iskenja.
15. **Ne uporabljajte nastavkov, ki so predvideni za uporabo s tekočim hladilnim sredstvom.** Uporaba vode ali drugih tekočin za hlajenje lahko povzroči električni udar.

#### **Opozorila v zvezi s povratnim udarcem**

Povratni udarec je nenadna reakcija, če se stisne ali zagodi vrteča se plošča, brusilni krožnik, ščetka ali drug nastavek. Blokada ali zagodenje namreč povzroči hitro zaustavitev vrtečih se delov orodja, pri čemer električno orodje sune v obratno smer od smeri gibanja vrtečih se delov.

Če pride na primer do blokade abrazivne plošče v obdelovancu, lahko rob v točki zagozdenja zareže v površino, pri tem pa nastala sila rezalno ploščo odbije od materiala. Rezalna plošča lahko odskoči bodisi proti vam ali v nasprotni smeri, kar je odvisno od smeri vodenja rezalne plošče v točki zagozdenja. Abrazivna plošča se lahko pod temi pogoji tudi zlomi.

Povratni udarec je posledica nestrokovnega ravnanja z električnim orodjem ali neugodnih okoliščin. Preprečite ga lahko z upoštevanjem spodaj navedenih opozoril.

1. **Električno orodje držite s trdnim prijemom in se postavite v takšen položaj, da lahko prestrežete sile povratnega udarca. Če je na električno orodje mogoče namestiti dodatni ročaj, ga tudi uporabljajte, saj vam omogoča najboljši nadzor nad povratnimi udarci ali reakcijskim vrtilnim momentom.** Reakcijske vrtilne momente ali povratne udarce je mogoče učinkovito preprečiti z upoštevanjem previdnostnih ukrepov.
2. **Ne približujte rok vrtečim se delom električnega orodja.** Nameščeni nastavek lahko udari nazaj prek vaše roke.
3. **S telesom se postavite stran od smeri, v katero orodje lahko skoči v primeru, da pride do povratnega udarca.** Povratni udarec sunkovito potisne orodje v nasprotni smeri vrtenja rezalne plošče v točki zagozdenja.
4. **Pri obdelavi vogalov, ostrih robov ipd. je potrebna večja previdnost. Izogibajte se položajem, v katerih lahko orodje odskoči iz obdelovanca ali se zagodi.** V vogalih in na ostrih robovih obstaja povečana nevarnost povratnega sunka ali zagozdenja nastavka. Posledica tega je lahko izguba nadzora ali povratni udarec.
5. **Ne uporabljajte veržnih ali nazobčanih žaganih listov.** Tovrstna orodja pogosto povzročijo povratni udarec ali izgubo nadzora nad električnim orodjem.

#### **Varnostna opozorila pri izvajanju brušenja in rezanja:**

1. **Uporabljajte samo plošče, ki jih za vaše orodje in ščitnik posebej priporoča proizvajalec.** Plošče, ki niso posebej namenjene za delo z vašim orodjem, ni možno ustrezno namestiti, zato je njihova uporaba lahko nevarna.
2. **Površino za brušenje plošč z ugreznjenim centrom je treba namestiti pod ploskvo ščitnika.** Nepravilno nameščene plošče, ki gleda prek ravnine ščitnika, ni mogoče zadostno zaščititi.

3. **Za zagotavljanje maksimalne varnosti pri delu mora biti ščitnik rezila pravilno nameščen in tako ustrezno zakrivati kar največ plošče na delu, obrnjenem proti uporabniku.** Ščitnik varuje uporabnika pred izmetom odlomljenih delcev in stikom s ploščo ter iskenja, ki lahko povzroči vžig oblačil.
4. **Rezalne plošče se lahko uporabljajo le za priporočene naprave. Primer: ne uporabljajte jih za brušenje s stransko ploskvijo.** Namenjene so brušenju z robom rezila. Pri izvajanju bočne sile na rezalno ploščo lahko ta poči.
5. **Uporabljajte samo nepoškodovane prirobnice plošč, ki po dimenziji in obliki ustrezajo uporabljeni plošči.** Ustrezne prirobnice podpirajo ploščo in zmanjšujejo nevarnost zloma plošče. Prirobnice za rezalne plošče se lahko razlikujejo od prirobnic plošč.
6. **Ne uporabljajte izrabljenih rezalnih plošč, ki ste jih predhodno uporabljali na večjih električnih orodjih.** Plošče večjih električnih orodij niso primerne za višje število obratov na manjših orodjih in lahko zato počijo.

#### **Dodatna varnostna opozorila pri izvajanju brušenja in rezanja:**

1. **Rezalne plošče ne „blokirate“ ali preobremenjujte. Ne skušajte narediti preglobokih rezov.** Preobremenjevanje plošče povečuje možnost zvijanja ali zagozdenja plošče v obdelovancu ter s tem možnost povratnega udarca ali zloma plošče.
2. **Ne postavljajte se v položaje, v katerih ste v primeru povratnega udarca lahko izpostavljeni sunku električnega orodja.** Ko se plošča med delovanjem premika stran od vašega telesa, lahko eventualni povratni udarec potisne vrtečo se ploščo in električno orodje neposredno v upravljalca.
3. **Če je rezalna plošča ovirana ali če iz katerega koli razloga rezanje prekinete, držite električno orodje pri miru, dokler se rezalna plošča popolnoma ne ustavi. Nikoli ne skušajte odstraniti rezalne plošče iz obdelovanca, dokler se plošča še vrti.** Preverite in odpravite vzrok oviranja rezalne plošče.
4. **Rezanja ne začnite ponovno v obdelovancu. Najprej počakajte, da plošča doseže polno hitrost, nato pa pazljivo začnite ponovno rezati.** Če začnete z rezanjem v obdelovancu, se lahko rezalna plošča zagodi, lahko pa pride tudi do povratnega udarca.
5. **Pod plošče in velike obdelovance postavite podporo, da zmanjšate možnost zagozdenja rezalne plošče ali povratnega udarca.** Veliki obdelovanci se lahko zaradi lastne teže povesijo. Pod obdelovance je treba poleg linije reza in poleg roba obdelovanca na obeh straneh plošče postaviti podporo.
6. **Bodite še posebej pozorni, ko v obstoječe zidove ali druge slepe točke izvajate „slepe reze“.** Rezalna plošča lahko zadene v plinske, vodovodne ali električne napeljave ali predmete, ki lahko povzročijo povratni udarec.

#### **Varnostna opozorila za brušenje:**

1. **Ne uporabljajte prevelikega brusnega papirja. Pri izbiri brusnega papirja upoštevajte priporočila proizvajalca.** Večji brusni papir, ki sega prek brusilne blazinice, predstavlja nevarnost pretrga in lahko povzroči zagozditev, trganje ali povratni udarec rezalne plošče.

## Varnostna opozorila za žično ščetkanje:

1. Žice ščetke lahko med delovanjem odpadajo. Ne izvajajte čezmernega pritiska na žice, da jih ne preobremenite. Žice ščetke enostavno prodrejo v lahka oblačila in/ali kožo.
2. Če je za žično ščetkanje priporočena uporaba ščitnika zagotovite, da se žična plošča ali ščetka ne dotika ščitnika. Zaradi obremenitev in centrifugalnih sil se lahko poveča premer žične plošče ali ščetke.

## Dodatna varnostna opozorila:

1. Pri uporabi brusilne plošče z ugreznjenim centrom vedno uporabljajte samo posebej ojačene plošče s steklenimi vlakni.
2. S tem brusilnikom NIKOLI NE UPORABLJAJTE plošč za rezanje kamna. Na brusilnik ni namenjen za uporabo s temi vrstami plošč, saj lahko povzročijo hude telesne poškodbe.
3. Pazite, da ne poškodujete vretena, prirobnice (še posebej na delu, kjer se stika z orodjem) ali zaskočne matice. Poškodba teh delov lahko povzroči zlom plošče.
4. Ko zaženete napravo, brusni nastavek ne sme biti v stiku z obdelovancem.
5. Pred začetkom dela na obdelovancu pustite orodje delovati nekaj časa v prostem teku. Bodite pozorni na morebitne vibracije ali tresljaje, ki bi lahko nakazovali na nepravilno nameščeno oziroma slabo centrirano ploščo.
6. Za brušenje uporabljajte brusni nastavek z ustrezno brusilno površino.
7. Orodja ne pustite delovati brez nadzora. Dovoljeno ga je uporabljati samo ročno.
8. Takoj po končani obdelavi se ne dotikajte obdelovanca; ta je lahko zelo vroč in lahko povzroči opekline kože.
9. Ne dotikajte se dodatne opreme takoj po koncu obdelave, saj je lahko zelo vroča in vas lahko opeče.
10. Za pravilno namestitvev in uporabo plošč sledite navodilom proizvajalca. Skrbno ravnajte s ploščami in jih pravilno shranjujte.
11. Ne uporabljajte puš ali adapterjev za prilagoditev velikosti lukenj plošč.
12. Uporabljajte samo prirobnice, ki jih posebej za vaše orodje priporoča proizvajalec.
13. Pri orodjih z navojem preverite, če je navoj plošče primerno dolg, da zajame celotno dolžino vretena.
14. Poskrbite za ustrezno podporo obdelovanca.
15. Preverite, če se plošča vrti tudi potem, ko ste orodje že izklopili.
16. Če je v delovnem prostoru zelo vroče in vlažno ali pa je ta poln prevodnega prahu, uporabite stikalo za diferenčni tok (30 mA) in tako zagotovite varnost upravljalca.
17. Orodja ne uporabljajte na materialih, ki vsebujejo azbest.
18. Ko uporabljate rezalne plošče, jih vedno uporabljajte s ščitnikom za zbiranje prahu, kot zahtevajo lokalni predpisi.
19. Na rezalne plošče ne izvajajte bočnega pritiska.

20. Pri delu ne uporabljajte tekstilnih delovnih rokavic. Vlakna iz tekstilnih rokavic lahko prodrejo v orodje, zaradi česar se lahko orodje poškoduje.
21. Prepričajte se, da v bližini ni električnih kablov, vodovodnih cevi, plinskih cevi in drugih elementov, ki bi predstavljali nevarnost, če bi jih poškodovali z orodjem.

## SHRANITE TA NAVODILA.

**⚠ OPOZORILO:** NE dovolite, da bi zaradi udobnejšega dela ali znanja o uporabi izdelka (pridobljenega z večkratno uporabo) opustili strogo upoštevanje varnostnih zahtev v okviru pravilne uporabe orodja. ZLORABA ali neupoštevanje varnostnih zahtev v teh navodilih za uporabo lahko povzroči resne telesne poškodbe.

## Pomembna varnostna navodila za akumulatorsko baterijo

1. Pred uporabo baterijskega vložka preberite vsa navodila in opozorilne oznake na (1) polnilniku akumulatorja, (2) akumulatorju in (3) izdelku, ki uporablja akumulator.
2. Ne razstavljajte ali spreminjajte akumulatorske baterije. S tem lahko povzročite požar, prekomerno vročino ali eksplozijo.
3. Če se je čas delovanja občutno skrajšal, takoj prenehajte uporabljati orodje. V nasprotnem primeru lahko pride do pregretja, morebitnih opeklin in celo eksplozije.
4. Če pride elektrolit v stik z očmi, jih sperite s čisto vodo in takoj poiščite zdravniško pomoč. Posledica je lahko izguba vida.
5. Ne povzročite kratkega stika baterijskega vložka:
  - (1) Ne dotikajte se priključkov s kakršnim koli prevodnim materialom.
  - (2) Izogibajte se shranjevanju baterijskega vložka v vsebniku z drugimi kovinskimi predmeti kot so želji, kovanci itn.
  - (3) Ne izpostavljajte baterijskega vložka vodi ali dežju.Kratek stik akumulatorja lahko povzroči velik električni tok, pregrevanje, morebitne opekline in celo okvaro.
6. Ne shranjujte in uporabljajte orodja in akumulatorske baterije na mestih, kjer lahko temperatura doseže ali preseže 50 °C (122 °F).
7. Ne sežigajte baterijskega vložka, tudi če je hudo poškodovan ali v celoti izpraznjen. Baterijski vložek lahko v ognju eksplodira.
8. Ne pribijajte, režite, drobite, mečite, spuščajte akumulatorske baterije oziroma ne udarjajte z akumulatorsko baterijo po trdem predmetu. Takšno ravnanje lahko povzroči požar, prekomerno vročino ali eksplozijo.
9. Ne uporabljajte poškodovanih akumulatorjev.
10. Priložene litij-ionske baterije ustrezajo zahtevam zakonodaje v zvezi z nevarnim blagom. Za komercialne prevoze, npr. tiste, ki jih opravljajo tretje stranke in carinski posredniki, je treba upoštevati posebne zahteve v zvezi z embalažo in označevanjem.

Med postopkom priprave na odpremo izdelka se je treba posvetovati s strokovnjakom za nevarne snovi. Pri tem upoštevajte tudi podrobnejše nacionalne predpise.

Odprte stike oblepite z lepilnim trakom ali jih drugače zaščitite, baterijo pa zapakirajte tako, da se v embalaži ne more premikati.

11. **Ko odstranjujete akumulatorsko baterijo, jo vzemite iz orodja in varno zavržite. Upoštevajte lokalne uredbe glede odlaganja baterije.**
12. **Baterije uporabljajte le z izdelki, ki jih določi Makita.** Če namestite baterije v neskladne izdelke, lahko pride do požara, pregrevanja, eksplozije ali puščanja elektrolita.
13. **Če orodja dlje časa ne uporabljate, morate iz njega odstraniti baterijo.**
14. **Med uporabo in po uporabi lahko akumulatorska baterija postane vroča in povzroči opekline. Z vročimi akumulatorskimi baterijami ravnajte pazljivo.**
15. **Ne dotikajte se priključka orodja takoj po uporabi, ker se lahko dovolj segreje, da povzroči opekline.**
16. **Ne dovolite, da bi se v priključke, odprtine in utore akumulatorske baterije zlepile ostužki, prah ali zemlja.** Umazanija lahko povzročijo slabše delovanje ali okvaro orodja oziroma akumulatorske baterije.
17. **Razen če orodje podpira uporabo v bližini visokonapetostnih električnih vodov, akumulatorske baterije ne uporabljajte v bližini visokonapetostnih električnih vodov.** Takšna uporaba lahko povzroči motnje v delovanju ali okvaro orodja oziroma akumulatorske baterije.
18. **Baterijo hranite izven dosega otrok.**

## SHRANITE TA NAVODILA.

**⚠️ POZOR:** Uporabljajte le originalne baterije Makita. Če uporabljate neoriginalne baterije Makita ali baterije, ki so bile spremenjene, lahko pride do eksplozije baterije in posledično do požara, telesnih poškodb ali materialne škode. S takšno uporabo boste tudi razveljavili garancijo Makita za orodje in polnilnik Makita.

## Nasveti za ohranjanje največje zmogljivosti akumulatorja

1. **Napolnite baterijski vložek, preden se v celoti izprazni. Ko opazite, da ima orodje manjšo moč, vedno ustavite delovanje orodja in napolnite baterijski vložek.**
2. **Nikoli znova ne polnite popolnoma napolnjenega baterijskega vložka. Prenapolnjenje skrajša življenjsko dobo akumulatorja.**
3. **Baterijski vložek s sobno temperaturo napolnite pri temperaturi okolja od 10 °C do 40 °C. Počakajte, da se vroč baterijski vložek pred polnjenjem ohladi.**
4. **Ko akumulatorske baterije ne uporabljate, jo odstranite iz orodja ali polnilnika.**
5. **Če baterijskega vložka ne uporabljate dalj časa (več kot 6 mesecev), ga napolnite.**

## OPIS DELOVANJA

**⚠️ POZOR:** Pred nastavljanjem ali preizkusom delovanja orodja se prepričajte, ali je orodje izključeno in ali je akumulatorska baterija odstranjena.

## Nameščanje ali odstranjevanje akumulatorske baterije

**⚠️ POZOR:** Vedno izklopite orodje, preden namestite ali odstranite akumulatorsko baterijo.

**⚠️ POZOR:** Kadar nameščate ali odstranjujete akumulatorsko baterijo, trdno držite orodje in akumulatorsko baterijo. Če orodja in akumulatorske baterije ne držite trdno, se lahko zgodi, da vam zdrsneta iz rok, posledica pa je lahko poškodba orodja in akumulatorske baterije ter telesna poškodba.

► **SI.1:** 1. Rdeči indikator 2. Gumb 3. Baterijski vložek

Če želite odstraniti akumulatorsko baterijo, jo potisnite iz orodja, pri tem pa pomikajte gumb na sprednji strani vložka.

Akumulatorsko baterijo vstavite tako, da poravnate jeziček na bateriji z utorom na ohišju in jo potisnete v ležišče. Potisnite jo do konca, da se zaskoči. Če je rdeči indikator na zgornji strani gumba viden, pomeni, da baterija ni ustrezno zaklenjena.

**⚠️ POZOR:** Vedno namestite akumulatorsko baterijo tako, da rdeči indikator ni več viden. Če tega ne upoštevate, lahko baterija nepričakovano pade iz orodja in poškoduje vas ali osebe v neposredni bližini.

**⚠️ POZOR:** Ne nameščajte akumulatorske baterije s silo. Če se akumulatorska baterija ne zaskoči zlahka, ni pravilno vstavljena.

## Prikazuje preostalo raven napoljenosti akumulatorja

Pritisnite gumb za preverjanje na baterijskem vložku, da preverite raven napoljenosti akumulatorja. Indikatorske lučke na kratko zasvetijo.

► **SI.2:** 1. Indikatorske lučke 2. Gumb za preverjanje

Indikatorske lučke			Prikaz preostale ravni napoljenosti
Sveti	Ne sveti	Utropa	
■	□	▤	od 75 % do 100 %
■	■	□	od 50 % do 75 %
■	□	□	od 25 % do 50 %
■	□	□	od 0 % do 25 %
▤	□	□	Napolnite akumulator.
■	■	□	Akumulator je morda okvarjen.
□	□	■	

**OPOMBA:** Odvisno od pogojev uporabe in okoljske temperature se označba lahko nekoliko razlikuje od dejanske napolnjenosti.

**OPOMBA:** Prva opozorilna lučka (skrajno levo) bo utripala, ko sistem za zaščito akumulatorja deluje.

## Zaščitni sistem orodja/akumulatorja

Orodje je opremljeno z zaščitnim sistemom za orodje/akumulator. Sistem samodejno prekine napajanje orodja, da podaljša življenjsko dobo orodja in akumulatorja. Orodje se samodejno zaustavi med delovanjem, če orodje ali akumulator delujeta pod naslednjimi pogoji:

### Zaščita pred preobremenitvijo

Kadar orodje/akumulator uporabljate na način, ki povzroča uporabo neobičajno visokega toka, se orodje samodejno ustavi brez kakršnih koli znakov. V tem primeru izklopite orodje in prekinite delo, ki je povzročilo preobremenitev orodja. Nato vklopite orodje, da ga znova zaženete.

### Zaščita pred pregrevanjem

Če se orodje/akumulator pregreje, se orodje samodejno ustavi. Počakajte, da se orodje ohladi, preden ga znova vklopite.

### Zaščita pred izpraznjenjem

Ko je zmogljivost akumulatorja prenizka, se orodje samodejno ustavi. V tem primeru odstranite akumulator iz orodja in ga napolnite.

### Sproščanje zaščitne zapore

Če zaščitni sistem deluje neprekinjeno, je orodje zaklenjeno.

V tem primeru se orodje ne zažene, tudi če ga izklopite in znova vklopite. Za sprostitve zaščitne zapore odstranite akumulator, nastavite ga na polnilnik akumulatorja in počakajte, dokler se polnjenje ne zaključi.

### Zapora vretena

Pritisnite zaporo vretena, da preprečite vrtenje med nameščanjem ali odstranjevanjem nastavka.

► **Sl.3:** 1. Zapora vretena

**OBVESTILO:** Nikoli ne sprožite zapore vretena, ko se to premika. Orodje se lahko poškoduje.

## Delovanje stikala

**⚠ POZOR:** Preden namestite akumulatorsko baterijo v orodje, se vedno prepričajte, da je preklonpa ročica brezhibna in da se vrača v položaj za izklop, ko jo spustite.

**⚠ POZOR:** Za vašo varnost je orodje opremljeno z ročico za zaklep, ki preprečuje nenamerni zagon orodja. **NIKOLI** ne uporabljajte orodja, kadar začne delovati, če hkrati s preklonpo ročico ne povlečete tudi sprostilne ročice. **PRED** nadaljnjo uporabo orodje vrnite na pooblaščen servisni center, da ga ustrezno popravijo.

**⚠ POZOR:** Preklonpe ročice ne vlecite močno, ne da bi pri tem povlekli sprostilno ročico. Stikalo se namreč lahko zlomi.

**⚠ POZOR:** **NIKOLI** ne zalepite ročice za zaklep ali onemogočite njenega delovanja in funkcije.

► **Sl.4:** 1. Ročica za zaklep 2. Preklonpa ročica

Za preprečevanje nenamernega vklopa preklonpe ročice je nameščena sprostilna ročica.

Za zagon orodja hkrati povlecite sprostilno ročico proti upravljavcu, nato pa povlecite preklonpo ročico.

Spustite preklonpo ročico, da ustavite orodje.

## Funkcija za preprečevanje nenamernega ponovnega zagona

Ko nameščate akumulatorsko baterijo, medtem ko vlečete preklonpo ročico, se orodje ne zažene. Za zagon orodja najprej spustite preklonpo ročico. Potem povlecite ročico za zaklep in nato še preklonpo ročico.

## Funkcija elektronskega nadzora navora

Orodje elektronsko zazna, kdaj obstaja tveganje, da se plošča ali dodatna oprema zagozdi. V teh primerih se orodje samodejno izklopi, da se prepreči nadaljnje vrtenje vretena (ne prepreči povratnega udarca). Za ponovni zagon orodja ga najprej izklopite, odstranite razlog nenadnega znižanja hitrosti vrtenja in nato vklopite orodje.

## Funkcija mehkega zagona

Funkcija mehkega zagona omili reakcijo pri vžigu.

## MONTAŽA

**⚠ POZOR:** Pred nastavljanjem ali preizkusom delovanja orodja se prepričajte, ali je orodje izključeno in ali je akumulatorska baterija odstranjena.

## Nameščanje stranskega ročaja (ročaj)

**⚠ POZOR:** Pred uporabo se vedno prepričajte, da je stranski ročaj varno nameščen.

Trdno privijte stranski ročaj na orodje, kot je prikazano na sliki.

► **Sl.5**

## Namestitev ali odstranitev ščitnika za plošče

**⚠ OPOZORILO:** Kadar uporabljate rezalno ploščo z ugreznjenim centrom, zaporno ploščo, mehko rezalno ploščo ali ploščato žično ščetko, je treba ščitnik namestiti na orodje tako, da je zaprta stran ščitnika vedno obrnjena proti upravljavcu.

**⚠ OPOZORILO:** Preverite, ali je ščitnik za plošče trdno zaklenjen, tako da je zaklepna ročica v eni od lukenj na ščitniku za plošče.

**⚠ OPOZORILO:** Ko uporabljate abrazivne rezalne/diamantne plošče, uporabljajte samo posebni ščitnik, narejeno za uporabo z rezalnimi ploščami.

(V nekaterih evropskih državah lahko med uporabo diamantne rezalne plošče uporabljate običajni ščitnik. Upošteвайте predpise v vaši državi.)

## Za plošče z ugreznjenim centrom, zaporne plošče, mehke rezalne plošče, ploščate žične ščetke/ abrazivne rezalne plošče, diamantne rezalne plošče

1. Ko pritisnete zaklepno ročico, namestite ščitnik za plošče tako, da so izbokline na ščitniku za plošče poravnane z zarezi na ležajnem ohišju.

► **SI.6:** 1. Zaklepna ročica 2. Zareza 3. Izboklina

2. Ko pritisnete zaklepno ročico proti točki A, potisnite ščitnik za plošče tako, da pritisnete točke B, kot je označeno na sliki.

► **SI.7:** 1. Ščitnik za plošče 2. Odprtina

**OPOMBA:** Ščitnik za plošče potisnite naravnost navzdol. V nasprotnem primeru ščitnika za plošče ne morete potisniti do konca.

3. Medtem ko držite zaklepno ročico in ščitnik za plošče v položaju, ki je opisan v koraku 2, zavrtite ščitnik za plošče proti točki C in nato spremenite kot ščitnika za ploščo glede na vrsto dela, da omogočite zaščito za upravljavca. Zaklepno ročico poravnajte z eno od odprtin na ščitniku za ploščo in nato izpusnite zaklepno ročico, da zablokirate ščitnik za ploščo.

► **SI.8:** 1. Ščitnik za plošče 2. Odprtina

**OPOMBA:** Ščitnik za plošče potisnite do konca. V nasprotnem primeru ščitnika za plošče ne morete zavrteti.

Za odstranjevanje ščitnika za plošče izvedite postopek namestitve v obratnem vrstnem redu.

## Nameščanje ali odstranjevanje rezalne plošče z ugreznjenim centrom ali zaporne plošče

### Dodatna oprema

**⚠ OPOZORILO:** Kadar uporabljate rezalno ploščo z ugreznjenim centrom ali zaporno ploščo, je treba ščitnik namestiti na orodje tako, da je zaprta stran ščitnika vedno obrnjena proti upravljavcu.

**⚠ POZOR:** Nastavek notranje prirobnice se mora povsem ujemati z notranjim premerom plošče z ugreznjenim centrom ali zaporno ploščo. Namestitev notranje prirobnice na napačno stran lahko povzroči nevarne vibracije.

Notranjo prirobnico namestite na vreteno.

Pazite, da pritrudite udrti del notranje prirobnice na ravni del na dnu vretena.

Namestite ploščo z ugreznjenim centrom ali zaporno ploščo na notranjo prirobnico in privijte zaskočno matico na vreteno.

► **SI.9:** 1. Zaskočna matica 2. Plošča z ugreznjenim centrom 3. Notranja prirobnica 4. Nastavek

Za zategovanje zaskočne matice trdno pritisnite zaporo vretena, da se vreteno ne more vrteti, nato pa uporabite ključ za zaskočno matico in trdno privijte v smeri urnega kazalca.

► **SI.10:** 1. Ključ za zaskočno matico 2. Zapora vretena

Za odstranjevanje plošče izvedite postopek namestitve v obratnem vrstnem redu.

## Namestitev ali odstranitev mehke rezalne plošče

### Dodatna oprema

**⚠ OPOZORILO:** Kadar je na orodju mehka rezalna plošča, vedno uporabljajte priloženi ščitnik. Ščitnik uporabnika varuje pred rezalno ploščo, ki se lahko med delom razleti.

► **SI.11:** 1. Zaskočna matica 2. Mehka rezalna plošča 3. Podporna blazinica 4. Notranja prirobnica

Upošteвайте navodila za rezalne plošče z ugreznjenim centrom, vendar na ploščo namestite tudi podporo blazinico. Vrstni red sestavljanja najdete na strani s priborom v tem priročniku.

## Namestitev ali odstranitev brusne plošče

### Dodatna oprema

► **SI.12:** 1. Zaskočna matica za brušenje 2. Brusna plošča 3. Gumeni nastavek

1. Namestite gumeni nastavek na vreteno.

2. Namestite ploščo na gumeni nastavek in privijte zaskočno matico na vreteno.

3. Zadržite vreteno z zaporo vretena in čvrsto privijte zaskočno matico za brušenje v smeri urnega kazalca s ključem za zaskočno matico.

Za odstranjevanje plošče izvedite postopek namestitve v obratnem vrstnem redu.

**OPOMBA:** Uporabite ustrezni komplet za glajenje, naveden v navodilih za uporabo. Komplet ni priložen orodju, temveč ga je treba dokupiti.

## Nameščanje ali odstranjevanje matice Ezynut

### Dotatna oprema

**⚠️ POZOR:** Matice Ezynut ne uporabljajte s super-prirobnico ali kotnim brusilnikom s končnico „F“ v številki modela. Te prirobnice so tako debele, da ni mogoče priviti celotnega navoja v vreteno.

- **SI.13:** 1. Matica Ezynut 2. Abrazivna rezalna plošča 3. Notranja prirobnica 4. Vreteno

Namestite notranjo prirobnico, abrazivno rezalno ploščo in matico Ezynut na vreteno, tako da je logotip Makita na matici Ezynut obrnjen navzven.

- **SI.14:** 1. Zapora vretena

Močno pritisnite zaporo vretena in privijte matico Ezynut, tako da zavrtite abrazivno rezalno ploščo v desno do omejila.

Za odvitje zavrtite zunanji obroč matice Ezynut v levo.

- **SI.15:** 1. Puščica 2. Zareza

- **SI.16**

**OPOMBA:** Matico Ezynut lahko odvijete z roko, če je puščica poravnana z zarezo. Sicer boste za odvijanje potrebovali ključ za zaskočno matico. Vstavite en krak ključa v odprtino in zavrtite matico Ezynut v levo.

## Namestitev abrazivnih rezalnih/diamantnih rezalnih plošč

### Dotatna oprema

**⚠️ OPOZORILO:** Ko uporabljate abrazivne rezalne/diamantne plošče, uporabljajte samo posebni ščitnik, narejeno za uporabo z rezalnimi ploščami.

(V nekaterih evropskih državah lahko med uporabo diamantne rezalne plošče uporabljate običajni ščitnik. Upoštevajte predpise v vaši državi.)

**⚠️ OPOZORILO:** NIKOLI ne uporabljajte rezalne plošče za bočno brušenje.

- **SI.17:** 1. Zaskočna matica 2. Abrazivna rezalna plošča/diamantna plošča 3. Notranja prirobnica 4. Ščitnik za abrazivno/diamantno rezalno ploščo

Kot pri nameščanju tudi tukaj upoštevajte navodila za rezalno ploščo z ugreznjenim centrom.

**Smer za namestitev zaskočne matice in notranje prirobnice se razlikuje glede na tip in debelino plošče.** Glejte spodaj navedene številke.

**Pri nameščanju abrazivne rezalne plošče:**

- **SI.18:** 1. Zaskočna matica 2. Abrazivna rezalna plošča (tanjša od 4 mm) 3. Abrazivna rezalna plošča (debelina 4 mm ali več) 4. Notranja prirobnica

**Pri nameščanju diamantne rezalne plošče:**

- **SI.19:** 1. Zaskočna matica 2. Diamantna rezalna plošča (tanjša od 4 mm) 3. Diamantna rezalna plošča (debelina 4 mm ali več) 4. Notranja prirobnica

## Namestitev lončaste žične ščetke

### Dotatna oprema

**⚠️ POZOR:** Ne uporabljajte poškodovane ali izrabljene lončaste žične ščetke. Uporaba poškodovane ščetke predstavlja nevarnost poškodb, ki lahko nastanejo zaradi stika z zlomljenimi žicami.

- **SI.20:** 1. Lončasta žična ščetka

Odstranite akumulatorsko baterijo iz orodja in jo obrnite na glavo, s čimer omogočite preprost dostop do vretena.

Z vretena nato odstranite vse nastavke. Na vreteno namestite lončasto žično ščetko in jo privijte s priloženim ključem.

## Namestitev ploščate žične ščetke

### Dotatna oprema

**⚠️ POZOR:** Ne uporabljajte poškodovane ali izrabljene ploščate žične ščetke. Uporaba poškodovane ploščate žične ščetke predstavlja nevarnost poškodb, ki lahko nastanejo zaradi stika z zlomljenimi žicami.

**⚠️ POZOR:** Pri uporabi ploščatih žičnih ščetk **VEDNO** namestite ustrezen ščitnik in pri tem nastavite primerno oddaljenost. Ščitnik uporabnika varuje pred rezalno ploščo, ki se lahko med delom razleti.

- **SI.21:** 1. Ploščata žična ščetka

Odstranite akumulatorsko baterijo iz orodja in jo obrnite na glavo, s čimer omogočite preprost dostop do vretena.

Z vretena nato odstranite vse nastavke. Na vreteno namestite ploščato žično ščetko in jo privijte s priloženim ključem.

## UPRAVLJANJE

**⚠️ OPOZORILO:** Nikoli ni potrebno pritiskati orodja. Teža orodja zagotavlja zadosten pritisk. Prisilno in čezmerno pritiskanje lahko povzroči nevaren zlom plošče.

**⚠️ OPOZORILO:** VEDNO zamenjajte ploščo, če vam orodje med brušenjem pade na tla.

**⚠️ OPOZORILO:** NIKOLI ne udarjajte s ploščo po obdelovancu.

**⚠️ OPOZORILO:** Preprečite poskakovanje in zagozdenje plošče, zlasti med obdelovanjem kotov, ostrih robov itd. To lahko povzroči izgubo nadzora in povratni udarec.

**⚠️ OPOZORILO:** NIKOLI ne uporabljajte orodja z rezili za rezanje lesa in drugimi rezili. Takšna rezila lahko pri uporabi z brusilnikom pogosto odskakujejo in povzročijo izgubo nadzora, ki povzroči telesne poškodbe.



**⚠️ POZOR:** Nikoli ne vključite orodja, ko je v stiku z obdelovancem, saj lahko poškoduje upravljavca.

**⚠️ POZOR:** Med delovanjem vedno nosite varovalna očala ali ščitnik obraza.

**⚠️ POZOR:** Po uporabi vedno izklopite orodje in počakajte, da se plošča popolnoma ustavi, preden orodje odložite.

**⚠️ POZOR:** VEDNO trdno držite orodje z eno roko za ohišje in z drugo za stranski ročaj.

## Brušenje

### ► SI.22

Vklopite stroj in položite rezalno ploščo ali ploščo na obdelovanca.

Na splošno držite rob plošče pod kotom približno 15° na površino obdelovanca.

V času preboja z novo rezalno ploščo brusilnika ne uporabljajte v smeri naprej, saj lahko zareže v obdelovanca. Ko je rob plošče zaobljen zaradi obrabe, lahko ploščo premikate tako v smeri naprej kot tudi v smeri nazaj.

## Uporaba z abrazivnimi rezalnimi/diamantnimi ploščami

### Dodatna oprema

**⚠️ OPOZORILO:** Rezne plošče ne „zagodite“ ali preobremenite. Ne skušajte narediti preglobokih rezov. Preobremenjevanje plošče povečuje možnost zvijanja ali zagozdenja plošče v obdelovancu ter s tem možnost povratnega udarca ali zloma plošče in pregrevanja motorja.

**⚠️ OPOZORILO:** Rezanja ne začnite v obdelovancu. Najprej počakajte, da plošča doseže polno hitrost, in potem pomaknite orodje naprej po površini obdelovanca. Če začnete z rezanjem v obdelovancu, se lahko plošča zagodzi, lahko pa nastane tudi povratni udarec.

**⚠️ OPOZORILO:** Med rezanjem ne spreminjajte kota plošče. Bočni pritisk na rezalne ploščo (kot pri brušenju) bo povzročil razpoke in zlom plošče in s tem hude telesne poškodbe.

**⚠️ OPOZORILO:** Diamantne rezalne plošče uporabljajte pravokotno na rezani material.

Primer uporabe: uporaba z abrazivno rezalno ploščo  
► SI.23

Primer uporabe: uporaba z diamantno rezalno ploščo  
► SI.24

## Uporaba lončaste žične ščetke

### Dodatna oprema

**⚠️ POZOR:** Preden pričnete z uporabo lončaste žične ščetke, orodje najprej pustite nekaj trenutkov delovati v prostem teku, ob tem pa orodje obrnite stran od morebitnih prisotnih.

**OBVESTILO:** Ne uporabljajte prekomerne sile, saj lahko v tem primeru pri uporabi lončaste žične ščetke pride do pretiranega upogibanja žic. To lahko povzroči predčasen prelom.

Primer uporabe: uporaba z lončasto žično ščetko  
► SI.25

## Uporaba ploščate žične ščetke

### Dodatna oprema

**⚠️ POZOR:** Preden pričnete z uporabo ploščate žične ščetke, orodje najprej pustite nekaj trenutkov delovati v prostem teku, ob tem pa orodje obrnite stran od morebitnih prisotnih.

**OBVESTILO:** Ne uporabljajte prekomerne sile, saj lahko v tem primeru pri uporabi ploščate žične ščetke pride do pretiranega upogibanja žic. To lahko povzroči predčasen prelom.

Primer uporabe: uporaba s ploščato žično ščetko  
► SI.26

## VZDRŽEVANJE

**⚠️ POZOR:** Preden se lotite pregledovanja ali vzdrževanja orodja, se vedno prepričajte, da je orodje izklopljeno in akumulatorska baterija odstranjena.

**OBVESTILO:** Nikoli ne uporabljajte bencina, razredčila, alkohola ali podobnega sredstva. V tem primeru se lahko orodje razbarva ali deformira oziroma lahko nastanejo razpoke.

VARNO in ZANESLJIVO delovanje tega izdelka bo zagotovljeno le, če boste popravila, vzdrževanje in nastavitve prepustili pooblaščenemu servisu za orodja Makita, ki vgrajuje izključno originalne nadomestne dele.

## Čiščenje prezračevalnih rež

Orodje in prezračevalne reže morajo biti čiste. Prezračevalne reže orodja čistite redno ali ko so ovirane.  
► SI.27: 1. Izpustna reža 2. Vhodna reža

Odstranite protiprašni pokrov s prezračevalnika in ga očistite za nemoteno kroženje zraka.  
► SI.28: 1. Protiprašni pokrov

**OBVESTILO:** Protiprašni pokrov očistite, kadar je zamašen s prahom ali tujki. Z nadaljnjo uporabo z zamašenim protiprašnim pokrovom boste poškodovali orodje.

# DODATNA OPREMA

**⚠ POZOR:** Ta dodatni pribor ali pripomočki so predvideni za uporabo z orodjem Makita, ki je opisano v teh navodilih za uporabo. Pri uporabi drugega pribora ali pripomočkov obstaja nevarnost telesnih poškodb. Dodatni pribor ali pripomočke uporabljajte samo za navedeni namen.

Za več informacij o dodatni opremi se obrnite na najbližji pooblaščen servis za orodja Makita.

- Originalna akumulator in polnilnik Makita

► SI.29

-	Model 150 mm (6")
1	Ročaj 36
2	Ščitnik za plošče (za brusilno ploščo)
3	Notranja prirobnica
4	Rezalna plošča z ugreznjenim centrom/zaporna plošča
5	Zaskočna matica
6	Podporna blazinica
7	Mehka rezalna plošča
8	Gumeni nastavek 125
9	Brusna plošča
10	Zaskočna matica za brušenje
11	Ploščata žična ščetka
12	Lončasta žična ščetka
13	Ščitnik za plošče (za rezalno ploščo) *1
14	Abrazivna rezalna plošča/diamantna plošča
-	Ključ za zaskočno matico

**OPOMBA:** \*1 V nekaterih evropskih državah lahko pri uporabi diamantnega rezila uporabite običajni ščitnik namesto posebnega, ki pokriva obe strani plošče. Upoštevajte predpise v svoji državi.

**OPOMBA:** Nekateri predmeti na seznamu so lahko priloženi orodju kot standardna dodatna oprema. Lahko se razlikujejo od države do države.

## SPECIFIKIMET

<b>Modeli:</b>		<b>GA036G</b>
Diametri i diskut		150 mm (6")
Trashësia maks. e diskut		6,4 mm
Filetimi i boshtit		M14 ose 5/8" (specifike sipas vendit)
Shpejtësia nominale (n)		8 500 min <sup>-1</sup>
Gjatësia totale	me BL4025	398 mm
	me BL4040	410 mm
Pesha neto		3,1 - 3,7 kg
Tensioni nominal		D.C. 36 V - 40 V maks.

- Për shkak të programit tonë të vazhdueshëm të kërkim-zhvillimit, specifikimet që jepen këtu mund të ndryshojnë pa dhënë njoftim.
- Specifikimet mund të ndryshojnë nga njëri shtet në tjetrin.
- Pesha mund të ndryshojë në varësi të aksesorit(ëve), përfshirë kutinë e baterisë. Kombinimi më i lehtë dhe më i rëndë, sipas Procedurës EPTA 01/2014, tregohet në tabelë.

## Kutia e aplikueshme e baterisë dhe karikuesi

Kutia e baterisë	BL4025 / BL4040
Karikuesi	DC40RA

- Disa prej kutive të baterive dhe karikuesve të renditura më lart mund të mos jenë të disponueshme në varësi të zonës ku ju banoni.

**⚠ PARALAJMËRIM:** Përdorni vetëm kutitë e baterisë dhe karikuesit e listuar më lart. Përdorimi i karikuesve dhe kutive të tjera të baterisë mund të shkaktojë lëndim dhe/ose zjarr.

## Përdorimi i suar

Vegla përdoret për të lëmuar, smeriluar, për të fshirë me tela dhe për të prerë materiale metali dhe guri pa përdorimin e ujit.

## Zhurma

Niveli tipik i zhurmës A, i matur sipas EN60745-2-3:  
 Niveli i presionit të zhurmës ( $L_{pA}$ ): 82 dB (A)  
 Niveli i fuqisë së zhurmës ( $L_{WA}$ ): 93 dB (A)  
 Pasiguria (K): 3 dB (A)

**SHËNIM:** Vlerat e deklaruar totale të emetimeve të zhurmës janë matur sipas një metode standarde testimi dhe mund të përdoren për të krahasuar një vegël me një tjetër.

**SHËNIM:** Vlerat e deklaruar totale të emetimeve të zhurmës mund të përdoren për një vlerësim paraprak të ekspozimit.

**⚠ PARALAJMËRIM:** Mbani mbrojtëse për veshët.

**⚠ PARALAJMËRIM:** Emetimet e zhurmës gjatë përdorimit aktual të veglës elektrike mund të ndryshojnë nga vlerat e deklaruar në varësi të mënyrave sesi përdoret vegla, veçanërisht nga lloji i materialit të punës që përdoret.

**⚠ PARALAJMËRIM:** Vërtetoni që masat e sigurisë për mbrojtjen e përdoruesit bazohen në vlerësimin e ekspozimit ndaj kushteve aktuale të përdorimit (duke marrë parasysh të gjitha pjesët e ciklit të funksionimit si ato kur pajisja është e fikur dhe punon pa prerë ashtu edhe kohën e përdorimit).

## Dridhja

Vlera totale e dridhjeve (shuma e vektorit me tre akse) përcaktohet sipas EN60745-2-3:

Regjimi i punës: lëvim sipërfaqesh me kontroll anësor normal

Emetimi i dridhjeve ( $a_{h,AG}$ ): 9,0 m/s<sup>2</sup>

Pasiguria (K): 1,5 m/s<sup>2</sup>

Regjimi i punës: lëvim sipërfaqesh me kontroll anësor kundër dridhjeve

Emetimi i dridhjeve ( $a_{h,AG}$ ): 9,0 m/s<sup>2</sup>

Pasiguria (K): 1,5 m/s<sup>2</sup>

Regjimi i punës: smerilim me disk me kontroll anësor normal

Emetimi i dridhjeve ( $a_{h,DS}$ ): 4,0 m/s<sup>2</sup>

Pasiguria (K): 1,5 m/s<sup>2</sup>

Regjimi i punës: smerilim me disk me kontroll anësor kundër dridhjeve

Emetimi i dridhjeve ( $a_{h,DS}$ ): 3,5 m/s<sup>2</sup>

Pasiguria (K): 1,5 m/s<sup>2</sup>

**SHËNIM:** Vlerat e deklaruar totale të dridhjeve janë matur sipas një metode standarde testimi dhe mund të përdoren për të krahasuar një vegël me një tjetër.

**SHËNIM:** Vlerat e deklaruar totale të dridhjeve mund të përdoren për një vlerësim paraprak të ekspozimit.

**▲PARALAJMËRIM:** Emetimet e dridhjeve gjatë përdorimit aktual të veglës elektrike mund të ndryshojnë nga vlerat e deklaruara në varësi të mënyrave sesi përdoret vegla, veçanërisht nga lloji i materialit të punës që përdoret.

**▲PARALAJMËRIM:** Vërtetoni që masat e sigurisë për mbrojtjen e përdoruesit bazohen në vlerësimin e ekspozimit ndaj kushteve aktuale të përdorimit (duke marrë parasysh të gjitha pjesët e ciklit të funksionimit si ato kur pajisja është e fikur dhe punon pa prerë ashtu edhe kohën e përdorimit).

**▲PARALAJMËRIM:** Vlera e deklaruar e emetimeve të dridhjeve përdoret për aplikacionet kryesore të veglës elektrike. Megjithatë, nëse vegla elektrike përdoret për aplikacione të tjera, vlera e emetimeve të dridhjeve mund të ndryshojë.

## Deklarata e konformitetit me KE-në

### Vetëm për shtetet evropiane

Deklarata e konformitetit me KE-në përfshihet si Shtojca A në këtë manual përdorimi.

## PARALAJMËRIME SIGURIE

### Paralajmërimet e përgjithshme për sigurinë e veglës

**▲PARALAJMËRIM:** Lexoni të gjitha paralajmërimet për sigurinë, udhëzimet, ilustrimet dhe specifikimet e dhëna me këtë vegël elektrike. Mosndjekja e të gjitha udhëzimeve të renditura më poshtë mund të shkaktojë goditje elektrike, zjarr dhe/ose lëndim të rëndë.

### Ruajini të gjitha paralajmërimet dhe udhëzimet për të ardhmen.

Termi "vegël elektrike" në paralajmërimet i referohet veglës elektrike që përdoret e lidhur në prizë (me kordon) ose veglës së përdorur me bateri (pa kordon).

### Paralajmërimet për sigurinë e smeriluesit me bateri

Paralajmërimet për sigurinë e zakonshme gjatë veprimeve të lëvizimit, smerilimit, fshirjes me fuqë me tela ose prerjes abrazive:

1. Kjo vegël elektrike funksionon si lëmues, smerilues, fuqë teli ose prerës. Lexoni të gjitha paralajmërimet për sigurinë, udhëzimet, ilustrimet dhe specifikimet e dhëna me këtë vegël elektrike. Mosndjekja e të gjitha udhëzimeve të renditura më poshtë mund të shkaktojë goditje elektrike, zjarr dhe/ose lëndim të rëndë.
2. Veprimet si lustrimi nuk rekomandohen për t'u kryer me këtë vegël elektrike. Veprimet për të cilat pajisja elektrike nuk është e përshtatshme mund të krijojnë rrezik dhe të shkaktojnë dëmtime personale.

3. Mos përdorni aksesorë që nuk janë projektuar dhe rekomanduar nga prodhuesi i veglës. Fakti që një aksesori mund të montohet në veglën tuaj elektrike, nuk garanton një funksionim të sigurt.
4. Shpejtësia e matur e aksesorit duhet të jetë minimalisht e barabartë me shpejtësinë maksimale të caktuar në veglën elektrike. Aksesorët që e kalojnë shpejtësinë e matur mund të thyhen dhe të ndahen në copa.
5. Diametri i jashtëm dhe trashësia e aksesorit tuaj duhet të jetë brenda kapacitetit të matur të veglës elektrike. Aksesorët me përmasa të gabuara nuk mund të mbrohen ose të kontrollohen siç duhet.
6. Montimi me fileto i aksesorëve duhet të përputhet me fileton e boshtit të makinerisë prerëse. Për aksesorët e montuar me flanxha, vrima e boshtit të aksesorit duhet të përputhet me diametrin e folesë së flanxhës. Aksesorët që nuk përputhen me pjesën montuese të veglës elektrike do të humbasin ekuilibrin, do të lëkunden jashtë mase dhe mund të shkaktojnë humbjen e kontrollit.
7. Mos përdorni aksesorë të dëmtuar. Përpara çdo përdorimi kontrolloni aksesorët si p.sh. disqet abrazive për ciflosje dhe krisje, mbështetëset e disqeve për krisje, gërvishtje ose konsumim, fuqën me tela për lirim ose thyerje të telave. Nëse pajisja elektrike ose aksesori bie, kontrolloni për dëmtime ose instaloni një aksesori të padëmtuar. Pas inspektimit dhe instalimit të aksesorëve, qëndroni me personat e tjerë larg trajektoreve së rrotullimit të aksesorit dhe lëreni pajisjen elektrike të punojë me shpejtësi maksimale pa ngarkesë për një minutë. Aksesorët e dëmtuar zakonisht do të shpëputen nga pajisja gjatë këtij testi.
8. Mbani pajisje mbrojtëse personale. Në varësi të përdorimit, përdorni mbrojtëse për fytyrën ose syze sigurie të mëdha ose të vogla. Sipas rastit, mbani maskë kundër pluhurit, mbrojtëse për dëgjimin, doreza dhe përparës mbrojtëse që mund të ndalojnë copëzat abrazive ose të materialit të punës. Mbrojtësja e syve duhet të ketë aftësi të ndalojë copat fluturuese që prodhohen nga veprimet e ndryshme. Maska kundër pluhurit ose respiratori duhet të jenë në gjendje të filtrojnë grimcat e prodhuara nga funksionimi i pajisjes. Ekspozimi për një kohë të gjatë ndaj zhurmave të forta mund të shkaktojë humbjen e dëgjimit.
9. Mos i lejoni personat të afrohen në zonën e punës. Kushdo që hyn në zonën e punës duhet të mbajë veshur mjetet mbrojtëse personale. Copëzat e materialit të punës ose të një aksesori të thyer mund të fluturojnë larg dhe të shkaktojnë dëmtime përtej zonës ku punohet.
10. Mbajeni veglën elektrike vetëm te sipërfaqet kapëse të izoluar kur të jeni duke kryer një veprim në të cilin vegla prerëse mund të prekë tela të fshehura. Prekja e një teli me rrymë do ta përçojë rrymën edhe te pjesët e ekspozuara metalike të veglës elektrike dhe mund të shkaktojë goditje elektrike te punëtori.

11. **Mos e lëshoni veglën elektrike nga dora deri sa aksesorit të ketë ndaluar plotësisht.** Aksesorit që rrotullohet mund të prekë sipërfaqen dhe mund ta nxjerrë veglën elektrike jashtë kontrollit.
12. **Mos e ndizni veglën elektrike kur jeni duke e mbajtur anash trupit tuaj.** Kontakti aksidental me aksesorin rrotullues mund ta ngeçë atë në rrobat tuaja, duke e tërhequr aksesorin drejt trupit tuaj.
13. **Pastroni rregullisht vrimat e ajrosjes së veglës elektrike.** Ventilatori i motorit do ta tërheqë pluhurin brenda folesë dhe akumulimi i tepërt i pluhurit të metalit mund të shkaktojë rreziqë elektrike.
14. **Mos e përdorni veglën elektrike pranë materialeve të ndezshme.** Shkëndijat mund t'i ndezin këto materiale.
15. **Mos përdorni aksesorë që kërkojnë ftohës të lëngshëm.** Përdorimi i ujit ose i ftohësve të tjerë të lëngshëm mund të rezultojnë në goditje ose në goditje elektrike.

**Kundërveprimi dhe paralajmërimet lidhur me të**  
Zmbrapsja është një reagim i shpejtë që ndodh kur disku prerës, mbështetësja e rrotës, fuqia ose çdo aksesor tjetër bllokohet ose ngeç. Bllokimi ose ngecja shkaktojnë ndalesë të menjëhershme të aksesorit rrotullues, i cili si pasojë bën që pajisja elektrike e pakontrolluar të shtyjë në drejtimin e kundërt të rrotullimit të aksesorit deri në pikën e lidhjes.  
Për shembull, nëse disku abrazive ngeç ose bllokohet nga materiali i punës, tëhu i diskut që hyn në vendin e bllokimit mund të godasë sipërfaqen e materialit duke shkakuar daljen ose kërcimin e diskut nga vendi. Disku mund të kërcejë në drejtim të punëtorit ose larg tij, në varësi të drejtimt të lëvizjes së diskut në momentin e bllokimit. Disqet abrazive mund të thyhen në të tilla kushte.  
Kundërveprimi është rezultat i keqpërdorimit të veglës elektrike dhe/ose procedurave ose kushteve të pasakta të përdorimit dhe mund të shmangët duke marrë masat e mëposhtme parandaluese.

1. **Mbajeni veglën elektrike fort dhe vendosni trupin dhe krahun në mënyrë që të pengoni forcat kundërvepruese.** Përdorni gjithmonë dorezën ndihmëse, nëse mundësohet, për një kontroll maksimal mbi kundërveprimin ose reagimin rrotullues gjatë ndezjes. Përdoruesi mund të kontrollojë reagimet rrotulluese ose forcat kundërvepruese, nëse merren masa parandaluese.
2. **Mos e vini kurrë dorën pranë aksesorit rrotullues.** Aksesorit mund të kundërveprojë mbi dorën tuaj.
3. **Mos e poziciononi trupin tuaj në zonën ku vegla elektrike do të lëvizë nëse ndodh kundërveprimi.** Kundërveprimi do ta dërgojë veglën në drejtimin e kundërt të lëvizjes së diskut në pikën e ngecjes.
4. **Tregoni kujdes të veçantë kur të punoni në cepa, anë të mprehta etj.** Shmangni kërcimet dhe ngecjen e aksesorit. Cepat, anët e mprehta ose kërcimet kanë një tendencë për të shkakuar ngecjen e aksesorit rrotullues që shkakton humbjen e kontrollit ose kundërveprimin.
5. **Mos vendosni një tëh sharre me zinxhir për drutë ose një tëh sharre me dhëmbë.** Disqe të tilla krijojnë kundërveprime të shpeshta dhe humbje të kontrollit.

**Paralajmërimet për sigurinë specifike gjatë veprimeve të lëmimit dhe prerjes abrazive:**

1. **Përdorni vetëm llojet e disqeve që janë të rekomanduara për veglën tuaj elektrike dhe mbrojtësen specifike të projektuar për diskun e zgjedhur.** Disqet të cilët nuk janë projektuar për veglën elektrike nuk mund të mbrohen dhe nuk janë të sigurt.
2. **Sipërfaqja smeriluese e disqeve të shtypur qendrorë duhet të montohet poshtë rrafshit të buzëve mbrojtëse.** Një disk që është montuar keq dhe që del nga rrafshi i buzëve mbrojtëse, nuk mund të mbrohet siç duhet.
3. **Mbrojtësja duhet të lidhet në mënyrë të sigurt me veglën elektrike dhe të pozicionohet për siguri maksimale, në mënyrë që një pjesë shumë e vogël e diskut të jetë e zbuluar nga përdoruesi.** Mbrojtësja ndihmon në ruajtjen e përdoruesit nga copëzat e thyera të diskut, kontakti aksidental me diskun dhe shkëndijat që mund të ndezin rrobat.
4. **Disqet duhet të përdoren vetëm për përdorimet e rekomanduara.** Për shembull: mos smeriloni me anën e diskut prerës. Disqet abrazive prerëse janë synuar për smerilim anësor, forcat anësore të ushtruara mbi këtë disqe mund të shkaktojnë thyerjen e tyre.
5. **Gjithmonë përdorni flaxha disqesh të padmtuara të madhësisë dhe formës së diskut të zgjedhur.** Flanxhat e përshtatshme të disqeve e mbështetin diskun duke reduktuar mundësinë e thyerjes së saj. Flanxhat për disqet e prerjes mund të jenë ndryshe nga flanxhat e disqeve të smerilimit.
6. **Mos përdorni disqe të konsumuara nga pajisje më të mëdha elektrike.** Disku i synuar për pajisje më të mëdha elektrike nuk është i përshtatshëm për shpejtësinë e madhe të pajisjes së vogël dhe mund të plasë.

**Paralajmërimet për sigurinë specifike gjatë veprimeve të prerjes abrazive:**

1. **Mos e "bllokoni" diskun prerës ose mos aplikoni presion të tepërt mbi të.** Mos provoni të kryeni prerje të thella. Ushtrimi i forcës së tepërt mbi disk rrit ngarkesën dhe ndjeshmërinë ndaj përdredhjeve ose kapjes së diskut gjatë prerjes dhe mundësinë e kundërveprimit ose të thyerjes së diskut.
2. **Mos e poziciononi trupin tuaj në një linjë dhe mbropa diskun rrotullues.** Kur disku, në pikën e veprimit, po largohet nga trupi tuaj, kundërveprimi i mundshëm mund ta dërgojë diskun prerës dhe veglën elektrike në drejtimin tuaj.
3. **Kur disku kapet ose kur ndërprisni prerjen për çdo lloj arsyeje, fikeni veglën elektrike dhe mbajeni pa lëvizur derisa disku të ndalojë plotësisht.** Mos tentoni kurrë ta tërhiqni diskun nga vendi i prerjes ndërsa disku është duke lëvizur, përndryshe mund të ndodhë kundërveprimi. Hetoni dhe ndërmerrni veprime korrigjuese për të eliminuar ngecjen e diskut.
4. **Mos e rifilloni procesin e prerjes në materialin e punës.** Lejoni diskun të arrijë shpejtësinë maksimale dhe më pas rifilloni prerjen. Disku mund të kapet, të shkojë lart ose të kundërveprojë nëse vegla elektrike rindizet brenda materialit të punës.

5. Mbështetni panelet ose çdo material pune të madh për të minimizuar rrezikun e bllokimit dhe të kundërveprimit të diskut. Materialet e mëdha të punës kanë tendencë të përkulen nga pesha e tyre. Mbështetëset duhet të vendosen poshtë materialit të punës pranë vijës së prerjes dhe buzës së materialit të punës nga të dyja anët e diskut.
6. Tregoni kujdes të veçantë kur të bëni një "prerje në xhëp" mbi muret ekzistuese ose në zona të tjera me shikim të kufizuar. Disku i dalë mund të presë tuba gazi ose uji, tela elektrikë ose objekte që shkaktojnë kundërveprim.

**Paralajmërimet për sigurinë specifike gjatë veprimeve të smerilimit:**

1. Mos përdorni një letër të madhe disku për smerilim. Ndiqni rekomandimet e prodhuesve kur të zgjidhni letrën smerile. Letra smerile më e madhe se mbështetësja e rrotës krijon rrezik dëmtimi dhe mund të shkaktojë ngecjen, thyerjen ose kundërveprimin e diskut.

**Paralajmërimet për sigurinë specifike gjatë veprimeve të fshirjes me tela:**

1. Kini parasysh se qimet e forta të telit shkëputen nga furça edhe gjatë funksioneve të zakonshme. Mos i sforconi telat duke ushtruar forcë mbi furçën. Qimet e forta të telit mund të depërtojnë në rrobat e holla dhe/ose në lëkurë.
2. Nëse rekomandohet përdorimi i mbrojtëses për fshirjen me tela, mos lejoni ndërhyrje të diskut ose furçës së telit te mbrojtësja. Disku ose furça e telit mund të zgjerohet në diametër nga ngarkesa e punës dhe forcat centrifugale.

**Paralajmërimet shtesë mbi sigurinë:**

1. Kur të përdorni disqe lëmuese me qendër të shtypur, sigurohuni të përdorni vetëm disqe të përforcuara me fibër qelqi.
2. **KURRË MOS PËRDORNI** disqe të llojit Stone Cup me këtë lëmuës. Ky lëmuës nuk është projektuar për këto lloje disqesh dhe përdorimi i këtij produkti mund të shkaktojë dëmtime personale.
3. Tregoni kujdes se mos dëmtoni boshtin, flaxhën (sidomos sipërfaqen e instalueshme) ose dadon e bllokimit. Dëmtimi i këtyre pjesëve mund të shkaktojë thyerjen e diskut.
4. Sigurohuni që disku nuk e prek materialin e punës përpara se të ndizet çelësi.
5. Përpara se të përdorni veglën mbi një material aktual, lëroni të punojë për ca kohë. Tregoni kujdes për dridhjet ose lëkundjet që dëshmojnë për një instalim të gabuar ose një disk jo në ekuilibër.
6. Përdorni sipërfaqen e specifikuar të diskut për të kryer lëmimin.
7. Mos e lini veglën të ndezur. Përdorëni veglën vetëm duke e mbajtur në dorë.
8. Mos e prekni materialin e punës menjëherë pas punës; mund të jetë shumë i nxehtë dhe mund t'ju djegë lëkurën.
9. Mos i prekni aksesorët menjëherë pas punës; mund të jenë shumë të nxehtë dhe mund t'ju djegin lëkurën.
10. Shihni udhëzimet e prodhuesit për montimin dhe përdorimin e saktë të disqeve. Trajtojini dhe ruajini disqet me kujdes.
11. Mos përdorni unaza zvogëluese ose reduktorë për të përshtatur disqet abrazive me vrimë të madhe.

12. Përdorni vetëm flaxha specifike për këtë vegël.
13. Për veglat që do të punojnë me disqe që kanë vrimë të filetuar, sigurohuni që fileta në disk të jetë atë e gjatë sa të pranojë të gjithë boshtin.
14. Kontrolloni që materiali i punës është mbështetur siç duhet.
15. Tregoni kujdes, sepse disku vazhdon rrotullimin edhe pasi të jetë fikur vegla.
16. Nëse ambienti i punës është shumë i nxehtë dhe me lagështirë ose i ndotur shumë me pluhur të përcueshëm, përdorni një ndërprerës qarku (30 mA) për të siguruar përdoruesin.
17. Mos e përdorni veglën mbi materiale që përmbajnë asbest.
18. Kur përdorni disk prerës, gjithmonë punoni me mbrojtësen e diskut që mbleh pluhurin siç kërkohet nga rregullat vendase.
19. Mbi disqet prerës nuk duhet të ushtrohet forcë anësore.
20. Mos përdorni doreza pune prej lecke gjatë punës. Fibrat e dorezave prej lecke mund të futen te vegla, gjë e cila shkakton prishjen e veglës.
21. Sigurohuni që të mos ketë kablo elektrike, tuba uji, tuba gazi etj. që mund të shkaktojnë rrezik nëse dëmtohen nga përdorimi i veglës.

## RUAJINI KËTO UDHËZIME.

**▲ PARALAJMËRIM:** MOS lejoni që njohja ose familjarizimi me produktin (të fituara nga përdorimi i shpeshhtë) të zëvendësojnë zbatimin me përpikëri të rregullave të sigurisë për produktin në fjalë. KEQPËRDORIMI ose mosndjekja e rregullave të sigurisë të dhëna në këtë manual përdorimi mund të shkaktojë dëmtime të rënda personale.

## Udhëzime të rëndësishme rreth sigurisë për kutinë e baterisë

1. Përpara se ta përdorni kutinë e baterisë, lexoni të gjitha udhëzimet dhe shënimet e masave parandaluese te (1) ngarkuesi i baterisë, (2) bateria dhe (3) produkti që përdor baterinë.
  2. Mos e çmontoni ose dëmtoni kutinë e baterisë. Kjo mund të shkaktojë zjarr, nxehtësi të lartë ose shpërthim.
  3. Nëse koha e përdorimit është shkurtuar jashtë mase, ndalojeni punën menjëherë. Kjo mund të rezultojë në rrezik mbinxehjeje, djegie të mundshme, madje edhe shpërthim.
  4. Nëse ju futen elektrolitet në sy, shpëllajini sytë me ujë të pastër dhe kërkoni ndihmë mjekësore menjëherë. Kjo gjë mund të rezultojë në humbje të shikimit.
  5. Mos bëni lidhje të shkurtër me kutinë e baterisë:
    - (1) Mos i prekni terminalët me materiale përcjellëse.
    - (2) Shmangni ruajtjen e kutisë së baterisë në një kuti me objekte të tjera metalike, si gozhdë, monedha etj.
    - (3) Mos e ekspozoni kutinë e baterisë në ujë ose shi.
- Qarku i shkurtër i baterisë mund të shkaktojë qarkullim të madh të rrymës elektrike, mbinxehje, djegie të mundshme dhe madje prishje.

6. **Mos e ruani dhe mos e përdorni pajisjen dhe kutinë e baterisë në vende ku temperatura mund të arrijë ose tejkalojë 50 °C (122 °F).**
7. **Mos e digjini kutinë e baterisë, edhe nëse është shumë e dëmtuar ose është konsumuar plotësisht. Kutia e baterisë mund të shpërthejë në zjarr.**
8. **Mos e shpini, pritni, shtypni, hidhni apo rrëzoni kutinë e baterisë apo ta goditni kutinë e baterisë me një objekt të fortë. Një sjellje e tillë mund të shkaktojë zjarr, nxehtësi të lartë ose shpërthim.**
9. **Mos përdorni bateri të dëmtuar.**
10. **Bateritë e përfshira të litiumit, u nënshtrohen kërkesave të legjislacionit për mallrat e rrezikshme.**  
Për transport tregtar p.sh. nga palë të treta, agjentë të ndërmjetëm, duhet të ndiqen kërkesa specifike mbi paketimin dhe etiketimin.  
Për përgatitjen e artikullit për transport, është i nevojshëm konsultimi i një eksperti për materiale të rrezikshme. Ju lutemi, ndiqni gjithashtu rregulloret me gjasë më të detajuara vendore.  
Mbuloni me ngjithëse ose maskoni kontaktet e zhveshura dhe paketojeni baterinë në mënyrë të tillë që të mos lëvizë në paketim.
11. **Kur hidhni kutinë e baterisë, hiqeni nga vegla dhe hidhjeni në një vend të sigurt. Zbatoni rregulloret lokale rreth hedhjes së baterisë.**
12. **Përdorini bateritë vetëm me produktet e specifikuar nga Makita. Instalimi i baterive në produkte të papajtueshme mund të rezultojë në zjarr, nxehtësi të lartë, shpërthim ose rrjedhje të elektroliteve.**
13. **Nëse vegla nuk përdoret për një periudhë të gjatë kohe, bateria duhet të hiqet nga vegla.**
14. **Gjatë dhe pas përdorimit, kutia e baterisë mund të nxehet, gjë që mund të shkaktojë djegie ose djegie në temperaturë të ulët. Tregoni kujdes gjatë manovrimit të kutive të nxehta të baterive.**
15. **Mos prekni terminalin e veglës menjëherë pas përdorimit pasi mund të nxehet aq shumë sa të shkaktojë djegie.**
16. **Mos lejoni që grumbullimin e ashklave, pluhurave ose papastërtive në terminalet, vrimat ose kanalet e kutisë së baterisë. Kjo mund të shkaktojë rendiment të ulët ose dëmtim të veglës ose të kutisë së baterisë.**
17. **Përveç kur vegla e mbështet përdorimin pranë linjave elektrike me voltazh të lartë, mos e përdorni kutinë e baterisë pranë linjave elektrike me voltazh të lartë. Kjo mund të shkaktojë një defekt ose dëmtim të veglës ose të kutisë së baterisë.**
18. **Mbajeni baterinë larg fëmijëve.**

## RUAJINI KËTO UDHËZIME.

**▲KUJDES:** Përdorni vetëm bateri origjinale Makita. Përdorimi i baterive jo-origjinale Makita ose baterive që mund të jenë modifikuar, mund të rezultojë në marrjen flakë të baterisë, lëndime personale apo dëmtime. Kjo do të anulohë gjithashtu edhe garancinë e Makita-s për veglën e Makita-s dhe ngarkuesin.

## Këshilla për të ruajtur jetëgjatësinë maksimale të baterisë

1. **Ngarkojeni baterinë përpara se të shkarkohet plotësisht. Gjithmonë ndaloni punën me pajisjen dhe ngarkoni baterinë kur vëreni ulje të fuqisë së pajisjes.**
2. **Asnjëherë mos e ringarkoni baterinë e ngarkuar plotësisht. Mbingarkimi shkurton jetëgjatësinë e shërbimit të baterisë.**
3. **Ngarkojeni baterinë në temperaturën e dhomës në 10 °C - 40 °C. Lëreni kutinë e nxehtë të baterisë të ftohet përpara se ta ngarkoni atë.**
4. **Kur nuk e përdorni kutinë e baterisë, hiqeni atë nga vegla ose karikuesi.**
5. **Ngarkojeni baterinë nëse nuk e përdorni për një kohë të gjatë (mbi gjashtë muaj).**

## PËRSHKRIMI I PUNËS

**▲KUJDES:** Sigurohuni gjithmonë që vegla të jetë e fikur dhe kutia e baterisë të jetë hequr përpara se ta rregulloni apo t'i kontrolloni funksionet e veglës.

## Instalimi ose heqja e kutisë së baterisë

**▲KUJDES:** Fikeni gjithmonë veglën përpara se të instaloni ose hiqni kutinë e baterisë.

**▲KUJDES:** Mbajeni fort veglën dhe kutinë e baterisë kur montoni ose hiqni kutinë e baterisë. Mosmbajta fort e veglës dhe e kutisë së baterisë mund të bëjë që t'ju rrëshqasin nga duart dhe të shkaktojë dëmtim të veglës dhe të kutisë së baterisë, si dhe lëndim personal.

► Fig.1: 1. Treguesi i kuq 2. Butoni 3. Kutia e baterisë

Për të hequr kutinë e baterisë, rrëshqiteni atë nga vegla ndërsa rrëshqisni butonin në pjesën e përparme të kutisë së baterisë.

Për të vendosur kutinë e baterisë, bashkërenditni gjuhëzën e kutisë së baterisë me kanalin e folesë dhe rrëshqiteni për ta futur. Futeni deri në fund, derisa të kërçasë dhe të bllokohet në vend. Nëse shikoni treguesin e kuq në anën e sipërme të butonit, ajo nuk është e bllokuar plotësisht.

**▲KUJDES:** Vendoseni gjithnjë plotësisht kutinë e baterisë derisa treguesi i kuq të mos duket. Në të kundërt, ajo mund të bjerë aksidentalisht nga vegla duke ju lënduar juve ose personin pranë jush.

**▲KUJDES:** Mos e vendosni me forcë kutinë e baterisë. Nëse kutia nuk hyn lehtë, nuk po e futni siç duhet.

## Treguesi i kapacitetit të mbetur të baterive

Shtypni butonin e kontrollit në kutinë e baterisë për të treguar kapacitetin e mbetur të baterisë. Llambat treguese ndizen për pak sekonda.

► **Fig.2:** 1. Llambat treguese 2. Butoni i kontrollit

Llambat treguese			Kapaciteti i mbetur
Ndezur	Fikur	Duke pulsuar	
■	□	▣	75% deri 100%
■ ■ ■ ■	□ □ □ □	▣ ▣ ▣ ▣	50% deri 75%
■ ■	□ □	▣ ▣	25% deri 50%
■	□ □ □ □	▣	0% deri 25%
▣	□ □ □ □	▣	Ngarkojeni baterinë.
■ ■ □ □	□ □ □ □	▣ ▣ □ □	Llambushka mund të ketë keqfunksionuar.
	↑ ↓	□ □ ■ ■	

**SHËNIM:** Në varësi të kushteve të përdorimit dhe të temperaturës së ambientit, treguesi mund të ndryshojë paksa nga kapaciteti aktual.

**SHËNIM:** Llamba e parë e treguesit (në fund majtas) do të pulsojë kur sistemi i mbrojtjes së baterisë është në punë.

## Sistemi i mbrojtjes së veglës/baterisë

Vegla është e pajisur me një sistem të mbrojtjes së veglës/baterisë. Ky sistem ndërpret automatikisht energjinë në motor për të zgatur jetëgjatësinë e veglës dhe baterisë. Vegla do të ndalojë automatikisht gjatë punës nëse vegla ose bateria janë vendosur sipas një prej kushteve të mëposhtme:

### Mbrojtja nga mbingarkesa

Kur vegla/bateria vihet në punë në një mënyrë që e bën atë të tërheqë një korrent më të lartë nga normalja, vegla fiket automatikisht pa dhënë asnjë shenjë. Në këtë situatë, fikeni veglën dhe ndaloni punën që shkaktoi mbingarkesën e veglës. Pastaj ndizeni veglën për ta rinisur.

### Mbrojtja ndaj mbinxehjes

Kur vegla/bateria mbinxehet, vegla ndalon automatikisht. Lëreni veglën të ftohet përpara se ta ndizni sërish veglën.

### Mbrojtja nga mbishkarkimi

Kur kapaciteti i baterisë nuk është i mjaftueshëm, vegla ndalon automatikisht. Në këtë rast, hiqeni baterinë nga vegla dhe ngarkojeni.

## Lëshimi i bllokimit të mbrojtjes

Kur sistemi i mbrojtjes është vazhdimisht në punë, vegla bllokohet.

Në këtë situatë, vegla nuk ndizet edhe nëse e ndizni ose e fikni veglën. Për të lëshuar bllokimin e mbrojtjes, hiqni baterinë, vendoseni në ngarkuesin e baterive dhe prisni derisa të mbarojë ngarkimi.

## Bllokuesi i boshtit

Shtypni bllokimin e boshtit për të parandaluar rrotullimin e boshtit gjatë instalimit apo heqjes së aksesorëve.

► **Fig.3:** 1. Bllokuesi i boshtit

**VINI RE:** Mos e aktivizoni kurrë bllokimin e boshtit kur boshti është në rrotullim. Vegla mund të dëmtohet.

## Veprimi i ndërrimit

**▲KUJDES:** Përpara se të montoni kutinë e baterisë në vegël, kontrolloni gjithmonë për të parë nëse leva e çelësit aktivizohet siç duhet dhe nëse kthehet në pozicionin "FIKUR" kur lëshohet.

**▲KUJDES:** Për sigurinë tuaj, kjo vegël është pajisur me një levë zhblokimi e cila parandalon nisjen aksidentale të veglës. **ASNJËHERË** mos e përdorni veglën nëse ndizet kur thjesht tërhiqni levën e çelësit, pa tërhequr levën e zhblokimit. Çojeni veglën në qendrën tonë të autorizuar të shërbimit për riparimet e duhura **PËRPARA** përdorimit të mëtejshëm.

**▲KUJDES:** Mos e tërhiqni fort levën e çelësit pa tërhequr levën e zhblokimit. Kjo mund të shkaktojë thyerjen e çelësit.

**▲KUJDES:** Mos e lidhni dhe as mos e parandaloni **KURRË** qëllimin dhe funksionin e levës së bllokimit.

► **Fig.4:** 1. Leva e zhblokimit 2. Leva e çelësit

Për të shmangur tërheqjen aksidentale të levës së çelësit, ofrohet një levë zhblokimi.

Për ta ndezur veglën, tërhiqni levën e zhblokimit drejt përdoruesit dhe më pas tërhiqni levën e çelësit.

Për ta ndaluar veglën, lëshoni levën e çelësit.

## Funksioni parandalues për rindezjen e paqëllimshme

Vegla nuk ndizet kur kutia e baterisë montohet gjatë tërheqjes së levës së çelësit.

Për ta ndezur veglën, në fillim tërhiqni levën e çelësit. Pastaj tërhiqni levën e zhblokimit dhe tërhiqni levën e çelësit.

## Funksioni elektronik i kontrollit të rrotullimit

Vegla dikton elektronikisht situatat kur disku apo aksesorë mund të kenë rrezik të lidhen. Në raste të tilla, vegla fiket automatikisht për të evituar rrotullimin e mëtejshëm të boshtit (nuk parandalon zbrapsjen). Për ta rindezur veglën, fikeni përpara, eliminoni shkakun e rënies së befte të shpejtësisë së rrotullimit dhe ndizeni veglën.



## Veçoria e ndezjes së ngadaltë

Veçoria e ndezjes së ngadaltë redukton reagimin gjatë ndezjes.

## MONTIMI

**▲KUJDES:** Sigurohuni gjithmonë që vegla të jetë e fikur dhe kutia e baterisë të jetë hequr përpara se ta rregulloni apo t'i kontrolloni funksionet e veglës.

### Instalimi i mbajtëses (dorezës) anësore

**▲KUJDES:** Sigurohuni gjithnjë që mbajtësja anësore është instaluar siç duhet përpara përdorimit.

Vidhoseni mirë mbajtësen anësore në pozicionin e veglës siç tregohet në figurë.

► Fig.5

### Instalimi ose heqja e mbrojtëses së diskut

**▲PARALAJMËRIM:** Kur përdorni disk me qendër të shtypur, disk me kënd, disk fleksibël ose disk me furçë me tela, mbrojtësja e diskut duhet të përshtatet në vegël në mënyrë të tillë që ana e mbyllur e mbrojtëses të jetë gjithmonë e drejtuar nga përdoruesi.

**▲PARALAJMËRIM:** Sigurohuni që mbrojtësja e diskut të jetë bllokuar në mënyrë të sigurt me levën e bllokimit me një prej vrimave të mbrojtëses së diskut.

**▲PARALAJMËRIM:** Kur përdorni disk smeril prerës / diamanti, sigurohuni të përdorni vetëm mbrojtësen e posaçme të diskut të projektuar për përdorim me disqe prerëse.

(Në disa vende të Evropës, kur përdorni disk diamanti, mund të përdorni mbrojtësen e zakonshme. Ndiqni rregullat e shtetit ku ndodheni.)

## Për disk me qendër të shtypur, disk me kënd, disk fleksibël, furçë disku me tela / disk prerës smeril, disk diamanti

1. Gjatë shtyrjes së levës së çelësit, montajeni mbrojtësen e diskut me pjesët e dala të mbrojtëses së diskut të bashkërenditura me dhëmbëzat në kutinë mbajtëse.

► Fig.6: 1. Leva e bllokimit 2. Dhëmbëza 3. Pjesa e dalë

2. Gjatë shtyrjes së levës së çelësit drejt A, shtyni mbrojtësen e diskut duke mbajtur shtypur pjesët B siç tregohen në figurë.

► Fig.7: 1. Mbrojtësja e diskut 2. Vrima

**SHËNIM:** Shtyjeni poshtë mbrojtësen e diskut drejt. Ndryshe, nuk mund ta shtyni plotësisht mbrojtësen e diskut.

3. Ndërkohë që mbani levën e çelësit dhe pozicionin e mbrojtëses së diskut siç përshkruhet në hapin 2, rrotulloni mbrojtësen e diskut drejt C, dhe më pas ndryshoni këndin e mbrojtëses së diskut sipas punës në mënyrë që operatori të mund të mbrohet. Bashkërenditni levën e bllokimit me një nga vrimat në mbrojtësen e diskut dhe më pas lironi levën e bllokimit për të bllokuar mbrojtësen e diskut.

► Fig.8: 1. Mbrojtësja e diskut 2. Vrima

**SHËNIM:** Shtyjeni mbrojtësen e diskut plotësisht. Ndryshe, nuk mund ta rrotulloni mbrojtësen e diskut.

Për ta hequr mbrojtësen e diskut, ndiqni procedurën e anasjelltë të instalimit.

### Instalimi ose heqja e diskut me qendër të shtypur ose diskut me kënd

#### Aksesorë opsionalë

**▲PARALAJMËRIM:** Kur përdorni disk me qendër të shtypur ose disk me kënd, mbrojtësja e diskut duhet të përshtatet në vegël në mënyrë të tillë që ana e mbyllur e mbrojtëses të tregojë gjithnjë nga përdoruesi.

**▲KUJDES:** Sigurohuni që pjesa e montimit të flanxhës së brendshme të përputhet me diametrin e brendshëm të diskut me qendër të shtypur / diskut me kënd. Montimi i flanxhës së brendshme në anën e gabuar mund të shkaktojë dridhje të rrezikshme.

Montoni flanxhën e brendshme në bosht. Sigurohuni që pjesën e dhëmbëzuar të flanxhës së brendshme ta vendosni mbi pjesën e drejtë poshtë boshtit. Futni diskun me qendër të shtypur / diskun me kënd në flanxhën e brendshme dhe vidhosni dadon bllokuese te boshti.

► Fig.9: 1. Dado e kyçjes 2. Disk me qendër të shtypur 3. Flanxha e brendshme 4. Pjesa e montimit

Për ta shtrënguar dadon bllokuese, shtypni bllokimin e boshtit aq fort sa boshti të mos rrotullohet më, pastaj përdorni çelësin e dados së bllokimit dhe shtrëngojeni mirë në drejtim të akrepave të orës.

► Fig.10: 1. Çelësi i dados së bllokimit 2. Bllokuesi i boshtit

Për ta hequr diskun, ndiqni procedurën e anasjelltë të instalimit.

### Instalimi ose heqja e diskut fleksibël

#### Aksesorë opsionalë

**▲PARALAJMËRIM:** Përdorni gjithmonë mbrojtësen e dhënë me veglën kur disku fleksibël është i vendosur mbi vegël. Disku mund të thyhet gjatë përdorimit dhe mbrojtësja ndihmon në uljen e mundësive për lëndime personale.

► Fig.11: 1. Dado e kyçjes 2. Disku fleksibël 3. Pllaka rezervë 4. Flanxha e brendshme

Ndiqni udhëzimet për diskun me qendër të shtypur, por përdorni edhe pllakën rezervë mbi disk. Shihni radhën e montimit në faqen e aksesorëve në këtë manual.

## Instalimi ose heqja e diskut abraziv

### Aksesorë opsionalë

- **Fig.12:** 1. Dadoja bllokuese 2. Disk smerilimi  
3. Blloku prej gome

1. Montoni bllokun e gomës në bosht.
2. Futni diskun në pllakën prej gome dhe vidhosni dadon bllokuese në bosht.
3. Mbajeni boshtin me bllokuesin e boshtit, dhe shtrëngoni mirë dadon bllokuese në drejtim të kundërt të akrepave të orës me çelësin për dadon e bllokimit. Për ta hequr diskun, ndiqni procedurën e anasjelltë të instalimit.

**SHËNIM:** Përdorni vetëm aksesorët rektifikues të përcaktuar në këtë manual. Këto duhet të blihen më vete.

## Instalimi ose heqja e dados Ezynut

### Aksesorë opsionalë

**▲KUJDES:** Mos përdorni dadon Ezynut me flanxhën e sipërme ose me lëmuesin me kënd me simbolin "F" në fund të numrit të modelit. Ato flanxha janë aq të trasha saqë boshti nuk mund të mbajë të gjithë fiçin.

- **Fig.13:** 1. Dadoja Ezynut 2. Disku lëmues  
3. Flanxha e brendshme 4. Boshti

Flanxhën e brendshme, diskun lëmues dhe dadon Ezynut montojini në bosht në mënyrë të tillë që logoja Makita në dadon Ezynut të tregojë nga jashtë.

- **Fig.14:** 1. Bllokimi i boshtit

Shtypni fort bllokuesin e boshtit dhe shtrëngoni dadon Ezynut duke rrotulluar diskun lëmues në drejtim orar deri në fund.

Rrotulloni unazën e jashtme të dados Ezynut në drejtim kundër orar për ta liruar atë.

- **Fig.15:** 1. Shigjeta 2. Dhëmbëza

- **Fig.16**

**SHËNIM:** Dadoja Ezynut mund të lirohet me dorë nëse shigjeta tregon drejt dhëmbëzës. Në të kundërt për ta liruar atë nevojitet një çelës për dadon bllokuese. Futni një kunj të çelësit në njërën nga vrimat dhe rrotullojeni dadon Ezynut në drejtim kundërorar.

## Instalimi i diskut prerës smeril / diskut të diamantit

### Aksesorë opsionalë

**▲PARALAJMËRIM:** Kur përdorni disk smeril prerës / diamanti, sigurohuni të përdorni vetëm mbrojtësen e posaçme të diskut të projektuar për përdorim me disqe prerëse.

(Në disa vende të Evropës, kur përdorni disk diamanti, mund të përdorni mbrojtësen e zakonshme. Ndiqni rregullat e shtetit ku ndodheni.)

**▲PARALAJMËRIM:** Mos përdorni KURRË disk prerës për lëmim anësor.

- **Fig.17:** 1. Dado e kyçjes 2. Disku prerës smeril / diskut i diamantit 3. Flanxha e brendshme 4. Mbrojtësja e diskut për diskun smerilues prerës / diskut e diamantit

Njëllaj si me instalimin, ndiqni udhëzimet për diskun e me qendër të shtypur.

**Drejtimi për montimin e dados së bllokimit dhe të flanxhës së brendshme ndryshon sipas llojit dhe trashësisë së diskut.**

Referojuni figurave më poshtë.

### Kur instaloni diskun smerilues prerës:

- **Fig.18:** 1. Dado e kyçjes 2. Disku smerilues prerës (më i hollë se 4 mm) 3. Disku smerilues prerës (4 mm ose më i trashë) 4. Flanxha e brendshme

### Kur instaloni diskun e diamantit:

- **Fig.19:** 1. Dado e kyçjes 2. Disku i diamantit (më i hollë se 4 mm) 3. Disku i diamantit (4 mm ose më i trashë) 4. Flanxha e brendshme

## Instalimi i furçës me kupë me tela

### Aksesorë opsionalë

**▲KUJDES:** Mos përdorni furçë të dëmtuar ose jo të ekuilibruar. Përdorimi i furçës së dëmtuar mund të rrisë mundësitë për lëndime nga kontakti me telat e prishura të furçës.

- **Fig.20:** 1. Furçë me kupë me tela

Hiqni kutinë e baterisë nga vegla dhe vendoseni me kokë poshtë për të lejuar futjen e lehtë të boshtit.

Hiqni çdo aksesor nga boshti. Montoni në bosht furçën me kupë me tela dhe shtrëngojeni me çelësin e ofruar.

## Instalimi i furçës së diskut me tela

### Aksesorë opsionalë

**▲KUJDES:** Mos përdorni disk me furçë me tela të dëmtuar ose jo të ekuilibruar. Përdorimi i diskut me furçë me tela të dëmtuar mund të rrisë mundësitë për lëndime nga kontakti me telat e prishura.

**▲KUJDES:** Përdorni GJITHMONË mbrojtësen për diskun me furçë me tela, duke u siguruar që diametri i diskut të përputhet brenda mbrojtëses. Disku mund të thyhet gjatë përdorimit dhe mbrojtësja ndihmon në uljen e mundësive për lëndime personale.

- **Fig.21:** 1. Furçë disku me tela

Hiqni kutinë e baterisë nga vegla dhe vendoseni me kokë poshtë për të lejuar futjen e lehtë të boshtit.

Hiqni çdo aksesor nga boshti. Filetoni në bosht diskun me furçë me tela dhe shtrëngojeni me çelës.

## PËRDORIMI

**▲ PARALAJMËRIM:** Nuk duhet të jetë kurrë e nevojshme të sforconi veglën. Pësha e veglës jep presionin e duhur. Sforcimi dhe presioni i tepërt mund të shkaktojnë thyerje të rezikshme të diskut.

**▲ PARALAJMËRIM:** Zëvendësojeni GJITHMONË diskut nëse vegla bie gjatë lëmimit.

**▲ PARALAJMËRIM:** Mos e përplasni apo godisni KURRË diskutin e lëmimit në punë.

**▲ PARALAJMËRIM:** Shmangni kërcimet dhe ngecjen e diskut, veçanërisht kur punoni me këndet, cepat e mprehtë, etj. Kjo mund të shkaktojë humbje të kontrollit dhe kundërveprim.

**▲ PARALAJMËRIM:** Mos e përdorni KURRË veglën me disqe për prerje të drurit apo disqe të tjera sharrash. Tehet e tilla kur përdoren me lëmues kërcëjnë shpesh dhe shkaktojnë humbje të kontrollit që mund të sjellë lëndimin tuaj.

**▲ KUJDES:** Mos e ndizni kurrë veglën kur është në kontakt me materialin e punës. Kjo mund të shkaktojë lëndim të përdoruesit.

**▲ KUJDES:** Gjithmonë përdorni syze mbrojtëse ose një mbrojtëse të fytyrës gjatë punës.

**▲ KUJDES:** Pas pune fikeni gjithnjë veglën dhe prisni derisa disku të ndalojë tërësisht përpara se ta vendosni veglën diku.

**▲ KUJDES:** Mbajeni veglën GJITHMONË mirë me njërën dorë në trup dhe me tjetrën në mbajtësen (dorezën) anësore.

## Lëmimi dhe smerilimi

► Fig.22

Ndizni veglën dhe më pas vendosni diskutin mbi materialin e punës.

Përgjithësisht, mbajeni buzën e diskutit në një kënd rreth 15° ndaj sipërfaqes së materialit të punës.

Gjatë periudhës së përdorimit të një disku të ri, mos e përdorni lëmuesin në drejtimin përpara sepse përndryshe mund të futet në materialin e punës. Pasi buza e diskutit të jetë rrumbullakosur nga përdorimi, disku mund të përdoret si në drejtimin përpara ashtu dhe në drejtimin prapa.

## Puna me disk prerës smeril / disk diamanti

*Aksesorë opsionalë*

**▲ PARALAJMËRIM:** Mos e “bllokoni” diskutin ose mos aplikoni presion të tepërt mbi të. Mos provoni të kryeni prerje të thella. Sforcimi i tepërt i diskutit shton ngarkesën dhe gjasat për përdredhje ose kapje të diskutit përgjatë prerjes dhe mundësinë e zbrapsjes, mund të ndodhë thyerje e diskutit ose mbinxehje e motorit.

**▲ PARALAJMËRIM:** Mos e filloni prerjen brenda materialit të punës. Lëni diskutin të kapë shpejtësinë maksimale dhe filloni me kujdes prerjen duke e lëvizur veglën përpara mbi sipërfaqen e materialit të punës. Disku mund të kapet, të kërcëjë sipër ose të zbrapsset nëse vegla elektrike nisat brenda materialit të punës.

**▲ PARALAJMËRIM:** Gjatë prerjeve mos e ndryshoni kurrë këndin e diskutit. Ushtrimi i presionit anësor mbi diskutin prerës (ashtu si gjatë lëmimit) do të shkaktojë krisjen dhe thyerjen e diskutit, duke ju shkakuar lëndime të rënda.

**▲ PARALAJMËRIM:** Disku i diamantit duhet të përdoret pingul mbi materialin që do të pritët.

Shembull përdorimi: përdorimi me disk prerës të smerilimit  
► Fig.23

Shembull përdorimi: vënia në funksionim me diskutin e diamantit  
► Fig.24

## Vënia në punë me furça me kupë me tela

*Aksesorë opsionalë*

**▲ KUJDES:** Kontrolloni funksionimin e furçës duke e nderur veglën pa ngarkesë, duke u siguruar se nuk ndodhet askush përpara ose në një drejtim me furçën.

**VINI RE:** Shmangni aplikimin e presionit të tepërt që shkakton përkuljen e telave kur përdorni furçën me kupë me tela. Kjo mund të sjellë prishje të parakohshme.

Shembull përdorimi: vënia në punë me furça me kupë me tela  
► Fig.25

## Vënia në punë me furça disku me tela

*Aksesorë opsionalë*

**▲ KUJDES:** Kontrolloni funksionimin e diskutit me furçë me tela duke e nderur veglën pa ngarkesë, duke u siguruar se nuk ndodhet askush përpara ose në një drejtim me diskutin me furçë me tela.

**VINI RE:** Shmangni aplikimin e presionit të tepërt që shkakton përkuljen e telave kur përdorni furçë disku me tela. Kjo mund të sjellë prishje të parakohshme.

Shembull përdorimi: vënia në punë me furçë disku me tela  
► Fig.26

## MIRËBAJTJA

**▲KUJDES:** Sigurohuni gjithmonë që vegla të jetë fikur dhe të jetë hequr nga bateria përpara se të kryeni inspektimin apo mirëmbajtjen.

**VINI RE:** Mos përdorni kurrë benzinë, benzinë pastrimi, hollues, alkool dhe të ngjashme. Mund të shkaktoni çngjyrosje, deformime ose krisje.

Për të ruajtur SIGURINË dhe QËNDRUESHMËRINË, riparimet dhe çdo mirëmbajtje apo rregullim tjetër duhen kryer nga qendrat e autorizuara të shërbimit të Makita-s, duke përdorur gjithnjë pjesë këmbimi të Makita-s.

## Pastrimi i vrimave të ajrit

Vegla dhe ventilatorët e saj duhen mbajtur pastër. Pastrojini rregullisht vrimat e ajrit të veglës ose kurdo që nisin të bllokohen.

► **Fig.27:** 1. Vrima e daljes 2. Vrima e hyrjes

Hiqni kapakun e pluhurit nga ventilatori thithës dhe pastrojini në mënyrë që ajri të qarkullojë lirshëm.

► **Fig.28:** 1. Kapaku për pluhurin

**VINI RE:** Pastroni kapakun e pluhurit kur është i bllokuar me pluhur ose materiale të tjera. Vazhdimi i punës kur kapaku i pluhurit është i bllokuar mund të dëmtojë veglën.

## AKSESORË OPSIONALË

**▲KUJDES:** Këta aksesorë ose shtojca rekomandohen për përdorim me veglën Makita të përcaktuar në këtë manual. Përdorimi i aksesorëve apo shtojcave të tjera ndryshe nga këto mund të përbëjë rrezik lëndimi. Aksesorët ose shtojcat përdorini vetëm për qëllimin e tyre të përcaktuar.

Nëse keni nevojë për më shumë të dhëna në lidhje me aksesorët, pyesni qendrën vendore të shërbimit të Makita-s.

- Bateria dhe ngarkues origjinal Makita

► **Fig.29**

	Modeli 150 mm (6")
-	Mbajtësja 36
1	Mbrojtësja e diskut (për disqet lëmues)
2	Flanxa e brendshme
3	Disku me qendër të shtypur / Disku me kënd
4	Dado e kyçjes
5	Pllaka rezervë
6	Disku fleksibël
7	Pllaka e gomës 125
8	Disk smerilimi
9	Dadoja bllokuese
10	Furçë disku me tela
11	Furçë me kupë me tela
12	Mbrojtësja e diskut (për disqet prerës) *1
13	Disku prerës smeril / Disku i diamantit
14	Çelësi i dados së bllokimit
-	

**SHËNIM:** \*1 Në disa vende evropiane, kur përdoret një disk diamanti, mund të përdoret mbrojtësja e zakonshme që mbulon të dyja anët e diskut. Ndiqni rregullat e shtetit ku ndodheni.

**SHËNIM:** Disa artikuj të listës mund të përfshihen në paketën e veglës si aksesorë standardë. Ato mund të ndryshojnë nga njëri shtet në tjetrin.

## СПЕЦИФИКАЦИИ

Модел:	GA036G	
Диаметър на диска	150 мм (6")	
Макс. дебелина на диска	6,4 мм	
Резба на вала	M14 или 5/8" (зависи от държавата)	
Номинални обороти (n)	8 500 мин <sup>-1</sup>	
Обща дължина	с BL4025	398 мм
	с BL4040	410 мм
Нето тегло	3,1 – 3,7 кг	
Номинално напрежение	Постоянно напрежение 36 V – 40 V макс.	

- Поради нашата непрекъсната научно-развойна дейност посочените тук спецификации могат да бъдат променени без предизвестие.
- Спецификациите може да са различни в различните държави.
- Теглото може да се различава в зависимост от принадлежността(ите), включително акумулаторната батерия. Най-леката и най-тежката комбинация в съответствие с процедурата на EPTA 01/2014 са показани в таблицата.

## Приложима акумулаторна батерия и зарядно устройство

Акумулаторна батерия	BL4025 / BL4040
Зарядно устройство	DC40RA

- Някои от акумулаторните батерии и зарядните устройства, посочени по-горе, може да не са налични в зависимост от региона на местоживеене.

**▲ ПРЕДУПРЕЖДЕНИЕ:** Използвайте само посочените по-горе акумулаторни батерии и зарядни устройства. Използването на други акумулаторни батерии и зарядни устройства може да причини нараняване и/или пожар.

## Предназначение

Този инструмент е предназначен за шлайфане, шлифование, почистване с телена четка и рязане на метал и камък без използване на вода.

## Шум

Обичайното ниво на шума с тегловен коефициент A, определено съгласно EN60745-2-3:

Ниво на звуково налягане ( $L_{pA}$ ): 82 dB(A)

Ниво на звукова мощност ( $L_{WA}$ ): 93 dB(A)

Коефициент на неопределеност (K): 3 dB(A)

**ЗАБЕЛЕЖКА:** Обявената(ите) стойност(и) на шумовите емисии е(са) измерена(и) в съответствие със стандартни методи за изпитване и може да се използва(т) за сравняване на инструменти.

**ЗАБЕЛЕЖКА:** Обявеното(ите) стойност(и) на шумови емисии може да се използва(т) също и за предварителна оценка на вредното въздействие.

**▲ ПРЕДУПРЕЖДЕНИЕ:** Използвайте предпазни средства за слуха.

**▲ ПРЕДУПРЕЖДЕНИЕ:** Нивото на шума при работа с електрическия инструмент може да се различава от обявената(ите) стойност(и) в зависимост от начина на използване на инструмента, по-специално какъв детайл се обработва.

**▲ ПРЕДУПРЕЖДЕНИЕ:** Задължително определете предпазни мерки за защита на оператора въз основа на оценка на риска в реални работни условия (като се вземат предвид всички етапи на работния цикъл, като например момента на изключване на инструмента, работата на празен ход, както и времето на задействане).

## Вибрации

Общата стойност на вибрациите (сума от три осови вектора), определена съгласно EN60745-2-3:

Работен режим: шлайфане на повърхности с нормална странична ръкохватка

Ниво на вибрациите ( $a_{h,AG}$ ): 9,0 m/c<sup>2</sup>

Коефициент на неопределеност (K): 1,5 m/c<sup>2</sup>

Работен режим: шлайфане на повърхности с анти-вибрационна странична ръкохватка

Ниво на вибрациите ( $a_{h,AG}$ ): 9,0 m/c<sup>2</sup>

Коефициент на неопределеност (K): 1,5 m/c<sup>2</sup>

Работен режим: шкуркане с диск с нормална странична ръкохватка

Ниво на вибрациите ( $a_{h, DS}$ ): 4,0 м/с<sup>2</sup>

Коефициент на неопределеност (K): 1,5 м/с<sup>2</sup>

Работен режим: шкуркане с диск с антивибрационна странична ръкохватка

Ниво на вибрациите ( $a_{h, DS}$ ): 3,5 м/с<sup>2</sup>

Коефициент на неопределеност (K): 1,5 м/с<sup>2</sup>

**ЗАБЕЛЕЖКА:** Обявената(ите) обща(и) стойност(и) на вибрациите е(са) измерена(и) в съответствие със стандартни методи за изпитване и може да се използва(т) за сравняване на инструменти.

**ЗАБЕЛЕЖКА:** Обявената(ите) обща(и) стойност(и) на вибрациите може да се използва(т) също и за предварителна оценка на вредното въздействие.

**▲ ПРЕДУПРЕЖДЕНИЕ:** Нивото на вибрациите при работа с електрически инструмент може да се различава от обявената(ите) стойност(и) в зависимост от начина на използване на инструмента, по-специално какъв детайл се обработва.

**▲ ПРЕДУПРЕЖДЕНИЕ:** Задължително определете предпазни мерки за защита на оператора въз основа на оценка на риска в реални работни условия (като се вземат предвид всички етапи на работния цикъл, като например момента на изключване на инструмента, работата на празен ход, както и времето на задействане).

**▲ ПРЕДУПРЕЖДЕНИЕ:** Обявеното ниво на вибрациите се използва за основните приложения на електрическия инструмент. Ако обаче инструментът се използва за други приложения, нивото на вибрациите може да е различно.

## ЕО декларация за съответствие

Само за европейските страни

ЕО декларацията за съответствие е включена като Анекс А към тази инструкция за употреба.

## ПРЕДУПРЕЖДЕНИЯ ЗА БЕЗОПАСНОСТ

### Общи предупреждения за безопасност при работа с електрически инструменти

**▲ ПРЕДУПРЕЖДЕНИЕ:** Прочетете всички предупреждения, инструкции, илюстрации и спецификации за безопасността, предоставени с този електрически инструмент. При неспазване на изброените по-долу инструкции има опасност от токов удар, пожар и/или тежко нараняване.

### Запазете всички предупреждения и инструкции за справка в бъдеще.

Терминът "електрически инструмент" в предупрежденията се отнася за вашия инструмент (с кабел за включване в мрежата) или работещ на батерии (безжичен) електрически инструмент.

## Предупреждения за безопасност при работа с акумулаторен ъглошлайф

Общи предупреждения за безопасност при шлайфане, шлифване, почистване с телена четка и рязане с абразивен диск:

1. Този електрически инструмент е предназначен да работи като инструмент за шлайфане, шлифване, почистване с телена четка или за рязане с абразивен диск. Прочетете всички предупреждения, инструкции, илюстрации и спецификации за безопасността, предоставени с този електрически инструмент. При неспазване на изброените по-долу инструкции има опасност от токов удар, пожар и/или тежко нараняване.
2. Не се препоръчва използване на този електрически инструмент за операции като полиране. Операции, за които електрическият инструмент не е предназначен, могат да бъдат опасни и да доведат до нараняване.
3. Не използвайте принадлежности, които не са специално предназначени и препоръчани от производителя на инструмента. Това, че дадена принадлежност може да бъде закрепена към инструмента, не осигурява безопасната му работа.
4. Номиналната скорост на принадлежностите трябва да е най-малко равна на максималната скорост, означена на инструмента. Принадлежности, които се въртят със скорост, по-висока от номиналната, могат да се счупят и да се разлетят на парчета.
5. Външният диаметър и дебелината на вашите принадлежности трябва да отговарят на номиналния капацитет на вашия електрически инструмент. Неправилно оразмерените принадлежности не могат да бъдат добре защитени или контролирани.
6. Резбовите монтажни отвори на принадлежностите трябва да отговарят на резбата на шпиндела на шлайфмашината. За монтажните чрез фланци принадлежности монтажните отвори на принадлежностите трябва да отговарят на центриращия диаметър на фланеца. Тези принадлежности, които не отговарят на монтажните елементи на електрическия инструмент, ще работят дебалансирано и могат да причинят загуба на контрол.
7. Не използвайте повредени принадлежности. Преди всяко използване проверявайте принадлежностите, например абразивните шайби за отчупвания и пукнатини, опорните подложки за пукнатини, скъсване или прекомерно износване, а телените четки – за хлабави или начупени телове. В случай на изпускане на инструмента или на някоя принадлежност ги проверете за повреда или монтирайте принадлежността, която не е повредена. След като огледате и поставите принадлежността, застанете заедно с хората около вас извън равнината на въртящата се принадлежност и включете инструмента на максимални обороти без натоварване в продължение на една минута. Ако принадлежността е повредена, тя ще се счули по време на това изпитание.

8. **Използвайте лични предпазни средства. В зависимост от вида на приложението използвайте маска за лице или предпазни очила. При необходимост използвайте маска за прах, антифони, ръкавици и работна престилка, които да могат да ви предпазят от малки абразивни частици или парченца от обработвания детайл.** Предпазните средства за очите трябва да могат да спрат летящи отпадъци, създадени при различни операции. Маската за прах или дихателният апарат трябва да могат да филтрират твърдите частици, образувани по време на работа. Продължителното излагане на силен шум може да причини загуба на слуха.
9. **Страничните лица трябва да стоят на безопасно разстояние от работната зона. Всеки, който влиза в работната зона, трябва да използва лични предпазни средства.** Парчета от обработвания детайл или от счупена принадлежност могат да изхвърчат и да причинят наранявания извън непосредствената зона на работа.
10. **Дръжте електрическия инструмент само за изолираните и нехлъзгави повърхности, когато има опасност режещият диск да допре в скрити кабели.** При допир до проводник под напрежение токът може да премине през металните части на електрическия инструмент и да „ударя“ работещия.
11. **Не оставяйте електрическия инструмент на земята, докато принадлежността не спре напълно да се върти.** Въртящата се принадлежност може да захале повърхността и да издърпа инструмента от ръцете ви.
12. **Не работете с електрическия инструмент, като го държите отстрани до тялото си.** При случаен допир с въртящата се принадлежност дрехите ви може да се разкъсат и да придърпат принадлежността към вашето тяло.
13. **Редовно почиствайте вентилационните отвори на инструмента.** Вентилаторът на двигателя засмуква прах в корпуса на инструмента, а натрупването на метален прах може да доведе до опасност от електрическа повреда.
14. **Не използвайте електрическия инструмент в близост до леснозапалими материали.** Искрите могат да запалят тези материали.
15. **Не използвайте принадлежности, за които се изисква водно охлаждане.** Използването на вода или други охлаждащи течности може да доведе до токов удар и дори до смърт.

#### **Обратен удар и съответни предупреждения**

Обратният удар е внезапна реакция на прищипан или нащърбен въртящ се диск, опорна подложка, четка или друга принадлежност. Прищипването или нащърбането причинява бързо спиране на въртящата се принадлежност, която от своя страна завърта неконтролируемо електрическия инструмент в посока, обратна на въртенето на принадлежността, в точката на захващане. Например, ако абразивната шайба е нащърбена или прищипана от обработвания детайл, ръбът, който влиза в точката на прищипване, може да навлезе в повърхността на материала, от което шайбата да изскочи нагоре или да се получи обратен удар. Шайбата може да отскочи към оператора или встрани от него в зависимост от посоката на движение на шайбата в точката на прищипване. В такава ситуация абразивната шайба може и да се счупи.

Обратният удар е следствие от неправилната употреба на електрическия инструмент и/или неспазване на реда и условията за работа и може да бъде изобгат при спазване на посочените по-долу предпазни мерки.

1. **Дръжте здраво инструмента и разположете тялото и ръката си така, че да можете да устоите на силите на обратния удар. Ако има допълнителна ръкохватка, я използвайте задължително, за да овладеете максимално обратния удар или завъртането при пускане.** Операторът може да овладее завъртането или силите на обратен удар, ако вземе подходящите предпазни мерки.
2. **Не поставяйте ръката си близо до въртящата се принадлежност.** Възможно е да възникне обратен удар на принадлежността към ръката ви.
3. **Не разполагайте тялото си в зоната, към която инструментът ще отскочи в случай на обратен удар.** Обратният удар изхвърля инструмента в посока, обратна на тази на въртенето на диска, в точката на нащърбване.
4. **Работете с повишено внимание при обработване на ъгли, остри ръбове и др. подобни.** Не позволявайте на принадлежността да подскача или да се нащърбва. Ъглите, острите ръбове и подскачането са предпоставки за нащърбване на въртящата се принадлежност и загуба на контрол или обратен удар.
5. **Не поставяйте нож за дървообработка за верижен трион или циркулярен диск със зъби.** Такива дискове често водят до обратен удар и загуба на контрол.

#### **Специфични предупреждения за безопасност при шлифване и рязане с абразивен диск:**

1. **Използвайте само дискове, препоръчани за вашия електрически инструмент и специалните предпазители за избрания вид диск.** Дискове, за които инструментът не е предназначен, не могат да бъдат добре защитени и не са безопасни.
2. **Шлайфашите повърхности на дисковете с вдлъбнати центрове трябва да се монтират под равнината на ръба на предпазителя.** Неправилно монтирания диск, който се показва през равнината на ръба на предпазителя, не може да бъде добре защитен.
3. **Предпазителят трябва да е здраво закрепен за електрическия инструмент и разположен така, че да осигурява максимална безопасност, тъй че колкото може по-малка част от диска да е открита към оператора.** Предпазителят пазя оператора от парчета при счупване на диска, от случаен допир до диска и от искри, които биха могли да подпалят дрехите.
4. **Дисковете трябва да се използват само за тези приложения, за които са предназначени. Например: не трябва да се шлифова с плоската страна на абразивен диск за рязане.** Абразивните дискове за рязане са предназначени за периферно шлифване и прилагането на странично действащи сили може да доведе до счупването им на парчета.
5. **Използвайте само закрепващи фланци без повреди и с точните размери и форма за избрания диск.** Правилните закрепващи фланци на диска осигуряват опора на диска и така намаляват опасността от счупване на диска. Фланците за дисковете за рязане може да се различават от фланците за шайбите за шлифване.

6. Не използвайте износени дискове за шлифоване от по-големи електрически инструменти. Дисковете, предназначени за по-големи инструменти, не са подходящи за високите обороти на малкия инструмент и могат да се пръснат на парчета.
2. Ако при почистване с телена четка се препоръчва използването на предпазител, не позволявайте теленият диск или четката да докосват предпазителя. Диаметърът на теленият диск или четка може да се увеличи поради работното натоварване или от центробежните сили.

#### Допълнителни предупреждения за безопасност при рязане с абразивен диск:

1. Не „заклинвайте“ диска за рязане и не упражнявайте прекомерен натиск. Не се опитвайте да режете прекалено дълбоко. Прекомерният натиск върху диска увеличава натоварването и вероятността за усукване или задиране на диска в прореза, както и тази за обратен удар или счупване на диска.
2. Не разполагайте тялото си на една линия с въртящия се диск и зад него. Когато дискът, в точката на обработване, се отдалечава от тялото, евентуалният обратен удар може да изстреля въртящия се диск и инструмента право към вас.
3. Ако дискът задере или прекъсне рязането по друга причина, изключете инструмента и го задръжте неподвижен, докато дискът спре да се върти окончателно. Не се опитвайте да извадите диска за рязане от прореза, докато все още се върти, защото това може да доведе до обратен удар. Огледайте мястото и вземете необходимите мерки, за да отстраните причината за задирането на диска.
4. Не подновявайте рязането, докато дискът е в допир с обработвания детайл. Изчакайте дискът да достигне пълни обороти и тогава внимателно го вкарайте в прореза. Дискът може да задере, да излезе или да произведе обратен удар, ако инструментът бъде включен отново, докато е в допир с обработвания детайл.
5. Подпирайте панели и други обемисти детайли за обработване, за да сведете до минимум опасността от прищипване или обратен удар от диска. Големите обработвани детайли често се огъват под собствената си тежест. Подпорите се слагат под обработвания детайл, близо до линията на рязане и близо до ръба на детайла, от двете страни на диска.
6. Бъдете особено предпазливи, когато режете в стена или друга повърхност, през която не се вижда. Стърчащият диск може да среже газова или водопроводна тръба, електрически кабел или предмет, който да причини обратен удар.

#### Специфични предупреждения за безопасност при шлифовъчни операции:

1. Не използвайте прекалено големи дискове за шлифоване от шкурка. Следвайте съветите на производителя при избора на шкурка. Големите дискове за шлифоване от шкурка, които излизат извън подложката за шлифоване, представляват опасност от разкъсване и могат да причинят задиране, скъсване на диска или обратен удар.

#### Специфични предупреждения за безопасност при почистване с телена четка:

1. Имайте предвид, че телове падат от четката дори при нормална работа. Не натискайте прекалено силно теловете, като упражнявате голямо натоварване върху четката. Теловете лесно могат да проникнат през тънки дрехи и/или през кожата.

#### Допълнителни предупреждения за безопасност:

1. Ако използвате дискове за шлифоване с вдлъбнат център, използвайте само дискове, подсилени със стъклопласт.
2. НЕ използвайте чашковидни каменни дискове с този инструмент за шлифоване. Инструментът за шлифоване не е предназначен за такъв тип дискове и използването им може да доведе до тежко нараняване.
3. Внимавайте да не повредите вала, фланеца (особено монтажната повърхност) или фиксиращата гайка. Повреждането на тези части може да доведе до счупване на диска.
4. Уверете се, че дискът не докосва детайла за обработване, преди да включите инструмента.
5. Преди да пристъпите към обработка на детайл, оставете инструмента да поработи известно време. Следете за вибрации или трептения, които може да сочат, че дискът не е добре поставен или е неправилно балансиран.
6. Използвайте указаната повърхност на диска, за да шлайфате.
7. Не оставяйте инструмента да работи без надзор. Инструментът трябва да работи само когато го държите с ръце.
8. Не докосвайте детайла непосредствено след обработка, защото може да е много горещ и да изгори кожата ви.
9. Не докосвайте аксесоарите непосредствено след обработка, защото може да са много горещи и да изгорят кожата ви.
10. Спазвайте инструкциите на производителя за правилен монтаж и използване на дисковете. Работете с дисковете и ги съхранявайте внимателно.
11. Не използвайте отделни редуциращи втулки или адаптери за пригаждане на абразивни шайби с големи отвори.
12. Използвайте само фланци, предназначени за този инструмент.
13. При инструменти, предназначени за работа с дискове с отвор с резба, проверете дали резбата на диска е достатъчна, за да влезе целия вал.
14. Проверете дали детайлът за обработване е закрепен стабилно.
15. Внимавайте, защото дискът продължава да се върти след изключването на инструмента.
16. В случай че работното място е много горещо и влажно или силно замърсено с прах, който е проводник на ток, използвайте захранване с дефектнотокова защита (30 mA), за да осигурите безопасността на оператора.
17. Не използвайте инструмента върху материали, съдържащи азбест.
18. Когато използвате дискове за рязане, винаги работете с монтиран прахосъбирателен предпазител на диска съгласно местната нормативна уредба.



19. Дискете за рязане не трябва да се подлагат на страничен натиск.
20. Не използвайте платнени работни ръкавици по време на работа. В инструмента могат да влязат влакна от платнените ръкавици, което да доведе до повреда на инструмента.
21. Уверете се, че няма електрически кабели, водопроводни тръби, газови тръби и др., които биха могли да създадат опасност, ако бъдат повредени при използване на инструмента.
9. Не използвайте повредени акумулаторни батерии.
10. Съдържащите се литиево-йонни акумулаторни батерии са обект на изискванията на законодателството за опасни стоки. При търговски превози, напр. от трети страни, спедитори, трябва да се спазват специални изисквания за опаковане и етикетироване. За подготовка на артикула, който трябва да бъде изпратен, е необходима консултация с експерт по опасните материали. Моля, спазвайте и евентуално по-подробните национални разпоредби. Запелете с лента или покрийте откритите контакти и опаковайте акумулаторната батерия по такъв начин, че да не може да се премества в опаковката.

## ЗАПАЗЕТЕ НАСТОЯЩИТЕ ИНСТРУКЦИИ.

**▲ ПРЕДУПРЕЖДЕНИЕ:** НЕ позволявайте комфорта от познаването на продукта (придобит при дългата му употреба) да замени стриктното спазване на правилата за безопасност за въпросния продукт. НЕПРАВИЛНАТА УПОТРЕБА и неспазването на правилата за безопасност, посочени в настоящото ръководство за експлоатация, могат да доведат до тежки наранявания.

### Важни инструкции за безопасност за акумулаторната батерия

1. Преди да използвате акумулаторната батерия, прочетете всички инструкции и предупредителни маркировки на (1) зарядното устройство за батериите, (2) за батериите и (3) за използващата батерияте продукт.
2. Не разглобявайте и не променяйте акумулаторната батерия. Това може да предизвика пожар, прегряване или взрив.
3. Ако мощността на машината намалее много, веднага спрете да работите. Това може да доведе до риск от прегряване, до възможни изгаряния и даже до експлозии.
4. Ако в очите ви попадне електролит, изплакнете ги с чиста вода и веднага потърсете лекарска помощ. Това може да доведе до загуба на зрението ви.
5. Не давайте на късо акумулаторните батерии:
  - (1) Не докосвайте клемите с проводими материали.
  - (2) Избягвайте съхраняването на акумулаторните батерии в контейнер с други метални предмети като пирони, монети и други подобни.
  - (3) Не излагайте акумулаторните батерии на вода или дъжд.
 Закъсяването на акумулаторна батерия може да доведе до протичане на много силен ток, до прегряване, до възможни изгаряния и даже до разпадане на батерията.
6. Не съхранявайте и не използвайте инструментите и акумулаторните батерии на места, където температурата може да достигне или надмине 50 °C (122 °F).
7. Не изгаряйте акумулаторните батерии даже и ако те са сериозно повредени или напълно износени. Акумулаторната батерия може да експлодира в огън.
8. Не забивайте пирони, не режете, не смачквайте, не хвърляйте, не изпускате и не удряйте в твърд предмет акумулаторната батерия. Това поведение може да предизвика пожар, прегряване или взрив.
11. При изхвърляне на акумулаторната батерия я извадете от инструмента и я изхвърлете на подходящо място. Спазвайте местните разпоредби за изхвърляне на акумулаторни батерии.
12. Използвайте батериите само с продуктите, определени от Makita. Поставянето на батерията към неодобриени продукти може да предизвика пожар, прегряване, взрив или изтичане на електролит.
13. Ако инструментът няма да се използва продължително време, батерията трябва да се извади от него.
14. По време на и след употреба акумулаторната батерия може да поеме топлина, която може да причини изгаряния или нискотемпературни изгаряния. Внимавайте, когато боравите с горещите акумулаторни батерии.
15. Не докосвайте клемата на инструмента веднага след употреба, тъй като е възможно да е достатъчно нагрята, за да предизвика изгаряния.
16. Не позволявайте стружки, прах или почва да попаднат по клемите, отворите и каналите на акумулаторната батерия. Това може да доведе до лоши работни характеристики или повреда на инструмента или акумулаторната батерия.
17. Освен ако инструментът поддържа използването в близост до високоволтови електропроводи, не използвайте акумулаторната батерия близо до високоволтови електропроводи. Това може да доведе до неизправност или повреда на инструмента или акумулаторната батерия.
18. Пазете батерията от деца.

## ЗАПАЗЕТЕ НАСТОЯЩИТЕ ИНСТРУКЦИИ.

**▲ ВНИМАНИЕ:** Използвайте само оригинални акумулаторни батерии на Makita. При използване на различни от акумулаторните батерии на Makita или стари акумулаторни батерии може да се получи пръскане на акумулаторната батерия, което да доведе до пожар, нараняване или повреда. Това също ще анулира гаранцията на Makita за инструмента и зарядното устройство Makita.

## Съвети за поддържане на максимално дълъг живот на акумулаторните батерии

1. Зареждайте акумулаторните батерии, преди те да са се разреждали напълно. Когато забележите, че мощността на инструмента намалява, винаги спирайте работата с инструмента и заредете акумулаторната батерия.
2. Никога не презареждайте напълно заредена акумулаторна батерия. Презарядът скъсява експлоатационния живот на батерията.
3. Зареждайте акумулаторната батерия при стайна температура от 10 °C – 40 °C (50 °F – 104 °F). Оставете загорелите акумулаторни батерии да се охладят, преди да ги зареждате.
4. Когато не използвате акумулаторната батерия, извадете я от инструмента или зарядното устройство.
5. Заредете акумулаторната батерия, ако не сте го използвали дълъг период от време (повече от шест месеца).

## ОПИСАНИЕ НА ФУНКЦИИТЕ

**▲ВНИМАНИЕ:** Винаги проверявайте дали инструментът е изключен и касетата с акумулаторната батерия е извадена, преди да регулирате или проверявате дадена функция на инструмента.

## Поставяне и изваждане на акумулаторната батерия

**▲ВНИМАНИЕ:** Винаги изключвайте инструмента преди поставяне или изваждане на акумулаторната батерия.

**▲ВНИМАНИЕ:** Когато инсталирате или изваждате акумулаторната батерия, дръжте здраво инструмента и акумулаторната батерия. Ако не държите здраво инструмента и акумулаторната батерия, те могат да се изплъзнат от ръцете ви и да доведат до повреждане на инструмента и акумулаторната батерия или нараняване.

► **Фиг.1:** 1. Червен индикатор 2. Бутон 3. Акумулаторна батерия

За да извадите акумулаторната батерия, я плъзнете извън инструмента, плъзгайки същевременно бутон в предната част на акумулаторната батерия.

За да поставите акумулаторната батерия, изравнете езичето на акумулаторната батерия с жлеба в корпуса и го плъзнете на мястото му. Вмъкнете го докрай, докато ключалката го задържи на място с малко прищракване. В случай че виждате червения индикатор в горната част на бутона, това означава, че тя не е фиксирана напълно на мястото си.

**▲ВНИМАНИЕ:** Винаги вмъквайте акумулаторната батерия докрай, така че червеният индикатор да се скрие. В противен случай тя може неволно да изпадне от инструмента, което може да нарани вас или някого около вас.

**▲ВНИМАНИЕ:** Не инсталирайте акумулаторната батерия със сила. Ако батерията не се движи свободно, тя не е била поставена правилно.

## Индикация на оставащия капацитет на акумулаторната батерия

Натиснете бутон за проверка на акумулаторната батерия за показване на оставащия заряд на батерията. Светлинните индикатори ще светнат за няколко секунди.

► **Фиг.2:** 1. Светлинни индикатори 2. Бутон за проверка

Светлинни индикатори			Оставащ заряд на батерията
Свети	Изкл.	Мига	
			75% до 100%
			50% до 75%
			25% до 50%
			0% до 25%
			Заредете батерията.
			Батерията може да не работи правилно.

**ЗАБЕЛЕЖКА:** В зависимост от условията на употреба и околната температура е възможно показанията леко да се различават от действителния капацитет.

**ЗАБЕЛЕЖКА:** Първият (краен ляв) светлинен индикатор ще мига, когато системата за защита на батерията функционира.

## Система за защита на инструмента / акумулаторната батерия

Инструментът е оборудван със система за защита на инструмента/акумулаторната батерия. Тази система автоматично прекъсва захранването към електромотора, за да осигури по-дълъг живот на инструмента и акумулаторната батерия. Инструментът ще спре автоматично по време на работа, ако инструментът или батерията се намират в едно от следните условия:

## Защита срещу претоварване

Когато се използва по начин, който води до неочаквано висока консумация на ток, инструментът спира автоматично без никаква индикация. В този случай изключете инструмента и преустановете приложението, което го претоварва. След това включете инструмента за повторно стартиране.

## Защита срещу прегряване

Когато инструментът/акумулаторната батерия прегрее, инструментът спира автоматично. Оставете инструмента да изстине, преди да го включите отново.

## Защита срещу прекомерно разреждане

Когато капацитетът на акумулаторната батерия не е достатъчен, инструментът спира автоматично. В този случай извадете батерията от инструмента и я заредете.

## Освобождаване на защитната блокировка

Когато предпазната система сработва непрекъснато, инструментът блокира.

При това положение инструментът не тръгва дори ако го изключите и включите. За освобождаване на защитната блокировка извадете батерията, включете я в зарядното устройство и изчакайте, докато зареждането завърши.

## Палец за блокиране на вала

Натиснете палеца за блокиране на вала, за да възпрепятствате въртенето му, когато поставяте или сваляте принадлежности.

► **Фиг.3:** 1. Палец за блокиране на вала

**БЕЛЕЖКА:** Никога не задействайте палеца за блокиране на вала, когато валът се върти. Инструментът може да се повреди.

## Включване

**⚠ВНИМАНИЕ:** Преди да поставите акумулаторната батерия в инструмента, винаги проверявайте дали пусковият лост се задейства нормално и се връща в положение „OFF“ (Изкл.) при отпускането му.

**⚠ВНИМАНИЕ:** За ваша безопасност този инструмент е оборудван с блокиращ лост, който предотвратява неволното стартиране на инструмента. НИКОГА не използвайте инструмента, ако той работи, когато сте дръпнали само пусковия лост, без да сте дръпнали блокиращия лост. Отнесете инструмента в упълномощен сервизен център за ремонт ПРЕДИ по-нататъшна употреба.

**⚠ВНИМАНИЕ:** Не дърпайте пусковия лост силно, без да сте изтеглили блокиращия лост. Това може да доведе до счупване на прекъсвача.

**⚠ВНИМАНИЕ:** НИКОГА не залепвайте с лента и не елиминирайте предназначението и функцията на блокиращия лост.

► **Фиг.4:** 1. Блокиращ лост 2. Пусков лост

За предотвратяване случайното натискане на пусковия лост е осигурен блокиращ лост.

За стартиране на инструмента натиснете деблокиращия лост към оператора и след това натиснете пусковия лост.

За да спрете инструмента, освободете пусковия прекъсвач.

## Функция за предотвратяване на случайно включване

Когато се постави акумулаторната батерия при задействане пусков лост, инструментът няма да започне работа.

За да включите инструмента, най-напред освободете пусковия лост. След това натиснете блокиращия лост и натиснете пусковия лост.

## Функция „Електронно управление на въртящия момент“

Инструментът детектира по електронен път ситуации, при които съществува риск от задиране на диска или принадлежност. В това положение инструментът се изключва автоматично, за да се възпрепятства по-нататъшното въртене на шпиндела (това не предотвратява обратния удар).

За да рестартирате инструмента, първо го изключете, отстранете причината за внезапното намаляване на скоростта на въртене и след това включете инструмента.

## Функция за плавно пускане

Функцията за плавно пускане намалява тласъка при стартиране.

## СГЛОБЯВАНЕ

**⚠ВНИМАНИЕ:** Винаги проверявайте дали инструментът е изключен и касетата с акумулаторната батерия е извадена, преди да регулирате или проверявате дадена функция на инструмента.

## Монтиране на страничната ръкохватка (дръжка)

**⚠ВНИМАНИЕ:** Преди да започнете работа проверете дали страничната ръкохватка е закрепена здраво.

Завийте здраво страничната ръкохватка на показаното на фигурата място от инструмента.

► **Фиг.5**

## Поставяне или сваляне на предпазителя на диска

**▲ ПРЕДУПРЕЖДЕНИЕ:** При използване на диск с вдлъбнат център, ламелен диск, гъвкав диск или кръгла телена четка, предпазителят на диска трябва да бъде поставен на инструмента, така че затворената страна на предпазителя винаги да е обърната към оператора.

**▲ ПРЕДУПРЕЖДЕНИЕ:** Уверете се, че предпазителят на диска е здраво закрепен от заключващия лост, фиксиран в един от отворите на предпазителя на диска.

**▲ ПРЕДУПРЕЖДЕНИЕ:** Когато използвате абразивен диск за рязане/диамантен диск, използвайте само предпазители, предназначени за ползване с дискове за рязане.

(В някои държави-членки на ЕС при използване на диамантен диск може да се ползва обикновеният предпазител. Спазвайте законовите разпоредби във вашата страна.)

## За диск с вдлъбнат център, ламелен диск, гъвкав диск, кръгла телена четка/абразивен диск за рязане, диамантен диск

1. Докато избутвате заключващия лост, монтирайте предпазителя на диска с изпъкналата страна на предпазителя, подравнена към жлебовете на лагерната кутия.

► **Фиг.6:** 1. Заключващ лост 2. Жлеб 3. Изпъкналост

2. Докато избутвате заключващия лост към А, натиснете предпазителя на диска, като задържите натиснати изпъкналостите В, както е показано на фигурата.

► **Фиг.7:** 1. Предпазител на диска 2. Отвор

**ЗАБЕЛЕЖКА:** Натиснете право надолу предпазителя на диска. В противен случай няма да можете да натиснете докрай предпазителя на диска.

3. Като задържите блокиращия лост и предпазителя на диска в позициите, описани в стъпка 2, завъртете предпазителя на диска към С и след това променете ъгъла на предпазителя на диска в зависимост от работата, която ще изпълнявате, така че операторът да може да бъде защитен. Центрирайте заключващия лост с един от отворите в предпазителя на диска и след това го освободете, за да заключите предпазителя.

► **Фиг.8:** 1. Предпазител на диска 2. Отвор

**ЗАБЕЛЕЖКА:** Натиснете докрай предпазителя на диска. В противен случай няма да можете да завъртите предпазителя на диска.

За да свалите предпазителя на диска, изпълнете процедурата за монтаж в обратен ред.

## Поставяне или сваляне на диск с вдлъбнат център или ламелен диск

### Допълнителни аксесоари

**▲ ПРЕДУПРЕЖДЕНИЕ:** При използване на диск с вдлъбнат център или ламелен диск предпазителят за диска трябва да бъде поставен на инструмента, така че затворената страна на предпазителя винаги да е обърната към оператора.

**▲ ВНИМАНИЕ:** Уверете се, че дали монтажната част на вътрешния фланец пасва идеално към вътрешния диаметър на диска с вдлъбнат център/ламелния диск. Монтирането на вътрешния фланец на неправилната страна може да доведе до опасни вибрации.

Сложете вътрешния фланец на вретеното. Уверете се, че сте нагласили наизбяната част на вътрешния фланец на правата част от долната страна на вретеното.

Сложете диска с вдлъбнат център/ламелния диск на вътрешния фланец и завийте фиксиращата гайка на шпиндела.

► **Фиг.9:** 1. Фиксираща гайка 2. Диск с вдлъбнат център 3. Вътрешен фланец 4. Монтажна част

За да затегнете фиксиращата гайка, натиснете палеца за блокиране на вала здраво, така че валът да не може да се върти и след това затегнете добре по посока на часовниковата стрелка с помощта на ключа за фиксиращата гайка.

► **Фиг.10:** 1. Ключ за фиксираща гайка 2. Палец за блокиране на вала

За да свалите гъвкавия диск, изпълнете процедурата за монтаж в обратен ред.

## Поставяне и сваляне на гъвкавия диск

### Допълнителни аксесоари

**▲ ПРЕДУПРЕЖДЕНИЕ:** Винаги използвайте достояния предпазител, когато върху инструмента е поставен гъвкав диск. По време на работа дискът може да се разбие на парчета, а предпазителят намалява вероятността за нараняване.

► **Фиг.11:** 1. Фиксираща гайка 2. Гъвкав диск 3. Опорна подложка 4. Вътрешен фланец

Следвайте указанията за диск с вдлъбнат център, но също използвайте опорна подложка над диска. Вижте последователността за сглобяване на страницата за принадлежност в настоящото ръководство.

## Монтаж или демонтаж на абразивния диск

### Допълнителни аксесоари

► **Фиг.12:** 1. Фиксираща гайка за абразивни дискове  
2. Абразивен диск 3. Гумена подложка

1. Монтирайте гумената подложка на шпиндела.
2. Сложете диска над гумената подложка и завийте шмиргеловата фиксираща гайка на вретеното.
3. Задръжте шпиндела с палеца за блокиране на вала и затегнете здраво шмиргеловата фиксиращата гайка с гаечен ключ по часовниковата стрелка.

За да свалите диска, изпълнете процедурата за монтаж в обратен ред.

**ЗАБЕЛЕЖКА:** Използвайте посочените в настоящото ръководство принадлежности за шлифване. Те се закупуват отделно.

## Монтаж или демонтаж на гайка Ezynut

### Допълнителни аксесоари

**⚠ВНИМАНИЕ:** Не използвайте гайка Ezynut със супер фланец или глъншлайф с "F" в края на номера на модела. Тези фланци са толкова дебели, че цялата резба не може да се поеме от вала.

► **Фиг.13:** 1. Гайка Ezynut 2. Абразивен диск  
3. Вътрешен фланец 4. Патронник

Монтирайте вътрешния фланец, абразивния диск и гайката Ezynut върху вала, така че логото на Makita върху гайката Ezynut да е обърнато навън.

► **Фиг.14:** 1. Блокировка на вала

Натиснете здраво блокировката на вала и притегнете гайката Ezynut чрез завъртане на абразивния диск по часовниковата стрелка докрай.

Завъртете външния пръстен на гайката Ezynut обратно на часовниковата стрелка, за да я разхлабите.

► **Фиг.15:** 1. Стрелка 2. Белег за центриране

► **Фиг.16**

**ЗАБЕЛЕЖКА:** Гайката Ezynut може да се разхлаби на ръка, когато стрелката сочи към белега. В противен случай ще е нужен ключ за разхлабването на закрепващата гайка. Поставете единия шифт на ключа в отвора и завъртете гайката Ezynut обратно на часовниковата стрелка.

## Монтиране на абразивен диск за рязане/диамантен диск

### Допълнителни аксесоари

**⚠ПРЕДУПРЕЖДЕНИЕ:** Когато използвате абразивен диск за рязане/диамантен диск, използвайте само предпазители, предназначени за ползване с дискове за рязане.

(В някои държави-членки на ЕС при използване на диамантен диск може да се ползва обикновеният предпазител. Спазвайте законовите разпоредби във вашата страна.)

**⚠ПРЕДУПРЕЖДЕНИЕ:** НИКОГА не използвайте диск за рязане за странично шлайфане.

► **Фиг.17:** 1. Фиксираща гайка 2. Абразивен диск за рязане/диамантен диск 3. Вътрешен фланец 4. Предпазител за абразивен диск за рязане/диамантен диск

За монтажа следвайте указанията за диск с вдлъбнат център.

**Посоката за монтиране на фиксиращата гайка и вътрешния фланец зависи от дебелината на диска.**

Вижте следващите фигури.

**Когато монтирате абразивни дискове за рязане:**

► **Фиг.18:** 1. Фиксираща гайка 2. Абразивен диск за рязане (по-тънък от 4 мм (5/32"))  
3. Абразивен диск за рязане (4 мм (5/32")) или по-дебел 4. Вътрешен фланец

**Когато монтирате диамантен диск:**

► **Фиг.19:** 1. Фиксираща гайка 2. Диамантен диск (по-тънък от 4 мм (5/32")) 3. Диамантен диск (4 мм (5/32")) или по-дебел 4. Вътрешен фланец

## Монтиране на телена четка

### Допълнителни аксесоари

**⚠ВНИМАНИЕ:** Не използвайте четка, която е повредена или дебалансирана. При използване на повредена четка се увеличава опасността от нараняване от откъснати телчета.

► **Фиг.20:** 1. Телена четка

Извадете акумулаторната батерия от инструмента и я обърнете наобратно, за да има лесен достъп до вала.

Махнете принадлежностите от вала. Завийте чашковидната телена четка върху вала и я затегнете с предоставения ключ.

## Монтиране на кръгла телена четка

### Допълнителни аксесоари

**⚠ВНИМАНИЕ:** Не използвайте кръгла телена четка, която е повредена или едностранно износена. При използване на повредена кръгла телена четка се увеличава опасността от нараняване от откъснати телчета.

**⚠ВНИМАНИЕ:** Винаги използвайте предпазител при работа с кръгла телена четка, като диаметърът на диска на четката трябва да се покрива от предпазителя. По време на работа дискът може да се разбие на парчета, а предпазителят намалява вероятността за нараняване.

► **Фиг.21:** 1. Кръгла телена четка

Извадете акумулаторната батерия от инструмента и я обърнете наобратно, за да има лесен достъп до вала.

Махнете принадлежностите от вала. Завийте кръглата телена четка върху вала и затегнете с ключовете.

## Експлоатация

**▲ ПРЕДУПРЕЖДЕНИЕ:** Никога не трябва да се налага да насилвате инструмента. Самото тегло на инструмента прилага достатъчен натиск. Насилването и прекомерният натиск могат да доведат до опасно счупване на диска.

**▲ ПРЕДУПРЕЖДЕНИЕ:** **ЗАДЪЛЖИТЕЛНО** сменете диска, ако изпуснете инструмента по време на шлифование.

**▲ ПРЕДУПРЕЖДЕНИЕ:** **НИКОГА** не удряйте с диска за шлифование по обработвания детайл.

**▲ ПРЕДУПРЕЖДЕНИЕ:** Не позволявайте на диска да подскача или да се нащърбва, особено когато обработвате ъгли, остри ръбове и др. Това може да доведе до загуба на контрол и обратен удар.

**▲ ПРЕДУПРЕЖДЕНИЕ:** **НИКОГА** не използвайте инструмента с дискове за рязане на дърво и други циркулярни дискове. Когато се използват с ъглошлайф, тези дискове често отскачат и водят до загуба на контрол и нараняване.

**▲ ВНИМАНИЕ:** Не включвайте инструмента, когато е в контакт с детайла, защото има опасност от нараняване на оператора.

**▲ ВНИМАНИЕ:** По време на работа задължително носете предпазни очила или маска за лицето.

**▲ ВНИМАНИЕ:** След приключване на работа изключете инструмента и изчакайте дискът да спре окончателно, преди да го оставите на земята.

**▲ ВНИМАНИЕ:** **ВИНАГИ** дръжте инструмента здраво с едната ръка за корпуса, а с другата – за страничната ръкохватка (дръжка).

## Шлайфане и шлифование

► Фиг.22

Включете инструмента и след това допрете диска до детайла за обработване.

Общо взето дръжте ръба на диска под ъгъл от около 15° спрямо повърхността на обработваемия детайл. През периода на разработване на нов диск не работете с ъглошлайфа в посока напред, иначе ще се вреже в обработваемия детайл. Когато ръбът на диска е окръглен от използване, с диска може да се работи както в посока напред, така и в посока назад.

## Работа с абразивен диск за рязане/диамантен диск

*Допълнителни аксесоари*

**▲ ПРЕДУПРЕЖДЕНИЕ:** Не „заклинвайте“ диска и не упражнявайте прекален натиск. Не се опитвайте да режете прекалено дълбоко. Прекомерният натиск върху диска увеличава натоваарването и вероятността дискът да се усуче или да задере в разреза, както и вероятността от обратен удар, счупване на диска и прегряване на двигателя.

**▲ ПРЕДУПРЕЖДЕНИЕ:** Не започвайте да режете с диск, опрян на детайла за обработване. Изчакайте диска да достигне пълни обороти и внимателно го вкарайте в среза, като движите инструмента напред по повърхността на детайла за обработване. Дискът може да задере, да излезе или да произведе обратен удар, ако инструментът бъде включен, докато е в допир с обработвания детайл.

**▲ ПРЕДУПРЕЖДЕНИЕ:** Не променяйте ъгла на диска по време на рязане. Упражняването на страничен натиск върху диска за рязане (като при шлайфане) ще доведе до спукване и счупване на диска и тежко нараняване.

**▲ ПРЕДУПРЕЖДЕНИЕ:** Диамантените дискове трябва да се държат перпендикулярно на материала, който се реже.

Пример за употреба: работа с абразивен диск за рязане  
► Фиг.23

Пример за употреба: работа с диамантен диск  
► Фиг.24

## Работа с телена четка

*Допълнителни аксесоари*

**▲ ВНИМАНИЕ:** Проверете работата на четката чрез включване на инструмента без товар, след като сте се уверили, че няма никого пред или до четката.

**БЕЛЕЖКА:** Не прекалявайте с натиска, тъй като това предизвиква прекомерно огъване на теловете при работа с чашковидната телена четка. Това може да доведе до преждевременното им отчупване.

Пример за употреба: работа с чашковидната телена четка  
► Фиг.25

## Работа с кръгла телена четка

*Допълнителни аксесоари*

**▲ ВНИМАНИЕ:** Проверете дали кръглата телена четка работи, като включите инструмента без товар, след като сте се уверили, че няма никого пред или до четката.

**БЕЛЕЖКА:** Не прекалявайте с натиска, понеже това предизвиква прекомерно огъване на теловете при работа с кръглата телена четка. Това може да доведе до преждевременното им отчупване.

Пример за употреба: работа с кръгла телена четка  
► Фиг.26

## Почистване на вентилационните отвори

Инструментът и неговите вентилационни отвори трябва да се поддържат чисти. Почиствайте вентилационните отвори на инструмента редовно или когато започнат да се запушват.

- Фиг.27: 1. Изходящ вентилационен отвор  
2. Входящ вентилационен отвор

Свалете капака против прах от отвора за засмукване на въздух и го почистете, за да има по-добра циркулация на въздух.

- Фиг.28: 1. Капак против прах

**БЕЛЕЖКА:** Почистете капака против прах, ако е задръстен с прах или чужди тела. Ако продължите да работите със задръстен капак против прах, може да повредите инструмента.

## ПОДДРЪЖКА

**ВНИМАНИЕ:** Преди да проверявате или извършвате поддръжка на инструмента, се уверете, че той е изключен и акумулаторната батерия е извадена.

**БЕЛЕЖКА:** Не използвайте бензин, нафта, разреждател, спирт и др. подобни. Това може да причини обезцветяване, деформация или пукнатини.

За да се поддържа БЕЗОПАСНОСТТА и НАДЕЖНОСТТА на инструмента, ремонтите, обслужването или регулирането трябва да се извършват от упълномощен сервиз на Makita, като се използват резервни части от Makita.

## ДОПЪЛНИТЕЛНИ АКСЕСОАРИ

**ВНИМАНИЕ:** Препоръчва се използването на тези аксесоари или накрайници с вашия инструмент Makita, описан в настоящото ръководство. Използването на други аксесоари или накрайници може да доведе до опасност от телесни повреди. Използвайте съответния аксесоар или накрайник само по предназначение.

Ако имате нужда от помощ за повече подробности относно тези аксесоари, се обърнете към местния сервизен център на Makita.

- Оригинална акумулаторна батерия и зарядно устройство на Makita

► Фиг.29

–	Модел 150 мм (6")
1	Ръкохватка 36
2	Предпазител на диска (за диск за шлифване)
3	Вътрешен фланец
4	Диск с вдлъбнат център/Ламелен диск
5	Фиксираща гайка
6	Опорна подложка
7	Гъвкав диск
8	Гумена подложка 125
9	Абразивен диск
10	Фиксираща гайка за абразивни дискове
11	Кръгла телена четка
12	Телена четка
13	Предпазител на диска (за диск за рязане) *1
14	Абразивен диск за рязане/диамантен диск
–	Ключ за фиксираща гайка

**ЗАБЕЛЕЖКА:** \*1 Когато в Европейските страни се използва диамантен диск, вместо специалния предпазител покриващ и двете страни на диска може да се използва обикновения предпазител. Спазвайте законовите разпоредби във вашата страна.

**ЗАБЕЛЕЖКА:** Някои артикули от списъка може да са включени в комплекта на инструмента, като стандартни аксесоари. Те може да са различни в различните държави.

## SPECIFIKACIJE

<b>Model:</b>		<b>GA036G</b>
Promjer ploče		150 mm (6")
Maks. debljina ploče		6,4 mm
Navoj vretena		M14 ili 5/8" (ovisno o zemlji)
Nazivna brzina (n)		8.500 min <sup>-1</sup>
Ukupna dužina	uz BL4025	398 mm
	uz BL4040	410 mm
Neto težina		3,1 – 3,7 kg
Nazivni napon		DC 36 V – 40 V

- Zahvaljujući našem stalnom programu razvoja i istraživanja, navedene specifikacije podložne su promjenama bez obavijesti.
- Specifikacije mogu biti različite ovisno o zemlji.
- Težina se može razlikovati ovisno o opremi, uključujući baterijski uložak. Najlakša i najteža kombinacija, sukladno postupku EPTA 01/2014, prikazane su u nastavku.

### Odgovarajući baterijski uložak i punjač

Baterija	BL4025 / BL4040
Punjač	DC40RA

- Neki od navedenih baterijskih uložaka i punjača možda neće biti dostupni ovisno o regiji u kojoj se nalazite.

**⚠ UPOZORENJE:** Upotrebite samo navedene baterijske uloške i punjače. Upotreba bilo koje druge vrste baterijskih uložaka i punjača može prouzročiti ozljede i/ili požar.

### Namjena

Alat je namijenjen za brušenje, fino brušenje, četkanje žičanom četkom i rezanje u metalu i kamenu bez upotrebe vode.

### Buka

Tipična jačina buke označena s A, određena sukladno EN60745-2-3:

Razina tlaka zvuka ( $L_{pA}$ ): 82 dB (A)

Razina snage zvuka ( $L_{WA}$ ): 93 dB (A)

Neodređenost (K): 3 dB (A)

**NAPOMENA:** Deklarirana vrijednost emisije buke izmjerena je prema standardnoj metodi testiranja i može se rabiti za usporedbu jednog alata s drugim.

**NAPOMENA:** Deklarirana vrijednost emisije buke također se može rabiti za preliminarnu procjenu izloženosti.

**⚠ UPOZORENJE:** Nosite zaštitu za uši.

**⚠ UPOZORENJE:** Emisija buke tijekom stvarnog korištenja električnog ručnog alata se može razlikovati od deklariranih vrijednosti emisije, ovisno o načinu na koji se alat rabi, posebice ovisno o tome kakav se izradak izrađuje.

**⚠ UPOZORENJE:** Nemojte zaboraviti da identifikirate sigurnosne mjere zaštite rukovatelja koje se temelje na procjeni izloženosti u stvarnim uvjetima korištenja (uzimajući u obzir sve dijelove radnog ciklusa, poput vremena kada je alat isključen i kada on radi u praznom hodu, a također i vrijeme okidanja).

### Vibracija

Ukupna vrijednost vibracija (troosni vektorski zbir) izračunata u skladu s EN60745-2-3:

Način rada: brušenje površine s normalnim bočnim rukohvatom

Emisija vibracija ( $a_{h,AG}$ ): 9,0 m/s<sup>2</sup>

Neodređenost (K): 1,5 m/s<sup>2</sup>

Način rada: brušenje površine s antivibracijskim bočnim rukohvatom

Emisija vibracija ( $a_{h,AG}$ ): 9,0 m/s<sup>2</sup>

Neodređenost (K): 1,5 m/s<sup>2</sup>

Način rada: disk za fino brušenje s normalnim bočnim rukohvatom

Emisija vibracija ( $a_{h,DS}$ ): 4,0 m/s<sup>2</sup>

Neodređenost (K): 1,5 m/s<sup>2</sup>

Način rada: disk za fino brušenje s antivibracijskim bočnim rukohvatom

Emisija vibracija ( $a_{h,DS}$ ): 3,5 m/s<sup>2</sup>

Neodređenost (K): 1,5 m/s<sup>2</sup>

**NAPOMENA:** Deklarirana vrijednost ukupnih vibracija izmjerena je prema standardnoj metodi testiranja i može se rabiti za usporedbu jednog alata s drugim.

**NAPOMENA:** Deklarirana vrijednost ukupnih vibracija također se može rabiti za preliminarnu procjenu izloženosti.



**⚠️ UPOZORENJE:** Emisija vibracija tijekom stvarnog korištenja električnog ručnog alata se može razlikovati od deklariranih vrijednosti emisije, ovisno o načinu na koji se alat rabi, posebice ovisno o tome kakav se izradak izrađuje.

**⚠️ UPOZORENJE:** Nemojte zaboraviti da identifikirate sigurnosne mjere zaštite rukovatelja koje se temelje na procjeni izloženosti u stvarnim uvjetima korištenja (uzimajući u obzir sve dijelove radnog ciklusa, poput vremena kada je alat isključen i kada on radi u praznom hodu, a također i vrijeme okidanja).

**⚠️ UPOZORENJE:** Deklarirana vrijednost emisije vibracija se rabi kod glavnih primjena električnog ručnog alata. Međutim, ako se električni ručni alat koristi za druge primjene, vrijednost emisije vibracija se može razlikovati.

## Izjava o sukladnosti EZ

### Samo za države članice Europske unije

Izjava o sukladnosti EZ u prilogu je Priloga A ovih uputa za upotrebu.

## SIGURNOSNA UPOZORENJA

### Opća sigurnosna upozorenja za električne ručne alate

**⚠️ UPOZORENJE:** Pročitajte sva sigurnosna upozorenja, upute, ilustracije i specifikacije priložene uz ovaj električni ručni alat. Nepridržavanje svih uputa navedenih u nastavku može rezultirati strujnim udarom, požarom i/ili ozbiljnim ozljedama.

### Sačuvajte sva upozorenja i upute radi kasnijeg korištenja.

Pojam „električni alat“ u upozorenjima odnosi se na električni (kabelski) alat uključen u struju ili na bežične električne alate (na baterije).

### Sigurnosna upozorenja za bežičnu brusilicu

Sigurnosna upozorenja zajednička za brušenje, fino brušenje, četkanje žičanom četkom ili operacije abrazivnog rezanja:

1. **Ovaj električni ručni alat namijenjen je za uporabu kao brusilica, fina brusilica, žičana četka ili rezni alat. Pročitajte sva sigurnosna upozorenja, upute, ilustracije i specifikacije priložene uz ovaj električni ručni alat. Nepridržavanje svih uputa navedenih u nastavku može rezultirati strujnim udarom, požarom i/ili ozbiljnim ozljedama.**
2. **Ne preporučujemo izvođenje postupaka poput poliranja s ovim električnim ručnim alatom.** Radnje za koje električni alat nije namijenjen mogu stvoriti opasnost i prouzročiti ozljede.

3. **Nemojte rabiti dodatke koji nisu izričito nije dizajnirao i preporučio proizvođač.** Samo zato što se dodatak može montirati na vaš električni ručni alat ne znači da je zajamčen siguran rad.
4. **Nazivna brzina dodatka mora biti najmanje jednaka maksimalnoj brzini navednoj na električnom ručnom alatu.** Dodaci koji rade brže od nazivne brzine mogu se slomiti i dijelovi se mogu razletjeti naokolo.
5. **Vanjski promjer i debljina dodataka mora odgovarati nazivnom kapacitetu električnog alata.** Neispravni dodaci ne mogu se primjereno zaštititi ni kontrolirati.
6. **Dodaci koji se montiraju na navoj moraju se podudarati s navojem vretena na brusilici. Ako montirate dodatke na prirubnice, otvor za trn na dodatku mora odgovarati vodećem promjeru prirubnice.** Dodaci koji ne odgovaraju priboru za montažu električnog ručnog alata bit će izbačeni iz ravnoteže, previše će vibrirati i mogu uzrokovati gubitak kontrole.
7. **Ne rabite oštećene dodatke. Prije svake uporabe provjerite dodatke, primjerice ima li na abrazivnim pločama krhovina i pukotina, ima li na podlošku pukotina, kidanja ili prekomjerne istrošenosti, je li žičana četka te ima olabavljene ili prekinute žice. Ako vam električni ručni alat ili dodatak ispadne, provjerite ima li oštećenja ili postavite neoštećeni dodatak. Nakon provjere i postavljanja dodatka odmaknite se i udaljite promatrač od ravnine rotirajućeg pribora i pustite električni ručni alat da jednu minutu radi bez opterećenja pri maksimalnoj brzini. Oštećeni dodaci obično se slome tijekom ovog testa.**
8. **Nosite osobnu zaštitnu opremu. Ovisno o primjeni koristite štitnik za lice, zaštitu za oči ili zaštitne naočale. Ako je potrebno, nosite masku za prašinu, zaštitu za uši, rukavice i radioničku pregaču koja može zaustaviti male abrazivne djelice ili djelice izratka. Zaštita za oči mora zaustaviti leteće krhotine koje su moguće pri izvođenju brojnih zadataka. Zaštita za oči mora zaustaviti leteće krhotine nastale uslijed raznih radnji. Dulja izloženost jakoj buci može prouzročiti gubitak sluha.**
9. **Držite druge osobe na sigurnoj udaljenosti od radnog područja. Svako tko uđe u radno područje mora nositi osobnu zaštitnu opremu.** Djelici izratka ili polomljenog dodatka mogu odletjeti i prouzročiti ozljede izvan neposrednog radnog područja.
10. **Držite električni ručni alat za izolirane ruko-hvatne površine kada izvodite operaciju pri kojoj rezni dodatak može doći u dodir sa skrivenim vodičima.** Dodir s vodičem pod naponom može dovesti pod napon izložene metalne dijelove električnog ručnog alata te prouzročiti strujni udar kod rukovatelja.
11. **Nikada ne spuštajte električni ručni alat sve dok se dodatak potpuno ne zaustavi.** Rotirajući dodatak može zahvatiti površinu i električni ručni alat se može oteći vašoj kontroli.
12. **Nemojte uključivati električni ručni alat dok ga nosite pored sebe.** Slučajni dodir s rotirajućim dodatkom može zahvatiti vašu odjeću, povlačeći dodatak prema vašem tijelu.

13. **Redovito čistite ventilacijske otvore električnog ručnog alata.** Ventilator motora će uvući prašinu u kućište, a prekomjerno nakupljanje metalne prašine predstavlja opasnost od strujnog udara.
14. **Ne radite s električnim ručnim alatom u blizini zapaljivih materijala.** Iskre mogu zapaliti te materijale.
15. **Ne rabite dodatke koji zahtijevaju rashladne tekućine.** Korištenje vode ili drugih rashladnih tekućina može rezultirati smrću ili šokom uslijed strujnog udara.
3. **Štitnik se mora čvrsto montirati na električni ručni alat i namjestiti tako da bude maksimalno siguran, tako da najmanji dio ploče bude izložen prema rukovatelju.** Štitnik pomaže rukovatelju da se zaštiti od odlomljenih djelića ploče, slučajnog dodirivanja ploče i iskri koje bi mogle zapaliti odjeću.
4. **Ploče se smiju koristiti samo za preporučene primjene. Primjerice: nemojte brusiti bočnom stranom rezne ploče.** Abrazivne rezne ploče namijenjene su periferom brušenju, a bočne sile koje djeluju na ove ploče mogu uzrokovati njihov lom.

#### **Povratni udar i povezana upozorenja**

Povratni udar je trenutna reakcija na priklještenu ili zaglavljenu rotirajuću ploču, podlošku, četku ili bilo koji drugi dodatak. Priklještenje ili zaglavljivanje uzrokuje brzo zaustavljanje rotirajućeg dodatka, što opet dovodi do prinudnog okretanja električnog ručnog alata u smjeru suprotnom od smjera okretanja dodatka u točki spajanja. Ako je, primjerice, izradak zaglavio ili priklještio abrazivnu ploču, rub ploče koji ulazi u točku priklještenja može se ukopati u površinu materijala, što će dovesti do iskakanja ili izbacivanja ploče. Ploča može skočiti prema rukovatelju ili odskočiti od njega, ovisno o smjeru kretanja ploče u točki priklještenja. Abrazivne bi se ploče pod tim okolnostima mogle i slomiti. Povratni udar rezultat je pogrešne uporabe električnog ručnog alata i/ili nepravilnih radnih postupaka ili uvjeta i može se spriječiti poduzimanjem prikladnih mjera opreza kao što je navedeno u nastavku.

1. **Čvrsto držite električni ručni alat, a svoje tijelo ili ruku namjestite tako da možete izdržati sile povratnog udara.** Uvijek koristite pomoćnu ruku, ako postoji, radi maksimalne kontrole povratnog udara ili reakcije uslijed torzionog momenta tijekom pokretanja. Rukovatelj može kontrolirati reakcije uslijed torzionog momenta ili sile povratnog udara ako poduzme prikladne mjere opreza.
2. **Nikada ne stavljajte ruku blizu rotirajućeg dodatka.** Može doći do odbačaja dodatka unatrag preko vaše ruke.
3. **Tijelo držite podalje od područja gdje bi se električni ručni alat mogao pomaknuti ako dođe do povratnog udara.** Povratni udar gurnuti će alat u smjeru suprotnom od kretanja ploče u točki zaglavljivanja.
4. **Budite posebno oprezni kada obrađujete kutove, oštre rubove, itd. Spriječite odskakivanje i zaglavljivanje dodatka.** Kutovi, oštri rubovi ili odskakivanje mogu zaglaviti rotirajući dodatak i prouzročiti gubitak kontrole ili povratni udar.
5. **Nemojte montirati list za rezanje drveta za lančane pile niti nazubljeni list pile.** Takvi listovi dovode do čestih povratnih udara i gubitka kontrole.

#### **Sigurnosna upozorenja specifična za brušenje i abrazivno rezanje:**

1. **Rabite samo one vrste ploča koje su preporučene za vaš električni ručni alat i poseban štitnik za odabranu ploču.** Ploče koje nisu predviđene za upotrebu s alatom ne mogu se zaštititi na odgovarajući način i nisu sigurne.
2. **Brusna površina koljenastih ploča mora se montirati ispod ravnine ruba štitnika.** Neispravno montirana ploča koja strši kroz ravninu ruba štitnika ne može se primjereno zaštititi.

4. **Ploče se smiju koristiti samo za preporučene primjene. Primjerice: nemojte brusiti bočnom stranom rezne ploče.** Abrazivne rezne ploče namijenjene su periferom brušenju, a bočne sile koje djeluju na ove ploče mogu uzrokovati njihov lom.
5. **Uvijek rabite neoštećene prirubnice ploča ispravnog promjera za odabranu ploču.** Ispravne prirubnice ploča podupiru ploče, smanjujući mogućnost njihovog pucanja. Prirubnice za rezne ploče mogu se razlikovati od prirubnica brusnih ploča.
6. **Ne upotrebljavajte istrošene ploče s većih električnih ručnih alata.** Ploče namijenjene većim električnim ručnim alatima nisu prikladne za veću brzinu manjeg alata i mogu puknuti.

#### **Dodatna sigurnosna upozorenja specifična za abrazivno rezanje:**

1. **Nemojte „zaglavljivati“ reznu ploču niti primjenjivati prekomjerni pritisak. Nemojte pokušavati napraviti preduboki rez.** Prekomjerno naprezanje ploče povećava opterećenje i osjetljivost na uvijanje ili zaglavljivanje ploče u rezu, kao i mogućnost povratnog udara ili pucanja ploče.
2. **Tijelo nemojte držati u ravnini niti iza rotirajuće ploče.** Ako se ploča u trenutku rada udaljava od vašeg tijela, mogući povratni udar može gurnuti rotirajuću ploču naprijed i gurnuti električni ručni alat direktno na vas.
3. **Kada se ploča zaglavi ili se rezanje iz nekog razloga prekine, isključite električni ručni alat i držite ga u nepokretnom stanju sve dok se ploča u potpunosti ne zaustavi. Nikada nemojte pokušavati vaditi ploču iz reza dok se rezna ploča okreće jer može doći do povratnog udara.** Ispitajte i poduzmite korektivnu mjeru kako biste otklonili uzrok zaglavljivanja ploče.
4. **Nemojte ponovno pokretati postupak rezanja na izratku. Pustite ploču da dostigne punu brzinu i oprezno ponovno krenite rezati.** Ako se električni ručni alat ponovno pokrene u izratku, ploča se može zaglaviti, podići ili napraviti povratni udar.
5. **Poduprite ploče i svaki veći izradak kako biste minimizirali rizik od priklještenja i povratnog udara.** Veliki izratci često popuštaju pod vlastitom težinom. Ispod izratka, blizu linije reza i blizu ruba izratka na obje strane ploče moraju se postaviti potpore.
6. **Budite posebno oprezni kada režete „džepove“ u postojećim zidovima ili drugim slijepim površinama.** Prodiruća ploča može prerezati cijevi za plin i vodu, električne žice ili predmete koji mogu prouzročiti povratni udar.

#### **Sigurnosna upozorenja specifična za fino brušenje:**

1. **Nemojte koristiti preveliki brusni papir za disk.** Pri odabiru brusnog papira slijedite preporuke proizvođača. Veći brusni papir koji strši izvan podloška za brušenje predstavlja opasnost od cijepanja i može prouzročiti zaglavljivanje, kidanje diska ili povratni udar.

**Sigurnosna upozorenja specifična za radnje koje se obavljaju žičanom četkom:**

1. **Imajte na umu da s četke ispadaju čekinje čak i tijekom običnog rada. Nemojte previše naprezati žice prekomjernim opterećivanjem četke.** Žičane čekinje mogu lako probiti tanku odjeću i/ili kožu.
2. **Ako se za rad pomoću žičane četke preporučuje štitičnik, pazite da štitičnik ne ometa ploču ili četku.** Promjer žičane ploče ili četke može se povećati uslijed radnog opterećenja i centrifugalnih sila.

**Dodatna sigurnosna upozorenja:**

1. **Ako koristite koljenaste brusne ploče, obavezno koristite samo ploče od ojačanih staklenih vlakana.**
2. **NE KORISTITE ploče tipa kamene šalice s ovom brusilicom.** Ova brusilica nije namijenjena za te tipove ploča i korištenje takvog proizvoda može rezultirati ozbiljnim ozljedama.
3. **Pazite da ne oštetite vreteno, prirubnicu (posebno instalacijsku površinu) ili sigurnosnu maticu.** Oštećenje tih dijelova može uzrokovati pucanje ploče.
4. **Prije uključivanja sklopke provjerite dodiruje li pločak izradak.**
5. **Prije nego što upotrijebite alat na stvarnom izratku, pustite ga da radi neko vrijeme.** Obratite pažnju na vibraciju ili ljuljanje koje bi moglo ukazivati na lošu instalaciju ili loše balansiranu ploču.
6. **Rabite navedenu površinu ploče za brušenje.**
7. **Ne ostavljajte alat da radi.** Alatom radite isključivo držeći ga u ruci.
8. **Ne dodirujte izradak odmah nakon rada; može biti izuzetno vruć i mogao bi vas opeći.**
9. **Ne dodirujte dodatni pribor odmah nakon rada; može biti izuzetno vruć i mogao bi vam opeći kožu.**
10. **Slijedite upute proizvođača za pravilnu montažu i uporabu ploča.** Pozorno rukujte i skladištite ploče.
11. **Ne koristite čahure ili adaptere za redukciju za podešavanje abrazivnih ploča s velikim otvorom.**
12. **Koristite samo prirubnice propisane za ovaj alat.**
13. **Za alate koji trebaju biti opremljeni pločom s navojnim otvorom provjerite je li navoj ploče dovoljno dug za dotično vreteno.**
14. **Provjerite je li izradak pravilno podložen.**
15. **Imajte na umu da se ploča i dalje okreće nakon isključivanja alata.**
16. **Ako je radno mjesto iznimno vruće i vlažno ili puno prašine koja provodi električnu energiju, upotrijebite kratkospojnu učinsku sklopku (30 mA) kako rukovateljeva sigurnost ne bi bila ugrožena.**
17. **Ne koristite alat na materijalima koji sadrže azbest.**
18. **Kada koristite reznu ploču, uvijek radite sa štitičnikom ploče protiv prašine sukladno lokalnim zakonskim propisima.**

19. **Rezni diskovi ne smiju se bočno pritiskati.**
20. **Nemojte nositi platnene rukavice tijekom rada.** Vlakna iz platnenih rukavica mogu ući u alat, što uzrokuje pucanje alata.
21. **Provjerite da nema električnih kabela, cijevi za vodu, plinskih cijevi i sl. koje mogu prouzročiti opasnost ako se pri upotrebi alata oštete.**

## ČUVAJTE OVE UPUTE.

**▲UPOZORENJE: NEMOJTE** dozvoliti da udobnost ili znanje o proizvodu (stečeno stalnim korištenjem) zamijene strogo pridržavanje sigurnosnih propisa za određeni proizvod. **ZLOUPORABA** ili nepridržavanje sigurnosnih propisa navedenih u ovom priručniku s uputama mogu prouzročiti ozbiljne ozljede.

## Važne sigurnosne upute za bateriju

1. **Prije uporabe baterije pročitajte sve upute i oznake upozorenja na (1) punjaču za baterije, (2) bateriji i (3) proizvodu koji koristi bateriju.**
2. **Nemojte rastavljati ili izmjenjivati baterijski uložak.** To može dovesti do požara, pretjeranog zagrijavanja ili eksplozije.
3. **Ako se vrijeme rada znatno skratilo, odmah prestanite raditi.** Može doći do pregrijavanja, mogućih opekline pa čak i eksplozije.
4. **Ako vam elektrolit dospje u oči, isperite ih čistom vodom i odmah se obratite liječniku.** Tako možete izgubiti vid.
5. **Nemojte kratko spajati bateriju:**
  - (1) **Ne dovodite terminale u kontakt s provodljivim materijalima.**
  - (2) **Ne čuvajte bateriju u spremniku s drugim metalnim predmetima poput čavala, kovanica itd.**
  - (3) **Ne izlažite bateriju vodi ili kiši.** Kratki spoj baterije može uzrokovati velik protok struje, pregrijavanje, moguće opekline pa čak i kvar.
6. **Ne držite i ne upotrebljavajte alat i baterijski uložak na mjestima gdje temperatura može premašiti 50 °C (122 °F).**
7. **Ne spaljujte bateriju čak ni ako je ozbiljno oštećena ili potpuno istrošena.** Baterija može eksplodirati u vatri.
8. **Nemojte zabijati čavle u baterijski uložak, rezati ga, gnječiti, bacati ili udarati tvrdim predmetom.** Ti postupci mogu dovesti do požara, pretjeranog zagrijavanja ili eksplozije.
9. **Ne koristite oštećene baterije.**
10. **Sadržane litij-ionske baterije podliježu odredbama zakonskih propisa o opasnim tvarima.** Kada se radi o komercijalnom transportu koji obavljaju npr. dobavljači ili špediteri, moraju se poštovati posebni zahtjevi na pakiranju i oznakama. Prilikom pripreme isporuke takve stavke potražite savjet stručnjaka za opasne tvari. Pogledajte i moguće podrobnije nacionalne propise. Prekrijte trakom ili zaštitite otvorene kontakte i bateriju zapakirajte tako da se ne može pomicati u pakiranju.

11. Kada odlažete baterijski uložak u otpad, uklonite ga iz alata i zbrinite na sigurnom mjestu. Pridržavajte se lokalnih zakonskih propisa za zbrinjavanje baterija.
12. Upotrebljavajte baterije samo s proizvodima koje je odobrila tvrtka Makita. Umetanje baterija u neprikladne proizvode može dovesti do požara, prekomjerne topline, eksplozije ili curenja elektrolita.
13. Ako se alat ne upotrebljava dulje vrijeme, bateriju morate ukloniti iz alata.
14. Tijekom i nakon upotrebe baterijski uložak može se zagrijati i prouzročiti opekline višeg ili nižeg stupnja. Pažljivo rukujte vrućim baterijskim ulošcima.
15. Nemojte dirati priključak alata neposredno nakon upotrebe jer se može zagrijati toliko da prouzroči opekline.
16. Ne dopustite da krhotine, prašina ili zemlja zapnu u priključcima, otvorima i urezima baterijskog uloška. To može dovesti do neispravnog rada ili kvara alata ili baterijskog uloška.
17. Ako alat ne podržava upotrebu u blizini visokonaponskih električnih vodova, nemojte upotrebljavati baterijski uložak u blizini a visokonaponskih električnih vodova. To može dovesti do neispravnog rada ili kvara alata ili baterijskog uloška.
18. Bateriju čuvajte podalje od djece.

## ČUVAJTE OVE UPUTE.

**⚠OPREZ:** Uvijek upotrebljavajte originalne baterije Makita. Upotreba baterija koje nisu originalne baterije Makita ili su izmijenjene može dovesti do rasprskavanja baterije i uzrokovati požar, tjelesnu ozljedu ili štetu. To će također poništiti jamstvo tvrtke Makita za alat i punjač Makita.

## Savjeti za održavanje najduljeg vijeka trajanja baterije

1. Napunite bateriju prije nego što se potpuno isprazni. Uvijek zaustavite alat i napunite bateriju kad primijetite da alat slabije radi.
2. Nikad ne punite već do kraja napunjenu bateriju. Pretjerano punjenje skraćuje radni vijek baterije.
3. Bateriju puniti na sobnoj temperaturi između 10 °C i 40 °C. Vruću bateriju prije punjenja ostavite da se ohladi.
4. Kada ne upotrebljavate baterijski uložak, uklonite ga iz alata ili punjača.
5. Napunite bateriju ako je ne mislite koristiti duže vrijeme (duže od 6 mjeseci).

## FUNKCIONALNI OPIS

**⚠OPREZ:** Prije podešavanja ili provjere rada alata obavezno provjerite je li stroj isključen i baterija uklonjena.

## Umetanje ili uklanjanje baterije

**⚠OPREZ:** Uvijek isključite alat prije umetanja ili uklanjanja baterije.

**⚠OPREZ:** Čvrsto držite alat i bateriju pri umetanju ili uklanjanju baterije. Ako alat i bateriju ne držite čvrsto, mogli bi vam iskliznuti iz ruku te oštetiti alat i bateriju ili uzrokovati osobnu ozljedu.

► **SI.1:** 1. Crvena oznaka 2. Gumb 3. Baterija

Za uklanjanje bateriju gurnite van iz alata pritiskom gumba na prednjoj strani uloška.

Za umetanje baterijskog uloška poravnajte jezičac na baterijskom ulošku s otvorom na kućištu i gurnite ga na mjesto. Umetnite baterijski uložak do kraja dok ne sjedne na svoje mjesto uz mali klik. Ako možete vidjeti crvenu oznaku na gornjoj strani gumba, baterijski uložak nije do kraja sjeo na svoje mjesto.



















**⚠OPREZ:** Uvijek umetnite baterijski uložak do kraja tako da ne možete vidjeti crvenu oznaku. U suprotnom može slučajno ispasti iz alata, što može dovesti do ozljede vas ili nekog u blizini.

**⚠OPREZ:** Ne umećite bateriju silom. Ako baterija ne klizne lagano, znači da nije ispravno umetnuta.

## Prikaz preostalog kapaciteta baterije

Pritisnite gumb za provjeru na bateriji kako biste provjerili preostali kapacitet baterije. Žaruljica indikatora zasvijetlit će na nekoliko sekundi.

► **SI.2:** 1. Žaruljice indikatora 2. Gumb za provjeru

Žaruljice indikatora			Preostali kapacitet
 Svijetli	 Isključeno	 Treperi	
			75 % do 100 %
			50 % do 75 %
			25 % do 50 %
			0 % do 25 %
			Napunite bateriju.
			Baterija je možda neispravna.
			

**NAPOMENA:** Ovisno o uvjetima upotrebe i temperaturi okoline, prikaz indikatora može se donekle razlikovati od stvarnog kapaciteta.

**NAPOMENA:** Prva (krajnja lijeva) žaruljica indikatora treperit će dok radi sustav za zaštitu baterije.

## Sustav zaštite alata/baterije

Ovaj alat sadrži sustav zaštite alata/baterije. Sustav automatski prekida napajanje motora da bi produžio vijek trajanja alata i baterije. Alat automatski prestaje raditi ako se alat ili baterija nađu u nekom od sljedećih uvjeta:

### Zaštita od preopterećenja

Kad alat/baterija radi na način uslijed kojega troši neuobičajeno puno struje, automatski će se zaustaviti bez ikakve signalizacije. U tom slučaju isključite alat i prekinite radnje koje su izazvale preopterećenje alata. Zatim uključite alat kako biste ga pokrenuli.

### Zaštita od pregrijavanja

Kad se alat/baterija pregrije, alat se automatski zaustavlja. Pričekajte da se alat ohladi prije nego što ga ponovno uključite.

### Zaštita od prekomjernog pražnjenja

Ako kapacitet baterije nije dovoljan, alat se automatski zaustavlja. U tom slučaju izvadite baterijski uložak iz alata i napunite ga.

### Otpuštanje zaštitne blokade

Ako sustav zaštite ponavljano radi, alat je blokiran. U tom slučaju alat se ne pokreće čak i ako isključite i uključite alat. Da biste otpustili zaštitnu blokadu, uklonite bateriju, postavite je u punjač baterije i pričekajte dok se ne završi punjenje.

## Blokada vretena

Pritisnite blokadu vretena kako se vreteno ne bi okretalo kada postavljate ili skidate dodatnu opremu.

► **Sl.3:** 1. Blokada vretena

**NAPOMENA:** Nikada nemojte aktivirati blokadu vretena dok vreteno radi. Može se oštetiti alat.

## Uključivanje i isključivanje

**▲OPREZ:** Prije postavljanja baterije u alat provjerite radi li ručica prekidača i vraća li se u položaj za isključivanje „OFF” nakon otpuštanja.

**▲OPREZ:** Radi vaše sigurnosti, ovaj je alat opremljen ručicom za blokadu koja sprječava nehotično pokretanje. **NIKADA** ne upotrebljavajte alat ako se uključi običnim povlačenjem ručice prekidača, a da prethodno niste povukli ručicu za blokadu. Vratite alat u ovlaštení servisni centar na popravak **PRIJE** daljnje upotrebe.

**▲OPREZ:** Nemojte jako vući ručicu prekidača bez povlačenja ručice za blokadu. Tako bi se mogao slomiti prekidač.

**▲OPREZ:** **NIKAD** ne učvršćujte vrpcom polugu za blokadu niti onemogućujte njezinu svrhu i funkciju.

► **Sl.4:** 1. Ručica za blokadu 2. Ručica prekidača

Kako bi se spriječilo negotično povlačenje ručice prekidača, alat ima ručicu za blokadu.

Za pokretanje alata ručicu za blokadu povucite prema sebi pa zatim povucite ručicu prekidača.

Za zaustavljanje alata otpustite ručicu prekidača.

## Funkcija za sprečavanje slučajnog pokretanja

Čak i ako postavljate baterijski uložak dok povlačite ručicu prekidača, alat se ne pokreće. Za pokretanje alata najprije otpustite ručicu prekidača. Zatim povucite ručicu za blokadu i povucite ručicu prekidača.

## Elektronička funkcija kontrole okretnog momenta

Alat elektronički prepoznaje situacije u kojima postoji opasnost od zaglavlivanja ploče ili dodatka. U tom slučaju, alat se automatski isključuje kako bi se spriječilo daljnje okretanje vratila (ne sprječava povratni udar). Kako biste ponovno pokrenuli alat, najprije ga isključite i uklonite uzrok iznenadnog pada brzine okretanja, a zatim ga ponovno uključite.

## Značajka mekog pokretanja (soft-start)

Značajka mekog pokretanja smanjuje reagiranje pri pokretanju.

## MONTAŽA

**▲OPREZ:** Prije podešavanja ili provjere rada alata obavezno provjerite je li stroj isključen i baterija uklonjena.

## Postavljanje bočnog rukohvata (ručke)

**▲OPREZ:** Prije rada uvijek provjerite je li bočni rukohvat sigurno postavljen.

Bočni rukohvat dobro učvrstite na alatu u položaj prikazan na slici.

► **Sl.5**

## Instalacija ili uklanjanje štitnika ploče

**▲UPOZORENJE:** Kada koristite koljenastu brusnu ploču, lepezasti disk, savitljivu ploču ili četku sa žičanom pločom, štitnik ploče mora biti pričvršćen na alat tako da je zatvorena strana štitnika uvijek usmjerena prema rukovatelju.

**▲UPOZORENJE:** Provjerite blokira li ručica za blokadu čvrsto štitnik ploče pomoću jednog od otvora na štitniku ploče.

**▲UPOZORENJE:** Pri upotrebi abrazivne rezne/dijamantne ploče rabite isključivo poseban štitnik namijenjen za uporabu s brusnim pločama.

(U nekim europskim zemljama, kada koristite dijamanntnu ploču, možete upotrijebiti običan štitnik.

Pridržavajte se propisa važećih u vašoj zemlji.)

## Za koljenastu brusnu ploču, lepezasti disk, savitljivu ploču, žičanu četku/ abrazivnu reznu ploču, dijamantnu ploču

1. Dok pritišćete ručicu za blokadu, postavite štitnik ploče tako da izbočine na prstenu štitnika ploče budu poravnate s urezima na kućištu ležaja.  
▶ **SI.6:** 1. Ručica za blokadu 2. Urez 3. Izbočina
2. Dok pritišćete ručicu za blokadu prema A, pritisnete štitnik ploče tako da pritišćete podupirač B kao što je prikazano na slici.  
▶ **SI.7:** 1. Štitnik ploče 2. Otvor

**NAPOMENA:** Štitnik ploče pritisnite ravno dolje. U protivnom štitičnik ploče nećete moći do kraja gurnuti.

3. Dok zadržavate položaj ručice za blokadu i štitičnik ploče na način opisan u koraku 2, okrenite štitičnik ploče prema C, a zatim promijenite kut štitičnika ploče u skladu s radom tako da rukovatelj može biti zaštićen. Poravnajte ručicu za blokadu s jednim od otvora u štitičniku ploče, a zatim otpustite ručicu za blokadu kako biste zaključali štitičnik ploče.  
▶ **SI.8:** 1. Štitnik ploče 2. Otvor

**NAPOMENA:** Do kraja pritisnite štitičnik ploče. U protivnom štitičnik ploče nećete moći okretati.

Za skidanje štitičnika ploče učinite isto obrnutim redoslijedom.

## Postavljanje ili uklanjanje koljenaste brusne ploče ili lepezastog diska

### Dodatni pribor

**▲UPOZORENJE:** Kad se koristi koljenasta brusna ploča ili lepezasti disk, štitičnik ploče mora biti pričvršćen na alat tako da je zatvorena strana uvijek usmjerena prema rukovatelju.

**▲OPREZ:** Pobrinite se da montažni dio unutarnje prirubnice savršeno odgovara unutarnjem promjeru koljenaste brusne ploče/lepezastog diska. Montaža unutarnje prirubnice na pogrešnoj strani može dovesti do opasnih vibracija.

Postavite unutarnju prirubnicu na vreteno. Obavezno postavite udubljeni dio unutarnje prirubnice na ravni dio na dno vretena. Namjestite koljenastu ploču/lepezasti disk na unutarnju prirubnicu i zavijte sigurnosnu maticu na vreteno.  
▶ **SI.9:** 1. Sigurnosna matica 2. Koljenasta brusna ploča 3. Unutarnja prirubnica 4. Montažni dio

Da biste zategnuli sigurnosnu maticu, čvrsto pritisnite gumb za blokadu vretena tako da se vratilo ne može okretati, a zatim ključem čvrsto zategnite sigurnosnu maticu u smjeru kazaljke na satu.  
▶ **SI.10:** 1. Ključ za sigurnosnu maticu 2. Blokada vretena

Za skidanje ploče učinite isto obrnutim redoslijedom.

## Postavljanje ili uklanjanje savitljive ploče

### Dodatni pribor

**▲UPOZORENJE:** Uvijek koristite isporučeni štitičnik kada je savitljiva ploča na alatu. Ploča se tijekom uporabe može razbiti, a štitičnici pomažu da se smanji mogućnost osobnih ozljeda.

- ▶ **SI.11:** 1. Sigurnosna matica 2. Savitljiva ploča 3. Podloška 4. Unutarnja prirubnica

Slijedite upute za koljenastu brusnu ploču, ali preko ploče stavite i podlošku. Potražite redoslijed sastavljanja na stranici s priborom u ovom priručniku.

## Postavljanje ili uklanjanje abrazivnog diska

### Dodatni pribor

- ▶ **SI.12:** 1. Sigurnosna matica za brušenje 2. Abrazivni disk 3. Gumena podloška

1. Postavite gumenu podlošku na vreteno.
2. Namjestite disk na gumenu podlošku i zategnite brusnu sigurnosnu maticu na vreteno.
3. Držite vratilo u blokadi vretena i čvrsto zategnite sigurnosnu maticu za brušenje u smjeru kazaljke na satu ključem za sigurnosne matice.

Za uklanjanje ploče učinite isto što i za postavljanje, ali obrnutim redoslijedom.

**NAPOMENA:** Koristite isključivo dodatke za brušenje nevedene u ovom priručniku. Mora se kupiti zasebno.

## Postavljanje ili uklanjanje Ezyнут matice

### Dodatni pribor

**▲OPREZ:** Nemojte koristiti Ezyнут maticu sa super prirubnicom ili kutnim brusilačem s oznakom „F” na kraju br. modela. Te su prirubnice toliko debele da vreteno ne može pričvrstiti cijeli navoj.

- ▶ **SI.13:** 1. Ezyнут matica 2. Abrazivna ploča 3. Unutarnja prirubnica 4. Vratilo

Postavite unutarnju prirubnicu, abrazivnu ploču i Ezyнут maticu na vreteno tako da je logotip tvrtke Makita na Ezyнут matici okrenut prema van.

- ▶ **SI.14:** 1. Blokada vretena

Čvrsto pritisnite tipku blokade i zategnite Ezyнут maticu okretanjem abrazivne ploče u smjeru kazaljke na satu što dalje može.

Okrenite vanjski prsten Ezyнут matice u smjeru suprotnom od kazaljke na satu da je otpustite.

- ▶ **SI.15:** 1. Strelica 2. Zarez

- ▶ **SI.16**

**NAPOMENA:** Ezyнут matica može se ručno otpustiti dok god je strelica strelica usmjerena prema urezu. U suprotnom je za otpuštanje sigurnosne matice potreban ključ. Umetnite jedan zatik ključa u rupu i okrenite Ezyнут maticu u smjeru suprotnom od kazaljke na satu.

## Postavljanje abrazivne rezne/ dijamantne ploče

### Dodatni pribor

**⚠️ UPOZORENJE:** Pri upotrebi abrazivne rezne/dijamantne ploče rabite isključivo poseban štitić namijenjen za uporabu s brusnim pločama.

(U nekim europskim zemljama, kada koristite dijamanćnu ploču, možete upotrijebiti obićan štitić. Pridrćavajte se propisa vaćećih u vaćoj zemlji.)

**⚠️ UPOZORENJE:** NIKAD nemojte rabiti brusnu ploču za boćno brućenje.

- **SI.17:** 1. Sigurnosna matica 2. Abrazivna rezna ploća/dijamantna ploća 3. Unutarnja pri-rubnica 4. Štitić ploće za abrazivnu reznu ploču/dijamantnu ploču

Za postavljanje slijedite upute za koljenastu brusnu ploču. Smjer postavljanja sigurnosne matice I unutarnje pri-rubnice razlikuje se ovisno o debljini brusne ploće. Pogledajte slike u nastavku.

#### Prilikom postavljanja abrazivne rezne ploće:

- **SI.18:** 1. Sigurnosna matica 2. Abrazivna rezna ploća (tanja od 4 mm) 3. Abrazivna rezna ploća (4 mm ili deblja) 4. Unutarnja pri-rubnica

#### Prilikom postavljanja dijamantne ploće:

- **SI.19:** 1. Sigurnosna matica 2. Dijamantna ploća (tanja od 4 mm) 3. Dijamantna ploća (4 mm ili deblja) 4. Unutarnja pri-rubnica

## Postavljanje žićane ćetke u obliku stoća

### Dodatni pribor

**⚠️ OPREZ:** Nemojte koristiti ćetku koja je oštećena ili koja nije balansirana. Uporaba oštećene ćetke može povećati mogućnost ozljeda uslijed doticaja sa slomljenim žićama ćetke.

- **SI.20:** 1. Žićana ćetka u obliku stoća

Uklonite bateriju iz alata i stavite je naopako da biste omogućili lakši pristup vratilu.

Uklonite sve dodatke s vretena. Umetnite žićanu ćetku u obliku stoća na vreteno i zategnite je isporućenim ključem.

## Postavljanje žićane ćetke

### Dodatni pribor

**⚠️ OPREZ:** Nemojte koristiti ćetku sa žićanom ploćom koja je oštećena ili koja nije balansirana. Uporaba oštećene ćetke sa žićanom ploćom može povećati mogućnost ozljeda uslijed doticaja sa slomljenim žićama ćetke.

**⚠️ OPREZ:** Za ćetku sa žićanom ploćom UVIJEK koristite štitić i provjerite da se promjer kotaća odgovara štitiću. Ploća se tijekom uporabe može razbiti, a štitićnici pomaću da se smanji mogućnost osobnih ozljeda.

- **SI.21:** 1. Žićana ćetka

Uklonite bateriju iz alata i stavite je naopako da biste omogućili lakši pristup vratilu.

Uklonite sve dodatke s vretena. Upletite ćetku sa žićanom ploćom na vreteno i zategnite ključevima.

## RAD

**⚠️ UPOZORENJE:** Zabranjena je primjena sile na alat. Tećina alata osigurava odgovarajući pritisak. U slućaju pretjeranog pritiska postoji opasnost od pucanja ploće.

**⚠️ UPOZORENJE:** UVIJEK zamijenite ploču ako tijekom brućenja ispustite alat.

**⚠️ UPOZORENJE:** Brusnom ploćom ili diskom NE SMIJETE udarati o izradak.

**⚠️ UPOZORENJE:** Vodite računa da ploća ne odskoći ili da se ne okrhne, osobito pri obradi kutova, ošćtrih rubova, itd. To može uzrokovati gubitak kontrole i povratni udar.

**⚠️ UPOZORENJE:** NIKAD ne koristite alat s listovima pile za rezanje drveta i drugim listovima pile. Kada se takvi listovi upotrijebe na brusilici, izazivaju ćeste povratne udarce i gubitak kontrole.

**⚠️ OPREZ:** Ne uključujte alat dok je doticaju s izratkom jer to može uzrokovati ozljede rukovatelja.

**⚠️ OPREZ:** Uvijek nosite zašćtne naoćale ili štitić za lice tijekom rada.

**⚠️ OPREZ:** Nakon završetka rada, uvijek isključite alat i prićekajte dok se potpuno ne zaustavi prije nego što ga odloćite.

**⚠️ OPREZ:** Alat UVIJEK ćvrsto drćite jednom rukom za kućište i drugom za boćni rukohvat (rućku).

## Ošćtrenje i poliranje

- **SI.22**

Uključite alat, a zatim postavite ploču ili disk na izradak. Drćite rub brusne ploće ili diska pod kutom od oko 15° u odnosu na površinu izratka.

Tijekom razdoblja prilagodbe s novom ploćom ne koristite brusilicu u smjeru prema naprijed jer će zarezati izradak. Kada se rub brusne ploće zbog uporabe zaokrući, ploču možete rabiti i u smjeru prema naprijed i u smjeru unatrag.

## Rad s abrazivnom reznom/ dijamantnom pločom

### Dodatni pribor

**⚠ UPOZORENJE:** Nemojte „zaglavljivati“ ploču niti primjenjivati prekomjerni pritisak. Nemojte pokušavati napraviti preduboki rez. Prekomjerno naprezanje povećava opterećenje i osjetljivost na uvijanje ili zaglavljivanje ploče pri rezanju, kao i mogućnost povratnog udara, pucanja ploče i pregrijavanja motora.

**⚠ UPOZORENJE:** Nemojte ponovno pokretati postupak rezanja na izratku. Pustite da ploča dostigne punu brzinu i pažljivo započnite rezati pomičući alat naprijed preko površine izratka. Ako se električni alat pokrene u izratku, ploča se može saviti, podići ili vratiti unatrag.

**⚠ UPOZORENJE:** Tijekom postupaka rezanja, nikada nemojte mijenjati kut brusne ploče. Primjena bočnog pritiska na brusnu ploču (kao prilikom brušenja) uzrokuje pucanje i lomljenje ploče te ozbiljne tjelesne ozljede.

**⚠ UPOZORENJE:** Dijamantna ploča mora se postaviti okomito na materijal koji se reže.

Primjer korištenja: rad s abrazivnom reznom pločom  
▶ Sl.23

Primjer korištenja: rad s dijamantnom pločom  
▶ Sl.24

## Rad sa žičanom četkom

### Dodatni pribor

**⚠ OPREZ:** Provjerite ispravnost četke pokretanjem alata bez opterećenja i pazite da ispred i iza četke nema nikoga.

**NAPOMENA:** Ne pritišćite previše jer bi se tako mogle iskriviti žice prilikom upotrebe žičane četke u obliku stošca. To može prouzročiti preuranjeno pucanje.

Primjer: rad sa žičanom četkom u obliku stošca  
▶ Sl.25

## Rad sa četkom sa žičanom pločom

### Dodatni pribor

**⚠ OPREZ:** Provjerite ispravnost četke sa žičanom pločom pokretanjem alata bez opterećenja i pazite da ispred i iza četke nema nikoga.

**NAPOMENA:** Ne pritišćite previše jer bi se tako mogle iskriviti žice prilikom upotrebe četke sa žičanom pločom. To može prouzročiti preuranjeno pucanje.

Primjer korištenja: rad sa žičanom četkom  
▶ Sl.26

## ODRŽAVANJE

**⚠ OPREZ:** Prije svih zahvata na stroju provjerite jeste li isključili stroj i uklonili bateriju.

**NAPOMENA:** Nikada nemojte koristiti benzin, mješavinu benzina, razrjeđivač, alkohol ili slično. Kao rezultat toga može se izgubiti boja, pojaviti deformacija ili pukotine.

Da biste zadržali SIGURNOST I POUZDANOST proizvoda, održavanje ili namještanja morate prepustiti ovlaštenim Makita servisnim centrima, uvijek rabite originalne rezervne dijelove.

## Čišćenje ventilacijskih otvora

Alat i njegovi ventilacijski otvori se moraju držati čistim. Redovito čistite ventilacijske otvore ili kad god se otvori začepe.

▶ Sl.27: 1. Ispušni otvor 2. Usisni otvor

Uklonite poklopac za prašinu s ulaznog otvora ventilacije i očistite ga za neprekinuti protok zraka.

▶ Sl.28: 1. Zaštitni pokrov

**NAPOMENA:** Očistite poklopac za zaštitu od prašine kada je začepljen prašinom ili stranim tvarima. Nastavak rada sa začepljenim poklopcem za prašinu može oštetiti alat.



# DODATNI PRIBOR

**⚠ OPREZ:** Ovaj dodatni pribor ili priključci preporučuju se samo za upotrebu s alatom Makita navedenim u ovom priručniku. Upotreba bilo kojeg drugog dodatnog pribora ili priključaka može prouzročiti ozljede. Upotrebite dodatni pribor ili priključak samo za njegovu navedenu svrhu.

Ako vam je potrebna pomoć za više detalja u pogledu ovih dodatnih pribora, obratite se najbližem Makita servisnom centru.

- Izvorna Makita baterija i punjač

► SI.29

–	Model od 150 mm (6")
1	Ručka 36
2	Štitnik ploče (za brusnu ploču)
3	Unutarnja prirubnica
4	Koljenasta ploča/lepezasti disk
5	Sigurnosna matica
6	Podloška
7	Savitljiva ploča
8	Gumena podloška 125
9	Abrazivni disk
10	Sigurnosna matica za brušenje
11	Žičana četka
12	Žičana četka u obliku stošca
13	Štitnik ploče (za reznu ploču) *1
14	Abrazivna rezna ploča/dijamantna ploča
–	Ključ za sigurnosnu maticu

**NAPOMENA:** \*1 U nekim se Europskim zemljama prilikom upotrebe dijamantne ploče može koristiti običan štitnik umjesto posebnog štitnika koji prekriva obje strane ploče. Pridržavajte se propisa važećih u vašoj zemlji.

**NAPOMENA:** Neke stavke iz popisa se mogu isporučiti zajedno sa strojem kao standardni dodatni pribori. Oni mogu biti različiti ovisno o zemlji.

## СПЕЦИФИКАЦИИ

Модел:		GA036G
Дијаметар на тркало		150 мм (6")
Макс. дебелина на тркалото		6,4 мм
Навој на вретеното		M14 или 5/8" (во зависност од земјата)
Номинална брзина (n)		8.500 мин. <sup>-1</sup>
Вкупна должина	со BL4025	398 мм
	со BL4040	410 мм
Нето тежина		3,1 - 3,7 кг
Номинален напон		D.C. 36 V - 40 V максимално

- Поради нашата континуирана програма за истражување и развој, спецификациите тука подлежат на промена без најава.
- Спецификациите може да се разликуваат од држава до држава.
- Тежината може да се разликува во зависност од додатоците, вклучувајќи ја и касетата за батерија. Најлесната и најтешката комбинација, согласно процедурата на ЕПТА 01/2014 (Европската асоцијација за електрични алати), се прикажани во табелата.

### Применлива касета за батерија и полнач

Касета за батерија	BL4025 / BL4040
Полнач	DC40RA

- Некои од касетите за батерии и полначите наведени погоре може да не се достапни зависно од регионот во кој живеете.

**▲ ПРЕДУПРЕДУВАЊЕ:** Користете ги само касетите за батерии и полначите наведени погоре. Користењето какви било поинакви касети за батерии и полначи може да создаде ризик од повреда и/или пожар.

### Наменета употреба

Алатот е наменет за брусење, стругање, жичено четкање и сечење метал и камен без користење вода.

### Бучава

Типична А-вредност за ниво на бучавата одредена во согласност со EN60745-2-3:  
 Ниво на звучниот притисок ( $L_{pA}$ ): 82 dB (A)  
 Ниво на јачина на звукот ( $L_{WA}$ ): 93 dB (A)  
 Отстапување (K): 3 dB (A)

**НАПОМЕНА:** Номиналната вредност(и) за емисија на бучава е измерена во согласност со стандардни методи за испитување и може да се користи за споредување алати.

**НАПОМЕНА:** Номиналната вредност(и) за емисија на бучава може да се користи и како прелиминарна процена за изложеност.

**▲ ПРЕДУПРЕДУВАЊЕ:** Носете заштита за ушите.

**▲ ПРЕДУПРЕДУВАЊЕ:** Емисијата на бучава при фактичкото користење на алатот може да се разликува од номиналната вредност(и), зависно од начинот на којшто се користи алатот, особено од тоа како вид работен материјал се обработува.

**▲ ПРЕДУПРЕДУВАЊЕ:** Погрижете се да ги утврдите безбедносните мерки за заштита на лицето кое ракува со алатот врз основа на процена на изложеноста при фактичките услови на употреба (земајќи ги предвид сите делови на работниот циклус, како периодите кога електричниот алат е исклучен и кога работи во празен од, не само кога е активен).

### Вибрации

Вкупна вредност на вибрациите (векторска сума на три оски) одредена во согласност со EN60745-2-3:  
 Работен режим: брусење површина со нормален страничен држач  
 Ширење вибрации ( $a_{h,AG}$ ): 9,0 м/с<sup>2</sup>  
 Отстапување (K): 1,5 м/с<sup>2</sup>  
 Работен режим: брусење површина со антивибрациски страничен држач  
 Ширење вибрации ( $a_{h,AG}$ ): 9,0 м/с<sup>2</sup>  
 Отстапување (K): 1,5 м/с<sup>2</sup>

Работен режим: стругање со диск со нормален страничен држач

Ширење вибрации ( $a_{h, DS}$ ): 4,0 м/с<sup>2</sup>

Отстапување (К): 1,5 м/с<sup>2</sup>

Работен режим: стругање со диск со антивибрациски страничен држач

Ширење вибрации ( $a_{h, DS}$ ): 3,5 м/с<sup>2</sup>

Отстапување (К): 1,5 м/с<sup>2</sup>

**НАПОМЕНА:** Вкупната вредност(и) на номиналната јачина на вибрациите е измерена во согласност со стандардни методи за испитување и може да се користи за споредување алати.

**НАПОМЕНА:** Вкупната вредност(и) на номиналната јачина на вибрациите може да се користи и како прелиминарна процена за изложеност.

**▲ ПРЕДУПРЕДУВАЊЕ:** Јачината на вибрациите при фактичкото користење на алатот може да се разликува од номиналната вредност(и), зависно од начинот на којшто се користи алатот, особено од тоа како вид работен материјал се обработува.

**▲ ПРЕДУПРЕДУВАЊЕ:** Погрижете се да ги утврдите безбедносните мерки за заштита на лицето кое ракува со алатот врз основа на процена на изложеноста при фактичките услови на употреба (земајќи ги предвид сите делови на работниот циклус, како периодите кога електричниот алат е исклучен и кога работи во празен од, не само кога е активен).

**▲ ПРЕДУПРЕДУВАЊЕ:** Номиналната јачина на вибрациите се користи за главните намени на алатот. Меѓутоа, ако алатот се користи за други намени, јачината на вибрациите може да биде различна.

## Декларација за сообразност од ЕУ

*Само за земјите во Европа*

Декларацијата за сообразност од ЕУ е вклучена во Додаток А од упатствата за корисникот.

## БЕЗБЕДНОСНИ ПРЕДУПРЕДУВАЊА

### Општи упатства за безбедност за електричните алати

**▲ ПРЕДУПРЕДУВАЊЕ:** Прочитајте ги сите безбедносни предупредувања, упатства, илустрации и спецификации дадени со електричниот алат. Ако не се почитуваат сите упатства наведени подолу, може да дојде до струен удар, пожар и/или сериозни повреди.

### Чувајте ги сите предупредувања и упатства за да може повторно да ги прочитате.

Под терминот „електричен алат“ во предупредувањата се мисли на вашиот електричен алат кој работи на струја (со кабел) или на батерии (безжично).

## Безбедносни предупредувања за безжична брусилка

Општи безбедносни предупредувања за брусење, стругање, четкање со жица или абразивно сечење:

1. Овој алат е наменет да се користи за брусење, стругање, четкање со жица или абразивно сечење. Прочитајте ги сите безбедносни предупредувања, упатства, илустрации и спецификации дадени со електричниот алат. Ако не се почитуваат сите упатства наведени подолу, може да дојде до струен удар, пожар и/или сериозни повреди.
2. Не се препорачува да се врши полирање со овој алат. Операциите за кои алатот не е наменет може да предизвикаат опасност и физички повреди.
3. Не користете додаточи што не се посебно одредени и препорачани од производителот на алатот. Тоа што додатокот може да се прикачи на вашиот електричен алат не значи дека е безбеден за употреба.
4. Номиналната брзина на додатокот мора да биде барем еднаква со максималната брзина означена на алатот. Додатоците што се вртат побрзо од номиналната брзина може да се скршат и да се распрскаат.
5. Надворешниот речник и дебелината на додатокот мора да се во рамките на нормалниот капацитет на алатот. Додатоците со неправилна големина не можат соодветно да се заштитат или контролираат.
6. Монтажните додаточи со навој мора да соодветствуваат на навојот на вретеното на брусилката. За додаточи што се монтираат со фланши, отворот за прицвстување на додатокот мора да одговара на дијаметарот на фланшата. Додатоците што не одговараат на монтираниот хардвер на алатот ќе работат без рамнотежа, ќе вибрираат прекумерно и може да предизвикаат губење на контролата.
7. Не користете оштетени додаточи. Пред секоја употреба, проверете ги додатоците како што се абразивните тркала да не се скршени или напукнати, подлошките да не се напукнати, изабени или истрошени, четките да нема откачени или искинати жици. Ако алатот или додатокот ви падне, проверете дали има оштетувања или ставете нештетен додаток. Откако ќе го проверите и ќе го наместите додатокот, поставете се себеси и околните лица подалеку од рамнината на вртливниот додаток и ракувајте со алатот при максимална неоптоварена брзина една минута. Оштетените додаточи обично се распаѓаат за време на овој пробен период.
8. Носете опрема за лична заштита. Зависно од примената, користете заштита за лицето, безбедносни затемнети очила или заштитни очила. Зависно од работата, носете маска за прашина, ракавици и работна престилка што може да сопне мали отпадоци од брусење или стругање. Заштитата за очи треба да копира разлетан отпад произведен од работата. Маската за прашина или респираторот треба да можат да ги филтрираат честичките што ги произведува вашата работа. Подолга изложеност на голема бучава може да предизвика оштетување на слухот.

9. **Присутните лица треба да се на безбедна оддалеченост од работното подрачје. Секој што влегува во работното подрачје треба да носи заштитна опрема.** Парчиња од обработуваниот материјал или од скршен додаток може да одлетаат и да предизвикаат повреди надвор од непосредното работно подрачје.
10. **Држете го алатот само за изолираниите држачи кога вршите работи каде што алатот за сечење може да дојде во допир со скриени жици.** Ако дојде до допир со жица под напон, струјата може да се пренесе до металните делови на алатот и да предизвика струен удар на операторот.
11. **Не одложувајте го алатот додека додатокот не сопне сосема.** Вртливият додаток може да ја зафати површината и да го извлече алатот од контрола.
12. **Алатот не смее да е вклучен додека го пренесувате.** Случаен допир со вртливият додаток може да ви ја зафати облеката и да ве повреди.
13. **Редовно чистете ги отворите за проветрување на алатот.** Вентилаторот на моторот привлекува прашина во кукиштето, а прекумерното насобирање метал во прав може да предизвика опасност од струен удар.
14. **Не ракувајте со алатот близу до запаливи материјали.** Искрите може да предизвикаат пожар.
15. **Не користете додатоци за коишто се потребни течности за ладење.** Користењето вода или друга течност за ладење може да предизвика струен удар.

#### **Повратен удар и предупредувања**

Повратен удар настанува при ненадејно заглавување или поткачување на тркало, подлошка, четка или некој друг додаток што се врти. Заглавувањето или поткачувањето предизвикува нагло сопирање на вртливият додаток, што предизвикува губење контрола врз алатот и негово придвижување во насока спротивна од вртењето на тркалото на точката на заглавувањето. На пример, ако абразивно тркало се заглави во работниот материјал, работ на тркалото што влегува во точката на заглавувањето може да се зарие во површината на материјалот, што ќе предизвика тркалото да излезе или да отскокне. Каменот може да отскокне кон операторот или настрана од него, зависно од насоката на движење на каменот во точката на заглавување. Абразивните камења може исто така да се скршат под вакви услови. Повратниот удар е резултат од неправилна употреба на алатот и/или неправилни работни постапки и услови и може да се избегне со преземање соодветни мерки на претпазливост, како што е наведено подолу.

1. **Цврсто држете го алатот и наместете ги телото и раката, така што ќе можат да ги издржат силите од повратен удар. Секогаш користете помошна рачка, ако ја има, за максимална контрола при повратен удар или торзиска реакција за време на стартувањето.** Операторот може да ги контролира торзиските реакции и силите на повратниот удар ако се преземат соодветни мерки на претпазливост.

2. **Не ставајте ја раката близу до вртливият додаток.** Додатокот може да се одбие преку раката.
3. **Не поставувајте го телото во подрачјето каде што алатот ќе се придвижи во случај на повратен удар.** Повратниот удар ќе го фрли алатот во насока спротивна од движењето на тркалото во точката на заглавување.
4. **Бидете особено внимателни кога работите на агли, остри рабови и сл. Избегнувајте скокање и завлекување на додатокот.** Аглитите, острите рабови и отскокнувањето можат да го заглават вртливият додаток и да предизвикаат губење контрола или повратен удар.
5. **Не ставајте сечила за дрворез или назабени сечила.** Таквите сечила често предизвикуваат повратни удари и губење контрола.

#### **Безбедносни предупредувања специфични за брусене и абразивно сечење:**

1. **Користете само типови тркала што се препорачани за вашиот алат и специфичниот штитник конструиран за избраното тркало.** Тркала за кои алатот не е конструиран не може да се заштитат соодветно и се небезбедни.
2. **Површината што се бруси на тркалата со вдлабнато средиште мора да биде монтирана под рамнината на штитникот.** Неправилно монтираното тркало што поминува низ рамнината на штитникот не може адекватно да се заштити.
3. **Штитникот мора да биде цврсто прикачен на електричниот алат и поставен за максимална безбедност, така што најмал дел на тркалото да е изложен кон операторот.** Штитникот помага да се заштити операторот од парчиња скршено тркало, случаен контакт со тркалото и искри што може да ја запалат облеката.
4. **Тркалата смеат да се користат само за препорачаните намени. На пример: не брусете со страната на тркалото за сечење.** Тркалата за абразивно сечење се наменети за периферно брусене, па страничните сили што влијаат на таквите тркала можат да ги распрскаат.
5. **Секогаш користете неоштетени фланши за тркалото што се со правилни големина и облик за избраното тркало.** Соодветните фланши за тркало го држат тркалото и со тоа ја намалуваат можноста тоа да се скрши. Фланшите за тркалата за сечење може да се различни од фланшите за брусните плочи.
6. **Не користете избени тркала од поголеми електрични алати.** Тркалата наменети за поголеми алати не се погодни за поголемите брзини на помалите алати и може да прснат.

#### **Дополнителни безбедносни предупредувања за абразивно сечење:**

1. **Не заглавувајте го тркалото за сечење и не притискајте прекумерно. Не обидувајте се да сечете предлабоко.** Пренапрегнувањето на тркалото го зголемува оптоварувањето и можноста за извиткување или лепење на тркалото во засекот, а со тоа и можноста за повратен удар или кршење на тркалото.

2. **Не поставувајте го телото во линија со вртливото тркало или зад него.** Кога тркалото, на точката на работа, се движи подалеку од вашето тело, можниот повратен удар може да ги фрли завртеното тркало и алатот право на вас.
3. **Кога тркалото се лепи или кога сечењето се прекинува поради нешто, исклучете го алатот и држете го неподвижен додека тркалото не сопне целосно. Не обидувајте се да го извадите тркалото за сечење од резот додека тркалото се движи, инаку може да дојде до повратен удар.** Испитајте и преземете мерки за отстранување на причините за лепење на тркалото.
4. **Не почнувајте со сечењето повторно додека тркалото е во работниот материјал. Оставете тркалото да достигне максимална брзина и внимателно влезете повторно во резот.** Тркалото може да се залепи, да осцилира или да дојде до повратен удар ако електричниот алат се активира повторно во материјалот.
5. **Прицврстете ги плочите или материјалите што се преголеми за да го намалите ризикот од заглавување на тркалото и повратен удар.** Големите парчиња материјал обично се виткаат од сопствената тежина. Држачите треба да се стават под материјалот, близу до линијата на сечење и до работ на материјалот од двете страни на тркалото.
6. **Бидете особено внимателни кога засекувате во постојни ѕидови или други слепи подрачја.** Тркалото, за време на навлегувањето, може да исече водоводни или цевки за плин, електрични инсталации или предмети што може да предизвикаат повратен удар.

#### **Посебни безбедносни предупредувања за шмирглање:**

1. **Не користете преголем диск со шмиргла.** Почитувајте ги препораките на производителот кога бирате шмиргла. Поголема шмиргла што стрчи надвор од подлогата за стругање е опасна бидејќи може да ве расече, да предизвика заглавување, кинење на дискот или повратен удар.

#### **Посебни безбедносни предупредувања за четкање со жица:**

1. **Имајте предвид дека се исфрлаат жичени влакненца од четката дури и при нормална работа. Не напрегајте ги жичите со прекумерен притисок на четката.** Влакната на жицата лесно може да пробијат лесна облека или кожа.
2. **Ако се препорачува користење штитник за четкање со жица, не дозволувајте допир на жиченото тркало или четката со штитникот.** Жиченото тркало или четката може да го зголемат пречникот поради работното оптоварување и центрифугалните сили.

#### **Дополнителни безбедносни предупредувања:**

1. **Кога користите брусни плочи со вдлабнато средиште, користете само тркала зајакнати со армирано стакло.**

2. **НЕ КОРИСТЕТЕ** испакнати тркала со оваа брусилка. Брусилката не е конструирана за такви видови тркала и користењето такви производи може да доведе до тешки повреди.
3. **Внимавајте да не ги оштетите вретеното, фланшата (особено површината за монтирање) или навртката за стегање.** Оштетувањето на тие делови може да доведе до кршење на тркалото.
4. **Внимавајте каменот да не го допира материјалот пред да се вклучи прекинувачот.**
5. **Пред да го користите алатот врз работниот материјал, оставете го да поработи малку напразно. Видете дали има вибрации или осцилации што може да укажуваат на лошо монтирање или неизбалансиран камен.**
6. **Користете ја назначената површина на каменот за да го изведете брусењето.**
7. **Не оставајте го алатот вклучен. Работете со алатот само кога го држите в раце.**
8. **Не допирајте го материјалот веднаш по работата, може да е многу жежок и да ви ја изгори кожата.**
9. **Не допирајте ги додаточите веднаш по работата, може да се многу жешки и да ви ја изгори кожата.**
10. **Почитувајте ги упатствата на производителот за правилно монтирање и користење на камењата. Бидете внимателни кога ракувате со камењата и кога ги одложувате.**
11. **Не користете посебни редуцирачки лежишта или адаптери за да ставате абразивни тркала со голем отвор.**
12. **Користете само фланши наменети за овој алат.**
13. **За алатите на кои се ставаат тркала со отвор со навои, внимавајте навојот во тркалото да е доволно долг да ја прими должината на вретеното.**
14. **Проверете дали материјалот е добро прицврстен.**
15. **Внимавајте, тркалото продолжува да се врти по исклучување на алатот.**
16. **Ако работното место е крајно жешко и влажно или многу загадено со спроводливи прав, користете прекинувач за краток спој (30 mA) за безбедност на операторот.**
17. **Не користете го алатот ако материјалот содржи азбест.**
18. **Кога користите тркало за сечење, секогаш работете со штитникот за собирање прав што го бараат домашните прописи.**
19. **Дискот за сечење не смее да се притиска странично.**
20. **Не користете платнени работни ракавици при работата.** Текстилните влакна од платнените ракавици може да навлезат во алатот, што предизвикува кршење на алатот.
21. **Внимавајте да нема електрични кабли, цевки за вода, цевки за плин итн. што може да предизвикаат опасност доколку се оштетат со употребата на алатот.**

## **ЧУВАЈТЕ ГО УПАТСТВОТО.**

**▲ПРЕДУПРЕДУВАЊЕ:** НЕ ДОЗВОЛУВАЈТЕ удобноста или познавањето на производот (стекнати со подолга употреба) да ве наведат да не се придржувате строго до безбедносните правила за овој производ. ЗЛОУПОТРЕБАТА или непочитувањето на безбедносните правила наведени во ова упатство може да предизвикаат тешка телесна повреда.

## Важни безбедносни упатства за касетата за батеријата

1. Пред користење на касетата за батеријата, прочитајте ги сите упатства и ознаки за претпазливост на (1) полначот за батеријата, (2) батеријата и (3) производот што ја користи батеријата.
2. Не расклопувајте ја, ниту експериментирајте со касетата за батеријата. Тоа може да резултира со оган, прекумерна топлина или експлозија.
3. Ако оперативното времето станало прекумерно кратко, престанете веднаш со работа. Тоа може да резултира со ризик од прегревање, можни изгореници, па дури и експлозија.
4. Ако електролит навлезе во вашите очи, измијте ги со чиста вода и побарајте медицинска нега веднаш. Тоа може да резултира со губење на вашиот вид.
5. Не предизвикувајте спој на касетата за батеријата.
  - (1) Не допирајте ги контактите со никаков проводлив материјал.
  - (2) Избегнувајте да ја чувате касетата за батерија во сад со други метални предмети како што се шајки, монети и сл.
  - (3) На изложувајте ја касетата за батеријата на вода или дожд. Краткиот спој на батеријата може да предизвика голем проток на електрична енергија, прегревање, можни изгореници, па дури и пад на напојувањето.
6. Не складирајте и не користете ги алатот и касетата за батеријата на места каде што температурата може да достигне или надминува 50 °C (122 °F).
7. Не палете ја касетата за батерија дури и кога е многу оштетена или целосно потрошена. Касетата за батеријата може да експлодира ако се стави во оган.
8. Не заковувајте ја, сечете ја, фрлајте ја, испуштајте ја касетата за батерија, ниту удирајте ја од тврд предмет касетата за батеријата. Таквото однесување може да резултира со оган, прекумерна топлина или експлозија.
9. Не користете оштетена батерија.

10. Содржаните батерии со литиумови јони се подложни на условите во Правилата за опасни предмети.

За комерцијален транспорт на пр. од трети лица и посредници, мора да се следат посебните услови на пакувањата или ознаките. При подготовка на предметот кој треба да се испрати, консултирајте се со експерт за опасни материјали. Исто така, следете ги потенцијално подеталните национални правила. Зелепете ги со леплива лента или маскирајте ги отворените контакти, а батеријата спакувајте ја, така што нема да се движи слободно во пакувањето.
11. Кога ја фрлате во отпад касетата за батеријата, извадете ја од алатот и фрлете ја на безбедно место. Почитувајте ги локалните законски прописи што се однесуваат на фрлање во отпад на батеријата.
12. Користете ги батериите само со производите назначени од Makita. Монтирањето батерии на неусогласените производи може да резултира со пожар, прекумерна топлина, експлозија или истекување на електролитот.
13. Доколку алатот не се користи подолг временски период, батеријата мора да се извади од алатот.
14. Пред и по употребата, касетата за батеријата може да прими топлина што може да предизвика изгореници или изгореници од ниска температура. Внимавајте како ракувате со жешките касети за батерии.
15. Не допирајте го терминалот на алатот непосредно по употребата бидејќи може да се загрее доволно за да предизвика изгореници.
16. Не дозволувајте деланки, прав или земја да се заглават во терминалите, отворите и жлебовите на касетата за батерија. Тоа може да резултира со слаба изведба или пад на напојувањето на алатот или касетата за батерија.
17. Освен ако алатката не поддржува употреба на електричните далноводи со висок напон во близина, не користете ја касетата за батерија во близина на електричните далноводи со висок напон. Тоа може да резултира со дефект или пад на напојувањето на алатот или касетата за батерија.
18. Држете ја батеријата подалеку од деца.

## ЧУВАЈТЕ ГО УПАТСТВОТО.

**▲ВНИМАНИЕ:** Користете само оригинални батерии на Makita. Користењето неоригинални батерии на Makita или батерии што се изменети може да резултира со распакување на батеријата, предизвикувајќи пожар, телесна повреда и оштетување. Тоа исто така ќе ја поништи гаранцијата на Makita за алатот и полначот на Makita.

## Совети за одржување максимален работен век на батеријата

1. Заменете ја касетата за батеријата пред целосно да се испразни. Секогаш запирајте ја работата со алатот и заменете ја касетата за батеријата кога ќе забележите дека алатот дава помала моќност.
2. Никогаш немојте да полните целосно полна касета за батерија. Прекумерното полнење го скратува работниот век на батеријата.
3. Полнете ја касетата за батеријата на собна температура од 10°C - 40°C. Дозволете загреаната касета за батерија да се олади пред да ја ставите на полнење.
4. Кога не ја користите касетата за батерија, извадете ја алатот или полначот.
5. Полнете ја касетата за батеријата доколку не ја користите подолго време (повеќе од шест месеци).

## ОПИС НА ФУНКЦИИТЕ

**▲ ВНИМАНИЕ:** Пред секое нагодување или проверка на алатот, проверувајте дали е исклучен и батеријата е извадена.

### Монтирање или отстранување на касетата за батеријата

**▲ ВНИМАНИЕ:** Секогаш исклучувајте го алатот пред ставањето или вадењето на касетата за батеријата.

**▲ ВНИМАНИЕ:** Држете ги алатот и касетата за батеријата цврсто кога ја монтирате или вадите касетата за батеријата. Ако не ги држите цврсто алатот и касетата за батеријата, тие може да се лизнат од вашите раце и да дојде до нивно оштетување, како и до телесна повреда.

► **Сл.1:** 1. Црвен индикатор 2. Колче 3. Касета за батерија

За да ја извадите касетата за батеријата, повлечете ја од алатот додека го лизгате колчето на предната страна на касетата.

За вметнување на касетата за батеријата, порамнете го јазичето на касетата со жлебот во кукиштето и лизнете го во место. Вметнете ја до крај додека не се блокира во место при што ќе се слушне мало кликување. Ако можете да го видите црвениот индикатор на горната страна од колчето, тоа значи дека не е заклучена целосно во место.

**▲ ВНИМАНИЕ:** Секогаш монтирајте ја касетата за батеријата целосно додека црвениот индикатор не се изгасне. Во спротивно, може ненадејно да испадне од алатот предизвикувајќи ви повреда вам или на некој друг околу вас.

**▲ ВНИМАНИЕ:** Немојте да ја монтирате касетата за батеријата на сила. Ако касетата не може да се лизне лесно, тоа значи дека не е поставена правилно.

## Укажување на преостанатиот капацитет на батеријата

Притиснете го копчето за проверка на касетата за батеријата за укажување на преостанатиот капацитет на батеријата. Индикаторските ламбички светнуваат неколку секунди.

► **Сл.2:** 1. Индикаторски ламбички 2. Копче за проверка

Индикаторски ламбички			Преостанат капацитет
Запалено	Исклучено	Трепка	
			75% до 100%
			50% до 75%
			25% до 50%
			0% до 25%
			Наполнете ја батеријата.
			Батеријата можеби е неисправна.

**НАПОМЕНА:** Во зависност од условите на користење и амбиенталната температура, индикацијата може да се разликува во мала мера од реалниот капацитет.

**НАПОМЕНА:** Првата (најлево) ламбичка на индикаторот ќе трепка кога работи системот за заштита на батеријата.

## Систем за заштита на алатот/ батеријата

Алатот е опремен со систем за заштита на алатот/ батеријата. Овој систем автоматски го прекинува напојувањето на моторот за да го продолжи работниот век на алатот и на батеријата. Алатот автоматски ќе се исклучи за време на работењето ако тој или батеријата се најдат под еден од следниве услови:

### Заштита од преоптоварување

Кога со алатот/батеријата се работи на начин што предизвикува повлекување прекумерно висока струја, тој автоматски се исклучува без никаква индикација. Во таква ситуација, исклучете го алатот и запрете со примената што предизвикала негово преоптоварување. Потоа, повторно вклучете го алатот.

### Заштита од прегревавање

Кога алатот/батеријата се прегреани, алатот автоматски запира. Оставете алатот да се излади пред повторно да го вклучите.

## Заштита од прекумерно празнење

Кога капацитетот на батеријата нема да биде доволен, алатот автоматски се исклучува. Во овој случај, извадете ја батеријата од алатот и наполнете ја.

## Ослободување на заштитната блокада

Кога системот за заштита работи постојано, алатот се заклучува. Во оваа ситуација, алатот не стартува дури ни ако го исклучувате и вклучувате. За да ја ослободите заштитната блокада, извадете ја батеријата, поставете ја на полначот за батерии и почекајте додека не заврши полнењето.

### Блокада на оската

Притиснете ја блокадата на оската за да спречите вртење на вретеното кога ставате или вадите додатоци.

► Сл.3: 1. Блокада на оската

**ЗАБЕЛЕШКА:** Не затегнувајте ја блокадата на оската кога вретеното се движи. Алатот може да се оштети.

### Вклучување

**▲ВНИМАНИЕ:** Секогаш пред да ја монтирате касетата на батеријата во алатот, проверувајте дали лостот на прекинувачот функционира исправно и се враќа во положбата „OFF (ИСКЛУЧЕНО)“ кога ќе се отпушти.

**▲ВНИМАНИЕ:** За ваша безбедност, овој алат е опремен со лост за одблокирање кој спречува алатот да се вклучи ненамерно. НИКОГАШ не користете го алатот ако работи кога едноставно ќе го повлечете лостот на прекинувачот без повлекување на лостот за одблокирање. Вратете го алатот во нашиот овластен сервисен центар за соодветна поправка ПРЕД натамошна употреба.

**▲ВНИМАНИЕ:** Не повлекувајте го силно лостот на прекинувачот без да го повлечете лостот за заклучување. Тоа може да предизвика дефект на прекинувачот.

**▲ВНИМАНИЕ:** НИКОГАШ немојте да ја залепувате или да ја оневозможувате функцијата на рачката за блокирање.

► Сл.4: 1. Лост за одблокирање 2. Рачка на прекинувач

За да спречите случајно повлекување на лостот на прекинувачот, вграден е лост за заклучување.

За да го стартувате алатот, повлечете го лостот за блокирање кон операторот, а потоа, повлечете го лостот на прекинувачот.

За да го запрете алатот, отпуштете го лостот на прекинувачот.

### Функција за спречување случајно рестартирање

Кога ја монтирате касетата за батеријата додека го повлекувате лостот на прекинувачот, алатот не се стартува. За да го стартувате алатот, прво, отпуштете го лостот на прекинувачот. Потоа, повлечете го лостот за блокирање, а потоа, повлечете го лостот на прекинувачот.

## Електронска функција за регулирање сила на вртење

Алатот електронски открива ситуации каде тркалото или опремата се изложени на ризик да бидат ограничени. Во таа ситуација, алатот автоматски се исклучува за да спречи додатна ротација на вретеното (не спречува повратен удар). За да го рестартирате алатот, прво исклучете го, отстранете ја причината за ненадејниот пад на брзината на ротација, а потоа вклучете го.

### Одлика за меко стартување

Одликата за меко стартување ја намалува почетната реакција.

## СОСТАВУВАЊЕ

**▲ВНИМАНИЕ:** Пред секое нагодување или проверка на алатот, проверувајте дали е исклучен и батеријата е извадена.

### Местење на страничниот држач (рачка)

**▲ВНИМАНИЕ:** Секогаш проверувајте дали страничниот држач е наместен цврсто пред да работите.

Завртете го страничниот држач цврсто во положбата на алатот како што е прикажано на сликата.

► Сл.5

### Монтирање или отстранување на штитникот за тркало

**▲ПРЕДУПРЕДУВАЊЕ:** Кога користите тркало со вдлабнато средиште, повеќеделен диск, флекси-тркало или тркало со жичена четка, штитникот за тркалото треба да се монтира на алатот, така што затворената страна на штитникот да биде свртена кон операторот.

**▲ПРЕДУПРЕДУВАЊЕ:** Осигурете се дека штитникот за тркало е безбедно заклучен со лостот за блокирање со еден од отворите на штитникот за тркало.

**▲ПРЕДУПРЕДУВАЊЕ:** Кога користите тркало за абразивно сечење/дијамантско тркало, внимавајте да го користите само специјалниот штитник конструиран за тркалата за сечење.

(Во некои европски земји може да се користи и обичниот штитник при користење на дијамантските тркала. Почитувајте ги прописите во земјата.)



## За тркало со вдлабнато средиште, повеќеделен диск, флекси-тркало, кружна жичена четка/тркало за абразивно сечење, дијамантско тркало

1. Додека го притискате лостот за блокирање, монтирајте го штитникот за тркалото со испакнатите делови на штитникот за тркалото порамнет со жлебовите на кутијата на лежиштето.  
► **Сл.6:** 1. Лост за блокирање 2. Жлеб 3. Испакнат дел

2. Додека го притискате лостот за блокирање кон А, притиснете го штитникот за тркало држејќи ги надолу деловите В како што е прикажано на сликата.  
► **Сл.7:** 1. Штитник за тркало 2. Отвор

**НАПОМЕНА:** Рамно притиснете го надолу штитникот за тркало. Во спротивно, нема да може целосно да го притиснете штитникот за тркало.

3. Додека ја одржувате позицијата на лостот за блокирање и штитникот за тркало како што е опишано во чекор 2, свртете го штитникот за тркалото кон С, па променете го аголот на штитникот за тркалото според работата така што операторот да може да биде заштитен. Порамнете го лостот за блокирање со една од дупките на штитникот за тркалото, па ослободете го лостот за блокирање за да го заклучите штитникот за тркалото.  
► **Сл.8:** 1. Штитник за тркало 2. Отвор

**НАПОМЕНА:** Целосно притиснете го штитникот за тркало. Во спротивно, нема да може да го ротираше штитникот за тркало.

За да го извадите штитникот за тркало, следете ја постапката за мesteње по обратен редослед.

## Монтирање или вадење на тркало со вдлабнато средиште или повеќеделен диск

### Опционален прибор

**▲ПРЕДУПРЕДУВАЊЕ:** Кога користите тркало со вдлабнато средиште или повеќеделен диск, штитникот на тркалото треба да се монтира на алатот, така што затворената страна на штитникот да биде свртена кон операторот.

**▲ВНИМАНИЕ:** Уверете се дека делот од внатрешната фланша што се монтира совршено го собира во внатрешниот дијаметар на вдлабнатото средиште/ повеќеделниот диск. Ако внатрешната фланша се монтира на погрешната страна, може да настанат опасни вибрации.

Монтирајте ја внатрешната фланша на вретеното. Поставете го вдлабнатиот дел од внатрешната фланша на рамниот дел на дното од вретеното. Наместете го вдлабнатото средиште/повеќеделниот диск на внатрешната фланша и завртете ја навртката на вретеното.  
► **Сл.9:** 1. Навртка за стегање 2. Тркало со вдлабнато средиште 3. Внатрешна фланша 4. Дел за монтирање

За да ја затегнете навртката, притиснете ја цврсто блокадата на оската, така што вретеното нема да може да се врти, па со клучот за стегање затегнете ја на десно.  
► **Сл.10:** 1. Клуч за стегање 2. Блокада на оската

За да го извадите тркалото, следете ја постапката за мesteње по обратен редослед.

## Ставање и вадење флекси-тркало

### Опционален прибор

**▲ПРЕДУПРЕДУВАЊЕ:** Секогаш користете го испорачаниот штитник кога флекси-тркалото е поставено на алатот. Тркалото може да се распрсне за време на употребата, а штитникот помага во намалување на шансите за телесна повреда.

► **Сл.11:** 1. Навртка за стегање 2. Флекси-тркало 3. Подлошка 4. Внатрешна фланша

Следете ги упатствата за тркалото со вдлабнато средиште, но, исто така, користете подлошка врз тркалото. Редоследот на склопување можете да го видите на страницата за додатоците во ова упатство за употреба.

## Инсталирање или отстранување на абразивниот диск

### Опционален прибор

► **Сл.12:** 1. Навртка за шмирглање 2. Абразивен диск 3. Гумена подлошка

1. Монтирајте ја гумената подлошка на вретеното.
2. Поставете го дискот на гумената подлошка и завртете ја навртката за блокирање на вретеното.
3. Држете го вретеното со блокадата на оската и убаво стегнете ја навртката за шмирглање на десно со клуч за навртки.

За да го извадите дискот, следете ја постапката за мesteње по обратен редослед.

**НАПОМЕНА:** Користете додатоци за стругање назначени во ова упатство. Тие треба да се купат посебно.

## Монтирање или отстранување на Ezyrut

### Опционален прибор

**▲ВНИМАНИЕ:** Не користете Ezyrut со супер-фланша или аголна брусилка што содржи „F“ на крајот од бројот на модел. Тие фланши се толку дебели што не може целиот навој да се опфати со вретеното.

► **Сл.13:** 1. Ezyrut 2. Абразивно тркало 3. Внатрешна фланша 4. Вретено

Монтирајте ги внатрешната фланша, абразивното тркало и Ezyrut на вретеното така што логото Makita на Ezyrut да е свртено нанадвор.

► **Сл.14:** 1. Забравник на вретеното

Притиснете ја блокадата на оската цврсто и стегнете го Ezyrut со вртење на абразивното тркало на десно до крај. Вртете го надворешниот прстен на Ezyrut налево за олабавување.

► **Сл.15:** 1. Стрелка 2. Жлеб

► **Сл.16**

**НАПОМЕНА:** Ezyrut може да се олабави со рака ако стрелката покажува на засекот. Во спротивно, потребен е клуч за навртка за блокирање за да се олабави. Вметнете една игличка од клучот во дупка и вртете го Ezyrut налево.

## Монтирање на тркало за абразивно сечење/дијамантско тркало

### Опционален прибор

**▲ ПРЕДУПРЕДУВАЊЕ:** Кога користите тркало за абразивно сечење/дијамантско тркало, внимавајте да го користите само специјалниот штитник конструиран за тркалата за сечење.

(Во некои европски земји може да се користи и обичниот штитник при користење на дијамантските тркала. Почитувајте ги прописите во земјата.)

**▲ ПРЕДУПРЕДУВАЊЕ:** НИКОГАШ не користете го тркалото за сечење за странично брусење.

- **Сл.17:** 1. Навртка за стегање 2. Тркало за абразивно сечење/дијамантско тркало 3. Внатрешна фланша 4. Штитник за тркало за абразивно сечење/дијамантско тркало

За монтирање, следете ги упатствата за тркало со вдлабнато средиште.

Насоката за монтирање на навртката и внатрешната фланша се разликува зависно од дебелината на тркалото.

Погледнете ги следните цифри.

Кога се монтира абразивното тркало за сечење:

- **Сл.18:** 1. Навртка за стегање 2. Абразивно тркало за сечење (потенко од 4 мм) 3. Абразивно тркало за сечење (од 4 мм или подебело) 4. Внатрешна фланша

Кога се монтира дијамантското тркало:

- **Сл.19:** 1. Навртка за стегање 2. Дијамантско тркало (потенко од 4 мм) 3. Дијамантско тркало (од 4 мм или подебело) 4. Внатрешна фланша

## Монтирање на испакната жичена четка

### Опционален прибор

**▲ ВНИМАНИЕ:** Не користете ја четката ако е оштетена или ако е неуррамнотежена. Користењето оштетена четка може да го зголеми потенцијалот за повреда од доаѓање во допир со скршени жици од четката.

- **Сл.20:** 1. Испакната жичена четка

Извадете ја батеријата од алатот и поставете го наопаку, овозможувајќи лесен пристап до вретеното. Извадете ги сите додатоци од вретеното. Монтирајте испакната жичена четка врз вретеното и стегнете ја со испорачаниот клуч.

## Монтирање на кружна жичена четка

### Опционален прибор

**▲ ВНИМАНИЕ:** Не користете ја жичената четка ако е оштетена или ако е неуррамнотежена. Користењето оштетена жичена четка може да го зголеми потенцијалот за повреда од доаѓање во допир со скршени жици од четката.

**▲ ВНИМАНИЕ:** СЕКОГАШ користете штитник со жичените кружни четки, уверувајќи се дека дијаметарот на тркалото одговара на штитникот. Тркалото може да се распрсне за време на употребата, а штитникот помага во намалување на шансите за телесна повреда.

- **Сл.21:** 1. Кружна жичена четка

Извадете ја батеријата од алатот и поставете го наопаку, овозможувајќи лесен пристап до вретеното. Извадете ги сите додатоци од вретеното. Ставете ја кружната жичена четка врз вретеното и затегнете со клучевите.

## РАБОТЕЊЕ

**▲ ПРЕДУПРЕДУВАЊЕ:** Никогаш не би требало да се применува сила врз алатот. Тежината на алатот нанесува доволно притисок. Доодавањето сила и прекумерен притисок може да предизвикаат опасно кршење на тркалото.

**▲ ПРЕДУПРЕДУВАЊЕ:** СЕКОГАШ заменувајте го тркалото ако алатот ви падне при брусење.

**▲ ПРЕДУПРЕДУВАЊЕ:** НИКОГАШ не удирајте ја плочата или тркалото за брусење на материјалот.

**▲ ПРЕДУПРЕДУВАЊЕ:** Избегнувајте отскокнување и заглавување на тркалото, особено кога работите на агли, остри рабови и сл. Така може да изгубите контрола и да дојде до повратен удар.

**▲ ПРЕДУПРЕДУВАЊЕ:** НЕ КОРИСТЕТЕ ГО алатот со сечила за дрворез и други пили за дрво. Таквите сечила, кога се користат со брусилка, често удираат и предизвикуваат губење контрола, што може да доведе до телесна повреда.

**▲ ВНИМАНИЕ:** Никогаш не вклучувајте го алатот кога е во контакт со работниот материјал, во спротивно може да дојде до повреда на операторот.

**▲ ВНИМАНИЕ:** Секогаш носете заштитни очила или маска за заштита на лицето при работата.

**▲ ВНИМАНИЕ:** По работата, секогаш исклучувајте го алатот и почекајте додека тркалото не сопре сосема пред да го одложите алатот.

**▲ ВНИМАНИЕ:** СЕКОГАШ држете го алатот цврсто со едната рака за кукиштето и со другата на страничниот држач (рачка).

## Брусеење и шмирглање

### ► Сл.22

Вклучете го алатот и потоа, ставете ги тркалото или дискот во работниот материјал.

По принцип, одржувајте го работ од тркалото или дискот под агол од околу 15° во однос на површината на работниот материјал.

За време на првичниот период на користење ново тркало, не работете со брусилката во насока напред бидејќи ќе засече во работниот материјал. Штом работ на тркалото ќе се заобли од употребата, со тркалото може да се работи во двете насоки, напред и назад.

## Работа со тркало за абразивно сечење/дијамантско тркало

### Опционален прибор

**▲ ПРЕДУПРЕДУВАЊЕ:** Не заглавувајте го тркалото и не притискајте прекумерно. Не обидувајте се да сечете предлабоко. Пренапрегнувањето на тркалото го зголемува оптоварувањето и можноста за извитување или лепење на тркалото во засекот и можноста за повратен удар, кршење на тркалото и прегревање на моторот.

**▲ ПРЕДУПРЕДУВАЊЕ:** Не почнувајте со сечењето повторно додека тркалото е во материјалот. Оставете го тркалото да достигне максимална брзина и внимателно влезете во засекот, движејќи го алатот напред преку површината на материјалот. Тркалото може да осцилира, да излезе или да удри назад ако алатот се стартува во материјалот.

**▲ ПРЕДУПРЕДУВАЊЕ:** За време на сечењето, не менувајте го аголот на тркалото. Ако се притиска странично на тркалото за сечење (при брусеење) може да дојде до пукање или кршење на тркалото, што може да предизвика тешки телесни повреди.

**▲ ПРЕДУПРЕДУВАЊЕ:** Со дијамантското тркало треба да се работи вертикално врз материјалот за сечење.

Пример за користење: работење со абразивно тркало за сечење

### ► Сл.23

Пример за користење: работење со дијамантско тркало

### ► Сл.24

## Операции со испакната жичена четка

### Опционален прибор

**▲ ВНИМАНИЕ:** Проверете ја функционалноста на четката оставајќи го алатот да работи без оптоварување, осигурувајќи дека нема никој пред или во линија со четката.

**ЗАБЕЛЕШКА:** Избегнувајте преголем притисок при користење на испакната жичена четка со што може да се извиткаат жиците. Со тоа може предвремено да се искршат.

Пример за користење: работење со испакната жичена четка

### ► Сл.25

## Операции со кружна жичена четка

### Опционален прибор

**▲ ВНИМАНИЕ:** Проверете ја функционалноста на жичената четка оставајќи го алатот да работи без оптоварување, осигурувајќи дека нема никој пред или во линија со четката.

**ЗАБЕЛЕШКА:** Избегнете преголем притисок при користење на четката, со што може да се извиткаат жиците. Со тоа може предвремено да се искршат.

Пример за користење: работење со кружна жичена четка

### ► Сл.26

## ОДРЖУВАЊЕ

**▲ ВНИМАНИЕ:** Пред секоја проверка или одржување, секогаш проверувајте дали алатот е исклучен и касетата за батеријата е извадена.

**ЗАБЕЛЕШКА:** За чистење, не користете нафта, бензин, разредувач, алкохол или слично. Тие средства ја вадат бојата и може да предизвикаат деформации или пукнатини.

За да се одржи БЕЗБЕДНОСТА и СИГУРНОСТА на производот, поправките, одржувањата или дотерувањата треба да се вршат во овластени сервисни центри на Makita, секогаш со резервни делови од Makita.

## Чистење на отворите за воздух

Алатот и отворите за воздух треба да се одржуваат чисти. Редовно чистете ги отворите за воздух на алатот или секогаш кога ќе се извалкаат.

► Сл.27: 1. Отвор за испуштање воздух 2. Отвор за вшмукување воздух

Извадете го капакот за прав од отворот за вентилација и исчистете го за да се добие добра циркулација на воздухот.

► Сл.28: 1. Капак на резервоар за прав

**ЗАБЕЛЕШКА:** Работењето со затнат капак за прав може да го оштети алатот. Ако продолжите со работа со затнат капак за прав, може да се оштети алатот.

# ОПЦИОНАЛЕН ПРИБОР

**⚠ ВНИМАНИЕ:** Овој прибор или додатоци се препорачуваат за користење со алатот од Makita дефиниран во упатството. Со користење друг прибор или додатоци може да се изложите на ризик од телесни повреди. Користете ги приборот и додатоците само за нивната назначена намена.

Ако ви треба помош за повеќе детали за приборот, прашајте во локалниот сервисен центар на Makita.

- Оригинална батерија и полнач на Makita

► Сл.29

-	Модел од 150 мм (6")
1	Држач 36
2	Штитник за тркало (за брусно тркало)
3	Внатрешна фланша
4	Тркало со вдлабната средина/повеќеделен диск
5	Навртка за стегање
6	Подлошка
7	Флекси-тркало
8	Гумена подлошка 125
9	Абразивен диск
10	Навртка за шмирглање
11	Кружна жичена четка
12	Испакната жичена четка
13	Штитник за тркало (за тркало за сечење) *1
14	Тркало за абразивно сечење/дијамантско тркало
-	Клуч за стегање

**НАПОМЕНА:** \*1 При употребата на дијамантско тркало во некои европски земји, може да се користи обичен штитник наместо специјален кој ги покрива двете страни на тркалото. Почитувајте ги прописите во земјата.

**НАПОМЕНА:** Некои ставки на листата може да се вклучени со алатот како стандарден прибор. Тие може да се разликуваат од држава до држава.

## ТЕХНИЧКИ ПОДАЦИ

Модел:		GA036G
Пречник плоче		150 мм (6")
Макс. дебелина плоче		6,4 мм
Навој вртена		M14 или 5/8" (у зависности од земље)
Номинална брзина (н)		8.500 мин <sup>-1</sup>
Укупна дужина	са BL4025	398 мм
	са BL4040	410 мм
Нето тежина		3,1 – 3,7 кг
Номинални напон		DC 36 V – 40 V макс.

- На основу нашег непрестаног истраживања и развоја задржавамо право измена наведених техничких података без претходне најаве.
- Спецификације могу да се разликују у различитим земљама.
- Тежина може да се разликује у зависности од наставака, укључујући и уложак батерије. Најлакша и најтежа комбинација, према процедури ЕПТА 01/2014, приказане су у табели.

### Применљив уложак батерије и пуњач

Уложак батерије	BL4025 / BL4040
Пуњач	DC40RA

- Неки горенаведени улошки батерија и пуњачи можда неће бити доступни у зависности од места становања.

**▲УПОЗОРЕЊЕ:** Користите само горенаведене улошке батерије и пуњаче. Коришћење других уложака батерије и пуњача може узроковати повреде и/или пожар.

### Намена

Овај алат је намењен за брушење, полирање, четкање жичаном четком и резање метала и камена без употребе воде.

### Бука

Типичан А-пондерисан ниво буке одређен је према стандарду EN60745-2-3:

Ниво звучног притиска ( $L_{pA}$ ): 82 dB (A)

Ниво звучне снаге ( $L_{WA}$ ): 93 dB (A)

Несигурност (K): 3 dB (A)

**НАПОМЕНА:** Декларисане вредности емисије буке су измерене према стандардизованом мерном поступку и могу се користити за упоређивање алата.

**НАПОМЕНА:** Декларисана вредност емисије буке се такође може користити за прелиминарну процену изложености.

**▲УПОЗОРЕЊЕ:** Носите заштитне слушалице.

**▲УПОЗОРЕЊЕ:** Емисије буке током стварне примене електричног алата могу се разликовати од декларисане вредности у зависности од начина на који се користи алат, а посебно која врста предмета се обрађује.

**▲УПОЗОРЕЊЕ:** Уверите се да сте идентификовали безбедносне мере за заштиту руковаоца које су засноване на процени изложености у стварним условима употребе (узимајући у обзир све делове радног циклуса, као што је време рада уређаја, али и време када је алат искључен и када ради у празном ходу).

### Вибрације

Укупна вредност вибрација (векторски збир по три осе) одређена је према стандарду EN60745-2-3:

Режим рада: брушење површине помоћу стандардног бочног рукохвата

Вредност емисије вибрација ( $a_{h,AG}$ ): 9,0 м/с<sup>2</sup>

Несигурност (K): 1,5 м/с<sup>2</sup>

Режим рада: брушење површине помоћу антивибрационог бочног рукохвата

Вредност емисије вибрација ( $a_{h,AG}$ ): 9,0 м/с<sup>2</sup>

Несигурност (K): 1,5 м/с<sup>2</sup>

Режим рада: брушење диском помоћу стандардног бочног рукохвата

Вредност емисије вибрација ( $a_{h, DS}$ ): 4,0 м/с<sup>2</sup>

Несигурност (К): 1,5 м/с<sup>2</sup>

Режим рада: брушење диском помоћу

антивибрационог бочног рукохвата

Вредност емисије вибрација ( $a_{h, DS}$ ): 3,5 м/с<sup>2</sup>

Несигурност (К): 1,5 м/с<sup>2</sup>

**НАПОМЕНА:** Декларисане укупне вредности вибрација су измерене према стандардизованом мерном поступку и могу се користити за упоређивање алата.

**НАПОМЕНА:** Декларисане укупне вредности вибрација се такође могу користити за прелиминарну процену изложености.

**▲УПОЗОРЕЊЕ:** Вредност емисије вибрација током стварне примене електричног алата може се разликовати од декларисане вредности у зависности од начина на који се користи алат, а посебно која врста предмета се обрађује.

**▲УПОЗОРЕЊЕ:** Уверите се да сте идентификовали безбедносне мере за заштиту руковаоца које су засноване на процени изложености у стварним условима употребе (узимајући у обзир све делове радног циклуса, као што је време рада уређаја, али и време када је алат искључен и када ради у празном ходу).

**▲УПОЗОРЕЊЕ:** Декларисана вредност емисије вибрација важи за главне примене електричног алата. Међутим, ако се електрични алат користи за друге примене, вредност емисије вибрација се може разликовати.

## Е3 декларација о усаглашености

Само за европске земље

Е3 декларација о усаглашености део је Додатка А у овом приручнику са упутствима.

## БЕЗБЕДНОСНА УПОЗОРЕЊА

### Општа безбедносна упозорења за електричне алате

**▲УПОЗОРЕЊЕ:** Прочитајте сва безбедносна упозорења, упутства, илустрације и спецификације које су испоручене уз овај електрични алат. Непоштовање свих доле наведених безбедносних упутстава може изазвати електрични удар, пожар и/или озбиљну повреду.

### Сачувајте сва упозорења и упутства за будуће потребе.

Термин „електрични алат“ у упозорењима односи се на електрични алат који се напаја из електричне мреже (каблом) или батерије (без кабла).

## Безбедносна упозорења за бежичну брусилуцу

Безбедносна упозорења која се односе на брушење, полирање, четкање жичаном четком или абразивно одсецање:

- Овај електрични алат је предвиђен да функционише као алат за брушење, глачање, четкање и одсецање. Прочитајте сва безбедносна упозорења, упутства, илустрације и спецификације које су испоручене уз овај електрични алат.** Непоштовање свих доле наведених безбедносних упутстава може изазвати електрични удар, пожар и/или озбиљну повреду.
- Овај електрични алат се не препоручује за обављање радова као што је полирање.** Обављање радова за које електрични алат није намењен може изазвати опасности и телесне повреде.
- Не користите прибор који није специјално пројектован и препоручен од стране произвођача алата.** Ако неки прибор може да се прикључи на ваш електрични алат, то не значи да осигурава безбедан рад.
- Номинална брзина прибора мора да буде најмање једнака максималној брзини означеној на електричном алату.** Прибори који се крећу брже од њихове номиналне брзине могу да се поломе и разлете у комадићима.
- Спољни пречник и дебелина прибора морају да одговарају номиналном капацитету вашег електричног алата.** Додатни прибори неправилне величине не могу се адекватно заштитити или контролисати.
- Монтирање прибора са навојем мора да се поклапа са навојем вретена брусилуце.** За прибор монтиран помоћу прирубница, прикључни отвор додатног прибора мора да одговара пречнику површине прирубнице. Додатни прибор који не одговара монтажном делу електричног алата биће избачен из равнотеже, јако ће вибрирати и може да доведе до губитка контроле.
- Не користите оштећени додатни прибор.** Пре сваке употребе преконтролишите додатни прибор, на пример, брусне плоче на листање и напрслине, подметаче на напрслине, хабање или претерано трошење, жичану четку на лабаве или напрсле чекиње. Ако електрични алат или прибор падну, проверите да ли су оштећени или инсталирајте неоштећени прибор. Пошто преконтролишете и инсталирате прибор, присутни посматрачи и ви сами треба да се склоните од равни ротирајућег прибора, а електрични алат прво пустите да ради са максималном брзином празног хода око један минут. Оштећени прибор би се обично поломио током овог времена тестирања.

8. **Носите заштитну опрему. У зависности од примене, користите штитник за лице, заштитну маску или заштитне наочаре. Ако је потребно, носите маску за заштитну од прашине, штитнике за слух, рукавице и радну кецељу која може да заустави мале абразивне честице или делиће предмета обраде.** Заштита за очи мора да буде у стању да заустави летеће опилке који се стварају при разним операцијама. Маска за прашину или респиратор морају да буду у стању да филтрирају честице које се стварају док радите. Дуже излагање високом нивоу буке може довести до губитка слуха.
9. **Удаљите посматраче на безбедну удаљеност од радног подручја. Свако ко улази у радно подручје мора да носи личну заштитну опрему.** Делићи предмета обраде или поломљеног прибора могу се одбацити и изазвати повреду и изван непосредног радног подручја.
10. **Електрични алат држите искључиво за изоловане руковате када обављате радове при којима постоји могућност да резни алат додирне скривене водове.** Контакт са каблом под напоном ставља под напон и изложене металне делове електричног алата и излаже руковаоца електричном удару.
11. **Никад не одлажите електрични алат док се прибор потпуно не заустави.** Ротирајући прибор може да се укопа у површину и избаци електрични алат из ваше контроле.
12. **Немојте да укључујете електрични алат док га носите поред тела.** Случајан додир са ротирајућим прибором може да захвати вашу одећу и повуче прибор према вашем телу.
13. **Редовно чистите вентилационе отворе електричног алата.** Мотор-вентилатор ће увлачити прашину у кућиште, а превелико нагомиланање металне прашине може изазвати електричне опасности.
14. **Не укључујте електрични алат близу запалјивих материјала.** Варнице би могле да упале такве материјале.
15. **Немојте да користите прибор за који је потребна расхладна течност.** Употреба воде или других расхладних течности може довести до електричног удара.

#### **Повратни удар и повезана упозорења**

Повратни удар представља изненадну реакцију која се јавља када се ротирајућа плоча, подметач, четка или други прибор уклеште или укопају. Уклештење или укопавање изазива брзо блокирање ротирајућег прибора који са своје стране доводи до принудног неконтролисаног кретања алата у смеру супротном од смера ротације прибора у тренутку уклештења. На пример, ако се брусна плоча укопа или уклешти у предмет обраде, ивица плоче која улази у тачку уклештења може да зарони у површину материјала изазивајући извлачење или одскакање плоче. Плоча може да одскочи или ка руковаоцу или од њега, што зависи од смера кретања плоче у тренутку уклештења. Под таквим условима, може доћи до лома брусних плоча. Повратни удар је резултат неправилног коришћења електричног алата и/или неправилних радних поступака или услова и може се избегнути предузимањем одговарајућих мера опреза које су наведене у наставку.

1. **Чврсто држите алат, а тело и руку поставите тако да може издржати силе повратног удара. Увек користите помоћну дршку, ако постоји, ради максималне контроле над повратним ударом или реакције на обртни момент при покретању.** Руковалац може да контролише силе реакције на обртни момент или силе повратног удара ако предузме одговарајуће мере опреза.
2. **Никада не стављајте руку близу ротирајућег прибора.** Прибор може да направи повратни удар преко ваше руке.
3. **Не заузимајте положај у подручју кретања електричног алата у случају повратног удара.** Повратни удар ће принудити алат да се креће у смеру који је супротан од смера кретања плоче у тренутку уклештења.
4. **Будите нарочито пажљиви када обрађујете углове, оштре ивице итд. Избегавајте одскакање и укопавање прибора.** Углови, оштре ивице или одскакање имају тенденцију укопавања ротирајућег прибора и могу да изазову губљење контроле или повратни удар.
5. **Немојте прикључивати лист тестере за резање дрвета или других материјала.** Такве тестере често стварају повратни удар и доводе до губитка контроле.

#### **Безбедносна упозорења за операције брушења и абразивног одсецања:**

1. **Користите само оне типове плоча који се препоручују за ваш електрични алат и специјалне штитнике за забрану плочу.** Плоче за које електрични алат није дизајниран не могу се адекватно заштитити и нису безбедне.
2. **Брусна површина коленастих брусних плоча мора да буде монтирана испод равни ивице штитника.** Неисправно монтирана плоча која прелази преко равни ивице штитника не може да буде адекватно заштићена.
3. **Штитник мора да буде чврсто причвршћен на електрични алат и постављен тако да обезбеди максималну безбедност, што значи да ће плоча бити минимално изложена на страни руковаоца.** Штитник помаже да се руковалац заштити од делића поломљене плоче, случајног додиривања плоче или варница што може упалити одећу.
4. **Плоче морају да се користе искључиво за предвиђену намену. На пример: немојте да брусите бочном страном диска за одсецање.** Брусне плоче за одсецање намењене су за периферно брушење пошто бочна сила примењена на ове плоче може да изазове њихово пуцање.
5. **За забрану плочу увек користите нештоћене прирубнице за плоче, одговарајуће величине и облика.** Правилно изабране прирубнице за плоче подржавају плочу и смањују могућност да се распадне. Прирубнице за дискове за одсецање могу се разликовати од прирубница за брусне плоче.
6. **Не користите истрошене плоче са већих електричних алата.** Плоча која је намењена за већи алат није подесна за веће брзине мањег алата и може се распрнути.

### **Додатна безбедносна упозорења за операције абразивног одсецања:**

1. **Не „ометајте“ диск за одсецање и не примењујте превелики притисак. Не покушавајте да направите превелики дубоки рез.** Пренапрезање плоче повећава оптерећење и склоност ка увртању и блокирању плоче у резу и могућности повратног удара или ломљења плоче.
2. **Не заузимајте положај у линији са или иза ротирајуће плоче.** Када се у току рада плоча креће супротно од вашег тела, могући повратни удар може принудно усмерити ротирајућу плочу и електрични алат ка вама.
3. **Када се плоча блокира или ако се резање из неког разлога прекине, искључите алат и не померајте га док се плоча потпуно не заустави. Никада не покушавајте да уклоните диск за одсецање из реза док се плоча врти, јер то може изазвати повратни удар.** Проверите и предузмите корективне мере да бисте елиминисали разлог блокирања плоче.
4. **Не започињите поново резање у предмету обраде.** Пустите да плоча достигне пуну брзину и пажљиво поново уведите алат у рез. Плоча може да се блокира, издиже или прави повратни удар у случају да се струја укључи док се плоча налази у резу.
5. **Подуприте плоче или било који предимензионирани предмет обраде да бисте опасност од уклештења и повратног удара свели на минимум.** Велики предмети обраде имају тенденцију да се улежу под сопственом тежином. Средства за осигурање се морају поставити испод предмета обраде, у близини линије резања и у близини ивице предмета обраде, са обе стране плоче.
6. **Будите посебно пажљиви када сечете „цепове“ у постојећим зидовима или на другим непрегледним местима.** Плоча може исећи цевоводе за плин или воду, електричне каблове или предмете који могу изазвати повратни удар.

### **Безбедносна упозорења за операције полирања брусним папиром:**

1. **Не користите предимензионисани брусни папир.** Придржавајте се препорука произвођача при избору брусног папира. Већи брусни папир који штричи изван брусне плоче, представља опасност од цепања и може изазвати укопавање и кидање плоче или повратни удар.

### **Безбедносна упозорења за операције са жичаном четком:**

1. **Имајте на уму да чекиње четке отпадају и приликом нормалног четкања. Немојте да пренапрежете чекиње примењујући превелико оптерећење на четку.** Жичане чекиње могу лако да продру у танку одећу и/или кожу.
2. **Ако користите штитник који је препоручен за рад са жичаном четком, pazите да штитник не омета жичани диск или четку.** Жичани диск или четка могу да повећају свој пречник због рада и центрифугалних сила.

### **Додатна безбедносна упозорења:**

1. **Као коленасте брусне плоче увек употребљавајте само плоче појачане стакленим влакнима.**
2. **НИКАД НЕ КОРИСТИТЕ камена точила за рад ове бруснице.** Ова брусница није пројектована за ову врсту плоча јер може доћи до тешких телесних повреда.
3. **Немојте да оштећујете вретено, прирубницу (посебно монтажну површину) или сигурносне навртње.** Оштећење тих делова може да прозрокује распадање брусне плоче.
4. **Уверите се да плоча није у додиру са предметом обраде пре него што укључите прекидач.**
5. **Пре примене алата на стварном предмету обраде, пустите га да ради извесно време.** Водите рачуна о вибрацијама или подрхтавању који су знак неправилне монтаже или неуравнотежене плоче.
6. **За брушење употребљавајте прописану површину плоче.**
7. **Немојте да остављате укључен алат.** Алат укључите само када га држите рукама.
8. **Предмет обраде не додирујте одмах после завршеног брушења,** јер може да буде врло врућ и можете да се опечете.
9. **Прибор не додирујте одмах после завршеног брушења,** јер може да буде врло врућ и можете да се опечете.
10. **Водите рачуна о упутству произвођача у вези са правилном монтажом и употребом брусних плоча.** Плочама рукујте опрезно и опрезно их складиштите.
11. **За прилагођавање брусних плоча са већим отвором не употребљавајте посебне редукционе спојнице или адаптере.**
12. **Користите само прирубнице које су спецификацијом предвиђене за овај алат.**
13. **Код алата са навојним отвором плоче побрините се да дужина навоја на плочи одговара за прихватање дужине вретена.**
14. **Проверите да ли је предмет обраде правилно подупрт.**
15. **Водите рачуна о томе да се плоча окреће још извесно време после искључивања алата.**
16. **Ако је радно место веома вруће, влажно или пуно прашине која проводи електрицитет, прикључите апарат помоћу склопке за заштиту од кратког споја (30 mA) ради заштите руковаоца.**
17. **Алат не употребљавајте за обраду материјала који садрже азбест.**
18. **Када користите диск за одсецање, увек радите са штитником плоче за сакупљање прашине, што је предвиђено локалним прописима.**
19. **Резне плоче не смеју да буду изложене било каквом бочном притиску.**
20. **Немојте да користите платнене рукавице током рада.** Влакна са платнених рукавица могу да доспеју у алат, што може да доведе до квара на алату.



21. Уверите се да нема електричних каблова, водоводних цеви, гасних цеви итд. који могу да изазову опасност ако се оштете током коришћења алата.

## САЧУВАЈТЕ ОВО УПУТСТВО.

**▲УПОЗОРЕЊЕ:** НЕМОЈТЕ себи да дозволите да занемарите строга безбедносна правила која се односе на овај производ услед чињенице да сте производ добро упознали и стекли рутину у руковању њиме (услед честог коришћења). **НЕНАМЕНСКА УПОТРЕБА** или непоштовање безбедносних правила наведених у овом упутству могу довести до тешких телесних повреда.

## Важна безбедносна упутства која се односе на уложак батерије

- Пре употребе уложка батерије, прочитајте сва упутства и безбедносне ознаке на (1) пуњачу батерије, (2) батерији и (3) производу који користи батерију.
- Не растављајте и не модификујте уложак батерије. Тиме можете да изазовете пожар, прекомерно загревање или експлозију.
- Ако се време рада знатно скратило, одмах престаните са коришћењем. То може да доведе до ризика од прегревања, могућих опекотина, па чак и експлозије.
- Ако електролит доспе у очи, исперите их чистом водом и одмах затражите помоћ лекара. То може да доведе до губитка вида.
- Немојте да изазивате кратак спој уложка батерије:
  - Немојте додиривати прикључке било којим проводним материјалом.
  - Избегавајте складиштење уложка батерије у кутији са другим металним предметима као што ексери, новчићи итд.
  - Немојте да излажете уложак батерије води или киши.

Кратак спој батерије може да доведе до великог протока струје, прегревања, могућих опекотина, па чак и прегоривања.
- Немојте да складиштите и користите алат и уложак батерије на местима где температура може да достигне или премашу 50 °C (122 °F).
- Немојте да палите уложак батерије чак ни када је озбиљно оштећен или потпуно похабан. Уложак батерије може да експлодира у ватри.
- Немојте да закивате, сечете, ломите, бацате или испуштате уложак батерије, или да њиме ударате по чврстој површини. На тај начин можете да изазовете пожар, прекомерно загревање или експлозију.
- Немојте да користите оштећену батерију.
- Сдржане литијум-јонске батерије подлежу Закону о превозу опасних материја. Приликом комерцијалног превоза, нпр. од стране трећих лица и превозника, мора се обратити посебна пажња на специјалне захтеве паковања и обележавања.

Приликом припреме материјала за превоз, потребно је саветовати се са стручњаком за опасне материје. Такође обратите пажњу на евентуалне даље националне прописе. Омотајте траком или прекријте отворене контакте и запакујте батерију тако да се не може померати унутар паковања.

- Када одлажете уложак батерије на отпад, извадите га из алата и одложите на безбедно место. Придржавајте се локалних прописа у вези са одлагањем батерије.
- Батерије користите само са производима које је навела компанија Makita. Постављање батерије на производе који нису усаглашени може да доведе до пожара, прекомерне топлоте, експлозије или цурења електролита.
- Ако се алат не користи током дужег периода, батерија мора да се извади из алата.
- Током и након коришћења, уложак батерије може да акумулира толико топлоте да то може довести до опекотина, уобичајених и нискотемпературних. Пажљиво рукујте врућим улошцима батерије.
- Не додирујте контакте алата одмах након коришћења јер су можда толико врући да могу да изазову опекотине.
- Водите рачуна да се струготина, прашина или земља не заглаве у контактима, рупицама и жлебовима уложка батерије. У супротном може доћи до лошег учинка или прегоривања алата или уложка батерије.
- Осим ако алат то не подржава, немојте да користите уложак батерије близу високонапонских разводних линија електричне струје. У супротном може доћи до квара или прегоривања алата или уложка батерије.
- Држите батерију ван домашаја деце.

## САЧУВАЈТЕ ОВО УПУТСТВО.

**▲ПАЖЊА:** Користите само оригиналне Makita батерије. Коришћење Makita батерија које нису оригиналне или батерија које су измењене може да доведе до пуцања батерије, које може да изазове пожар, телесне повреде или штету. То ће такође поништити гаранцију компаније Makita за Makita алат и пуњач.

## Савети за максимално трајање батерије

- Напуните уложак батерије пре него што се потпуно испразни. Сваки пут прекините рад са алатом и напуните уложак батерије када приметите да је снага алата слабија.
- Никада немојте да поново пуните потпуно напуњени уложак батерије. Препуњавање скраћује радни век батерије.
- Пуните уложак батерије на собној температури између 10°C и 40°C (између 50°F и 104°F). Сачекајте да се врући уложак батерије охлади пре пуњења.
- Када не користите уложак батерије, извадите га из алата или пуњача.
- Напуните уложак батерије ако га нећете користити дуже време (више од шест месеци).

# ОПИС НАЧИНА ФУНКЦИОНИСАЊА

**▲ ПАЗЊА:** Пре подешавања или провере функција алата увек проверите да ли је алат искључен и да ли је уложак батерије уклоњен.

## Постављање и уклањање улошка батерије

**▲ ПАЗЊА:** Увек искључите алат пре постављања или уклањања улошка батерије.

**▲ ПАЗЊА:** Држите чврсто алат и уложак батерије када постављате или уклањате уложак батерије. Ако алат и уложак батерије не будете држали чврсто, могу вам исклизнути из руку, оштетити се при паду и повредити вас.

► **Слика1:** 1. Црвени индикатор 2. Дугме 3. Уложак батерије

Да бисте уклонили уложак батерије, клизањем га извуците из алата док клизањем померате дугме на предњој страни улошка.

Да бисте поставили уложак батерије, поравнајте језичак на њему са жлебом на кућишту и гурните га на место. Гурните га до краја тако да легне на своје место и чује се тихо шкљоцање. Ако можете да уочите црвени индикатор на горњој страни дугмета, то значи да уложак батерије није потпуно заључан.

**▲ ПАЗЊА:** Увек до краја гурните уложак батерије тако да се црвени индикатор не види. У супротном, он случајно може испасти из алата и повредити вас или неку особу у вашој близини.

**▲ ПАЗЊА:** Немојте на силу да постављате уложак батерије. Ако уложак не можете лако да гурнете, то значи да га не постављате исправно.

## Приказ преосталог капацитета батерије

Притисните дугме за проверу на улошку батерије да бисте приказали преостали капацитет батерије. Индикаторске лампце ће се укључити на неколико секунди.

► **Слика2:** 1. Индикаторске лампце 2. Дугме за проверу

Индикаторске лампце			Преостали капацитет
Светли	Искључено	Трепће	
■	□	▧	Од 75% до 100%
■ ■ ■ ■			
■ ■ ■ ■	□		Од 50% до 75%
■ ■ ■ □	□ □		Од 25% до 50%
■ ■ □ □	□ □ □ □		Од 0% до 25%
▧ □ □ □	□ □ □ □		Напуните батерију.
■ ■ □ □	□ □ ■ ■		Могуће је да је батерија постала неисправна.
□ □ □ □	□ □ ■ ■	↑ ↓	

**НАПОМЕНА:** У зависности од услова коришћења и температуре околине, приказани капацитет може донекле да се разликује од стварног.

**НАПОМЕНА:** Прва (крајња лева) индикаторска лампица трепери када систем за заштиту батерије ради.

## Систем за заштиту алата/батерије

Алат је опремљен системом за заштиту алата/ батерије. Овај систем аутоматски прекида напајање мотора како би продужио век трајања алата и батерије. Алат ће се аутоматски зауставити током рада ако алат или батерија уђу у једно од следећих стања:

### Заштита од преоптерећења

Када се алатом/батеријом рукује тако да он вуче превелику струју, алат ће аутоматски престати са радом без упозорења. У овој ситуацији, искључите алат и престаните са употребом која је довела до преоптерећења алата. Затим укључите алат да бисте га поново покренули.

### Заштита од прегревања

Када се алат/батерија прегреје, алат ће аутоматски престати да ради. Сачекајте да се алат охлади пре него што га поново укључите.

### Заштита од превеликог пражњења

Када капацитет батерије није довољан, алат аутоматски престаје с радом. У том случају, уклоните батерију из алата и напуните је.

### Ослобађање заштитне браве

Када систем за заштиту ради понављајуће, алат је закључан.

У овој ситуацији, алат се не покреће чак ни када га искључите и поново укључите. Да бисте ослободили заштитну браву, уклоните батерију, убаците је у пуњач батерије и сачекајте да се пуњење заврши.

## Брава осовине

Притисните тастер за браву осовине да се осовина не би обртала када постављате или скидате додатну опрему.

► **Слика3:** 1. Брава осовине

**ОБАВЕШТЕЊЕ:** Немојте да активирате браву осовине када се осовина окреће. Може доћи до оштећења алата.

## Функционисање прекидача

**⚠ ПАЖЊА:** Пре убацивања улошка батерије у алат, увек проверите да ли се полуга прекидача правилно активира и да ли се враћа у положај „OFF“ (Искључено) пошто је пустите.

**⚠ ПАЖЊА:** Ради ваше безбедности, овај алат је опремљен полугом за закључавање која спречава ненамерно покретање алата. НИКАДА немојте користити овај алат ако се покреће при самом повлачењу полуге прекидача без повлачења полуге за закључавање. ПРЕ даље употребе вратите алат сервисном центру ради адекватне поправке.

**⚠ ПАЖЊА:** Немојте снажно да повлачите полугу прекидача ако нисте повукли полугу за откључавање. То може да доведе до ломљења прекидача.

**⚠ ПАЖЊА:** НИКАДА немојте да лепите траком полугу за ослобађање из блокираног положаја или да мењате њену сврху и функцију.

► **Слика4:** 1. Полуга за закључавање 2. Полуга прекидача

Да не би дошло до случајног повлачења полуге прекидача, обезбеђена је полуга за закључавање. Да бисте покренули алат, повуците полугу за закључавање према руковаоцу, а затим повуците полугу прекидача. Да зауставите алат, отпустите прекидач.

## Функција за спречавање случајног укључивања

Алат се не покреће када се уложак батерије постави уз истовремено повлачење полуге прекидача. Да бисте покренули алат, најпре отпустите полугу прекидача. Затим повуците полугу за закључавање, а потом и полугу прекидача.

## Функција електронске контроле обртног момента

Алат електронски открива ситуације у којима су диск или прибор у опасности да се заглаве. У том случају, алат се аутоматски искључује како би се спречила даља ротација осовине (што неће спречити повратни удар). Да бисте поново покренули алат, најпре га искључите, уклоните разлог изненадног пада брзине ротације, а затим поново укључите алат.

## Функција лаганог старта

Функција лаганог старта смањује почетну реакцију.

## СКЛАПАЊЕ

**⚠ ПАЖЊА:** Пре подешавања или провере функција алата увек проверите да ли је алат искључен и да ли је уложак батерије уклоњен.

## Монтажа бочног рукохвата (дршке)

**⚠ ПАЖЊА:** Пре употребе се побрините да бочни рукохват буде правилно монтиран.

Бочни рукохват чврсто притегните на алат у положају приказаном на слици.

► **Слика5**

## Постављање или скидање штитника плоче

**⚠ УПОЗОРЕЊЕ:** Када се користи коленаста брусна плоча / преклопни диск, еластична плоча или обртна жичана четка, штитник плоче треба причврстити на алат тако да страна са штитником плоче буде увек усмерена према руковаоцу алатом.

**⚠ УПОЗОРЕЊЕ:** Уверите се да је штитник плоче сигурно закључан ручицом за закључавање у неком од отвора на штитнику плоче.

**⚠ УПОЗОРЕЊЕ:** Када се користи брусна плоча за одсецање / дијамантска плоча, обавезно користите искључиво специјални штитник плоче пројектован за коришћење са брусним дисковима за одсецање.

(У јединим европским земљама се може користити обичан штитник за рад са дијамантском плочом. Придржавајте се прописа у вашој земљи.)

## За коленасте брусне плоче, преклопни диск, еластичне плоче, обртне жичане четке / брусни диск за одсецање, дијамантске плоче

1. Док гурате ручицу за закључавање, поставите штитник плоче тако да испупчења на њему буду поравната са зарезима на кућишту лежаја.

► **Слика6:** 1. Ручица за закључавање 2. Зарез 3. Испупчење

2. Док гурате ручицу за закључавање према А, притисните штитник плоче тако што ћете делове Б држати притиснутим као што је приказано на слици.

► **Слика7:** 1. Штитник плоче 2. Отвор

**НАПОМЕНА:** Притисните штитник плоче директно надоле. У супротном нећете моћи да притиснете штитник плоче до краја.

3. Док држите ручицу за закључавање и штитник плоче у положају који је описан у кораку 2, окрећите штитник плоче према Ц, а затим промените угао штитника плоче у складу са послом тако да руковалац може да буде заштићен. Поравнајте ручицу за закључавање са неким од отвора на штитнику плоче, а затим отпустите ручицу за закључавање да бисте закључали штитник плоче.

► **Слика8:** 1. Штитник плоче 2. Отвор

**НАПОМЕНА:** Притисните штитник плоче до краја. У супротном нећете моћи да окренете штитник плоче.

Да бисте скинули штитник плоче, примените обрнути редослед.

## Постављање или скидање коленасте брусне плоче / преклопног диска

*Опциони додатни прибор*

**▲ УПОЗОРЕЊЕ:** Када се користи коленаста брусна плоча или преклопни диск, штитник плоче треба причврстити на алат тако да страна са штитником буде увек усмерена према руковаоцу.

**▲ ПАЖЊА:** Уверите се да се део за постављање унутрашње прирубнице савршено уклапа у унутрашњи пречник коленасте брусне плоче / преклопног диска. Постављање унутрашње прирубнице на погрешну страну може да доведе до опасних вибрација.

Унутрашњу прирубницу поставите на осовину. Уверите се да је назубљени део унутрашње прирубнице налегао на прави део на дну осовине. Коленасту брусну плочу / преклопни диск навуците на унутрашњу прирубницу и заврните сигурносни навртањ на осовину.

► **Слика9:** 1. Сигурносни навртањ 2. Коленаста брусна плоча 3. Унутрашња прирубница 4. Део за постављање

Да бисте притегли сигурносни навртањ, снажно притисните браву осовине тако да осовина не може да се окреће, а затим кључем чврсто притегните сигурносни навртањ у смеру казаљке на сату.

► **Слика10:** 1. Кључ за сигурносни навртањ 2. Брава осовине

Да бисте скинули брусну плочу, примените обрнути редослед.

## Постављање или скидање еластичне плоче

*Опциони додатни прибор*

**▲ УПОЗОРЕЊЕ:** Увек користите испоручени штитник када је еластична плоча на алату. Плоча се може сломити током употребе, а штитник помаже тако што смањује шансе да дође до повреде.

► **Слика11:** 1. Сигурносни навртањ 2. Еластична плоча 3. Подметач 4. Унутрашња прирубница

Пратите упутства за коленасту брусну плочу, али на плочи користите и подметач. Погледајте редослед склапања на страници са додатним прибором у овом приручнику.

## Монтирање и уклањање брусног диска

*Опциони додатни прибор*

► **Слика12:** 1. Сигурносни навртањ за полирање 2. Брусни диск 3. Гумена подлошка

1. Гумену подлошку поставите на осовину.
2. Поставите диск на гумену подлошку и заврните сигурносни навртањ за полирање на осовину.
3. Држите осовину уз помоћ браве осовине и помоћу кључа за сигурносни навртањ добро затегните навртањ за закључавање шмиргле у смеру казаљке на сату.

Да бисте скинули диск, примените обрнути редослед.

**НАПОМЕНА:** Употребљавајте само брусни прибор наведен у овом упутству. Морате га засебно купити.

## Постављање или скидање Ezyrut сигурносног навртња

*Опциони додатни прибор*

**▲ ПАЖЊА:** Немојте да користите Ezyrut са надприрубницом или угаоном брусилицом која има ознаку „F“ на крају броја модела. Ове прирубнице су толико дебеле да осовина не може да задржи цео навој.

► **Слика13:** 1. Ezyrut матица прирубнице 2. Абразивна плоча 3. Унутрашња прирубница 4. Вретено

Поставите унутрашњу прирубницу, абразивну плочу и Ezyrut на осовину тако да Makita логотип на Ezyrut матици буде окренут ка споља.

► **Слика14:** 1. Блокада вретена

Снажно притисните тастер за блокаду вретена и затегните Ezyrut матицу окретањем абразивне плоче у смеру казаљке на сату до краја. Окрените спољашњи прстен Ezyrut матице у смеру супротном од кретања казаљке на сату да бисте га олабавили.

► **Слика15:** 1. Стрелица 2. Зарез

► **Слика16**

**НАПОМЕНА:** Ezyrut може да се олабави руком ако је стрелица поравната са жлебом. У супротном се може олабавити само кључем за сигурносну матицу. Убаците један крак кључа у отвор и окрените Ezyrut у смеру супротном од кретања казаљке на сату.

## Постављање брусне плоче за одсецање / дијамантске плоче

### Опциони додатни прибор

**▲УПОЗОРЕЊЕ:** Када се користи брусна плоча за одсецање / дијамантска плоча, обавезно користите искључиво специјални штитник плоче пројектован за коришћење са брусним дисковима за одсецање.

(У појединим европским земљама се може користити обичан штитник за рад са дијамантском плочом. Придржавајте се прописа у вашој земљи.)

**▲УПОЗОРЕЊЕ:** НИКАДА не користите брусни диск за одсецање за радове на бочном брушењу.

- **Слика17:** 1. Сигурносни навртањ 2. Брусна плоча за одсецање / дијамантска плоча 3. Унутрашња прирубница 4. Штитник плоче за брусну плочу за одсецање / дијамантску плочу

За монтажу пратите упутство за коленасту брусну плочу.

**Смер монтаже сигурносног навртња и унутрашње прирубнице зависи од типа и дебљине плоче.**

Погледајте следеће слике.

**Приликом постављања брусне плоче за одсецање:**

- **Слика18:** 1. Сигурносни навртањ 2. Брусна плоча за одсецање (тања од 4 мм (5/32")) 3. Брусна плоча за одсецање (4 мм (5/32") или дебља) 4. Унутрашња прирубница

**Приликом постављања дијамантске плоче:**

- **Слика19:** 1. Сигурносни навртањ 2. Дијамантска плоча (тања од 4 мм (5/32")) 3. Дијамантска плоча (4 мм (5/32") или дебља) 4. Унутрашња прирубница

## Постављање жичане четке у облику купе

### Опциони додатни прибор

**▲ПАЖЊА:** Не употребљавајте четку која је оштећена или неуравнотежена. Ако користите оштећену четку, повећаће се опасност од повреде изазване сломљеним жицама са четке.

- **Слика20:** 1. Жичана четка у облику купе

Скините уложак батерије са алата и окрените га наопако да бисте омогућили једноставан приступ осовини.

Скините све додатке са осовине. Ставите жичану четку у облику купе на осовину и стегните је испорученим кључем.

## Постављање обртне жичане четке

### Опциони додатни прибор

**▲ПАЖЊА:** Не употребљавајте обртну жичану четку која је оштећена или неуравнотежена. Ако користите оштећену обртну жичану четку, повећаће се опасност од повреде изазване сломљеним жицама са четке.

**▲ПАЖЊА:** УВЕК користите штитник с обртним жичаним четкама, водећи рачуна да пречник плоче одговара штитнику. Плоча се може сломити током употребе, а штитник помаже тако што смањује шансе да дође до повреде.

- **Слика21:** 1. Обртна жичана четка

Скините уложак батерије са алата и окрените га наопако да бисте омогућили једноставан приступ осовини.

Скините све додатке са осовине. Заврните обртну жичану четку на осовину и стегните је кључем.

## РАД

**▲УПОЗОРЕЊЕ:** Током рада никада не употребљавајте силу. Сама тежина алата обезбеђује довољан притисак. У случају претераног притиска постоји опасност да се плоча распадне.

**▲УПОЗОРЕЊЕ:** Брусну плочу УВЕК замените ако се алат током брушења срушио.

**▲УПОЗОРЕЊЕ:** Брусна плоча НИКАДА не сме да удари о предмет обраде.

**▲УПОЗОРЕЊЕ:** Водите рачуна да брусна плоча не одскочи или да се не окрњи, нарочито приликом обраде углава, оштрих ивица итд. То би могло да изазове губитак контроле и повратни ударац.

**▲УПОЗОРЕЊЕ:** Алат НИКАДА не употребљавајте са листовима тестере за резање дрвета и другим листовима тестере. Ако се употребе на брусници, такви листови тестере изазивају честе повратне ударце и губитак контроле, што може да доведе до повреда.

**▲ПАЖЊА:** Никада немојте да укључујете алат када је у контакту са предметом обраде, јер може доћи до повреде руковаоца.

**▲ПАЖЊА:** Увек носите заштитне наочаре или штитник за лице током рада.

**▲ПАЖЊА:** По завршетку рада увек искључите алат и пре одлагања алата сачекајте да се брусна плоча потпуно заустави.

**▲ПАЖЊА:** Алат УВЕК чврсто држите једном руком за кућиште, а другом за бочни рукохват (дршку).

## Брушење и полирање

### ► Слика22

Укључите алат, а затим ставите плочу или диск на предмет обраде.  
Обично ивицу плоче или диска треба држати под углом од отприлике 15° у односу на површину предмета обраде. Током периода уходавања са новом плочом, немојте да усмеравате брусилицу унапред, пошто ће засећи предмет обраде. Када се ивица плоче услед употребе заобли, плочу можете да употребљавате у оба правца – унапред и уназад.

## Рад са брусном плочом за одсецање / дијамантском плочом

### Опциони додатни прибор

**▲УПОЗОРЕЊЕ:** Не „ометајте“ плочу и не примењујте превелики притисак. Не покушавајте да направите превише дубоки рез. Пренапрезање плоче повећава оптерећење и склоност ка увртању и блокирању плоче у резу и могућност повратног удара, ломљења плоче и прегревања мотора.

**▲УПОЗОРЕЊЕ:** Не започињите резање у предмету обраде. Пустите да плоча достигне пуну брзину и пажљиво уведите алат у рез померајући алат унапред преко површине предмета обраде. Плоча може да се блокира, издиже или прави повратни удар у случају да дође до укључивања струје док се плоча налази у резу.

**▲УПОЗОРЕЊЕ:** Никад не мењајте угао нагиба плоче током резања. Бочни притисак на диск за одсецање (као код брушења) доведиће до прскања и ломљења диска, што може проузроковати озбиљне повреде.

**▲УПОЗОРЕЊЕ:** Дијамантску плочу треба употребљавати под правим углом у односу на материјал који се сече.

Пример употребе: рад са брусним диском за одсецање

### ► Слика23

Пример употребе: рад са дијамантском плочом

### ► Слика24

## Руковање жичаном четком у облику купе

### Опциони додатни прибор

**▲ПАЖЊА:** Проверите функционисање четке радом у празном ходу, и то само када сте сигурни да никог нема испред или у линији са четком.

**ОБАВЕШТЕЊЕ:** Немојте примењивати превелики притисак док користите жичану четку у облику купе, јер то изазива савијање жица. Може довести до превременог ломљења.

Пример употребе: рад са жичаном четком у облику купе

### ► Слика25

## Руковање обртном жичаном четком

### Опциони додатни прибор

**▲ПАЖЊА:** Проверите функционисање обртне жичане четке радом у празном ходу, и то само када сте сигурни да никог нема испред или у линији са четком.

**ОБАВЕШТЕЊЕ:** Немојте примењивати превелики притисак док користите обртну жичану четку, јер то изазива савијање жица. Може довести до превременог ломљења.

Пример употребе: рад са обртном жичаном четком

### ► Слика26

## ОДРЖАВАЊЕ

**▲ПАЖЊА:** Пре него што почнете с прегледом или одржавањем алата, искључите алат и уклоните уложак батерије.

**ОБАВЕШТЕЊЕ:** Никад немојте да користите нафту, бензин, разређивач, алкохол и слична средства. Може доћи до губитка боје, деформације или оштећења.

БЕЗБЕДАН и ПОУЗДАН рад алата гарантујемо само ако поправке, свако друго одржавање или подешавање, препустите овлашћеном сервису за алат Makita, уз употребу оригиналних резервних делова Makita.

## Чишћење вентилационог отвора

Алат и вентилационе отворе увек одржавајте чистим. Вентилационе отворе чистите редовно или када почну да се зачепљују.

► Слика27: 1. Издувни отвор 2. Усисни отвор

Скините поклопац за прашину са усисног отвора и очистите га ради несметаног циркулисања ваздуха.

► Слика28: 1. Поклопац за заштиту од прашине

**ОБАВЕШТЕЊЕ:** Очистите поклопац за прашину када се запуши прашином или страним предметима. Наставак употребе са запушеним поклопцем за прашину може оштетити алат.

# ОПЦИОНИ ПРИБОР

**▲ ПАЖЊА:** Ова опрема и прибор су предвиђени за употребу са алатом Makita описаним у овом упутству за употребу. Употреба друге опреме и прибора може да доведе до повреда. Користите делове прибора или опрему искључиво за предвиђену намену.

Да бисте добили више детаља у вези са овим прибором, обратите се локалном сервисном центру компаније Makita.

- Makita оригинална батерија и пуњач

► Слика29

–	Модел од 150 мм (6")
1	Дршка 36
2	Штитник плоче (за брусну плочу)
3	Унутрашња прирубница
4	Коленаста брусна плоча / преклопни диск
5	Сигурносни навртањ
6	Подметач
7	Еластична плоча
8	Гумена подлошка 125
9	Брусни диск
10	Сигурносни навртањ за полирање
11	Обртна жичана четка
12	Жичана четка у облику купе
13	Штитник плоче (за диск за одсецање) *1
14	Брусна плоча за одсецање / дијамантска плоча
–	Кључ за сигурносни навртањ

**НАПОМЕНА:** \*1 У неким европским земљама, када се користи дијамантска плоча, обични штитник може да се користи уместо специјалног штитника покривајући обе стране плоче. Придржавајте се прописа у вашој земљи.

**НАПОМЕНА:** Поједине ставке на листи могу бити укључене у садржај паковања алата као стандардна опрема. Оне се могу разликовати од земље до земље.

## SPECIFICAȚII

<b>Model:</b>		<b>GA036G</b>
Diametrul discului		150 mm (6")
Grosimea maximă a discului		6,4 mm
Filetul arborelui		M14 sau 5/8" (în funcție de țară)
Turație nominală (n)		8.500 min <sup>-1</sup>
Lungime totală	cu BL4025	398 mm
	cu BL4040	410 mm
Greutate netă		3,1 - 3,7 kg
Tensiune nominală		Max. 36 V - 40 V cc.

- Datorită programului nostru continuu de cercetare și dezvoltare, specificațiile pot fi modificate fără o notificare prealabilă.
- Specificațiile pot varia în funcție de țară.
- Greutatea poate diferi în funcție de accesoriu(ii), inclusiv cartușul acumulatorului. În tabel se prezintă combinația cea mai ușoară și cea mai grea, conform Procedurii EPTA 01/2014.

### Cartușul acumulatorului și încărcătorul aplicabile

Cartușul acumulatorului	BL4025 / BL4040
Încărcător	DC40RA

- Este posibil ca unele cartușe ale acumulatorilor și încărcătoare menționate mai sus să nu fie disponibile în funcție de regiunea dvs. de reședință.

**⚠️ AVERTIZARE:** Utilizați numai cartușele de acumulator și încărcătoarele enumerate mai sus. Utilizarea oricărui altor cartușe de acumulator și încărcătoare poate duce la rănire și/sau incendiu.

### Destinația de utilizare

Mașina este destinată polizării, șlefuirii, perierii și tăierii materialelor de metal și piatră fără utilizarea apei.

### Zgomot

Nivelul de zgomot normal ponderat A determinat în conformitate cu EN60745-2-3:

Nivel de presiune acustică ( $L_{pA}$ ): 82 dB(A)

Nivel de putere acustică ( $L_{WA}$ ): 93 dB (A)

Marjă de eroare (K): 3 dB(A)

**NOTĂ:** Valoarea (valorile) totală(e) a (ale) emisiilor de zgomot declarate a(u) fost măsurată(e) în conformitate cu o metodă de test standard și poate (pot) fi utilizată(e) pentru compararea unei uneelte cu alta.

**NOTĂ:** Valoarea (valorile) totală(e) a (ale) emisiilor de zgomot declarate poate (pot) fi, de asemenea, utilizată(e) într-o evaluare preliminară a expunerii.

**⚠️ AVERTIZARE:** Purtați echipament de protecție pentru urechi.

**⚠️ AVERTIZARE:** Emisiile de zgomot în timpul utilizării efective a unelei electrice poate diferi de valoarea (valorile) nivelului declarat, în funcție de modul în care unealta este utilizată, în special ce fel de piesă este prelucrată.

**⚠️ AVERTIZARE:** Asigurați-vă că identificați măsurile de siguranță pentru a proteja operatorul, acestea fiind bazate pe o estimare a expunerii în condiții reale de utilizare (luând în considerare toate părțile ciclului de operare, precum timpii în care unealta a fost oprită, sau a funcționat în gol, pe lângă timpul de declanșare).

### Vibrații

Valoarea totală a vibrațiilor (suma vectorilor tri-axiali) determinată conform EN60745-2-3:

Mod de lucru: rectificare plană cu mâner lateral normal

Emisie de vibrații ( $a_{h,AG}$ ): 9,0 m/s<sup>2</sup>

Marjă de eroare (K): 1,5 m/s<sup>2</sup>

Mod de lucru: rectificare plană cu mâner lateral împotriva vibrațiilor

Emisie de vibrații ( $a_{h,AG}$ ): 9,0 m/s<sup>2</sup>

Marjă de eroare (K): 1,5 m/s<sup>2</sup>

Mod de lucru: șlefuire cu disc cu mâner lateral normal

Emisie de vibrații ( $a_{h,DS}$ ): 4,0 m/s<sup>2</sup>

Marjă de eroare (K): 1,5 m/s<sup>2</sup>

Mod de lucru: șlefuire cu disc cu mâner lateral împotriva vibrațiilor

Emisie de vibrații ( $a_{h,DS}$ ): 3,5 m/s<sup>2</sup>

Marjă de eroare (K): 1,5 m/s<sup>2</sup>



**NOTĂ:** Valoarea (valorile) totală(e) a (ale) nivelului de vibrații declarat a (au) fost măsurată(e) în conformitate cu o metodă de test standard și poate (pot) fi utilizată(e) pentru compararea unei unelte cu alta.

**NOTĂ:** Valoarea (valorile) totală(e) a (ale) nivelului de vibrații declarat poate (pot) fi, de asemenea, utilizată(e) într-o evaluare preliminară a expunerii.

**⚠️ AVERTIZARE:** Nivelul de vibrații în timpul utilizării efective a unelei electrice poate diferi de valoarea (valorile) nivelului declarat, în funcție de modul în care uneltea este utilizată, în special ce fel de piesă este prelucrată.

**⚠️ AVERTIZARE:** Asigurați-vă că identificați măsurile de siguranță pentru a proteja operatorul, acestea fiind bazate pe o estimare a expunerii în condiții reale de utilizare (luând în considerare toate părțile ciclului de operare, precum timpii în care uneltea a fost oprită, sau a funcționat în gol, pe lângă timpul de declanșare).

**⚠️ AVERTIZARE:** Nivelul de vibrații declarat este utilizat pentru aplicațiile principale ale mașinii electrice. Totuși, dacă mașina electrică este utilizată pentru alte aplicații, valoarea vibrațiilor emise poate fi diferită.

## Declarație de conformitate CE

### Numai pentru țările europene

Declarația de conformitate CE este inclusă ca Anexa A în acest manual de instrucțiuni.

## AVERTIZĂRI DE SIGURANȚĂ

### Avertismente generale de siguranță pentru mașinile electrice

**⚠️ AVERTIZARE:** Citiți toate avertismentele privind siguranța, instrucțiunile, ilustrațiile și specificațiile furnizate cu această sculă electrică. Nerespectarea integrală a instrucțiunilor de mai jos poate cauza electrocutări, incendii și/sau vătămări corporale grave.

### Păstrați toate avertismentele și instrucțiunile pentru consultări ulterioare.

Termenul „mașină electrică” din avertizări se referă la mașinile dumneavoastră electrice acționate de la rețea (prin cablu) sau cu acumulator (fără cablu).

## Avertizări privind siguranța pentru polizorul fără cablu

**Avertismente privind siguranța comune operațiunilor de polizare, de șlefuire, periere sau operațiunilor de tăiere abrazivă:**

1. Această sculă electrică este destinată să funcționeze ca polizor, șlefuitor, perie de sârmă sau mașină de tăiat. Citiți toate avertismentele privind siguranța, instrucțiunile, ilustrațiile și specificațiile furnizate cu această mașină electrică. Nerespectarea integrală a instrucțiunilor de mai jos poate cauza electrocutări, incendii și/sau vătămări corporale grave.
2. Nu este recomandată executarea operațiilor cum ar fi lustruirea cu această sculă electrică. Operațiile pentru care această mașină electrică nu a fost concepută pot fi periculoase și pot provoca vătămări corporale.
3. Nu folosiți accesorii care nu sunt special concepuți și recomandați de producătorul mașinii. Simplul fapt că accesoriul poate fi atașat la mașina dumneavoastră electrică nu asigură funcționarea în condiții de siguranță.
4. Turația nominală a accesoriului trebuie să fie cel puțin egală cu turația maximă indicată pe scula electrică. Accesoriile utilizate la o turație superioară celei nominale se pot sparge și împrăștia.
5. Diametrul exterior și grosimea accesoriului dumneavoastră trebuie să se înscrie în capacitatea nominală a sculei electrice. Accesoriile de dimensiuni incorecte nu pot fi protejate sau controlate în mod corespunzător.
6. Montarea prin filetare a accesoriilor trebuie să corespundă arborelui filetat al polizorului. Pentru accesorii montate prin flanșe, orificiul arborelui accesoriului trebuie să corespundă diametrului de localizare a flanșei. Accesoriile care nu se potrivesc cu uneltele de montaj ale mașinii electrice vor funcționa dezechilibrat, vor vibra excesiv și pot cauza pierderea controlului.
7. Nu folosiți un accesoriu deteriorat. Înaintea fiecărei utilizări inspecți accesoriile, cum ar fi roțile abrazive, în privința sfărâmăturilor și fisurilor, discurile de fixare în privința fisurilor, rupturii sau uzurii excesive, peria de sârmă în privința firelor slăbite sau plesnite. Dacă scăpați pe jos mașina sau accesoriul, inspecți-le cu privire la deteriorări sau instalați un accesoriu intact. După inspectarea și instalarea unui accesoriu, poziționați-vă împreună cu trecătorii la depărtare de planul accesoriului rotativ și porniți mașina electrică la viteza maximă de mers în gol timp de un minut. Accesoriile deteriorate se vor sparge în mod normal pe durata acestui test.
8. Purtați echipamentul individual de protecție. În funcție de aplicație, folosiți o mască de protecție, ochelari de protecție sau viziere de protecție. Dacă este cazul, purtați o mască de protecție contra prafului, mijloace de protecție a auzului, mănuși și un șorț de lucru capabil să oprească fragmentele mici abrazive sau fragmentele piesei. Mijloacele de protecție a vederii trebuie să fie capabile să oprească resturile proiectate în aer generate la diverse operații. Maska de protecție contra prafului sau masca respiratorie trebuie să fie capabilă să filtreze particulele generate în timpul operației respective. Expunerea prelungită la zgomot foarte puternic poate provoca pierderea auzului.

9. **Țineți trecătorii la o distanță sigură față de zona de lucru. Orice persoană care pătrunde în zona de lucru trebuie să poarte echipament individual de protecție.** Fragmentele piesei prelucrate sau ale unui accesoriu spart pot fi proiectate în jur cauzând vătămări corporale în zona imediat adiacentă zonei de lucru.
10. **Țineți mașina electrică numai de suprafețele de prindere izolate atunci când executați o operație la care scula de tăiere poate intra în contact cu cabluri ascunse.** Contactul cu un cablu aflat sub tensiune va pune sub tensiune și componentele metalice neizolate ale mașinii și ar putea conduce la electrocutarea operatorului.
11. **Nu așezați niciodată scula electrică înainte de oprirea completă a accesoriului.** Accesoriul aflat în rotație ar putea apuca suprafața și trage de mașina electrică fără a o putea controla.
12. **Nu lăsați scula electrică în funcțiune în timp ce o transportați lângă corpul dumneavoastră.** Contactul accidental cu accesoriul aflat în rotație vă poate agăța îmbrăcămintea, trăgând accesoriul spre corpul dumneavoastră.
13. **Curățați în mod regulat fantele de ventilație ale sculei electrice.** Ventilatorul motorului va aspira praful în interiorul carcasei, iar acumulările excesive de pulberi metalice pot prezenta pericol de electrocutare.
14. **Nu folosiți scula electrică în apropierea materialelor inflamabile.** Scânteile pot aprinde aceste materiale.
15. **Nu folosiți accesorii care necesită agenți de răcire lichizi.** Folosirea apei sau a lichidelor de răcire poate cauza electrocutări sau șocuri de tensiune.

#### **Recul și avertismente asociate**

Recul este o reacție bruscă la înțepenirea sau agățarea unui disc, unui taler suport, unei perii sau unui alt accesoriu aflat în rotație. Înțepenirea sau agățarea provoacă o oprire bruscă a accesoriului aflat în rotație, ceea ce forțează mașina scăpată de sub control în direcția opusă celei de rotație a accesoriului în punctul de contact.

De exemplu, dacă o roată abrazivă se înțepenește sau se agăță în piesa de prelucrat, muchia discului care pătrunde în punctul de blocare poate săpa în suprafața materialului cauzând urcarea sau proiectarea înapoi a discului. Discul poate sări către utilizator sau în partea opusă acestuia, în funcție de direcția de mișcare a discului în punctul de blocare. De asemenea, roțile abrazive se pot rupe în aceste condiții.

Recul este rezultatul utilizării incorecte a sculei electrice și/sau al procedeeilor sau condițiilor de lucru necorespunzătoare, putând fi evitat prin adoptarea unor măsuri de precauție adecvate prezentate în continuare.

1. **Mențineți o priză fermă pe scula electrică și poziționați-vă corpul și brațele astfel încât să contracarați forțele de recul.** Folosiți întotdeauna mânerul auxiliar, dacă există, pentru a contracara în mod optim reculurile sau momentul de torsiune reactiv din faza de pornire. Utilizatorul poate contracara momentele de torsiune reactive sau forțele de recul, dacă își ia măsuri de precauție adecvate.
2. **Nu vă poziționați niciodată mâna în apropierea accesoriului aflat în rotație.** Accesoriul poate recula peste mâna dumneavoastră.

3. **Nu vă poziționați corpul în zona în care se va deplasa mașina electrică în cazul unui recul.** Reculul va împinge unealta în direcția opusă rotației discului în punctul de agățare.
4. **Procedați cu deosebită atenție atunci când prelucrați colțuri, muchii ascuțite etc. Evitați agățările și salturile accesoriului.** Colțurile, muchiile ascuțite sau salturile au tendința de a agăța accesoriul aflat în rotație și conduc la pierderea controlului sau apariția reculurilor.
5. **Nu atășați o pânză de ferăstrău cu lanț pentru scobirea lemnului sau o lamă de ferăstrău dințată.** Astfel de pânze pot crea reculuri frecvente și pierdere a controlului.

#### **Avertismente privind siguranța comune operațiunilor de polizare și tăiere abrazivă:**

1. **Utilizați numai tipurile de discuri care sunt recomandate pentru scula dumneavoastră electrică și apărătorile specifice proiectate pentru discul selectat.** Discurile pentru care scula electrică nu a fost proiectată nu pot fi protejate adecvat și sunt nesigure.
2. **Suprafața de polizare a discurilor apăsată în centru trebuie să fie montată sub planul marginii apărătorii.** Un disc montat necorespunzător care iese prin planul marginii apărătoarei nu poate fi protejat în mod adecvat.
3. **Apărătoarea trebuie atașată ferm la scula electrică și poziționată pentru siguranță maximă, astfel cea mai mică porțiune a discului este expusă în direcția operatorului.** Apărătoarea ajută la protejarea operatorului de fragmentele discului spart, de contactul accidental cu discul și de scânteile care ar putea aprinde îmbrăcămintea.
4. **Discurile trebuie utilizate numai pentru aplicațiile recomandate. De exemplu: nu șlefuiți cu părțile laterale ale discului abraziv de retezat.** Discurile abrazive de retezat sunt create pentru șlefuire periferică, iar forțele aplicate pe părțile laterale ale discurilor pot cauza spargerea acestora.
5. **Folosiți întotdeauna flanșe de disc intacte, cu dimensiuni și formă adecvate pentru discul folosit.** Flanșele de disc adecvate susțin discul reducând astfel posibilitatea de rupere a acestuia. Flanșele pentru discurile abrazive de retezat pot fi diferite de flanșele discului pentru polizare.
6. **Nu folosiți discuri parțial uzate de la mașini electrice mai mari.** Discurile destinate unei scule electrice mai mari nu sunt adecvate pentru viteze mai mare a unei mașini mici și se pot sparge.

#### **Avertismente suplimentare specifice privind siguranța operațiunilor de rețezare abrazivă:**

1. **Nu „blocați” discul abraziv de retezat și nici nu aplicați o presiune excesivă. Nu încercați să executați o adâncime excesivă a tăieturii.** Supratensionarea discului mărește sarcina și susceptibilitatea de a torsiona sau a de a înțepeni discul în tăietură și posibilitatea de recul sau de spargere a discului.
2. **Nu vă poziționați corpul pe aceeași linie și în spatele discului aflat în rotație.** Atunci când discul, la punctul de operare, se mișcă departe de corpul dumneavoastră, reculul posibil poate împinge discul care se învârtă și scula electrică direct spre dumneavoastră.

3. **Atunci când discul este înțepenit sau când este întreruptă o tăiere din orice motiv, opriți scula electrică și țineți-o nemișcată până când discul se oprește complet. Nu încercați niciodată să scoateți discul abraziv de retezat din tăietură în timp ce discul este în mișcare; în caz contrar, poate apărea reculul. Investigați și efectuați acțiunile corective pentru a elimina cauza înțepenirii discului.**
4. **Nu reporniți operația de tăiere în piesa de prelucrat. Lăsați discul să ajungă la viteza maximă și pătrundeți din nou cu atenție în tăietură.** Roata se poate înțepeni, se poate deplasa în sus sau poate provoca un recul dacă mașina electrică este repornită în piesa de lucru.
5. **Sprîjiniți panourile sau orice piesă de prelucrat de dimensiuni mari pentru a minimiza riscul de înțepenire și recul al discului.** Piese de prelucrat mari tind să se încovoie sub propria greutate. Sub piesa de prelucrat trebuie amplasate suporturi lângă linia de tăiere și lângă marginea piesei de prelucrat, pe ambele părți ale discului.
6. **Acordați o atenție sporită atunci când executați o „decupare prin plonjare” în pereții existenți sau în alte zone mascate.** Discul poate tăia conducte de gaz sau de apă, cabluri electrice sau obiecte care pot provoca un recul.
5. **Înainte de utilizarea mașinii pe piesa proprie-zisă, lăsați-o să funcționeze în gol pentru un timp. Încercați să identificați orice vibrație sau oscilație care ar putea indica o instalare necorespunzătoare sau un disc neechilibrat.**
6. **Folosiți fața specificată a discului pentru a executa polizarea.**
7. **Nu lăsați mașina în funcțiune. Folosiți mașina numai când o țineți cu mâinile.**
8. **Nu atingeți piesa prelucrată imediat după executarea lucrării; aceasta poate fi extrem de fierbinte și poate provoca arsuri ale pielii.**
9. **Nu atingeți accesoriile imediat după executarea lucrării; acestea pot fi extrem de fierbinți și pot provoca arsuri ale pielii.**
10. **Respectați instrucțiunile producătorului cu privire la montarea și utilizarea corectă a discurilor. Manipulați și depozitați cu atenție discurile.**
11. **Nu folosiți reduții cu mufă sau adaptoare separate pentru a adapta roțile abrazive cu gaură mare.**
12. **Folosiți numai flanșele specificate pentru această mașină.**
13. **Pentru mașinile destinate a fi echipate cu disc cu gaură filetată, asigurați-vă că filetul discului este suficient de lung pentru lungimea arborelui.**
14. **Verificați ca piesa de prelucrat să fie sprijinită corect.**
15. **Rețineți că discul continuă să se rotească după oprirea mașinii.**
16. **Dacă locul de muncă este extrem de calduros și umed, sau foarte poluat cu pulbere conductoare, folosiți un întrerupător de scurt-circuitare (30 mA) pentru a asigura protecția utilizatorului.**
17. **Nu folosiți mașina pe materiale care conțin azbest.**
18. **Când folosiți discuri abrazive de retezat, lucrați întotdeauna cu apărătoarea colectoare de praf a discului, impusă de reglementările naționale.**
19. **Discurile de retezat nu trebuie supuse niciunei presiuni laterale.**
20. **Nu purtați mănuși de lucru din pânză în timpul operației. Fibrele din mănușile de pânză pot intra în mașină, ducând la blocarea mașinii.**
21. **Asigurați-vă că nu există cabluri electrice, conducte de apă, conducte de gaz etc., care ar putea provoca un pericol în cazul în care ar fi deteriorate prin folosirea mașinii.**

#### **Avertismente specifice privind siguranța operațiunilor de șlefuire:**

1. **Nu utilizați hârtie de șlefuit supradimensionată excesiv pentru discul de șlefuire. Respectați recomandările producătorilor, atunci când selectați hârtia de șlefuit.** Hârtia de șlefuit prea mare extinsă în afara plăcii de șlefuire prezintă pericol de sfâșiere și poate cauza înțepenirea, sfâșierea discului sau reculul.

#### **Avertismente specifice privind siguranța operațiunilor de periere:**

1. **Țineți cont de faptul că firele de sârmă sunt aruncate de perie chiar și în timpul unei operațiuni obișnuite. Nu supratensionați firele prin aplicarea unei sarcini excesive periei. Firele de sârmă pot penetra ușor îmbrăcămintea subțire și/sau pielea.**
2. **Dacă se recomandă utilizarea unei protecții pentru periere, nu permiteți nicio interferență a discului sau periei din sârmă cu protecția. Discul sau peria din sârmă își pot mări diametrul din cauza sarcinilor de lucru și a forțelor centrifugale.**

#### **Avertismente suplimentare privind siguranța:**

1. **Atunci când folosiți discuri cu centru adâncit, asigurați-vă că folosiți numai discuri armate cu fibră de sticlă.**
2. **NU UTILIZAȚI NICIODATĂ discuri abrazive în formă de oală cu acest polizor. Acest polizor nu este conceput pentru aceste tipuri de discuri, iar utilizarea unui astfel de produs poate duce la accidentări grave.**
3. **Fiți atenți să nu deteriorați arborele, flanșa (în special suprafața de montaj) sau contrapiulița. Deteriorarea acestor piese poate conduce la ruperea discului.**
4. **Asigurați-vă că discul nu intră în contact cu piesa de prelucrat înainte de a apăsa comutatorul.**

## **PĂSTRAȚI ACESTE INSTRUȚIUNI.**

**⚠️ AVERTIZARE:** NU permiteți comodității și familiarizării cu produsul (obținute prin utilizare repetată) să înlocuiască respectarea strictă a normelor de securitate pentru acest produs. **FOLOSIREA INCORECTĂ** sau nerespectarea normelor de securitate din acest manual de instrucțiuni poate provoca vătămări corporale grave.

## Instrucțiuni importante privind siguranța pentru cartușul acumulatorului

1. Înainte de a folosi cartușul acumulatorului, citiți toate instrucțiunile și atenționările de pe (1) încărcătorul acumulatorului, (2) acumulator și (3) produsul care folosește acumulatorul.
2. Nu dezamblați și nu interveniți asupra cartușului acumulatorului. Acest lucru poate cauza incendii, căldură excesivă sau explozii.
3. Dacă timpul de funcționare s-a redus excesiv, întrerupeți imediat funcționarea. Aceasta poate prezenta risc de supraîncălzire, posibile arsuri și chiar explozie.
4. Dacă electrolitul pătrunde în ochi, clătiți bine ochii cu apă curată și consultați imediat un medic. Există risc de orbire.
5. Nu scurtcircuitați cartușul acumulatorului:
  - (1) Nu atingeți bornele cu niciun material conductor.
  - (2) Evitați depozitarea cartușului acumulatorului la un loc cu alte obiecte metalice cum ar fi cuie, monede etc.
  - (3) Nu expuneți cartușul acumulatorului la apă sau ploaie.

Un scurtcircuit al acumulatorului poate provoca un flux puternic de curent electric, supraîncălzire, posibile arsuri și chiar defectarea mașinii.

6. Nu depozitați și nu utilizați mașina și cartușul acumulatorului în locuri în care temperatura poate atinge sau depăși 50 °C (122 °F).
7. Nu incinerati cartușul acumulatorului chiar dacă acesta este grav deteriorat sau complet uzat. Cartușul acumulatorului poate exploda în foc.
8. Nu introduceți cuie în cartușul acumulatorului, nu îl tăiați, striviți, aruncați sau scăpați și nu îl loviți cu un obiect dur. Astfel de acțiuni pot provoca incendii, căldură excesivă sau explozii.
9. Nu utilizați un acumulator deteriorat.
10. Acumulatorii Li-Ion încorporați se supun cerințelor Legislației privind substanțele periculoase.

Pentru transporturi comerciale, efectuate de exemplu de către părți terțe, expeditori, trebuie respectate cerințele speciale de ambalare și etichetare.

Pentru pregătirea articolului care urmează să fie expediat, este necesară consultarea unui expert în materiale periculoase. Vă rugăm să respectați, de asemenea, reglementările naționale, care pot fi mai detaliate.

Izolați sau acoperiți contactele deschise și împachetați acumulatorul în așa fel încât să nu se poată mișca în ambalaj.
11. Atunci când eliminați la deșeuri cartușul acumulatorului, scoateți-l din mașină și eliminați-l într-un loc sigur. Respectați normele naționale privind eliminarea la deșeuri a acumulatorului.

12. Utilizați acumuloarele numai cu produsele specificate de Makita. Instalarea acumulatorilor în produse neconforme poate cauza incendii, căldură excesivă, explozii sau scurgeri de electrolit.
13. Dacă mașina nu este utilizată o perioadă lungă de timp, acumulatorul trebuie scos din acesta.
14. În timpul utilizării și după aceea, cartușul acumulatorului se poate încălzi, ceea ce poate cauza arsuri sau arsuri la temperaturi scăzute. Fiți atenți la manipularea cartușelor de acumulator atunci când sunt fierbinți.
15. Nu atingeți borna mașinii imediat după utilizare, întrucât se poate încălzi foarte tare și poate provoca arsuri.
16. Nu lăsați să pătrundă așchii, praf sau pământ în borne, în orificii și în canelurile cartușului acumulatorului. Acest lucru poate duce la o performanță slabă sau poate cauza defectarea mașinii sau a cartușului acumulatorului.
17. Nu utilizați cartușul acumulatorului în apropierea liniilor electrice de înaltă tensiune, cu excepția cazului în care mașina suportă utilizarea în apropierea liniilor electrice de înaltă tensiune. Acest lucru poate duce la funcționarea necorespunzătoare sau la defectarea mașinii sau a cartușului acumulatorului.
18. Țineți acumulatorul la distanță de copii.

## PĂSTRAȚI ACESTE INSTRUCȚIUNI.

**⚠ATENȚIE:** Folosiți numai acumulatori Makita originali. Acumulatorii Makita care nu sunt originali și acumulatorii care au suferit modificări se pot aprinde, provocând incendii, leziuni corporale și daune. De asemenea, anulează garanția oferită de Makita pentru unealta și încărcătorul Makita.

## Sfaturi pentru obținerea unei durate maxime de exploatare a acumulatorului

1. Încărcați cartușul acumulatorului înainte de a se descărca complet. Întrerupeți întotdeauna funcționarea mașinii și încărcați cartușul acumulatorului când observați o scădere a puterii mașinii.
2. Nu reîncărcați niciodată un acumulator complet încărcat. Supraîncărcarea va scurta durata de exploatare a acumulatorului.
3. Încărcați cartușul acumulatorului la temperatura camerei, între 10 °C - 40 °C (50 °F - 104 °F). Lăsați un acumulator fierbinte să se răcească înainte de a-l încărca.
4. Atunci când nu utilizați cartușul acumulatorului, scoateți-l din mașină sau din încărcător.
5. Încărcați cartușul acumulatorului în cazul în care nu a fost utilizat pe o perioadă mai lungă (mai mult de șase luni).

# DESCRIEREA FUNCȚIILOR

**ATENȚIE:** Asigurați-vă întotdeauna că mașina este oprită și cartușul acumulatorului este scos înainte de a ajusta sau verifica funcționarea mașinii.

## Instalarea sau scoaterea cartușului acumulatorului

**ATENȚIE:** Opriti întotdeauna mașina înainte de montarea sau demontarea cartușului de acumulator.

**ATENȚIE:** Țineți ferm mașina și cartușul acumulatorului la montarea sau demontarea cartușului. În cazul în care nu țineți ferm mașina și cartușul de acumulator, acestea vă pot aluneca din mâini, rezultând defectarea mașinii și cartușului de acumulator, precum și în accidentări personale.

► **Fig.1:** 1. Indicator roșu 2. Buton 3. Cartușul acumulatorului

Pentru a scoate cartușul acumulatorului, glisați-l din mașină în timp ce glisați butonul de pe partea frontală a cartușului.

Pentru a instala cartușul acumulatorului, aliniați limba de pe cartușul acumulatorului cu canelura din carcasă și introduceți-l în locaș. Introduceți-l complet, până când se înclichează în locaș. Dacă puteți vedea indicatorul roșu din partea superioară a butonului, acesta nu este blocat complet.

**ATENȚIE:** Instalați întotdeauna cartușul acumulatorului complet, până când indicatorul roșu nu mai este vizibil. În caz contrar, acesta poate cădea accidental din mașină provocând rănirea dumneavoastră sau a persoanelor din jur.

**ATENȚIE:** Nu forțați cartușul acumulatorului la montare. Dacă acesta nu glisează ușor, înseamnă că a fost introdus incorect.

## Indicarea capacității rămase a acumulatorului

Apăsăți butonul de verificare de pe cartușul acumulatorului, astfel încât să se indice capacitățile rămase ale acumulatorului. Lămpile indicatorului vor lumina timp de câteva secunde.

► **Fig.2:** 1. Lămpi indicatoare 2. Buton de verificare

Lămpi indicatoare			Capacitate rămasă
Iluminat	Oprit	Iluminare intermitentă	
■ ■ ■ ■	□ □ □ □	▧	între 75% și 100%
■ ■ ■ □	□ □ □ □	▧	între 50% și 75%
■ ■ □ □	□ □ □ □	▧	între 25% și 50%
■ □ □ □	□ □ □ □	▧	între 0% și 25%
▧ □ □ □	□ □ □ □	▧	Încărcați acumulatorul.
■ ■ □ □ ↑ ↓ □ □ ■ ■	□ □ □ □	▧	Este posibil ca acumulatorul să fie defect.

**NOTĂ:** În funcție de condițiile de utilizare și temperatura ambientală, indicația poate fi ușor diferită de capacitatea reală.

**NOTĂ:** Prima lampă indicatoare (extremitatea stângă) va lumina intermitent când sistemul de protecție a acumulatorului funcționează.

## Sistem de protecție mașină/acumulator

Mașina este prevăzută cu un sistem de protecție mașină/acumulator. Acest sistem întrerupe automat alimentarea motorului pentru a extinde durata de funcționare a mașinii și acumulatorului. Mașina se va opri automat în timpul funcționării dacă mașina sau acumulatorul se află într-una din situațiile următoare:

### Protecție la suprasarcină

Când mașina/acumulatorul este utilizat într-un mod care duce la un consum exagerat de curent, mașina se va opri automat, fără nicio indicație. În această situație, opriți mașina și întrerupeți aplicația care a dus la supra-solicitarea mașinii. Apoi, reporniți mașina.

### Protecție la supraîncălzire

Când mașina/acumulatorul se supraîncălzeste, mașina se oprește automat. Lăsați mașina să se răcească înainte de a o reporni.

### Protecție la supradescărcare

Când capacitatea acumulatorului scade, unealta se oprește automat. În acest caz, scoateți acumulatorul din mașină și încărcați-l.

## Eliberare blocaj de protecție

Atunci când sistemul de protecție funcționează repetat, mașina se blochează.

În această situație, mașina nu pornește, chiar dacă este oprită și repornită. Pentru a elibera blocajul de protecție, scoateți acumulatorul, poziționați-l pe încărcătorul de acumulator și așteptați finalizarea încărcării.

## Pârghie de blocare a axului

Apăsăți pârghia de blocare a axului pentru a preveni rotirea arborelui atunci când montați sau demontați accesorii.

► **Fig.3:** 1. Pârghie de blocare a axului

**NOTĂ:** Nu acționați niciodată pârghia de blocare a axului în timpul mișcării arborelui. Mașina poate fi avariată.

## Acționarea întrerupătorului

**⚠️ATENȚIE:** Înainte de a monta cartușul acumulatorului în unealtă, verificați întotdeauna dacă pârghia de comutare funcționează corect și dacă revine în poziția „OFF” (oprit) atunci când este eliberată.

**⚠️ATENȚIE:** Pentru siguranța dumneavoastră, această mașină este echipată cu o pârghie de deblocare care previne pornirea neintenționată a mașinii. Nu utilizați NICIODATĂ mașina dacă aceasta pornește la simpla tragere a pârghiei de comutare, fără să trageți pârghia de deblocare. Returnați mașina la un centru de service autorizat pentru efectuarea reparațiilor corespunzătoare ÎNAINTE de a continua utilizarea acesteia.

**⚠️ATENȚIE:** Nu trageți puternic pârghia de comutare fără a trage pârghia de deblocare. Butonul se poate rupe.

**⚠️ATENȚIE:** Nu blocați NICIODATĂ pârghia de deblocare cu bandă adezivă și nu dezactivați NICIODATĂ scopul sau funcția acesteia.

► Fig.4: 1. Pârghie de deblocare 2. Pârghie de comutare

Pentru a preveni acționarea accidentală a pârghiei de comutare, este prevăzută o pârghie de blocare.

Pentru a porni mașina, trageți pârghia de blocare către dumneavoastră și apoi trageți pârghia de comutare. Pentru a opri mașina, eliberați pârghia de comutare.

## Funcție de prevenire a repornirii accidentale

Atunci când montați cartușul acumulatorului în timp ce trageți pârghia de comutare, mașina nu pornește. Pentru a porni mașina, eliberați mai întâi pârghia de comutare. Apoi trageți pârghia de blocare, iar apoi trageți pârghia de comutare.

## Funcție de control pentru cuplul electronic

Mașina detectează electronic situații în care roata sau accesoriul pot prezenta risc de prindere. În această situație, mașina se închide automat pentru a împiedica rotirea suplimentară a arborelui (aceasta nu împiedică returul).

Pentru a reporni mașina, mai întâi opriți-o, eliminați cauza scăderii bruște a vitezei de rotație și apoi porniți-o.

## Funcție de pornire lentă

Funcția de pornire lentă atenuează șocul de pornire.

## ASAMBLARE

**⚠️ATENȚIE:** Asigurați-vă întotdeauna că mașina este oprită și cartușul acumulatorului este scos înainte de a ajusta sau verifica funcționarea mașinii.

## Instalarea mânerului lateral (mâner)

**⚠️ATENȚIE:** Asigurați-vă că mânerul lateral este bine fixat înainte de a pune mașina în funcțiune.

Înșurubați ferm mânerul lateral la mașină în poziția prezentată în figură.

► Fig.5

## Montarea sau demontarea apărătorii discului

**⚠️AVERTIZARE:** Atunci când utilizați un disc cu centru depresat, un disc lamelar, un disc flexibil sau o perie de disc din sârmă, apărătoarea discului trebuie montată pe mașină astfel încât partea închisă a apărătorii să fie întotdeauna orientată către operator.

**⚠️AVERTIZARE:** Asigurați-vă că apărătoarea discului este fixată bine cu pârghia de blocare într-unul dintre orificiile apărătorii.

**⚠️AVERTIZARE:** Atunci când utilizați un disc abraziv pentru rețezat/disc de diamant, asigurați-vă că utilizați doar apărătoarele pentru disc proiectate special pentru a fi utilizate împreună cu discuri abrazive de rețezat.

(În unele țări europene, la utilizarea unui disc de diamant, poate fi utilizată o apărătoare obișnuită. Respectați reglementările din țara dumneavoastră.)

## Pentru disc cu centru depresat, disc lamelar, disc flexibil, perie de disc din sârmă/disc abraziv de rețezat, disc de diamant

1. În timp ce apăsați pârghia de blocare, montați apărătoarea discului cu proeminențele de pe apărătoarea discului aliniate cu fantele de pe lagăr.

► Fig.6: 1. Pârghie de blocare 2. Fantă 3. Proeminență

2. În timp ce împingeți pârghia de blocare în direcția A, împingeți în interior apărătoarea discului ținând apăsată în jos porțiunile B, astfel cum se arată în figură.

► Fig.7: 1. Apărătoarea discului 2. Orificiu

**NOTĂ:** Împingeți apărătoarea discului în jos, în poziție dreaptă. În caz contrar, nu veți putea împinge complet apărătoarea discului.

3. În timp ce țineți pârghia de blocare și apărătoarea discului în poziție, astfel cum este descris la pasul 2, rotiți apărătoarea discului în direcția C și apoi schimbați unghiul apărătorii discului în funcție de lucrare, astfel încât operatorul să fie protejat. Aliniați pârghia de blocare cu unul dintre orificiile de pe apărătoarea discului și apoi eliberați pârghia de blocare pentru a bloca apărătoarea discului.

► **Fig.8:** 1. Apărătoarea discului 2. Orificiu

**NOTĂ:** Împingeți complet apărătoarea discului. În caz contrar, nu veți putea roti apărătoarea discului.

Pentru a scoate apărătoarea discului, executați în ordine inversă operațiile de instalare.

## Montarea sau demontarea discului cu centru depresat sau discului lamelar

### Accesorii opționale

**⚠️AVERTIZARE:** Atunci când utilizați un disc cu centru depresat sau un disc lamelar, apărătoarea discului trebuie montată pe mașină astfel încât partea închisă a apărătorii să fie întotdeauna orientată către operator.

**⚠️ATENȚIE:** Asigurați-vă că piesa de montare a flanșei interioare se potrivește perfect în diametrul interior al discului cu centru depresat/discului lamelar. Montarea flanșei interioare pe partea incorrectă poate duce la vibrații periculoase.

Montați flanșa interioară pe arbore. Asigurați-vă că fixați partea crestată a flanșei interioare pe partea dreaptă de la baza arborelui.

Instalați discul cu centru depresat/discul lamelar pe flanșa interioară și înșurubați contrapiulița pe arbore.

► **Fig.9:** 1. Contrapiuliță 2. Disc cu centru depresat 3. Flanșă interioară 4. Piesă de montare

Pentru a strânge contrapiulița, apăsați puternic pârghia de blocare a axului astfel încât arborele să nu se poată roti, apoi folosiți cheia pentru contrapiuliță și strângeți ferm în sens orar.

► **Fig.10:** 1. Cheie pentru contrapiuliță 2. Pârghie de blocare a axului

Pentru a demonta discul, executați în ordine inversă operațiile de montare.

## Montarea sau demontarea discului flexibil

### Accesorii opționale

**⚠️AVERTIZARE:** Utilizați întotdeauna apărătoarea furnizată când discul flexibil este montat pe mașină. Discul se poate sparge în timpul utilizării, iar apărătoarea ajută la reducerea riscului de vătămare.

► **Fig.11:** 1. Contrapiuliță 2. Disc flexibil 3. Taler suport 4. Flanșă interioară

Urmați instrucțiunile pentru discul cu centru depresat, dar utilizați, de asemenea, un taler de plastic peste disc. Consultați ordinea de asamblare la pagina cu accesorii din acest manual.

## Montarea sau demontarea discului abraziv

### Accesorii opționale

► **Fig.12:** 1. Contrapiuliță de presare 2. Disc abraziv 3. Taler de cauciuc

1. Montați talerul de cauciuc pe arbore.
2. Instalați discul pe talerul de cauciuc și înșurubați contrapiulița de presare pe arbore.
3. Fixați arborele cu pârghia de blocare a axului și strângeți fix contrapiulița de presare cu cheia pentru contrapiuliță.

Pentru a demonta discul, executați în ordine inversă operațiile de instalare.

**NOTĂ:** Folosiți accesoriile pentru polizor specificate în acest manual. Acestea trebuie achiziționate separat.

## Instalarea sau scoaterea Ezynut

### Accesorii opționale

**⚠️ATENȚIE:** Nu utilizați Ezynut cu supra flanșă sau polizorul unghiular cu litera "F" la finalul numărului de model. Aceste flanșe sunt mult prea groase, iar arborele nu poate reține întregul filet.

► **Fig.13:** 1. Ezynut 2. Disc abraziv 3. Flanșă interioară 4. Arbore

Montați flanșa interioară, discul abraziv și Ezynut pe ax, astfel încât logo-ul Makita de pe Ezynut să fie orientat spre exterior.

► **Fig.14:** 1. Pârghie de blocare a axului

Apăsați ferm știftul de blocare și strângeți Ezynut rotind la maximum discul abraziv în sens orar.

Rotiți inelul exterior al Ezynut în sens invers acelor de ceasornic, pentru slăbire.

► **Fig.15:** 1. Săgeată 2. Crestătură

► **Fig.16**

**NOTĂ:** Ezynut poate fi slăbit și manual atâta timp cât săgeata este orientată spre fantă. În caz contrar, este necesară o cheie de contrapiuliță pentru slăbirea acestuia. Introduceți un știft al cheii în orificiu și rotiți Ezynut în sens invers acelor de ceasornic.

## Montarea discului abraziv de retezat/discului diamantat

### Accesorii opționale

**⚠️AVERTIZARE:** Atunci când utilizați un disc abraziv pentru retezat/disc de diamant, asigurați-vă că utilizați doar apărătoarele pentru disc proiectate special pentru a fi utilizate împreună cu discuri abrazive de retezat.

(În unele țări europene, la utilizarea unui disc de diamant, poate fi utilizată o apărătoare obișnuită. Respectați regulamentele din țara dumneavoastră.)

**⚠️AVERTIZARE:** NU utilizați niciodată discul abraziv de retezat la polizarea laterală.

- **Fig.17:** 1. Contriapiuliță 2. Disc abraziv de retezat / disc de diamant 3. Flanșă interioară 4. Apărătoare pentru disc abraziv de retezat/disc de diamant

Pentru montare, urmați instrucțiunile pentru discul cu centru depresat.

**Dirrecția de montare a contrapiuliței și a flanșei interioare variază în funcție de tipul și de grosimea discului.**

Consultați figurile următoare.

**La instalarea discului abraziv de retezat:**

- **Fig.18:** 1. Contriapiuliță 2. Disc abraziv de retezat (mai subțire 4 mm (5/32")) 3. Disc abraziv de retezat (4 mm (5/32")) sau mai gros 4. Flanșă interioară

**La instalarea discului diamantat:**

- **Fig.19:** 1. Contriapiuliță 2. Disc diamantat (mai subțire 4 mm (5/32")) 3. Disc diamantat (4 mm (5/32")) sau mai subțire 4. Flanșă interioară

## Montarea periei oală de sârmă

*Accesorii opționale*

**⚠ATENȚIE:** Nu utilizați o perie care este deteriorată sau neechilibrată. Utilizarea unei perii deteriorate poate crește potențialul de accidentare prin contact cu sârmele periei deteriorate.

- **Fig.20:** 1. Perie oală de sârmă

Scoateți cartușul de acumulator din mașină și amplasați-l în poziție răsturnată, pentru a permite accesul ușor la arbore.

Îndepărtați orice accesorii de pe arbore. Înfășurați peria oală de sârmă pe arbore și strângeți cu cheia furnizată.

## Montarea periei de disc din sârmă

*Accesorii opționale*

**⚠ATENȚIE:** Nu utilizați o perie de disc din sârmă care este deteriorată sau neechilibrată.

Utilizarea unei perii de disc din sârmă deteriorate poate mări pericoul de accidentare prin contact cu sârmele deteriorate.

**⚠ATENȚIE:** Protejați-vă ÎNTOTDEAUNA față de periele de disc din sârmă, asigurându-vă că diametrul discului se încadrează în interiorul apărătorii. Discul se poate sparge în timpul utilizării, iar apărătoarea ajută la reducerea riscului de vătămare.

- **Fig.21:** 1. Perie de disc din sârmă

Scoateți cartușul de acumulator din mașină și amplasați-l în poziție răsturnată, pentru a permite accesul ușor la arbore.

Îndepărtați orice accesorii de pe arbore. Înfășurați peria de disc din sârmă pe arbore și strângeți cu cheia furnizată.

# OPERAREA

**⚠AVERTIZARE:** Nu este niciodată necesară forțarea mașinii. Greutatea mașinii exercită o presiune adecvată. Forțarea și exercitarea unei presiuni excesive pot provoca ruperea periculoasă a discului.

**⚠AVERTIZARE:** Înlocuiți ÎNTOTDEAUNA discul dacă scăpați mașina pe jos în timpul rectificării.

**⚠AVERTIZARE:** Nu loviți NICIODATĂ discul abraziv de piesa prelucrată.

**⚠AVERTIZARE:** Evitați izbiturile și salturile discului, în special când prelucrați colțuri, muchii ascuțite etc. Acestea pot provoca pierderea controlului și reculuri.

**⚠AVERTIZARE:** Nu folosiți NICIODATĂ mașina cu discuri de tăiat lemne sau alte discuri de ferăstrău. Astfel de discuri folosite cu polizorul pot sări, ducând la pierderea controlului mașinii și la accidente.

**⚠ATENȚIE:** Nu porniți niciodată mașina atunci când aceasta se află în contact cu piesa de prelucrat, deoarece poate vătăma operatorul.

**⚠ATENȚIE:** Purtați întotdeauna ochelari de protecție și o mască de protecție în timpul lucrului.

**⚠ATENȚIE:** După terminarea operației, opriți întotdeauna mașina și așteptați ca discul să se oprească complet înainte de a așeza mașina.

**⚠ATENȚIE:** Țineți ÎNTOTDEAUNA mașina ferm cu o mână pe carcasă și cu cealaltă pe mânerul lateral (mâner).

## Operația de rectificare și șlefuire

- **Fig.22**

Porniți mașina și apoi aplicați discul pe piesa de prelucrat.

În principiu, mențineți muchia discului la un unghi de circa 15° față de suprafața piesei de prelucrat.

Pe durata perioadei de rodaj a unui disc nou, nu prelucrați cu polizorul pe direcția înainte deoarece aceasta va tăia în piesa de prelucrat. După ce marginea discului a fost rotunjită prin utilizare, discul poate fi utilizat atât în direcția înainte, cât și în direcția înapoi.



## Operarea cu disc de retezare abraziv/disc de diamant

### Accesorii opționale

**⚠️ AVERTIZARE:** Nu „înțepeniți” discul și nici nu aplicați o presiune excesivă. Nu încercați să executați o adâncime excesivă a tăieturii. Supratensionarea discului mărește sarcina și susceptibilitatea de a torsiona sau a de a înțepeni discul în tăietură și posibilitatea de recul, spargerea discului și supraîncălzirea motorului.

**⚠️ AVERTIZARE:** Nu porniți operația de retezare în piesa de prelucrat. Lăsați discul să ajungă la viteza maximă și pătrundeți cu atenție în tăietură prin mutarea sculei spre înainte pe suprafața piesei de prelucrat. Discul se poate înțepeni, se poate deplasa în sus sau poate provoca un recul dacă mașina electrică este repornită în piesa de lucru.

**⚠️ AVERTIZARE:** În timpul operațiilor de retezare, nu schimbați niciodată unghiul discului. Aplicarea unei presiuni laterale asupra discului abraziv de retezat (ca la polizare) va cauza fisurarea și spargerea discului, producând leziuni grave.

**⚠️ AVERTIZARE:** Discul de diamant va fi operat perpendicular pe materialul de tăiat.

Exemplu de utilizare: utilizare cu discul abraziv de retezat  
▶ Fig.23

Exemplu de utilizare: utilizare cu discul diamantat  
▶ Fig.24

## Utilizarea cu peria oală de sârmă

### Accesorii opționale

**⚠️ ATENȚIE:** Verificați operarea periei prin rotirea uneltei fără sarcină, asigurându-vă că nu se află nimeni în fața sau în linie cu peria.

**NOTĂ:** Evitați să aplicați o presiune prea mare care ar putea cauza îndoirea firelor la utilizarea periei oală de sârmă. Aceasta poate duce la o rupere timpurie.

Exemplu de utilizare: utilizare cu peria oală de sârmă  
▶ Fig.25

## Utilizarea cu peria de disc din sârmă

### Accesorii opționale

**⚠️ ATENȚIE:** Verificați operarea periei de disc din sârmă prin rotirea uneltei fără sarcină, asigurându-vă că nu se află nimeni în fața sau în linie cu peria de disc din sârmă.

**NOTĂ:** Evitați să aplicați o presiune prea mare care ar putea cauza îndoirea firelor la utilizarea periei de disc din sârmă. Aceasta poate duce la o rupere timpurie.

Exemplu de utilizare: utilizare cu peria de disc din sârmă  
▶ Fig.26

## ÎNȚREȚINERE

**⚠️ ATENȚIE:** Asigurați-vă întotdeauna că mașina este oprită și cartușul acumulatorului scos înainte de a executa lucrările de inspecție și întreținere.

**NOTĂ:** Nu utilizați niciodată gazolină, benzină, diluant, alcool sau alte substanțe asemănătoare. În caz contrar, pot rezulta decolorări, deformări sau fisuri.

Pentru a menține siguranța și fiabilitatea mașinii, reparațiile și reglajele trebuie să fie efectuate numai la Centrele de service autorizat Makita, folosindu-se piese de schimb Makita.

## Curățarea fanțelor de ventilație

Mașina și fanțele sale de ventilație trebuie păstrate curate. Curățați fanțele de ventilație ale mașinii în mod regulat sau ori de câte ori devin îmbăcșite.

▶ Fig.27: 1. Fantă de evacuare 2. Fantă de aspirație  
Scoateți capacul de protecție contra prafului din orificiul de aspirare și curățați-l pentru a obține o mai bună circulație a aerului.

▶ Fig.28: 1. Capac de protecție contra prafului

**NOTĂ:** Curățați capacul de protecție contra prafului atunci când acesta este ancrasat cu praf sau cu materii străine. Continuarea lucrului cu un capac de protecție contra prafului ancrasat poate conduce la avariarea mașinii.

# ACCESORII OPȚIONALE

**⚠️ ATENȚIE:** Folosiți accesoriile sau piesele auxiliare recomandate pentru mașina dumneavoastră Makita în acest manual. Utilizarea oricăror alte accesorii sau piese auxiliare poate prezenta risc de vătămare corporală. Utilizați accesoriile și piesele auxiliare numai în scopul destinat.

Dacă aveți nevoie de asistență sau de mai multe detalii referitoare la aceste accesorii, adresați-vă centrului local de service Makita.

- Acumulator și încărcător original Makita

► Fig.29

-	Model 150 mm (6")
1	Mâner 36
2	Apărătoarea discului (pentru disc abraziv)
3	Flanșă interioară
4	Disc cu centru depresat/disc lamelar
5	Contrapiuliță
6	Taler suport
7	Disc flexibil
8	Taler de cauciuc 125
9	Disc abraziv
10	Contrapiuliță de presare
11	Perie de disc din sârmă
12	Perie oală de sârmă
13	Apărătoarea discului (pentru discul abraziv de retezat) *1
14	Disc abraziv de retezat / disc de diamant
-	Cheie pentru contrapiuliță

**NOTĂ:** \*1 În unele țări europene, la utilizarea unui disc de diamant, poate fi utilizată o apărătoare obișnuită poate fi utilizată în locul apărătoarei speciale acoperind ambele părți ale discului. Respectați reglementările din țara dumneavoastră.

**NOTĂ:** Unele articole din listă pot fi incluse ca accesorii standard în ambalajul de scule. Acestea pot diferi în funcție de țară.

## ТЕХНІЧНІ ХАРАКТЕРИСТИКИ

<b>Модель:</b>		<b>GA036G</b>
Діаметр круга		150 мм (6")
Макс. товщина круга		6,4 мм
Різьба шпинделя		M14 або 5/8" (залежно від країни)
Номінальна швидкість (n)		8 500 хв <sup>-1</sup>
Загальна довжина	з BL4025	398 мм
	з BL4040	410 мм
Маса нетто		3,1–3,7 кг
Номінальна напруга		від 36 до 40 В пост. струму макс

- Оскільки наша програма наукових досліджень і розробок триває безперервно, наведені тут технічні характеристики можуть бути змінені без попередження.
- У різних країнах технічні характеристики можуть бути різними.
- Вага може відрізнятися залежно від допоміжного обладнання, наприклад касети з акумулятором. Найлегші та найважчі комплекти, відповідно до стандарту ЕРТА (Європейська асоціація виробників електроінструменту) від січня 01/2014 року, представлено в таблиці.

### Застосовна касета з акумулятором і зарядний пристрій

Касета з акумулятором	BL4025 / BL4040
Зарядний пристрій	DC40RA

- Деякі касети з акумулятором і зарядні пристрої, які вказано вище, можуть бути недоступними залежно від вашого регіону або місця перебування.

**⚠ ПОПЕРЕДЖЕННЯ:** Використовуйте лише касети з акумулятором і зарядні пристрої, зазначені вище. Використання будь-яких інших касет з акумулятором і зарядних пристроїв може призвести до травмування й/або пожежі.

### Призначення

Інструмент призначено для шліфування абразивним кругом/диском, шліфування абразивним папером, зачищення металевою щіткою та різання металевих і мінеральних матеріалів без використання води.

### Шум

Рівень шуму за шкалою А в типовому виконанні, визначений відповідно до стандарту EN60745-2-3:  
 Рівень звукового тиску ( $L_{pA}$ ): 82 дБ (А)  
 Рівень звукової потужності ( $L_{WA}$ ): 93 дБ (А)  
 Похибка (К): 3 дБ (А)

**ПРИМІТКА:** Заявлене значення шуму було виміряно відповідно до стандартних методів тестування й може використовуватися для порівняння одного інструмента з іншим.

**ПРИМІТКА:** Заявлене значення шуму може також використовуватися для попереднього оцінювання впливу.

**⚠ ПОПЕРЕДЖЕННЯ:** Користуйтеся засобами захисту органів слуху.

**⚠ ПОПЕРЕДЖЕННЯ:** Залежно від умов використання рівень шуму під час фактичної роботи електроінструмента може відрізнятися від заявленого значення вібрації; особливо сильно на це впливає тип деталі, що оброблюється.

**⚠ ПОПЕРЕДЖЕННЯ:** Забезпечте належні запобіжні заходи для захисту оператора, що відповідають умовам використання інструмента (слід брати до уваги всі складові робочого циклу, як-от час, коли інструмент вимкнено та коли він починає працювати на холостому ході під час запуску).

### Вібрація

Загальна величина вібрації (векторна сума трьох напрямків) визначена згідно з EN60745-2-3:  
 Режим роботи: Шліфування поверхні за допомогою звичайної бокової рукоятки  
 Розповсюдження вібрації ( $a_{h,AG}$ ): 9,0 м/с<sup>2</sup>  
 Похибка (К): 1,5 м/с<sup>2</sup>  
 Режим роботи: Шліфування поверхні за допомогою вібростійкої бокової рукоятки  
 Розповсюдження вібрації ( $a_{h,AG}$ ): 9,0 м/с<sup>2</sup>  
 Похибка (К): 1,5 м/с<sup>2</sup>

Режим роботи: Шліфування диском за допомогою звичайної бокової рукоятки

Вібрація ( $a_{h, DS}$ ): 4,0 м/с<sup>2</sup>

Похибка (K): 1,5 м/с<sup>2</sup>

Режим роботи: Шліфування диском за допомогою вібростійкої бокової рукоятки

Вібрація ( $a_{h, DS}$ ): 3,5 м/с<sup>2</sup>

Похибка (K): 1,5 м/с<sup>2</sup>

**ПРИМІТКА:** Заявлене загальне значення вібрації було виміряно відповідно до стандартних методів тестування й може використовуватися для порівняння одного інструмента з іншим.

**ПРИМІТКА:** Заявлене загальне значення вібрації може також використовуватися для попереднього оцінювання впливу.

**▲ ПОПЕРЕДЖЕННЯ:** Залежно від умов використання вібрація під час фактичної роботи електроінструмента може відрізнятися від заявленого значення вібрації; особливо сильно на це впливає тип деталі, що оброблюється.

**▲ ПОПЕРЕДЖЕННЯ:** Забезпечте належні запобіжні заходи для захисту оператора, що відповідатимуть умовам використання інструмента (слід брати до уваги всі складові робочого циклу, як-от час, коли інструмент вимкнено та коли він починає працювати на холостому ході під час запуску).

**▲ ПОПЕРЕДЖЕННЯ:** Заявлене значення вібрації відноситься до основних операцій, що виконуються за допомогою електроінструмента. Однак у разі використання інструмента з іншою метою значення вібрації може відрізнятися.

## Декларація про відповідність стандартам ЄС

*Тільки для країн Європи*

Декларацію про відповідність стандартам ЄС наведено в Додатку А до цієї інструкції з експлуатації.

## ПОПЕРЕДЖЕННЯ ПРО ДОТРИМАННЯ УМОВ ТЕХНІКИ БЕЗПЕКИ

### Загальні застереження щодо техніки безпеки при роботі з електроінструментами

**▲ ПОПЕРЕДЖЕННЯ:** Уважно ознайомтеся з усіма попередженнями про дотримання правил техніки безпеки, інструкціями, ілюстраціями та технічними характеристиками, що стосуються цього електроінструмента. Невиконання будь-яких інструкцій, перелічених нижче, може призвести до ураження електричним струмом, пожежі та/або тяжких травм.

## Збережіть усі інструкції з техніки безпеки та експлуатації на майбутнє.

Термін «електроінструмент», зазначений у інструкції з техніки безпеки, стосується електроінструмента, який функціонує від електромережі (електроінструмент з кабелем живлення), або електроінструмента з живленням від батареї (безпроводний електроінструмент).

## Попередження про необхідну обережність під час роботи з бездротовою шліфувальною машиною

Загальні попередження про необхідну обережність для операцій шліфування абразивним кругом/диском, шліфування абразивним папером, зачищення металевою щіткою та абразивного відрізання:

1. Цей електроінструмент призначено для шліфування абразивним кругом/диском, шліфування абразивним папером, зачищення металевою щіткою або відрізання. Уважно ознайомтеся з усіма попередженнями про необхідну обережність, інструкціями, ілюстраціями та технічними характеристиками, що стосуються цього електроінструмента. Невиконання цих інструкцій може призвести до ураження електричним струмом, пожежі та/або важких травм.
2. Цей електроінструмент не рекомендовано використовувати для полірування. Використання електроінструмента не за призначенням може спричинити небезпечну ситуацію та призвести до отримання травм.
3. Заборонено використовувати приладдя, які спеціально не призначені для цього інструмента та не рекомендовані виробником. Навіть якщо приладдя можна приєднати до інструмента, це не гарантує безпечної експлуатації.
4. Номінальна швидкість приладдя повинна щонайменше дорівнювати максимальній швидкості, яка вказана на електроінструменті. Приладдя, що обертається зі швидкістю, більшою за номінальну, може зламатися та відскочити.
5. Зовнішній діаметр та товщина приладдя повинні бути в межах номінальних характеристик електроінструмента. Приладдя неналежних розмірів не можна захистити або контролювати належним чином.
6. Різьба на кріпленні приладдя повинна відповідати різьбі на шпинделі шліфувальної машини. Центровий отвір приладдя, що встановлюється на фланець, повинен відповідати установлюваному діаметру фланця. Приладдя, що не підходить до кріплення електроінструмента, зазнає розбалансування і надмірної вібрації та може спричинити втрату контролю.

7. **Не можна використовувати пошкоджене приладдя.** Перед кожним використанням слід перевірити приладдя, як-от абразивні круги, на наявність зазублин і тріщин, підкладку — на наявність тріщин або зношення, а металеві щітки — на наявність послаблених або тріснутих дротів. У разі падіння електроінструмента або приладдя необхідно оглянути виріб на наявність пошкоджень або встановити неущожене приладдя. Після огляду та встановлення приладдя займіть таке положення, щоб ви та сторонні особи перебували поза площиною обертання приладдя, запустіть інструмент та дайте йому попрацювати на максимальній швидкості без навантаження протягом однієї хвилини. Під час такого пробного запуску пошкоджене приладдя зазвичай розпадається на частини.
  8. **Використовуйте засоби індивідуального захисту.** Відповідно до ділянки застосування необхідно користуватися захисним щитком або захисними окулярами. За необхідності носіть пілозахисну маску, засоби захисту органів слуху, рукавиці та робочий фартух, які здатні затримувати дрібні частинки абразивного матеріалу або деталі. Засоби захисту органів зору повинні бути здатними затримувати уламки, що утворюються під час виконання різних операцій. Пілозахисна маска або респіратор повинні фільтрувати частинки, що утворюються під час роботи. Тривала дія сильного шуму може призвести до втрати слуху.
  9. **Сторонні особи повинні знаходитися на безпечній відстані від місця роботи.** Кожна особа, яка входить до робочої зони, має носити засоби індивідуального захисту. Частинки деталі або уламки приладдя можуть відлетіти за межі безпосередньої робочої зони та спричинити травмування.
  10. **Тримайте електроприлад тільки за ізольовані поверхні держака під час виконання дії, за якої ріжучий пристрій може зачепити сховану електропроводку.** Торкання дроту під напругою може призвести до передавання напруги до металевих частин електроінструмента та до ураження оператора електричним струмом.
  11. **Не можна відкладати електроінструмент, поки приладдя повністю не зупиниться.** Приладдя, що обертається, може зачепити поверхню та вирвати електроінструмент з-під контролю.
  12. **Не можна працювати з електроінструментом, тримаючи його поряд із собою.** У результаті випадкового контакту приладдя, що обертається, може зачепити одяг та призвести до руху приладдя в напрямку тіла.
  13. **Регулярно очищуйте вентиляційні отвори електроінструмента.** Вентилятор двигуна втягує пил усередину кожуха, а надмірне скупчення металевого порошку створює ризик ураження електричним струмом.
  14. **Не можна працювати з електроінструментом поблизу легкозаймистих матеріалів.** Ці матеріали можуть спалахнути від іскри.
  15. **Не можна використовувати приладдя, що потребує застосування охолоджувальних рідин.** Використання води або інших охолоджувальних рідин може призвести до ураження електричним струмом.
- Віддача та відповідні попередження**
- Віддача — це раптова реакція на защемлення або чіплення круга, що обертається, підкладки, щітки або будь-якого іншого приладдя. Защемлення або чіплення призводить до швидкої зупинки приладдя, що обертається, і це в свою чергу спричиняє неконтрольований рух електроінструмента у напрямку, протилежному до напрямку обертання приладдя у місці заклинювання.
- Наприклад, якщо абразивний круг защемлений або зачеплений деталлю, край круга, що входить до місця защемлення, може увійти в поверхню матеріалу, що призведе до відскоку круга або віддачі. Круг може відскочити в напрямку оператора або від нього; це залежить від напрямку руху круга в місці защемлення. За таких умов абразивні круги можуть зламатися.
- Причинами віддачі є неправильне користування електроінструментом та/або неправильні умови чи порядок експлуатації; її можна уникнути, вживши запобіжних заходів, зазначених нижче.
1. **Міцно тримайте електроінструмент та займіть таке положення, яке дозволить вам опиратися силі віддачі.** Обов'язково користуйтеся допоміжною ручкою (за наявності), щоб збільшити до максимуму контроль за віддачею або реакцією від крутного моменту під час пуску. Якщо вжити всіх запобіжних заходів, оператор зможе контролювати реакцію крутного моменту або силу віддачі.
  2. **У жодному разі не можна тримати руку біля приладдя, що обертається.** Приладдя може під час віддачі травмувати руку.
  3. **Не можна розташовувати тіло в зоні, у яку рухатиметься інструмент під час віддачі.** Віддача призведе до штовхання інструмента у місці торкання круга та робочої деталі в напрямку, протилежному напрямку обертання круга.
  4. **Необхідна особлива обережність під час обробки кутів, гострих країв тощо.** Уникайте відскоків та чіплення приладдя. Кути, гострі краї або відскоки призводять до чіплення приладдя, що обертається, спричиняючи втрату контролю та віддачу.
  5. **Забороною прикріплювати диск ланцюгової пили для різання по дереву або диск зубчастої пили.** Такі диски часто спричиняють віддачу та втрату контролю.
- Спеціальні попередження про необхідну обережність під час шліфування абразивним кругом та абразивного відрізання:**
1. **Використовуйте тільки типи кругів, які рекомендовано для цього електроінструмента, а також спеціальний захисний кожух, призначений для обраного круга.** Круги, для роботи з якими електроінструмент не призначено, не можна надійно закрити захисним кожухом, тому вони становлять небезпеку.

2. Шліфувальну поверхню кругів із заглибленим центром необхідно встановити під площиною кромки захисного кожуха. Неправильно встановлений круг, який виступає за площину кромки захисного кожуха, не можна закрити належним чином.
3. **Захисний кожух необхідно надійно прикріпити до електроінструмента та розташувати для забезпечення максимальної безпеки, щоб круг був якомога менше відкритим у напрямку оператора.** Кожух захищає оператора від уламків зламаного круга, від випадкового контакту з кругом та від іскор, через які може зайнятися одяг.
4. **Круги необхідно використовувати тільки за рекомендованим призначенням.** Наприклад, не можна шліфувати бічною стороною відрізного круга. Абразивні відрізни круги призначені для шліфування периферією круга; у разі докладання бічних зусиль до цих кругів вони можуть розколотися.
5. **Обов'язково використовуйте неушкоджені фланці кругів, розмір та форма яких відповідають обраному кругу.** Правильно підібрані фланці добре підтримують круг і таким чином зменшують імовірність його поломки. Фланці для відрізних кругів можуть відрізнятись від фланців для шліфувальних кругів.
6. **Не можна використовувати зношені круги від більших електроінструментів.** Круг, призначений для більшого електроінструмента, не підходить до вищої швидкості меншого інструмента та може розірватися.
5. **Необхідно підтримувати панелі або будь-які деталі великого розміру, щоб мінімізувати ризик защемлення круга або виникнення віддачі.** Великі робочі деталі зазвичай прогинаються під власною вагою. Опори необхідно розташовувати під деталлю поблизу лінії різання та поблизу краю робочої деталі з обох боків круга.
6. **Необхідна особлива обережність під час вирізання виймок в наявних стінах або інших невидимих зонах.** Виступаючий круг може зачепити газо- або водопровід, електропроводку або предмети, що можуть спричинити віддачу.

**Спеціальні попередження про необхідну обережність під час шліфування абразивним папером:**

1. **Заборонено використовувати папір для шліфувального диска завеликого розміру.** Вибираючи абразивний папір, дотримуйтеся рекомендацій виробника. Завеликий абразивний папір, що виступає за межі шліфувальної підкладки, становить небезпеку поранення та може призвести до чіплення, задирання диска або до віддачі.

**Спеціальні попередження про необхідну обережність під час зачищення металевуою щіткою:**

1. **Пам'ятайте, що від щітки відлітають уламки дроту, навіть під час звичайної роботи. Не перенапружуйте дріт, прикладаючи надмірне навантаження до щітки.** Уламки дроту можуть легко пробити легкий одяг та/або шкіру.
2. **Якщо під час зачищення металевуою щіткою рекомендовано використовувати захисний кожух, не допускайте контакту щітки та кожуха.** Під дією робочого навантаження та відцентрових сил діаметр щітки або дискової дротяної щітки може збільшитися.

**Додаткові спеціальні попередження про необхідну обережність під час абразивного відрізання:**

1. **Не можна «заклинювати» відрізний круг або прикладати надмірний тиск. Не намагайтеся зробити розріз надмірної глибини.** Надмірний тиск на круг збільшує навантаження та схильність до перекошування або заклинювання круга у розрізі, а також створює можливість віддачі або поломки круга.
2. **Не можна знаходитися на одній лінії з кругом або позаду круга, що обертається.** Коли під час роботи круг рухається від вас, то можлива віддача може відштовхнути круг, що обертається, та інструмент прямо у ваш бік.
3. **Якщо круг застрягне або різання буде перервано з будь-якої причини, вимкніть електроінструмент та потримайте його нерухомо до повної зупинки круга.** У жодному разі не намагайтеся витягти відрізний круг із розрізу, поки він рухається; недотримання цієї вимоги може призвести до віддачі. Огляньте круг та вживіть необхідних заходів, щоб усунути причину його заклинювання.
4. **Заборонено заново починати операцію різання, коли круг знаходиться в робочій деталі.** Спочатку круг повинен набрати повної швидкості, а потім його слід обережно знову ввести у проріз. Якщо електроінструмент перезапустити, коли круг знаходиться в робочій деталі, круг може застрягти, сіпнутися або спричинити віддачу.

**Додаткові попередження про необхідну обережність:**

1. **У разі використання шліфувальних кругів із заглибленим центром використовуйте лише круги, армовані скловолокном.**
2. **У ЖОДНОМУ РАЗІ НЕ ВИКОРИСТОВУЙТЕ** з цією шліфувальною машиною чашоподібні шліфувальні круги для роботи по каменю. Ця шліфувальна машина не призначена для використання кругів такого типу, і таке використання виробу може призвести до важких травм.
3. **Будьте обережні, щоб не пошкодити шпindel, фланець (особливо поверхню встановлення) або контргайку.** Пошкодження цих деталей може призвести до поломки круга.
4. **Перед увімкненням інструмента переконайтеся, що круг не торкається деталі.**
5. **Перед початком використання інструмента запустіть його та дайте попрцювати йому деякий час.** Звертайте увагу на вібрацію або нерівний хід — це може вказувати на незадовільне встановлення або балансування круга.
6. **Використовуйте зазначену поверхню круга для шліфування.**

## Важливі інструкції з безпеки для касети з акумулятором

- Не залишайте без нагляду інструмент, який працює. Працюйте з інструментом, тільки тримаючи його в руках.
- Не торкайтеся деталі одразу після обробки — вона може бути дуже гарячою та спричинити опік шкіри.
- Не торкайтеся допоміжних деталей одразу після обробки — вони можуть бути дуже гарячими та спричинити опік шкіри.
- Дотримуйтеся інструкції виробника щодо правильного встановлення та використання круга. Поводитися з кругами та зберігати їх необхідно з належною обережністю.
- Не використовуйте окремі перехідні втулки або адаптери для прикріплення шліфувальних кругів з отворами великого діаметра.
- Використовуйте тільки фланці, призначені для цього інструмента.
- При використанні інструментів, призначених для встановлення кругів із різьбовим отвором, необхідно, щоб довжина різьби круга відповідала довжині шпінделя.
- Перевірте надійність опори робочої деталі.
- Пам'ятайте, що круг продовжує обертатися після вимкнення інструмента.
- У разі високої температури, вологості чи рівня забруднення електропровідним пилом на робочому місці використовуйте автоматичний захисний вимикач (30 мА) для забезпечення безпеки оператора.
- Не застосовуйте інструмент для роботи з матеріалами, що містять азбест.
- Якщо використовується відрізний круг, обов'язково працюйте з пилозахисним кожухом круга, який відповідає вимогам місцевих норм.
- Не можна піддавати ріжучі диски боковому тиску.
- Під час роботи не користуйтеся сукняними робочими рукавицями. Волокно з сукняних рукавиць може потрапити в інструмент, і це призведе до його поломки.
- Переконайтесь у відсутності електричних кабелів, водопровідних і газових труб тощо, які можуть становити небезпеку в разі пошкодження їх інструментом.

### ЗБЕРІГАЙТЕ ЦІ ВКАЗІВКИ.

**▲ ПОПЕРЕДЖЕННЯ:** НІКОЛИ НЕ втрачайте пильності та не розслабляйтеся під час користування виробом (що можливо при частому використанні); обов'язково строго дотримуйтеся відповідних правил безпеки. **НЕНАЛЕЖНЕ ВИКОРИСТАННЯ** або недотримання правил безпеки, викладених у цій інструкції з експлуатації, може призвести до серйозних травм.

- Перед тим як користуватися касетою з акумулятором, слід прочитати всі інструкції та застережні знаки щодо (1) зарядного пристрою акумулятора, (2) акумулятора та (3) виробів, що працюють від акумулятора.
- Не розбирайте касету з акумулятором і не змінюйте її конструкцію. Це може призвести до пожежі, перегріву або вибуху.
- Якщо період роботи дуже покоротшав, слід негайно припинити користування. Це може призвести до виникнення ризику перегріву, опіку та навіть вибуху.
- У разі потрапляння електроліту в очі слід промити їх чистою водою та негайно звернутися до лікаря. Це може призвести до втрати зору.
- Не закоротіть касету з акумулятором.
  - Не слід торкатися клем будь-яким струмопровідним матеріалом.
  - Не слід зберігати касету з акумулятором у ємності з іншими металевими предметами, такими як цвяхи, монети тощо.
  - Не залишайте касету з акумулятором під дощем, запобігайте контакту з водою.Коротке замикання може призвести до появи значного струму, перегріву, можливих опіків та навіть виходу з ладу.
- Не слід зберігати й використовувати інструмент і касету з акумулятором у місцях, де температура може сягнути чи перевищити 50 °C (122 °F).
- Не слід спалювати касету з акумулятором, навіть якщо вона була неодноразово пошкоджена або повністю спрацьована. Касета з акумулятором може вибухнути у вогні.
- Заборонено забивати цвяхи в касету з акумулятором, різати, ламати, кидати, впускати касету з акумулятором або вдаряти її твердим предметом. Це може призвести до пожежі, перегріву або вибуху.
- Не слід використовувати пошкоджений акумулятор.
- Літій-іонні акумулятори, що містяться в інструменті, мають відповідати вимогам законів про небезпечні товари. Під час транспортування за допомогою комерційних перевезень, наприклад із залученням третьої сторони та експедиторів, необхідно дотримуватися особливих вимог, вказаних на пакуванні й у маркуванні. Під час підготовки позиції до відправлення необхідно проконсультуватися зі спеціалістом з небезпечних матеріалів. Крім того, слід виконувати більш докладні національні настанови, якщо такі є. Заклейте відкриті контакти стрічкою або заховайте їх і запакуйте акумулятор таким чином, щоб він не міг рухатися в пакуванні.
- Для утилізації касети з акумулятором витягніть її з інструмента та утилізуйте безпечним способом. Дотримуйтеся норм місцевого законодавства щодо утилізації акумуляторів.

12. Використовуйте акумулятори лише з виробами, указаними компанією Makita. Установлення акумуляторів у невідповідні виробли може призвести до пожежі, надмірного нагрівання, вибуху чи витоку електроліту.
13. Якщо інструментом не користуватимуться протягом тривалого періоду часу, вийміть акумулятор з інструмента.
14. Під час і після використання касета з акумулятором може нагріватися, що може стати причиною опіків або низькотемпературних опіків. Будьте обережні під час поводження з гарячою касетою з акумулятором.
15. Не торкайтеся контактів інструмента відразу після використання, оскільки він може бути досить гарячим, щоб викликати опіки.
16. Не допускайте, щоб уламки, пил або земля прилипали до контактів, отворів і пазів на касеті з акумулятором. Це може привести до зниження експлуатаційних параметрів, поломки інструмента або касети з акумулятором.
17. Якщо інструмент не розраховано на використання поблизу високовольтних ліній електропередач, не використовуйте касету з акумулятором поблизу високовольтних ліній електропередач. Це може призвести до несправності, поломки інструмента або касети з акумулятором.
18. Тримайте акумулятор у недоступному для дітей місці.

## ЗБЕРІГАЙТЕ ЦІ ВКАЗІВКИ.

**⚠ОБЕРЕЖНО:** Використовуйте тільки акумулятори Makita. Використання акумуляторів, інших ніж оригінальні акумулятори Makita, або акумуляторів, конструкцію яких було змінено, може призвести до вибуху акумулятора і спричинити пожежу, травму або пошкодження. У зв'язку з цим також буде анульовано гарантію Makita на інструмент Makita і на зарядний пристрій.

## Поради з забезпечення максимального строку експлуатації акумулятора

1. Касету з акумулятором слід заряджати до того, як він розрядиться повністю. Завжди слід зупинити роботу інструмента та зарядити акумулятор, якщо ви помітили зменшення потужності інструмента.
2. Ніколи не слід заряджати повторно повністю заряджену касету з акумулятором. Перезарядження скорочує строк експлуатації акумулятора.
3. Заряджайте касету з акумулятором при кімнатній температурі 10°C - 40°C (50°F - 104°F). Перед тим як заряджати касету з акумулятором, слід зачекати, доки вона охолоне.
4. Коли касета з акумулятором не використовується, виймайте її з інструмента або зарядного пристрою.
5. Якщо касета з акумулятором не використовувалася тривалий час (понад шість місяців), її слід зарядити.

## ОПИС РОБОТИ

**⚠ОБЕРЕЖНО:** Обов'язково переконайтеся, що прилад вимкнено, а касету з акумулятором знято, перед регулюванням або перевіркою функціонування інструмента.

## Встановлення та зняття касети з акумулятором

**⚠ОБЕРЕЖНО:** Завжди вимикайте інструмент перед встановленням або зняттям касети з акумулятором.

**⚠ОБЕРЕЖНО:** Під час встановлення або зняття касети з акумулятором слід міцно тримати інструмент та касету з акумулятором.

Якщо ви утримуватимете інструмент та касету з акумулятором недостатньо міцно, вони можуть вислизнути з рук, що може призвести до пошкодження інструмента та касети з акумулятором або може спричинити травми.

► **Рис.1:** 1. Червоний індикатор 2. Кнопка 3. Касета з акумулятором

Щоб зняти касету з акумулятором, слід витягнути її з інструмента, натиснувши на кнопку в передній частині касети.

Щоб установити касету з акумулятором, слід сумістити виступ на касеті з акумулятором із пазом у корпусі та вставити касету на місце. Її необхідно вставити повністю, аж доки не почуєте клацання. Якщо на верхній частині кнопки помітний червоний індикатор, це означає, що касета з акумулятором установлена не до кінця.

**⚠ОБЕРЕЖНО:** Завжди вставляйте касету з акумулятором повністю, щоб червоного індикатора не було видно. Якщо цього не зробити, касета може випадково випасти з інструмента та завдати травми вам або людям, що знаходяться поряд.

**⚠ОБЕРЕЖНО:** Не встановлюйте касету з акумулятором із зусиллям. Якщо касета не вставляється легко, то це означає, що ви її неправильно вставляєте.

## Відображення залишкового заряду акумулятора

Натисніть кнопку перевірки на касеті з акумулятором для відображення залишкового ресурсу акумулятора. Індикаторні лампи загоряться на кілька секунд.

► **Рис.2:** 1. Індикаторні лампи 2. Кнопка перевірки



Індикаторні лампи			Залишковий ресурс
Горить	Вимк.	Блимає	
■	□	▧	від 75 до 100%
■	■	■	від 50 до 75%
■	■	□	від 25 до 50%
■	□	□	від 0 до 25%
▧	□	□	Зарядіть акумулятор.
■	■	□	Можливо, акумулятор вийшов з ладу.
□	□	■	

**ПРИМІТКА:** Залежно від умов використання та температури оточуючого середовища показання можуть незначним чином відрізнятися від дійсного ресурсу.

**ПРИМІТКА:** Перша (дальня ліва) індикаторна лампа блимає під час роботи захисної системи акумулятора.

## Система захисту інструмента/акумулятора

Інструмент оснащено системою захисту інструмента/акумулятора. Ця система автоматично вимикає живлення двигуна з метою збільшення терміну служби інструмента та акумулятора. Інструмент автоматично зупиняється під час роботи, якщо інструмент або акумулятор перебувають у зазначених нижче умовах.

### Захист від перевантаження

Якщо інструмент/акумулятор використовується в умовах надмірного споживання струму, інструмент автоматично вимикається без будь-якого попередження. У такому разі вимкніть інструмент і припиніть роботу, під час виконання якої інструмент зазнав перевантаження. Щоб перезапустити інструмент, увімкніть його знову.

### Захист від перегрівання

Коли інструмент/акумулятор перегріється, інструмент зупиниться автоматично. Залиште інструмент для охолодження перед повторним вмиканням.

### Захист від надмірного розрядження

Коли заряд акумулятора стає недостатнім для подальшої роботи, інструмент автоматично зупиняється. У такому випадку вийміть акумулятор з інструмента та зарядіть його.

## Знімання захисного блокування

Коли система захисту спрацює повторно, відбувається блокування інструмента.

У такому разі інструмент не вмикається, навіть якщо його вимкнути та знов увімкнути. Для того щоб зняти захисне блокування, зніміть акумулятор, приєднайте його до заряджального пристрою акумулятора та зачекайте, доки заряджання не закінчиться.

### Замок вала

Натисніть на замок вала, щоб заблокувати обертання шпінделя під час встановлення або зняття приладдя.

► **Рис.3:** 1. Замок вала

**УВАГА:** Заборонено використовувати замок вала, коли шпindel обертається. Це може призвести до пошкодження інструмента.

### Дія вимикача

**▲ОБЕРЕЖНО:** Перед тим як встановлювати касету з акумулятором в інструмент, слід завжди перевіряти, чи належним чином працює важіль вимикача та чи повертається він у положення OFF («ВИМК.»), коли його відпускають.

**▲ОБЕРЕЖНО:** З міркувань безпеки цей інструмент обладнано важелем блокування вимкненого положення, що запобігає ненавмисному запуску інструмента. **ЗАБОРОНЕНО** використовувати інструмент, якщо для його запуску достатньо потягнути важелі вимикача, не тягнучи важіль блокування вимкненого положення. **ПЕРЕД** подальшим використанням інструмент слід передати до нашого авторизованого сервісного центру для ремонту.

**▲ОБЕРЕЖНО:** Не можна із силою натискати на важіль вимикача, не натиснувши на важіль блокування вимкненого положення. Це може призвести до поломки вимикача.

**▲ОБЕРЕЖНО:** **ЗАБОРОНЕНО** фіксувати скотчем або іншим чином відключати функцію важеля блокування вимкненого положення.

► **Рис.4:** 1. Важіль блокування вимкненого положення 2. Пусковий важіль

Для запобігання випадковому натисканню важеля вимикача інструмент має важіль блокування вимкненого положення.

Для того щоб запустити інструмент, потягніть важіль блокування вимкненого положення в напрямку оператора, а потім натисніть важіль вимикача. Щоб зупинити інструмент, відпустіть важіль вимикача.

### Функція запобігання раптовому перезапуску

Якщо касету з акумулятором установлювати, натискаючи при цьому на важіль вимикача, інструмент не запуститься.

Для того щоб запустити інструмент, слід спочатку відпустити важіль вимикача. Після цього необхідно натиснути на важіль блокування вимкненого положення, а потім натиснути на важіль вимикача.

## Функція електронного керування крутильним моментом

За допомогою електронного керування інструмент визначає ситуації, у яких існує небезпека заклинювання диска або приладдя. У такому разі інструмент автоматично вимикається, запобігаючи подальшому обертанню шпинделя (він не запобігає спричиненню віддачі).

Щоб перезапустити інструмент, вимкніть його, усуньте причину раптового уповільнення обертання диска і увімкніть знов.

## Функція плавного запуску

Функція плавного запуску гасить поштовх під час запуску інструмента.

## ЗБОРКА

**⚠ОБЕРЕЖНО:** Обов'язково переконайтеся, що прилад вимкнено, а касету з акумулятором знято, перед регулюванням або перевіркою функціонування інструмента.

## Встановлення бокової рукоятки (ручки)

**⚠ОБЕРЕЖНО:** Перед початком роботи необхідно перевірити надійність кріплення бокової рукоятки.

Надійно пригвинтіть бокову рукоятку до інструмента, як показано на малюнку.

► Рис.5

## Встановлення або зняття захисного кожуха круга

**⚠ПОПЕРЕДЖЕННЯ:** При використанні круга з заглибленим центром, пелюсткового диска, гнучкого круга або дискової дротяної щітки встановлюйте захисний кожух круга таким чином, щоб закрити сторону кожуха завжди було спрямовано в бік оператора.

**⚠ПОПЕРЕДЖЕННЯ:** Переконайтеся в тому, що захисний кожух круга надійно зафіксовано важелем блокування на одному з отворів у кожусі диска.

**⚠ПОПЕРЕДЖЕННЯ:** Під час застосування абразивного відрізного круга / алмазного диска обов'язково використовуйте тільки спеціальний захисний кожух круга, призначений для використання з відрізними кругами.

(У деяких країнах Європи під час застосування алмазного диска можна використовувати звичайний захисний кожух. Дотримуйтеся норм та правил, чинних у вашій країні.)

## Для круга із заглибленим центром, пелюсткового диска, гнучкого круга, дискової дротяної щітки / абразивного відрізного круга, алмазного диска

1. Натискаючи важіль блокування, установіть захисний кожух круга, сумістивши виступи на ньому з пазами на корпусі підшипника.

► Рис.6: 1. Важіль блокування 2. Паз 3. Виступ

2. Утримуючи натиснутим важіль блокування в напрямку А, засуньте кожух диска, утримуючи в точках В, як показано на рисунку.

► Рис.7: 1. Захисний кожух круга 2. Отвір

**ПРИМІТКА:** Натисніть на захисний кожух диска в напрямку вперед. В іншому разі ви не зможете повністю вставити захисний кожух диска.

3. Утримуючи стопорний важіль і захисний кожух круга, як описано на етапі 2, поверніть захисний кожух круга в напрямку С, після чого змініть кут захисного кожуха круга відповідно до умов роботи, щоб забезпечити захист оператора. Зіставте стопорний важіль з одним з отворів у захисному кожусі круга, після чого відпустіть стопорний важіль, щоб заблокувати захисний кожух круга.

► Рис.8: 1. Захисний кожух круга 2. Отвір

**ПРИМІТКА:** Повністю натисніть на захисний кожух круга. В іншому разі ви не зможете повернути захисний кожух диска.

Щоб зняти захисний кожух круга, виконайте процедуру його встановлення у зворотному порядку.

## Встановлення або зняття круга з заглибленим центром або пелюсткового диска

### Додаткове приладдя

**⚠ПОПЕРЕДЖЕННЯ:** При використанні круга з заглибленим центром або пелюсткового диска встановлюйте захисний кожух круга таким чином, щоб закрити сторону кожуха завжди було спрямовано в бік оператора.

**⚠ОБЕРЕЖНО:** Переконайтеся, що монтажна деталь внутрішнього фланця точно відповідає внутрішньому діаметру круга з заглибленим центром / пелюсткового диска. Встановлення внутрішнього фланця на невідповідному боці може призвести до небезпечної вібрації.

Установіть внутрішній фланець на шпиндель. Переконайтеся, що зазублену частину внутрішнього фланця встановлено на пряму частину внизу шпинделя. Встановіть круг із заглибленим центром / пелюстковий диск на внутрішній фланець та накрутіть контргайку на шпиндель.

► Рис.9: 1. Контргайка 2. Круг із заглибленим центром 3. Внутрішній фланець 4. Монтажна деталь

Щоб затягнути контргайку, міцно натисніть на замок вала, щоб шпиндель не міг обертатися, а потім за допомогою ключа для контргайки надійно затягніть її за годинниковою стрілкою.

► Рис.10: 1. Ключ для контргайки 2. Замок вала

Щоб зняти круг, виконайте процедуру його встановлення у зворотному порядку.

## Встановлення та зняття гнучкого круга

### Додаткове приладдя

**▲ ПОПЕРЕДЖЕННЯ:** Якщо на інструмент встановлено гнучкий круг, обов'язково використовуйте захисний кожух, що входить до комплекту постачання. Під час використання круг може розколотися, а захисний кожух зменшує ризик травмування.

- **Рис.11:** 1. Контргайка 2. Гнучкий круг  
3. Підкладка 4. Внутрішній фланець

Дотримуйтеся інструкцій щодо використання диска із заглибленим центром, але також використовуйте пластикову підкладку, що встановлюється на диск. Порядок монтажу вказано в цій інструкції з експлуатації на сторінці з інформацією про приладдя.

## Встановлення або зняття абразивного диска

### Додаткове приладдя

- **Рис.12:** 1. Контргайка шліфувального диска  
2. Абразивний диск 3. Гумова підкладка

1. Установіть гумову підкладку на шпindel.
2. Установіть диск на гумову підкладку та накрутіть на шпindel контргайку шліфувального диска.
3. Утримуйте шпindel за допомогою замка вала та надійно затягніть контргайку шліфувального диска ключем для контргайки.

Щоб зняти диск, виконайте процедуру встановлення у зворотному порядку.

**ПРИМІТКА:** Використовуйте приладдя для шліфувальної машини, зазначені в цій інструкції. Їх потрібно купувати окремо.

## Встановлення або зняття гайки Ezynut

### Додаткове приладдя

**▲ ОБЕРЕЖНО:** Не використовуйте гайку Ezynut із суперфланцем або з кутовою шліфувальною машиною, наприкінці номера моделі якої є позначка "F". Такі фланці є занадто товстими, і гайка не може бути повністю накручена на шпindel.

- **Рис.13:** 1. Ezynut 2. Абразивний диск  
3. Внутрішній фланець 4. Шпindel

Установіть внутрішній фланець, абразивний диск та гайку Ezynut на шпindel, щоб логотип Makita на гайці Ezynut був направлений назовні.

- **Рис.14:** 1. Фіксатор

Сильно натисніть на замок вала та затягніть гайку Ezynut, повертаючи абразивний диск за годинниковою стрілкою до упору. Щоб послабити, поверніть зовнішнє кільце гайки Ezynut проти годинникової стрілки.

- **Рис.15:** 1. Стрілка 2. Проріз

- **Рис.16**

**ПРИМІТКА:** Гайку Ezynut можна послабити вручну, доки стрілка вказує на позначку. В іншому випадку знадобиться ключ для стопорної гайки, щоб послабити її. Вставте один штифт ключа в отвір та поверніть гайку Ezynut проти годинникової стрілки.

## Встановлення абразивного відрізного круга / алмазного диска

### Додаткове приладдя

**▲ ПОПЕРЕДЖЕННЯ:** Під час застосування абразивного відрізного круга / алмазного диска обов'язково використовуйте тільки спеціальний захисний кожух, призначений для використання з відрізними кругами.

(У деяких країнах Європи під час застосування алмазного диска можна використовувати звичайний захисний кожух. Дотримуйтеся норм та правил, чинних у вашій країні.)

**▲ ПОПЕРЕДЖЕННЯ:** ЗАБОРОНЕНО використовувати відрізний круг для бокового шліфування.

- **Рис.17:** 1. Контргайка 2. Абразивний відрізний круг / алмазний диск 3. Внутрішній фланець 4. Захисний кожух для абразивного відрізного круга / алмазного диска

Стосовно встановлення дотримуйтеся інструкцій для круга із заглибленим центром.

**Напрямок встановлення контргайки та внутрішнього фланця залежить від типу та товщини круга.**

Див. наведені далі рисунки.

**Під час встановлення абразивного відрізного круга:**

- **Рис.18:** 1. Контргайка 2. Абразивний відрізний круг (з товщиною до 4 мм (5/32")) 3. Абразивний відрізний круг (з товщиною від 4 мм (5/32")) 4. Внутрішній фланець

**Під час встановлення алмазного диска:**

- **Рис.19:** 1. Контргайка 2. Алмазний диск (з товщиною до 4 мм (5/32")) 3. Алмазний диск (з товщиною від 4 мм (5/32")) 4. Внутрішній фланець

## Встановлення чашоподібної дротяної щітки

### Додаткове приладдя

**▲ ОБЕРЕЖНО:** Не використовуйте пошкоджену або розбалансовану щітку. Використання пошкодженої щітки може збільшити ризик травмування через контакт із дротами пошкодженої щітки.

- **Рис.20:** 1. Чашоподібна дротяна щітка

Зніміть касету з акумулятором з інструмента та, перевернувши, покладіть її, щоб забезпечити вільний доступ до шпинделя.

Зніміть усе приладдя зі шпинделя. Накрутіть чашоподібну дротяну щітку на шпindel та затягніть за допомогою ключа, що входить до комплекту постачання.

## Установлення дискової дротяної щітки

### Додаткове приладдя

**⚠ОБЕРЕЖНО:** Не використовуйте пошкоджену або розбалансовану дискову дротяну щітку. Використання пошкодженої дискової дротяної щітки може збільшити ризик травмування через контакт із дротою пошкодженої щітки.

**⚠ОБЕРЕЖНО:** Із дисковою дротяною щіткою **ОБОВ'ЯЗКОВО** використовуйте захисний кожух, який відповідає діаметру диска. Під час використання круг може розколотися, а захисний кожух зменшує ризик травмування.

► **Рис.21:** 1. Дискова дротяна щітка

Зніміть касету з акумулятором з інструмента та, перевернувши, покладіть її, щоб забезпечити вільний доступ до шпинделя.

Зніміть усе приладдя зі шпинделя. Накрутіть дискову дротяну щітку на шпиндель та затягніть за допомогою ключів.

## РОБОТА

**⚠ПОПЕРЕДЖЕННЯ:** Не потрібно прикладати силу до інструмента. Вага інструмента забезпечує достатній тиск. Прикладання сили та надмірний тиск можуть призвести до небезпечної поломки круга.

**⚠ПОПЕРЕДЖЕННЯ:** **ОБОВ'ЯЗКОВО** замініть круг, якщо інструмент впав під час роботи.

**⚠ПОПЕРЕДЖЕННЯ:** у **ЖОДНОМУ РАЗІ** не вдаряйте шліфувальним диском по робочій деталі.

**⚠ПОПЕРЕДЖЕННЯ:** Уникайте відскоків та чіпляння круга, особливо під час обробки кутів, гострих країв тощо. Це може призвести до втрати контролю та віддачі.

**⚠ПОПЕРЕДЖЕННЯ:** **ЗАБОРОНЕНО** використовувати інструмент із ріжучими дисками для деревини та іншими дисками пили. У разі використання на шліфувальних машинах такі диски часто спричиняють віддачу та призводять до втрати контролю та травмування.

**⚠ОБЕРЕЖНО:** Заборонено вмикати інструмент, коли він торкається робочої деталі, оскільки це може призвести до травмування оператора.

**⚠ОБЕРЕЖНО:** Під час роботи обов'язково користуйтеся захисними окулярами або захисним щитком.

**⚠ОБЕРЕЖНО:** Після закінчення роботи обов'язково вимкніть інструмент та зачекайте, поки круг не зупиниться повністю, перш ніж відкладати інструмент.

**⚠ОБЕРЕЖНО:** **ОБОВ'ЯЗКОВО** міцно тримайте інструмент однією рукою за корпус, а другою — за бокову рукоятку (ручку).

## Шліфування абразивним кругом/ диском та абразивним папером

► **Рис.22**

Увімкніть інструмент та підведіть круг або диск до робочої деталі.

Взагалі слід підтримувати кут близько 15° між краєм круга або диска та поверхнею деталі.

Під час періоду припрацювання нового круга не можна пересувати шліфувальну машину вперед, інакше вона може врізатися в деталь. Щойно край круга стане обточеним від використання, круг можна буде пересувати як вперед, так і назад.

## Робота з абразивним відрізним кругом / алмазним диском

### Додаткове приладдя

**⚠ПОПЕРЕДЖЕННЯ:** Не можна «заклинювати» круг або піддавати його надмірному тиску. Не намагайтеся зробити розріз надмірної глибини. Перенапруження круга збільшує навантаження та здатність до перекошування або застрягання круга у розрізі, а також створює потенційний ризик віддачі, поломки круга та перегрівання двигуна.

**⚠ПОПЕРЕДЖЕННЯ:** Заборонено розпочинати різання, коли круг знаходиться в деталі. Спочатку круг повинен набрати повну швидкість, а потім його слід обережно ввести у проріз, пересуваючи інструмент уперед над поверхнею деталі. Якщо інструмент запустити, коли круг знаходиться в робочій деталі, круг може застрягти, сіпнутися або спричинити віддачу.

**⚠ПОПЕРЕДЖЕННЯ:** Під час різання не можна міняти кут нахилу круга. Прикладання бокового тиску до відрізного круга (як під час шліфування) призведе до розтріскування та поломки круга і, як наслідок, до важких травм.

**⚠ПОПЕРЕДЖЕННЯ:** Алмазний диск **необхідно** прикладати перпендикулярно до робочої поверхні під час роботи.

Приклад використання: робота з абразивним відрізним кругом

► **Рис.23**

Приклад використання: робота з алмазним диском

► **Рис.24**

## Робота з чашоподібною дротяною щіткою

### Додаткове приладдя

**⚠ОБЕРЕЖНО:** Перевірте роботу щітки, запустивши інструмент у режимі холостого ходу, наперед переконавшись, що перед щіткою або на одній лінії з нею немає людей.

**УВАГА:** Не прикладайте надмірний тиск, від якого дроти можуть сильно погнути під час використання чашоподібною дротяною щіткою. Це може призвести до передчасного виходу з ладу.

Приклад використання: робота із чашоподібною дротяною щіткою

► **Рис.25**

## Робота з дисковою дротяною щіткою

### Додаткове приладдя

**⚠ ОБЕРЕЖНО:** Перевірте роботу дискової дротяної щітки, запустивши інструмент у режимі холостого ходу, попередньо переконавшись, що перед щіткою або на одній лінії з нею немає людей.

**УВАГА:** Не прикладайте надмірний тиск, від якого дроти можуть сильно погнутися під час використання дискової дротяної щітки. Це може призвести до передчасного виходу з ладу.

Приклад використання: робота з дисковою дротяною щіткою

► Рис.26

## ТЕХНІЧНЕ ОБСЛУГОВУВАННЯ

**⚠ ОБЕРЕЖНО:** Перед здійсненням перевірки або обслуговування завжди перевіряйте, щоб інструмент був вимкнений, а касета з акумулятором була знята.

**УВАГА:** Ніколи не використовуйте газолін, бензин, розріджувач, спирт та подібні речовини. Їх використання може призвести до зміни кольору, деформації або появи тріщин.

Для того, щоб підтримувати БЕЗПЕКУ та НАДІЙНІСТЬ, ремонт, технічне обслуговування або регулювання мають виконувати уповноважені центри обслуговування "Макіта", де використовуються лише стандартні запчастини "Макіта".

### Очищення вентиляційних отворів

Необхідно підтримувати чистоту інструмента та його вентиляційних отворів. Очищуйте вентиляційні отвори інструмента регулярно та щоразу, коли вони стають заблокованими.

► **Рис.27:** 1. Вихідні вентиляційні отвори 2. Вхідні вентиляційні отвори

Зніміть пилозахисну кришку з повітрязабірного вентиляційного отвору та прочистіть її, щоб забезпечити безперешкодну циркуляцію повітря.

► **Рис.28:** 1. Пилозахисна кришка

**УВАГА:** Очищайте пилозахисну кришку в разі налипання на неї пилу або інших сторонніх речовин. Безперервна робота із засміченою пилозахисною кришкою може призвести до пошкодження інструмента.

## ДОДАТКОВЕ ПРИЛАДДЯ

**⚠ ОБЕРЕЖНО:** Це додаткове та допоміжне обладнання рекомендовано використовувати з інструментом Makita, зазначеним у цій інструкції з експлуатації. Використання будь-якого іншого додаткового та допоміжного обладнання може становити небезпеку травмування. Використовуйте додаткове та допоміжне обладнання лише за призначенням.

У разі необхідності отримати допомогу в більш детальному ознайомленні з оснащенням звертайтеся до місцевого сервісного центру Makita.

- Оригінальний акумулятор та зарядний пристрій Makita

► **Рис.29**

-	Модель 150 мм (6")
1	Затиск 36
2	Захисний кожух круга (для шліфувального круга)
3	Внутрішній фланець
4	Круг із заглибленим центром / пелюстковий диск
5	Контргайка
6	Підкладка
7	Гнучкий круг
8	Гумова підкладка 125
9	Абразивний диск
10	Контргайка шліфувального диска
11	Дискова дротяна щітка
12	Чашоподібна дротяна щітка
13	Захисний кожух круга (для відрізного круга) *1
14	Абразивний відрізний круг / алмазний диск
-	Ключ для контргайки

**ПРИМІТКА:** \*1 У деяких країнах Європи під час використання алмазного диска замість спеціального захисного кожуха, що закриває диск з обох боків, можна використовувати звичайний захисний кожух. Дотримуйтеся норм та правил, чинних у вашій країні.

**ПРИМІТКА:** Деякі елементи списку можуть входити до комплекту інструмента як стандартне приладдя. Вони можуть відрізнятись залежно від країни.

## ТЕХНИЧЕСКИЕ ХАРАКТЕРИСТИКИ

Модель:	GA036G	
Диаметр диска	150 мм (6 дюйма)	
Макс. толщина диска	6,4 мм	
Резьба шпинделя	M14 или 5/8 дюйма (в зависимости от страны)	
Номинальное число оборотов (n)	8 500 мин <sup>-1</sup>	
Общая длина	с BL4025	398 мм
	с BL4040	410 мм
Масса нетто	3,1–3,7 кг	
Номинальное напряжение	36–40 В пост. тока макс.	

- Благодаря нашей постоянно действующей программе исследований и разработок указанные здесь технические характеристики могут быть изменены без предварительного уведомления.
- Технические характеристики могут различаться в зависимости от страны.
- Масса может отличаться в зависимости от дополнительного оборудования. Обратите внимание, что блок аккумулятора также считается дополнительным оборудованием. В таблице представлены комбинации с наибольшим и наименьшим весом в соответствии с процедурой EPTA 01/2014.

### Подходящий блок аккумулятора и зарядное устройство

Блок аккумулятора	BL4025 / BL4040
Зарядное устройство	DC40RA

- В зависимости от региона проживания некоторые блоки аккумуляторов и зарядные устройства, перечисленные выше, могут быть недоступны.

**⚠ ОСТОРОЖНО:** Используйте только перечисленные выше блоки аккумуляторов и зарядные устройства. Использование других блоков аккумуляторов и зарядных устройств может привести к травме и/или пожару.

### Назначение

Инструмент предназначен для шлифовки, зачистки (в том числе проволочной щеткой) и резки материалов из металла и камня без использования воды.

### Шум

Типичный уровень взвешенного звукового давления (A), измеренный в соответствии с EN60745-2-3:  
 Уровень звукового давления ( $L_{pA}$ ): 82 дБ (A)  
 Уровень звуковой мощности ( $L_{WA}$ ): 93 дБ (A)  
 Погрешность (K): 3 дБ (A)

**ПРИМЕЧАНИЕ:** Заявленное значение распространения шума измерено в соответствии со стандартной методикой испытаний и может быть использовано для сравнения инструментов.

**ПРИМЕЧАНИЕ:** Заявленное значение распространения шума можно также использовать для предварительных оценок воздействия.

**⚠ ОСТОРОЖНО:** Используйте средства защиты слуха.

**⚠ ОСТОРОЖНО:** Распространение шума во время фактического использования электроинструмента может отличаться от заявленного значения в зависимости от способа применения инструмента и в особенности от типа обрабатываемой детали.

**⚠ ОСТОРОЖНО:** Обязательно определите меры безопасности для защиты оператора, основанные на оценке воздействия в реальных условиях использования (с учетом всех этапов рабочего цикла, таких как выключение инструмента, работа без нагрузки и включение).

### Вибрация

Суммарное значение вибрации (сумма векторов по трем осям), определенное в соответствии с EN60745-2-3:

Рабочий режим: плоское шлифование с использованием обычной боковой ручки

Распространение вибрации ( $a_{h,AG}$ ): 9,0 м/с<sup>2</sup>

Погрешность (K): 1,5 м/с<sup>2</sup>

Рабочий режим: плоское шлифование с использованием антивибрационной боковой ручки

Распространение вибрации ( $a_{h,AG}$ ): 9,0 м/с<sup>2</sup>

Погрешность (K): 1,5 м/с<sup>2</sup>

Рабочий режим: шлифование с использованием обычной боковой ручки

Распространение вибрации ( $a_{h, DS}$ ): 4,0 м/с<sup>2</sup>

Погрешность (K): 1,5 м/с<sup>2</sup>

Рабочий режим: шлифование с использованием антивибрационной боковой ручки

Распространение вибрации ( $a_{h, DS}$ ): 3,5 м/с<sup>2</sup>

Погрешность (K): 1,5 м/с<sup>2</sup>

**ПРИМЕЧАНИЕ:** Заявленное общее значение распространения вибрации измерено в соответствии со стандартной методикой испытаний и может быть использовано для сравнения инструментов.

**ПРИМЕЧАНИЕ:** Заявленное общее значение распространения вибрации можно также использовать для предварительных оценок воздействия.

**▲ОСТОРОЖНО:** Распространение вибрации во время фактического использования электроинструмента может отличаться от заявленного значения в зависимости от способа применения инструмента и в особенности от типа обрабатываемой детали.

**▲ОСТОРОЖНО:** Обязательно определите меры безопасности для защиты оператора, основанные на оценке воздействия в реальных условиях использования (с учетом всех этапов рабочего цикла, таких как выключение инструмента, работа без нагрузки и включение).

**▲ОСТОРОЖНО:** Заявленное значение распространения вибрации относится к основным операциям, выполняемым с помощью электроинструмента. Однако если электроинструмент используется для других целей, уровень вибрации может отличаться.

## Декларация о соответствии ЕС

*Только для европейских стран*

Декларация о соответствии ЕС включена в руководство по эксплуатации (Приложение А).

## МЕРЫ БЕЗОПАСНОСТИ

### Общие рекомендации по технике безопасности для электроинструментов

**▲ОСТОРОЖНО:** Ознакомьтесь со всеми представленными инструкциями по технике безопасности, указаниями, иллюстрациями и техническими характеристиками, прилагаемыми к данному электроинструменту. Несоблюдение каких-либо инструкций, указанных ниже, может привести к поражению электрическим током, пожару и/или серьезной травме.

### Сохраните брошюру с инструкциями и рекомендациями для дальнейшего использования.

Термин "электроинструмент" в предупреждениях относится ко всему инструменту, работающему от сети (с проводом) или на аккумуляторах (без провода).

## Правила техники безопасности при эксплуатации аккумуляторной шлифовальной машины

Общие предупреждения о правилах техники безопасности при выполнении шлифования, зачистки проволочной щеткой или абразивной резки:

1. Данный электроинструмент предназначен для шлифования, зачистки проволочной щеткой и абразивной резки. Ознакомьтесь со всеми представленными инструкциями по технике безопасности, указаниями, иллюстрациями и техническими характеристиками, прилагаемыми к данному электроинструменту. Несоблюдение каких-либо инструкций, указанных ниже, может привести к поражению электрическим током, пожару и/или серьезной травме.
2. Не рекомендуется пользоваться данным инструментом для выполнения таких операций, как полировка. Использование инструмента не по прямому назначению может привести к опасной ситуации и стать причиной травмы.
3. Не используйте принадлежности других производителей, не рекомендованные производителем данного инструмента. Даже если принадлежность удастся закрепить на инструменте, это не обеспечит безопасность эксплуатации.
4. Номинальная скорость принадлежностей должна быть как минимум равна максимальной скорости, обозначенной на инструменте. При превышении номинальной скорости принадлежности она может разломиться на части.
5. Внешний диаметр и толщина принадлежности должны соответствовать номинальной мощности инструмента. Принадлежности, размер которых подобран неверно, не гарантируют безопасности и точности управления.
6. Резьбовые отверстия дополнительных принадлежностей должны совпадать с резьбой шпинделя шлифмашины. Для принадлежностей, устанавливаемых с помощью фланцев, отверстие для шпинделя на принадлежности должно соответствовать диаметру фланца. Принадлежности, не соответствующие монтажному креплению электроинструмента, приведут к разбалансировке, сильной вибрации и потере контроля.
7. Не используйте поврежденные принадлежности. Перед каждым использованием принадлежностей типа абразивных дисков проверяйте их на наличие сколов и трещин, проверяйте опорные фланцы на наличие трещин, задиrow или чрезмерного износа, а проволочные щетки - на наличие выпавших или сломанных проволок. Если вы уронили инструмент или принадлежность, осмотрите их на предмет повреждений или установите исправную принадлежность. После осмотра и установки принадлежности встаньте в безопасном положении относительно плоскости вращения принадлежности (и проследите, чтобы это сделали окружающие) и включите инструмент на максимальной скорости без нагрузки на одну минуту. Поврежденная принадлежность обычно ломается в течение пробного периода.



8. **Надевайте индивидуальные средства защиты. В зависимости от выполняемых операций используйте защитную маску или защитные очки. При необходимости надевайте респиратор, средство защиты органов слуха, перчатки и защитный переносчик для защиты от небольших частиц абразивных материалов или детали.** Средства защиты органов зрения должны предохранять от летящих фрагментов, появляющихся при выполнении различных операций. Пылезащитная маска или респиратор должны обеспечивать фильтрацию пыли, возникающей во время работы. Продолжительное воздействие сильного шума может стать причиной потери слуха.
9. **Посторонние лица должны находиться на безопасном расстоянии от рабочей зоны. Любой приближающийся к рабочему месту человек должен предварительно надеть индивидуальные средства защиты.** Осколки заготовки или сломавшейся принадлежности могут разлететься и причинить травму даже на значительном удалении от рабочего места.
10. **Если при выполнении работ существует риск контакта режущего инструмента со скрытой электропроводкой, держите электроинструмент только за специально предназначенные изолированные поверхности.** Контакт с проводом под напряжением приведет к тому, что металлические детали инструмента также будут под напряжением, что приведет к поражению оператора электрическим током.
11. **Не кладите инструмент, пока принадлежность полностью не остановится.** Вращающаяся насадка может коснуться поверхности, и вы не удержите инструмент.
12. **Не включайте инструмент во время перемотки.** Случайный контакт с вращающейся принадлежностью может привести к заземлению одежды и притягиванию принадлежности к телу.
13. **Регулярно прочищайте вентиляционные отверстия инструмента.** Вентилятор электродвигателя засасывает пыль внутрь корпуса, а значительные отложения металлической пыли могут привести к поражению электрическим током.
14. **Не используйте инструмент вблизи горючих материалов.** Эти материалы могут воспламениться от искр.
15. **Не используйте принадлежности, требующие жидкостного охлаждения.** Использование воды или других охлаждающих жидкостей может привести к поражению электротоком.

**Отдача и соответствующие предупреждения**  
 Отдача – это мгновенная реакция на неожиданное застопоривание вращающегося диска, опорной подушки, щетки или другой принадлежности. Зажимание или застопоривание вызывает резкий останов вращающейся принадлежности, что, в свою очередь, приводит к неконтролируемому рывку инструмента в направлении, противоположном вращению принадлежности в момент застревания.

Например, если абразивный диск зажимается или прихватывается деталью, край диска, находящийся в точке заклинивания, может углубиться в поверхность детали, что приведет к выкатыванию или выскакиванию диска. Диск может совершить рывок в направлении оператора или обратно, в зависимости от направления перемещения диска в точке заклинивания. Также в этих условиях абразивные диски могут сломаться.

Отдача – это результат неправильного использования электроинструмента и/или неправильных методов или условий работ, чего можно избежать, соблюдая нижеуказанные меры предосторожности.

1. **Крепко держите электроинструмент и располагайте свое тело и руки так, чтобы можно было сопротивляться силам отдачи. Обязательно пользуйтесь вспомогательной ручкой (при наличии), чтобы обеспечить максимальный контроль над отдачей или крутящим моментом во время пуска.** Оператор способен справиться с крутящим моментом и силами отдачи при условии соблюдения соответствующих мер безопасности.
2. **Берегите руки от вращающейся насадки.** При отдаче насадка может задеть ваши руки.
3. **Не становитесь на возможной траектории движения инструмента в случае отдачи.** При отдаче инструмент сместится в направлении, противоположном вращению диска в момент застревания.
4. **Соблюдайте особую осторожность при обработке углов, острых краев и т. п. Не допускайте ударов и застревания принадлежности.** Углы, острые края и удары способствуют прихвату вращающейся принадлежности, которое приводит к выходу из-под контроля или отдаче.
5. **Не устанавливайте на инструмент пильную цепь, принадлежность для резбы по дереву или пильный диск.** Такие пилы часто дают отдачу и приводят к потере контроля.

#### **Специальные предупреждения о безопасности для операций шлифования и абразивной резки:**

1. **Используйте диски только рекомендованных для вашего электроинструмента типов и специальные защитные приспособления, разработанные для выбранного диска.** Диски, не предназначенные для данного инструмента, не обеспечивают достаточную степень защиты и небезопасны.
2. **Шлифовальная поверхность дисков с утопленным центром должна быть установлена под плоской поверхностью кромки кожуха.** Для неправильно установленного диска, выступающего над плоской поверхностью кромки кожуха, надлежащая защита не гарантируется.
3. **Ограждение должно быть надежно закреплено на инструменте и расположено для обеспечения максимальной защиты таким образом, чтобы как можно меньший сегмент диска выступал наружу.** Кожух помогает обезопасить оператора от разлета осколков разрушившегося диска, случайного прикосновения к диску и искр, которые могут воспламенить одежду.
4. **Диски должны использоваться только по рекомендованному назначению.** Например: не шлифуйте краем отрезного диска. Абразивные отрезные диски предназначены для периферийного шлифования, и боковые усилия, приложенные к таким дискам, могут вызвать их разрушение.

5. **Обязательно используйте неповрежденные фланцы для дисков соответствующего размера и формы.** Подходящие фланцы поддерживают диск, снижая вероятность его повреждения. Фланцы для отрезных дисков могут отличаться от фланцев для шлифовальных дисков.
6. **Не используйте изношенные диски от более крупных электроинструментов.** Диски, предназначенные для более мощного электроинструмента, не подходят для высокоскоростного электроинструмента меньшей мощности и могут разломиться.

**Дополнительные специальные предупреждения о безопасности для операций абразивной резки:**

1. **Не “заклинивайте” отрезной диск и не прикладывайте к нему чрезмерное давление. Не пытайтесь делать слишком глубокий разрез.** Перенапряжение диска увеличивает нагрузку и вероятность искривления или застревания диска в прорези, а также отдачи или поломки диска.
2. **Не становитесь на возможной траектории движения вращающегося диска и позади него.** Если во время работы диск движется от вас, то при отдаче вращающийся диск и инструмент может отбросить прямо на вас.
3. **Если диск застревает или процесс резания прерывается по другой причине, выключите электроинструмент и держите его неподвижно до полной остановки диска. Не пытайтесь извлечь отрезной диск из разреза до полной остановки диска, в противном случае может возникнуть отдача.** Выясните и устраните причину застревания диска.
4. **Не перезапускайте отрезной диск, пока он находится в детали. Дождитесь, пока диск разовьет максимальную скорость, и осторожно погрузите его в разрез.** Диск может застрять, отдача может отбросить его вверх или назад, если перезапустить электроинструмент непосредственно в детали.
5. **Устанавливайте опоры под панели или большие детали, чтобы уменьшить риск застревания диска и возникновения отдачи.** Большие детали имеют тенденцию к прогибанию под собственным весом. При резании таких панелей необходимо поместить опоры под разрезаемую деталью рядом с линией разреза и рядом с краем детали с обеих сторон диска.
6. **Будьте особенно осторожны при выполнении врезки в существующих стенах или на других участках, недоступных для осмотра.** Выступающая часть диска может перерезать газовые или водопроводные трубы, электропроводку или детали, что может вызвать отдачу.

**Специальные инструкции по технике безопасности для выполнения операций шлифовки:**

1. **Не пользуйтесь наждачной бумагой слишком большого размера. При выборе наждачной бумаги следуйте рекомендациям производителя.** Большие размеры наждачной бумаги, выступающей за края подложки, могут привести к разрыву бумаги, застреванию, разрыву круга или отдаче.

**Специальные инструкции по технике безопасности, относящиеся к операциям очистки проволоочной щеткой:**

1. **Берегите проволоку, которые разлетаются от щетки даже в нормальном режиме работы. Не прикладывайте чрезмерное усилие на проволоку, слишком сильно нажимая на щетку.** Проволока щетки может легко пробить одежду и/или кожу.
2. **Если для работы по очистке проволоочными щетками рекомендуется использовать кожаную обувь, не допускайте контакта проволоочного диска или щетки с кожаной обувью.** Проволоочный диск или щетка могут увеличиваться в диаметре под воздействием нагрузки и центробежных сил.

**Дополнительные правила техники безопасности:**

1. **При применении дисков с утопленным центром используйте только диски, армированные стекловолокном.**
2. **ЗАПРЕЩАЕТСЯ ИСПОЛЬЗОВАТЬ с этим инструментом шлифовальные чашки для камня.** Данная шлифмашина не предназначена для дисков такого типа, их использование может привести к тяжелой травме.
3. **Будьте осторожны во избежание повреждения шпинделя, фланца (особенно его установочной поверхности) или контргайки.** Повреждения этих деталей могут привести к поломке диска.
4. **Перед включением выключателя убедитесь, что диск не касается детали.**
5. **Перед использованием инструмента на реальной детали дайте ему немного поработать вхолостую.** Следите за вибрацией или биением, которые могут свидетельствовать о неправильной установке или плохой балансировке диска.
6. **Для выполнения шлифования пользуйтесь соответствующей поверхностью диска.**
7. **Не оставляйте работающий инструмент без присмотра.** Включайте инструмент только тогда, когда он находится в руках.
8. **Сразу после окончания работ не прикасайтесь к обработанной детали.** Она может быть очень горячей, что приведет к ожогам кожи.
9. **Сразу после окончания работ не прикасайтесь к вспомогательным деталям.** Они могут быть очень горячими, что приведет к ожогам кожи.
10. **Соблюдайте инструкции изготовителя по правильной установке и использованию дисков.** Бережно обращайтесь с дисками и аккуратно храните их.
11. **Не пользуйтесь отдельными переходными втулками или адаптерами для крепления абразивных дисков с большими отверстиями.**
12. **Пользуйтесь только фланцами, предназначенными для данного инструмента.**
13. **Для инструментов, предназначенных для использования дисков с резьбовым отверстием, убедитесь, что резба диска достаточна, чтобы диск можно было полностью завернуть на шпиндель.**

14. Убедитесь, что обрабатываемая деталь имеет надлежащую опору.
  15. Обратите внимание на то, что диск будет некоторое время вращаться после выключения инструмента.
  16. Если в месте выполнения работ очень высокая температура и влажность или наблюдается большое количество токопроводящей пыли, используйте прерыватель цепи (30 мА) для обеспечения безопасности работ.
  17. Не используйте инструмент на любых материалах, содержащих асбест.
  18. При использовании отрезного диска, всегда работайте с защитным кожухом с патрубком для удаления пыли, установка которого необходима в соответствии с местными нормативными требованиями.
  19. Не подвергайте отрезные круги какому-либо боковому давлению.
  20. Не пользуйтесь тканевыми перчатками во время работы. Волокна от тканевых перчаток могут попасть в инструмент и привести к его поломке.
  21. Убедитесь в отсутствии поблизости электрических проводов, водопроводных и газовых труб и других предметов, которые могут стать причиной опасной ситуации в случае их повреждения при использовании инструмента.
4. В случае попадания электролита в глаза промойте их обильным количеством чистой воды и немедленно обратитесь к врачу. Это может привести к потере зрения.
  5. Не замыкайте контакты аккумуляторного блока между собой:
    - (1) Не прикасайтесь к контактам какими-либо токопроводящими предметами.
    - (2) Не храните аккумуляторный блок в контейнере вместе с другими металлическими предметами, такими как гвозди, монеты и т. п.
    - (3) Не допускайте попадания на аккумуляторный блок воды или дождя.
 Замыкание контактов аккумуляторного блока между собой может привести к возникновению большого тока, перегреву, возможным ожогам и даже поломке блока.
  6. Не храните и не используйте инструмент и аккумуляторный блок в местах, где температура может достигать или превышать 50 °C (122 °F).
  7. Не бросайте аккумуляторный блок в огонь, даже если он сильно поврежден или полностью вышел из строя. Аккумуляторный блок может взорваться под действием огня.
  8. Запрещено вбивать гвозди в блок аккумулятора, резать, ломать, бросать, ронять блок аккумулятора или ударять его твердым предметом. Это может привести к пожару, перегреву или взрыву.
  9. Не используйте поврежденный аккумуляторный блок.
  10. Входящие в комплект литий-ионные аккумуляторы должны эксплуатироваться в соответствии с требованиями законодательства об опасных товарах.
 При коммерческой транспортировке, например, третьей стороной или экспедитором, необходимо нанести на упаковку специальные предупреждения и маркировку.
 В процессе подготовки устройства к отправке обязательно проконсультируйтесь со специалистом по опасным материалам. Также соблюдайте местные требования и нормы. Они могут быть строже.
 Закройте или закрепите разомкнутые контакты и упакуйте аккумулятор так, чтобы он не перемещался по упаковке.

## СОХРАНИТЕ ДАННЫЕ ИНСТРУКЦИИ.

**⚠ОСТОРОЖНО: НЕ ДОПУСКАЙТЕ,** чтобы удобство или опыт эксплуатации данного устройства (полученный от многократного использования) доминировали над строгим соблюдением правил техники безопасности при обращении с этим устройством. **НЕПРАВИЛЬНОЕ ИСПОЛЬЗОВАНИЕ** инструмента или несоблюдение правил техники безопасности, указанных в данном руководстве, может привести к тяжелой травме.

### Важные правила техники безопасности для работы с аккумуляторным блоком

1. Перед использованием аккумуляторного блока прочитайте все инструкции и предупреждающие надписи на (1) зарядном устройстве, (2) аккумуляторном блоке и (3) инструменте, работающем от аккумуляторного блока.
2. Не разбирайте блок аккумулятора и не меняйте его конструкцию. Это может привести к пожару, перегреву или взрыву.
3. Если время работы аккумуляторного блока значительно сократилось, немедленно прекратите работу. В противном случае, может возникнуть перегрев блока, что приведет к ожогам и даже к взрыву.
11. Для утилизации блока аккумулятора извлеките его из инструмента и утилизируйте безопасным способом. Выполняйте требования местного законодательства по утилизации аккумуляторного блока.
12. Используйте аккумуляторы только с продукцией, указанной Makita. Установка аккумуляторов на продукцию, не соответствующую требованиям, может привести к пожару, перегреву, взрыву или утечке электролита.
13. Если инструментом не будут пользоваться в течение длительного периода времени, извлеките аккумулятор из инструмента.

14. Во время и после использования блок аккумулятора может нагреваться, что может стать причиной ожогов или низкотемпературных ожогов. Будьте осторожны при обращении с горячим блоком аккумулятора.
15. Не прикасайтесь к контактам инструмента сразу после использования, поскольку они могут быть достаточно горячими, чтобы вызвать ожоги.
16. Не допускайте, чтобы обломки, пыль или земля прилипали к контактам, отверстиям и пазам на блоке аккумулятора. Это может привести к снижению эксплуатационных параметров, поломке инструмента или блока аккумулятора.
17. Если инструмент не рассчитан на использование вблизи высоковольтных линий электропередач, не используйте блок аккумулятора вблизи высоковольтных линий электропередач. Это может привести к неисправности, поломке инструмента или блока аккумулятора.
18. Храните аккумулятор в недоступном для детей месте.

## СОХРАНИТЕ ДАННЫЕ ИНСТРУКЦИИ.

**ВНИМАНИЕ:** Используйте только фирменные аккумуляторные батареи Makita. Использование аккумуляторных батарей, не произведенных Makita, или батарей, которые были подвергнуты модификациям, может привести к взрыву аккумулятора, пожару, травмам и повреждению имущества. Это также автоматически аннулирует гарантию Makita на инструмент и зарядное устройство Makita.

## Советы по обеспечению максимального срока службы аккумулятора

1. Заряжайте блок аккумуляторов перед его полной разрядкой. Обязательно прекратите работу с инструментом и зарядите блок аккумуляторов, если вы заметили снижение мощности инструмента.
2. Никогда не подзаряжайте полностью заряженный блок аккумуляторов. Перезарядка сокращает срок службы аккумулятора.
3. Заряжайте блок аккумуляторов при комнатной температуре в 10 - 40 °C (50 - 104 °F). Перед зарядкой горячего блока аккумуляторов дайте ему остыть.
4. Если блок аккумулятора не используется, извлеките его из инструмента или зарядного устройства.
5. Зарядите ионно-литиевый аккумуляторный блок, если вы не будете пользоваться инструментом длительное время (более шести месяцев).

## ОПИСАНИЕ РАБОТЫ

**ВНИМАНИЕ:** Перед регулировкой или проверкой функций инструмента обязательно убедитесь, что он выключен и его аккумуляторный блок снят.

### Установка или снятие блока аккумулятора

**ВНИМАНИЕ:** Обязательно выключайте инструмент перед установкой и извлечением аккумуляторного блока.

**ВНИМАНИЕ:** При установке и извлечении аккумуляторного блока крепко удерживайте инструмент и аккумуляторный блок. Если не соблюдать это требование, они могут выскользнуть из рук, что приведет к повреждению инструмента, аккумуляторного блока и травмированию оператора.

► **Рис.1:** 1. Красный индикатор 2. Кнопка 3. Блок аккумулятора

Для снятия аккумуляторного блока нажмите кнопку на лицевой стороне и извлеките блок.

Для установки блока аккумулятора совместите выступ блока аккумулятора с пазом в корпусе и задвиньте его на место. Устанавливайте блок до упора так, чтобы он зафиксировался на месте с небольшим щелчком. Если вы можете видеть красный индикатор на верхней части клавиши, блок аккумулятора не полностью зафиксирован на месте.











**ВНИМАНИЕ:** Обязательно устанавливайте блок аккумулятора до конца, чтобы красный индикатор не был виден. В противном случае блок аккумулятора может выпасть из инструмента и нанести травму вам или другим людям.




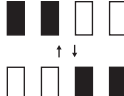
**ВНИМАНИЕ:** Не прилагайте чрезмерных усилий при установке аккумуляторного блока. Если блок не двигается свободно, значит он вставлен неправильно.

### Индикация оставшегося заряда аккумулятора

Нажмите кнопку проверки на аккумуляторном блоке для проверки заряда. Индикаторы загорятся на несколько секунд.

► **Рис.2:** 1. Индикаторы 2. Кнопка проверки

Индикаторы			Уровень заряда
 Горит	 Выкл.	 Мигает	
			от 75 до 100%
			от 50 до 75%
			от 25 до 50%
			от 0 до 25%
			Зарядите аккумуляторную батарею.

Индикаторы			Уровень заряда
 Горит	 Выкл.	 Мигает	
			Возможно, аккумуляторная батарея неисправна.

**ПРИМЕЧАНИЕ:** В зависимости от условий эксплуатации и температуры окружающего воздуха индикация может незначительно отличаться от фактического значения.

**ПРИМЕЧАНИЕ:** Первая (дальняя левая) индикаторная лампа будет мигать во время работы защитной системы аккумулятора.

## Система защиты инструмента/аккумулятора

На инструменте предусмотрена система защиты инструмента/аккумулятора. Она автоматически отключает питание двигателя для продления срока службы инструмента и аккумулятора. Инструмент автоматически остановится во время работы в следующих случаях:

### Защита от перегрузки

Если из-за способа эксплуатации инструмент/аккумулятор потребляет очень большое количество тока, он автоматически остановится без включения каких-либо индикаторов. В этом случае выключите инструмент и прекратите работу, повлекшую перегрузку инструмента. Затем включите инструмент для перезапуска.

### Защита от перегрева

При перегреве инструмента/аккумулятора инструмент останавливается автоматически. Дайте инструменту остыть перед возобновлением работы.

### Защита от переразрядки

При истощении емкости аккумулятора инструмент автоматически останавливается. В этом случае извлеките аккумулятор из инструмента и зарядите его.

## Выключение защитной блокировки

Если постоянно срабатывает защитная система, инструмент блокируется.

В этой ситуации инструмент не запустится даже при выключении и повторном включении. Чтобы выключить защитную блокировку, извлеките аккумулятор, установите его в зарядное устройство и дождитесь окончания зарядки.

### Фиксатор вала

Нажмите на фиксатор вала для предотвращения вращения шпинделя при установке или снятии дополнительных принадлежностей.

► **Рис.3:** 1. Фиксатор вала

**ПРИМЕЧАНИЕ:** Никогда не задействуйте фиксатор вала при вращающемся шпинделе. Это может привести к повреждению инструмента.

## Действие выключателя

**ВНИМАНИЕ:** Перед установкой блока аккумулятора в инструмент обязательно убедитесь, что его рычаг переключателя нормально работает и возвращается в положение “OFF” (ВЫКЛ.) при отпускании.

**ВНИМАНИЕ:** В целях безопасности инструмент оснащен рычагом блокировки в выключенном положении, который предотвращает случайное включение инструмента. **ЗАПРЕЩЕНО** использовать инструмент, если он включается после нажатия рычага переключателя без нажатия рычага разблокировки. **ПРЕКРАТИТЕ** использование инструмента и передайте его в авторизованный сервисный центр для надлежащего ремонта.

**ВНИМАНИЕ:** Не давите сильно на рычаг переключателя, не нажав на рычаг разблокировки. Это может привести к поломке переключателя.

**ВНИМАНИЕ:** **ЗАПРЕЩЕНО** фиксировать рычаг разблокировки при помощи липкой ленты и вносить изменения в его конструкцию.

► **Рис.4:** 1. Рычаг разблокировки 2. Рычаг переключателя

Для предотвращения случайного нажатия рычага переключателя оборудован рычагом разблокировки. Для включения инструмента потяните рычаг разблокировки на себя и нажмите на рычаг переключателя. Для выключения инструмента отпустите рычаг переключателя.

## Функция предотвращения случайного запуска

При установке блока аккумулятора при нажатии рычага переключателя инструмент не запускается. Для включения инструмента предварительно освободите рычаг переключателя. Затем потяните рычаг разблокировки, после этого – рычаг переключателя.

## Функция электронного контроля крутящего момента

С помощью электронного устройства инструмент определяет, что существует риск защемления диска или другой принадлежности. При выявлении таких рисков инструмент автоматически отключается для предотвращения дальнейшего вращения шпинделя (это не предотвращает отдачу).

Чтобы перезапустить инструмент, сначала отключите его. Устраните причину внезапного снижения скорости вращения и вновь включите инструмент.

## Функция плавного запуска

Функция плавного запуска снижает начальный рывок инструмента.

## СБОРКА

**▲ВНИМАНИЕ:** Перед регулировкой или проверкой функций инструмента обязательно убедитесь, что он выключен и его аккумуляторный блок снят.

### Установка боковой ручки (рукоятки)

**▲ВНИМАНИЕ:** Перед работой всегда проверяйте надежность крепления боковой ручки.

Прочно закрепите боковую ручку на месте винтом, как показано на рисунке.

► Рис.5

### Установка или снятие кожуха диска

**▲ОСТОРОЖНО:** При использовании диска с утопленным центром, откидного круга, гибкого диска или дисковой проволочной щетки установите защитный кожух так, чтобы закрытая сторона кожуха была направлена к оператору.

**▲ОСТОРОЖНО:** Убедитесь в том, что кожух диска надежно зафиксирован стопорным рычагом в одном из отверстий на кожухе диска.

**▲ОСТОРОЖНО:** При использовании абразивного отрезного диска/алмазного диска может применяться только специальный защитный кожух, предназначенный для отрезных дисков.

(В некоторых странах Европы при использовании алмазного диска можно применять обычный кожух. Соблюдайте требования нормативов, действующих в вашей стране.)

### Для диска с утопленным центром, откидного круга, гибкого диска, дисковой проволочной щетки / абразивного отрезного диска, алмазного диска

1. Удерживая нажатым стопорный рычаг, установите кожух диска, совместив выступы на кожухе диска с пазами на корпусе подшипника.

► Рис.6: 1. Стопорный рычаг 2. Паз 3. Выступ

2. Удерживая нажатым стопорный рычаг в направлении А, задвиньте кожух диска, удерживая в точках В, как показано на рисунке.

► Рис.7: 1. Кожух диска 2. Отверстие

**ПРИМЕЧАНИЕ:** Надавите на кожух диска в направлении вперед. В противном случае вы не сможете полностью вставить кожух диска.

3. Удерживая стопорный рычаг и кожух диска, как описано на этапе 2, поверните кожух диска в направлении С, после чего измените угол кожуха диска в соответствии с условиями работы, чтобы обеспечить защиту оператора. Совместите стопорный рычаг с одним из отверстий в кожухе диска, после чего отпустите стопорный рычаг, чтобы заблокировать кожух диска.

► Рис.8: 1. Кожух диска 2. Отверстие

**ПРИМЕЧАНИЕ:** Полностью вдавите кожух диска. В противном случае вы не сможете повернуть кожух диска.

Для снятия кожуха диска выполните процедуру установки в обратном порядке.

### Установка и снятие диска с утопленным центром или откидного круга

#### Дополнительные принадлежности

**▲ОСТОРОЖНО:** При использовании диска с утопленным центром или откидного круга кожух диска должен быть установлен так, чтобы его закрытая сторона была обращена к оператору.

**▲ВНИМАНИЕ:** Убедитесь, что крепежный компонент внутреннего фланца идеально совпадает с внутренним диаметром диска с утопленным центром/откидного круга. Установка внутреннего фланца не с той стороны может привести к возникновению опасной вибрации.

Установите на шпindelь внутренний фланец. Убедитесь, что часть с выемкой внутреннего фланца установлена на ровный участок у нижней части шпинделя. Установите диск с утопленным центром/откидной круг на внутренний фланец и закрутите контргайку на шпинделе.

► Рис.9: 1. Контргайка 2. Диск с утопленным центром 3. Внутренний фланец 4. Крепежный компонент

Для затяжки контргайки сильно надавите на фиксатор вала, чтобы шпindelь не проворачивался, затем воспользуйтесь ключом контргайки и крепко затяните ее по часовой стрелке.

► Рис.10: 1. Ключ контргайки 2. Фиксатор вала

Для снятия диска выполните процедуру установки в обратном порядке.

### Установка и снятие гибкого диска

#### Дополнительные принадлежности

**▲ОСТОРОЖНО:** При установке на инструмент гибкого диска обязательно используйте прилагаемый кожух. Во время работы диск может разрушиться. Защитный кожух снизит риск получения травмы.

► Рис.11: 1. Контргайка 2. Гибкий диск 3. Вспомогательная подушка 4. Внутренний фланец

Следуйте указаниям для диска с утопленным центром, а также установите над диском вспомогательную подушку. Порядок сборки дополнительных принадлежностей см. на соответствующей странице данного руководства.

## Установка или снятие абразивного круга

### Дополнительные принадлежности

- **Рис.12:** 1. Шлифовальная контргайка  
2. Абразивный круг 3. Резиновая подушка

1. Установите резиновую подушку на шпиндель.
2. Установите круг на резиновую подушку и наверните на шпиндель шлифовальную контргайку.
3. Закрепите шпиндель с помощью фиксатора вала и надежно затяните шлифовальную контргайку по часовой стрелке с помощью ключа.

Для снятия круга выполните процедуру установки в обратном порядке.

**ПРИМЕЧАНИЕ:** Используйте принадлежности для шлифования, указанные в данном руководстве. Их необходимо приобретать отдельно.

## Установка или снятие гайки Ezynut

### Дополнительные принадлежности

**ВНИМАНИЕ:** Не используйте гайку Ezynut с быстрозажимным фланцем или угловой шлифовальной машиной, в конце модели которой указана буква «F». Толщина этих фланцев слишком велика, поэтому шпиндель не сможет удерживать всю резьбу.

- **Рис.13:** 1. Гайка Ezynut 2. Абразивный диск 3. Внутренний фланец 4. Шпиндель

Установите внутренний фланец, абразивный диск и гайку Ezynut на шпиндель таким образом, чтобы логотип «Makita» на гайке Ezynut был направлен наружу.

- **Рис.14:** 1. Фиксатор вала

Сильно нажмите на фиксатор вала и затяните гайку Ezynut, повернув абразивный диск по часовой стрелке до упора.

Чтобы ослабить гайку Ezynut, поверните ее внешней кольце против часовой стрелки.

- **Рис.15:** 1. Стрелка 2. Выемка

- **Рис.16**

**ПРИМЕЧАНИЕ:** Пока стрелка указывает на выемку, гайку Ezynut можно ослабить вручную. В противном случае необходим ключ для контргайки, чтобы ослабить ее. Вставьте один штифт ключа в отверстие и поверните Ezynut против часовой стрелки.

## Установка абразивного отрезного/ алмазного диска

### Дополнительные принадлежности

**ОСТОРОЖНО:** При использовании абразивного отрезного диска/алмазного диска может применяться только специальный защитный кожух, предназначенный для отрезных дисков.

(В некоторых странах Европы при использовании алмазного диска можно применять обычный кожух. Соблюдайте требования нормативов, действующих в вашей стране.)

**ОСТОРОЖНО: ЗАПРЕЩАЕТСЯ** использовать отрезной диск для шлифовки боковой поверхностью.

- **Рис.17:** 1. Контргайка 2. Абразивный отрезной диск/алмазный диск 3. Внутренний фланец 4. Защитный кожух для абразивного отрезного диска/алмазного диска

Сведения по установке см. в инструкциях к диску с утопленным центром.

**Направление установки контргайки и внутреннего фланца зависит от толщины и типа диска.** Придерживайтесь следующих значений.

**При установке абразивного отрезного диска:**

- **Рис.18:** 1. Контргайка 2. Абразивный отрезной диск (тоньше 4 мм (5/32 дюйма)) 3. Абразивный отрезной диск (4 мм (5/32 дюйма) или толще) 4. Внутренний фланец

**При установке алмазного диска:**

- **Рис.19:** 1. Контргайка 2. Алмазный диск (тоньше 4 мм (5/32 дюйма)) 3. Алмазный диск (4 мм (5/32 дюйма) или толще) 4. Внутренний фланец

## Установка чашечной проволочной щетки

### Дополнительные принадлежности

**ВНИМАНИЕ:** Не используйте поврежденную или разбалансированную щетку. Использование поврежденной щетки может увеличить опасность получения травм от контакта с проволочкой.

- **Рис.20:** 1. Чашечная проволочная щетка

Извлеките блок аккумулятора из инструмента и положите шпинделем вверх, чтобы обеспечить легкий доступ к шпинделю.

Снимите со шпинделя все дополнительные принадлежности. Наверните проволочную чашечную щетку на шпиндель и затяните прилагаемым ключом.

## Установка дисковой проволочной щетки

### Дополнительные принадлежности

**⚠ВНИМАНИЕ:** Не используйте поврежденную или разбалансированную дисковую проволочную щетку. Использование поврежденной дисковой проволочной щетки может увеличить риск получения травм от контакта с проволокой.

**⚠ВНИМАНИЕ:** При работе с дисковой проволочной щеткой **ВСЕГДА** используйте защитный кожух, убедившись, что диаметр диска соответствует внутреннему диаметру кожуха. Во время работы диск может разрушиться. Защитный кожух снизит риск получения травмы.

► Рис.21: 1. Дисковая проволочная щетка

Извлеките блок аккумулятора из инструмента и положите шпинделем вверх, чтобы обеспечить легкий доступ к шпинделю.

Снимите со шпинделя все дополнительные принадлежности. Установите дисковую проволочную щетку на шпиндель и затяните ее с помощью ключей.

## ЭКСПЛУАТАЦИЯ

**⚠ОСТОРОЖНО:** Никогда не прилагайте к инструменту чрезмерные усилия. Вес инструмента обеспечивает достаточное давление. Чрезмерное усилие и давление могут привести к опасному разрушению диска.

**⚠ОСТОРОЖНО:** **ОБЯЗАТЕЛЬНО** замените диск, если при шлифовании инструмент упал.

**⚠ОСТОРОЖНО:** ЗАПРЕЩАЕТСЯ стучать и бить шлифовальным кругом по обрабатываемой детали.

**⚠ОСТОРОЖНО:** Избегайте подпрыгивания и зацепления диска, особенно при обработке углов, острых краев и т. д. Это может привести к потере контроля и отдаче.

**⚠ОСТОРОЖНО:** Запрещается использовать инструмент с полотнами для обработки дерева или другими пыльными дисками. При использовании на шлифмашине такие диски часто выскакивают, выходят из-под контроля и приводят к травмам.

**⚠ВНИМАНИЕ:** Запрещается включать инструмент, если он касается обрабатываемого изделия. Это может стать причиной травмы оператора.

**⚠ВНИМАНИЕ:** Во время выполнения операции всегда надевайте защитные очки или защитную маску.

**⚠ВНИМАНИЕ:** После работы всегда отключайте инструмент и дождитесь полной остановки диска перед тем, как положить инструмент.

**⚠ВНИМАНИЕ:** **ВСЕГДА** крепко держите инструмент, положив одну руку на корпус, а вторую - на боковую ручку (рукоятку).

## Шлифовка и зачистка

► Рис.22

Включите инструмент, а затем прижмите диск или круг к обрабатываемой детали. Обычно следует держать край диска или круга под углом около 15 градусов относительно поверхности обрабатываемой детали.

В период приработки нового диска не перемещайте шлифмашину вперед, поскольку диск может врезаться в обрабатываемую деталь. После того как кромка диска закружится от использования, можно будет перемещать его в обоих направлениях (вперед и назад).

## Выполнение работ с абразивным отрезным/алмазным диском

### Дополнительные принадлежности

**⚠ОСТОРОЖНО:** Не “заклинивайте” диск и не оказывайте на него чрезмерное давление. Не пытайтесь делать слишком глубокий разрез. Чрезмерное давление на диск увеличивает нагрузку и вероятность искривления или застревания диска в прорези, а также возможность отдачи, поломки диска и перегрева электродвигателя.

**⚠ОСТОРОЖНО:** Не запускайте отрезной диск, пока он находится в детали. Дайте диску раскрутиться до максимальной скорости, а затем осторожно введите в разрез, перемещая инструмент вперед по поверхности обрабатываемой детали. Диск может застрять, отдача может отбросить его вверх или назад, если запустить электроинструмент, когда диск находится в детали.

**⚠ОСТОРОЖНО:** Во время операций резания нельзя менять угол наклона диска. Боковое давление на отрезной диск (как при шлифовке) приводит к растрескиванию и разрушению диска, в результате чего возможны серьезные травмы.

**⚠ОСТОРОЖНО:** Работы с алмазным диском необходимо выполнять, удерживая его перпендикулярно рабочей поверхности.

Пример использования: применение абразивного отрезного диска

► Рис.23

Пример использования: применение алмазного диска

► Рис.24



## Операции с чашечной проволочной щеткой

### Дополнительные принадлежности

**⚠ ВНИМАНИЕ:** Проверьте работу щетки, запустив инструмент на холостом ходу, предварительно убедившись, что никто не находится перед ним или на одной линии со щеткой.

**ПРИМЕЧАНИЕ:** Не прилагайте слишком большое давление, поскольку это может привести к изгибанию проволоки во время использования чашечной проволочной щетки. Это может стать причиной преждевременной поломки.

Пример использования: применение чашечной проволочной щетки

► Рис.25

## Работа с дисковой проволочной щеткой

### Дополнительные принадлежности

**⚠ ВНИМАНИЕ:** Проверьте работу дисковой проволочной щетки, запустив инструмент на холостом ходу и предварительно убедившись, что никто не находится перед ним или на одной линии с дисковой проволочной щеткой.

**ПРИМЕЧАНИЕ:** Не прилагайте слишком большое давление, так как оно может привести к тому, что проволока погнется во время использования дисковой проволочной щетки. Это может стать причиной преждевременной поломки.

Пример использования: применение дисковой проволочной щетки

► Рис.26

## ОБСЛУЖИВАНИЕ

**⚠ ВНИМАНИЕ:** Перед проведением проверки или работ по техобслуживанию всегда проверяйте, что инструмент выключен, а блок аккумуляторов снят.

**ПРИМЕЧАНИЕ:** Запрещается использовать бензин, растворители, спирт и другие подобные жидкости. Это может привести к обесцвечиванию, деформации и трещинам.

Для обеспечения БЕЗОПАСНОСТИ и НАДЕЖНОСТИ оборудования, ремонт, любое другое техобслуживание или регулировку необходимо производить в уполномоченных сервис-центрах Makita, с использованием только сменных частей производства Makita.

## Очистка вентиляционного отверстия

Инструмент и его вентиляционные отверстия должны содержаться в чистоте. Производите регулярную очистку вентиляционных отверстий инструмента или очищайте их в случае засорения.

► Рис.27: 1. Вытяжное отверстие 2. Впускное вентиляционное отверстие

Снимите пылезащитную крышку с впускного вентиляционного отверстия и очистите ее, чтобы обеспечить свободное прохождение воздуха.

► Рис.28: 1. Пылезащитный кожух

**ПРИМЕЧАНИЕ:** При засорении пылезащитного кожуха пылью или посторонними веществами очистите его. Продолжение эксплуатации с засоренным пылезащитным кожухом приведет к повреждению инструмента.

## ДОПОЛНИТЕЛЬНЫЕ ПРИНАДЛЕЖНОСТИ

**▲ ВНИМАНИЕ:** Данные принадлежности или приспособления рекомендуются для использования с инструментом Makita, указанным в настоящем руководстве. Использование других принадлежностей или приспособлений может привести к получению травмы. Используйте принадлежность или приспособление только по указанному назначению.

Если вам необходимо содействие в получении дополнительной информации по этим принадлежностям, свяжитесь с вашим сервис-центром Makita.

- Оригинальный аккумулятор и зарядное устройство Makita

► **Рис.29**

-	Модель 150 мм (6 дюймов)
1	Рукоятка 36
2	Кожух диска (для шлифовального диска)
3	Внутренний фланец
4	Диск с утопленным центром/откидной круг
5	Контргайка
6	Вспомогательная подушка
7	Гибкий диск
8	Резиновая подушка 125
9	Абразивный круг
10	Шлифовальная контргайка
11	Дисковая проволочная щетка
12	Чашечная проволочная щетка
13	Кожух диска (для отрезного диска) *1
14	Абразивный отрезной диск / алмазный диск
-	Ключ контргайки

**ПРИМЕЧАНИЕ:** \*1 В некоторых странах Европы при использовании алмазного диска можно использовать обычный кожух вместо специального, закрывающего обе стороны диска. Соблюдайте требования нормативов, действующих в вашей стране.

**ПРИМЕЧАНИЕ:** Некоторые элементы списка могут входить в комплект инструмента в качестве стандартных приспособлений. Они могут отличаться в зависимости от страны.



**Makita Europe N.V.** Jan-Baptist Vinkstraat 2,  
3070 Kortenberg, Belgium

**Makita Corporation** 3-11-8, Sumiyoshi-cho,  
Anjo, Aichi 446-8502 Japan

[www.makita.com](http://www.makita.com)

885824-964  
EN, SL, SQ, BG,  
HR, MK, SR, RO,  
UK, RU  
20200904