

**Robert Bosch Power Tools GmbH**  
70538 Stuttgart  
GERMANY

[www.bosch-pt.com](http://www.bosch-pt.com)

**1 609 92A 302** (2015.12) T / 80



1 609 92A 302

## GLL 5-50 X Professional

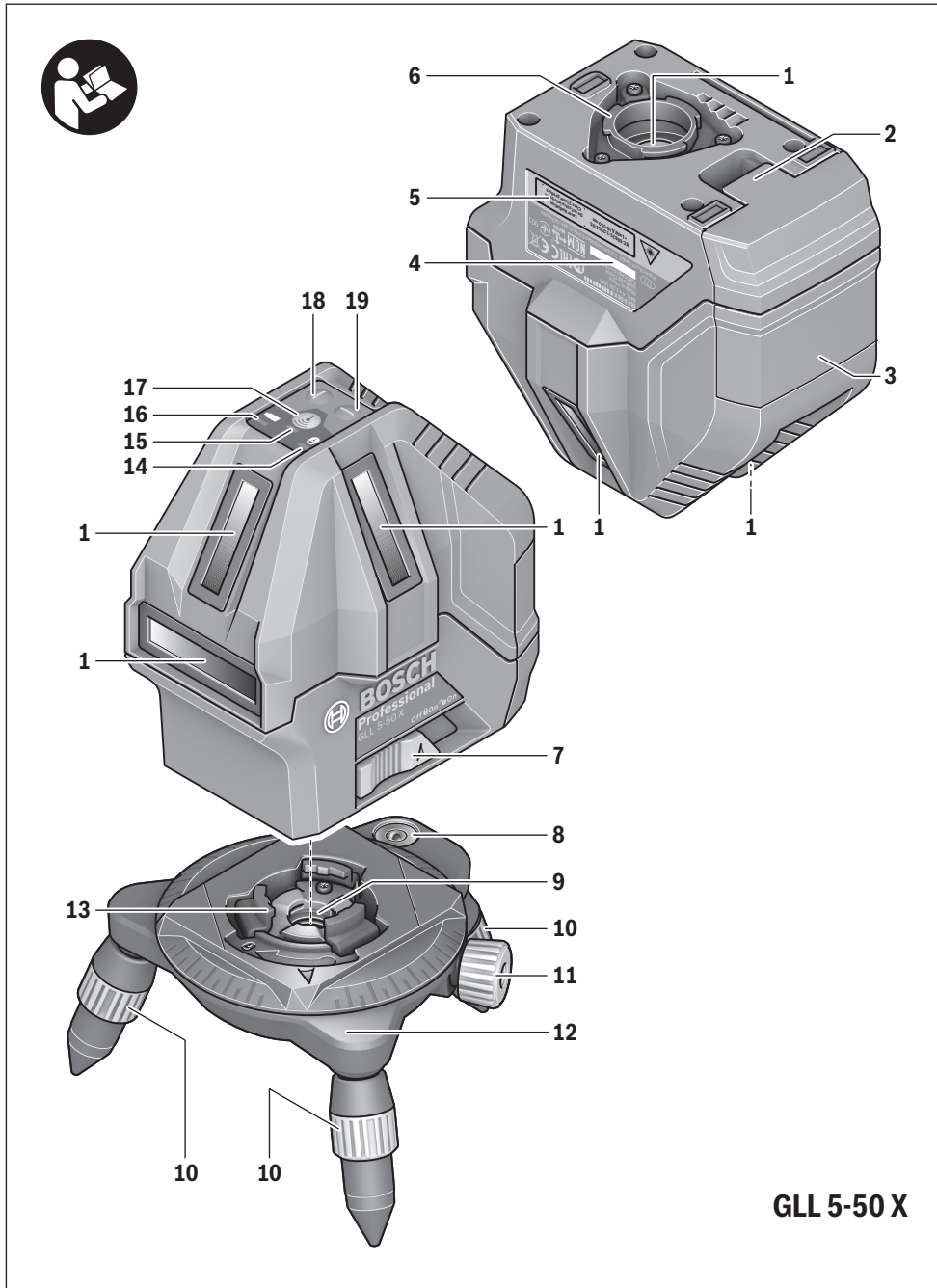


**en** Original instructions  
**fr** Notice originale  
**es** Manual original  
**pt** Manual original  
**tr** Orijinal işletme talimatı  
**ru** Оригинальное руководство по эксплуатации

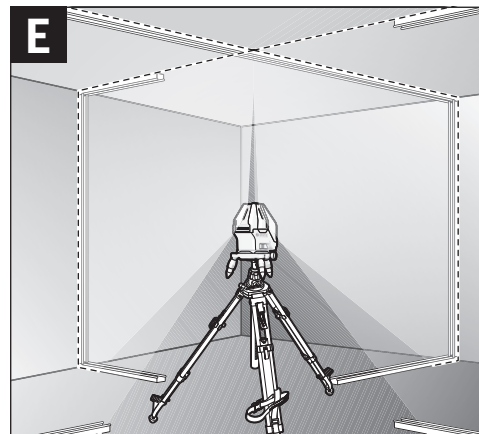
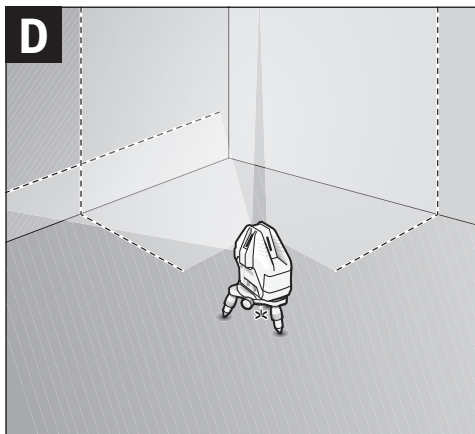
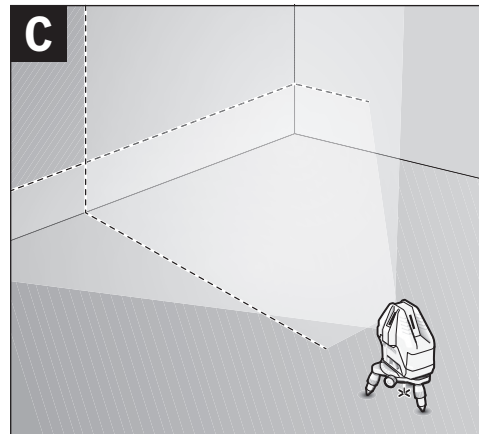
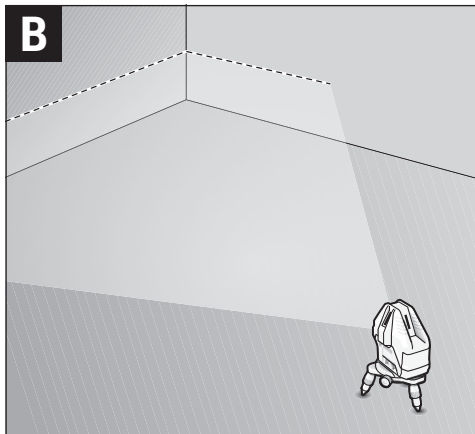
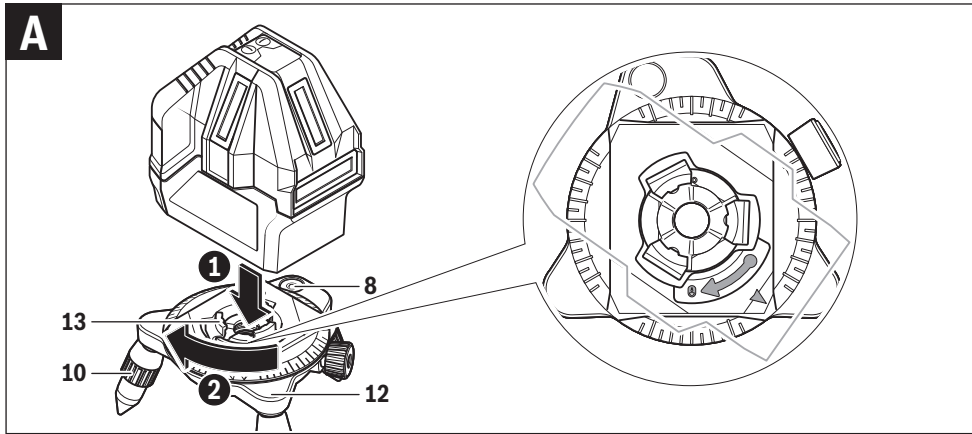
**uk** Оригінальна інструкція з експлуатації  
**kk** Пайдалану нұсқаулығының түпнұсқасы  
**mk** Оригиналнo упатство за работа  
**sr** Originalno uputstvo za rad  
**ar** تعليمات التشغيل الأصلية  
**fa** دفترچه راهنمای اصلی



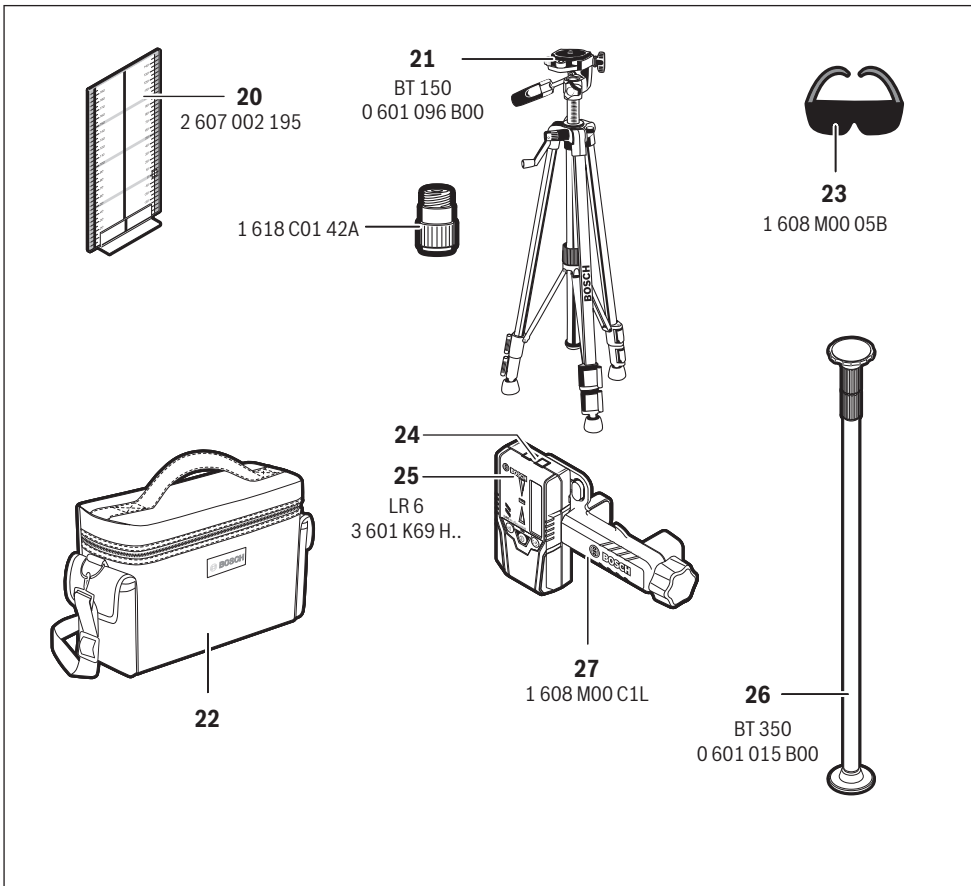
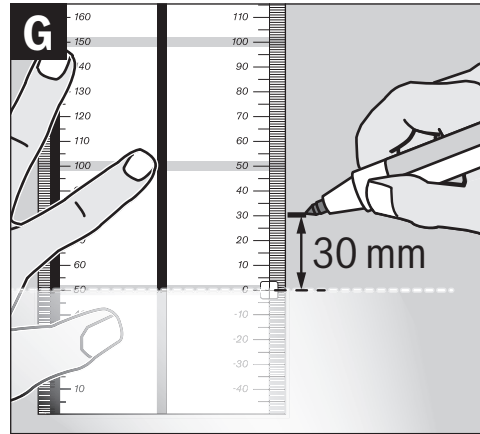
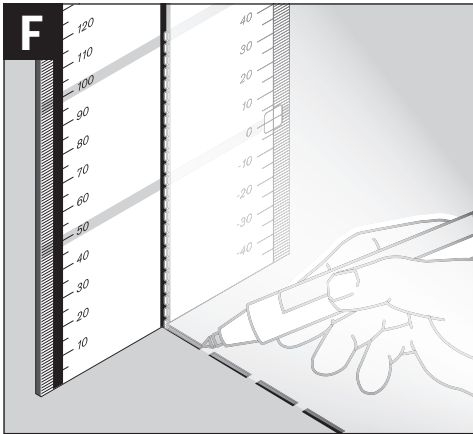
English .....	Page 6
Français .....	Page 12
Español .....	Página 18
Português .....	Página 24
Türkçe .....	Sayfa 30
Русский .....	Страница 37
Українська .....	Сторінка 44
Қазақша .....	Бет 50
Македонски .....	Страна 56
Srpski .....	Strana 62
عربي .....	صفحة 68
فارسی .....	صفحه 74



4 |







## English

### Safety Notes



All instructions must be read and observed in order to work safely with the measuring tool. The integrated protections in the measuring tool may be compromised if the measuring tool is not used in accordance with the instructions provided. Never make warning signs on the measuring tool unrecognisable. **STORE THESE INSTRUCTIONS IN A SAFE PLACE AND INCLUDE THEM WITH THE MEASURING TOOL WHEN GIVING IT TO A THIRD PARTY.**

- ▶ **Caution** – The use of other operating or adjusting equipment or the application of other processing methods than those mentioned here can lead to dangerous radiation exposure.
- ▶ The measuring tool is provided with a warning label (marked with number 5 in the representation of the measuring tool on the graphics page).



- ▶ If the text of the warning label is not in your national language, stick the provided warning label in your national language over it before operating for the first time.



**Do not direct the laser beam at persons or animals and do not stare into the direct or reflected laser beam yourself, not even from a distance.** You could blind somebody, cause accidents or damage your eyes.

- ▶ If laser radiation strikes your eye, you must deliberately close your eyes and immediately turn your head away from the beam.
- ▶ Do not make any modifications to the laser equipment.
- ▶ Do not use the laser viewing glasses as safety goggles. The laser viewing glasses are used for improved visualisation of the laser beam, but they do not protect against laser radiation.
- ▶ Do not use the laser viewing glasses as sun glasses or in traffic. The laser viewing glasses do not afford complete UV protection and reduce colour perception.
- ▶ Have the measuring tool repaired only through qualified specialists using original spare parts. This ensures that the safety of the measuring tool is maintained.
- ▶ Do not allow children to use the laser measuring tool without supervision. They could unintentionally blind other persons or themselves.
- ▶ Do not operate the measuring tool in explosive environments, such as in the presence of flammable liquids, gases or dusts. Sparks can be created in the measuring tool which may ignite the dust or fumes.



**Keep the measuring tool and the laser receiver 25 away from cardiac pacemakers.**

The magnet inside the measuring tool and the magnet plate 24 of the laser receiver generates a field that can impair the function of cardiac pacemakers.

- ▶ **Keep the measuring tool and the laser receiver 25 away from magnetic data media and magnetically-sensitive equipment.** The effect of the magnets can lead to irreversible data loss.

## Product Description and Specifications

### Intended Use

The measuring tool is intended for levelling jobs with the use of horizontal lines, vertical lines and the plumb point.

### Product Features

The numbering of the product features shown refers to the illustration of the measuring tool on the graphic page.

- 1 Exit opening for laser beam
- 2 Latch of battery lid
- 3 Battery lid
- 4 Serial number
- 5 Laser warning label
- 6 Locking grooves of measuring tool
- 7 On/Off switch
- 8 Vial of rotating platform
- 9 Tripod mount 5/8"
- 10 Height adjustment screw of rotating platform
- 11 Fine adjustment knob of rotating platform
- 12 Rotating platform
- 13 Locking grooves of rotating platform
- 14 Working without automatic levelling indicator
- 15 Pulse-function indicator
- 16 Power indicator/Battery warning
- 17 Pulse-function button
- 18 Vertical mode button
- 19 Horizontal mode button
- 20 Measuring plate with stand\*
- 21 Tripod\*
- 22 Protective pouch
- 23 Laser viewing glasses\*
- 24 Magnet plate\*
- 25 Laser receiver\*
- 26 Telescopic rod\*
- 27 Holder\*

\* The accessories illustrated or described are not included as standard delivery.

## Technical Data

Line laser		GLL 5-50 X	
Article number		3 601 K63 N..	
Working range <sup>1)</sup>			
– Standard laser lines	m	15	
– with pulse function	m	10	
– with laser receiver	m	5–50	
– Plumb point	m	5	
Levelling accuracy of laser lines, typically <sup>2)</sup>	mm/m	± 0.2	
Self-levelling range, typically	°	± 3	
Levelling duration, typically	s	< 4	
Operating temperature	°C	– 10 ... + 45	
Storage temperature	°C	– 20 ... + 70	
Relative air humidity, max.	%	90	
Laser class		2	
Laser type	nm	630–650	
	mW	< 1	
C <sub>6</sub>		1	
Shortest pulse duration	ms	1.25	
Tripod Mount <sup>3)</sup>	"	5/8	
Batteries		4 x 1.5 VLR6 (AA)	
Operating time, approx.			
– with 1 laser line	h	24	
– with 2 laser lines	h	14	
– with 3 laser lines	h	10	
– with 5 laser lines	h	6	
Weight according to EPTA-Procedure 01:2014	kg	0.54	
Dimensions (length x width x height)			
– without rotating platform	mm	122 x 83 x 129	
– with rotating platform	mm	Ø 151 x 203	
Degree of protection (excluding battery compartment)		IP 54*	
1) The working range can be decreased by unfavourable environmental conditions (e.g. direct sun irradiation).			
2) ex-works			
3) only available in combination with the rotating platform			
* dust and splash proof			
The measuring tool can be clearly identified with the serial number 4 on the type plate.			

## Assembly

### Inserting/Replacing the Batteries

Alkali-manganese batteries are recommended for the measuring tool.

To open the battery lid **3**, press on the latch **2** and remove the battery lid. Insert the batteries. When inserting, pay attention to the correct polarity according to the representation on the inside of the battery compartment.

If the battery warning **16** flashes, the batteries have to be replaced.

Always replace all batteries at the same time. Only use batteries from one brand and with the identical capacity.

► **Remove the batteries from the measuring tool when not using it for extended periods.** When storing for extended periods, the batteries can corrode and self-discharge.

### Using the Rotating Platform (see figure A)

Place the measuring tool on the tool mount of the rotating platform **12** so that the locking grooves **13** of the rotating platform fit between the corresponding grooves **6** on the bottom of the measuring tool. Turn the measuring tool clockwise to lock it on the rotating platform.

Extend the legs of the rotating platform using the height adjustment screws **10**. Roughly align the rotating platform using the vial **8**.

## Operation

### Initial Operation

► **Protect the measuring tool against moisture and direct sun light.**

► **Do not subject the measuring tool to extreme temperatures or variations in temperature.** As an example, do not leave it in vehicles for a long time. In case of large variations in temperature, allow the measuring tool to adjust to the ambient temperature before putting it into operation. In case of extreme temperatures or variations in temperature, the accuracy of the measuring tool can be impaired.

► **Avoid heavy impact or falling of the measuring tool.** After heavy exterior impact on the measuring tool, an accuracy check should always be carried out before continuing to work (see "Levelling Accuracy").

► **Switch the measuring tool off during transport.** When switching off, the levelling unit, which can be damaged in case of intense movement, is locked.

### Switching On and Off

To **switch on** the measuring tool, slide the on/off switch **7** to the "On" position (for working without automatic levelling) or to the "On" position (for working with automatic levelling). The power indicator **16** lights up and the measuring tool immediately sends a horizontal laser line out of the front exit opening **1**.

► **Do not point the laser beam at persons or animals and do not look into the laser beam yourself, not even from a large distance.**

To **switch off** the measuring tool, slide the on/off switch **7** to the "Off" position. The power indicator **16** goes out. The pendulum unit is locked when the tool is switched off.

When exceeding the maximum permitted operating temperature of 45 °C, the measuring tool switches off to protect the laser diode. After cooling down, the measuring tool is ready for operation and can be switched on again.

## 8 | English

**Deactivating the Automatic Shut-off**

The measuring tool automatically switches itself off after 30 minutes of operation. To deactivate the automatic shut-off, hold down either the vertical mode button **18** or the horizontal mode button **19** for 3 seconds when switching on the measuring tool. The laser lines will flash briefly after 3 seconds if the automatic shut-off is deactivated.

► **Do not leave the switched-on measuring tool unattended and switch the measuring tool off after use.** Other persons could be blinded by the laser beam.

To activate the automatic shut-off, switch the measuring tool off and on again (without holding down a button).

**Operation Modes (see figures B – D)**

The horizontal and vertical modes can be switched on and off independently of each other. All operation modes can be used both with and without automatic levelling.

**Horizontal operation**

After it has been switched on, the measuring tool is in horizontal mode and emits a horizontal laser line forwards.

To switch the horizontal laser line off or on, press the horizontal mode **19** button.

**Vertical mode and plumb point**

The measuring tool has multiple vertical operation modes:

- vertical laser line forwards
- vertical laser line forwards and to the left-hand side
- vertical laser line forwards and backwards
- vertical laser lines to all four sides

A plumb point is additionally projected downwards in all vertical operation modes.

To switch the vertical mode on/off or to change the vertical operation mode, press the vertical mode **18** button repeatedly until the required operation mode is reached.

If the measuring tool is mounted on the rotating platform **12**, you can precisely align the vertical laser lines to reference points using the fine adjustment knob **11**.

**Pulse Function**

When working with the laser receiver **25**, the pulse function must be activated, – independent of the selected operating mode.

In pulse function, the laser lines flash at very high frequency and thus become detectable by the laser receiver **25**.

To switch on the pulse function, press button **17**. When the pulse function is switched on, the pulse-function indicator **15** lights up red.

When the pulse function is switched on, the visibility of the laser lines is reduced for the human eye. Therefore, shut off the pulse function by pushing button **17** again when working without laser receiver. When the pulse function is switched off, the pulse-function indicator **15** is deactivated.

**Automatic Levelling****Working with Automatic Levelling**

Position the measuring tool on a level, firm support or attach it to the rotating platform **12**.

When working with automatic levelling, push the On/Off switch **7** to the “**On**” position.

After switching on, the levelling function automatically compensates irregularities within the self-levelling range of  $\pm 3^\circ$ . The levelling is finished as soon as the laser beams do not move any more.

If automatic levelling is not possible, e.g. because the surface on which the measuring tool stands deviates by more than  $3^\circ$  from the horizontal plane, the laser lines will begin to flash quickly.

Set up the measuring tool in a level position and wait for the self-levelling to take place. As soon as the measuring tool is within the self-levelling range of  $\pm 3^\circ$ , the laser lines will light up continuously.

In case of ground vibrations or position changes during operation, the measuring tool is automatically levelled again. Upon re-levelling, check the position of the laser lines with regard to the reference points to avoid errors.

**Working without Automatic Levelling**

For work without automatic levelling, slide the on/off switch **7** to the “**On**” position. When automatic levelling is switched off, the indicator **14** lights up red and the laser lines continuously flash slowly.

When automatic levelling is switched off, you can hold the measuring tool freely in your hand or place it on an inclined surface. The laser lines no longer necessarily run perpendicular to each other.

**Levelling Accuracy****Influences on Accuracy**

The ambient temperature has the greatest influence. Especially temperature differences occurring from the ground upward can divert the laser beam.

As thermal fluctuation is largest close to the ground, the measuring tool, if possible, should be mounted on the tripod **21** and placed in the centre of the working area.

In addition to external influences, device-specific influences (e.g. falls or heavy impacts) can also lead to deviations. For this reason, check the levelling accuracy each time before beginning work.

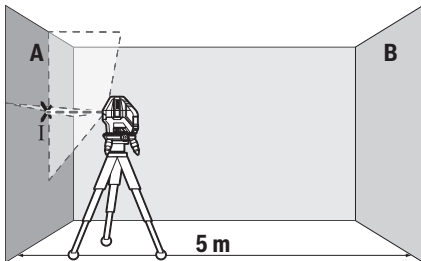
First check the height accuracy and levelling accuracy of the horizontal laser line, then the levelling accuracy of the vertical laser lines.

Should the measuring tool exceed the maximum deviation during one of the tests, please have it repaired by a Bosch after-sales service.

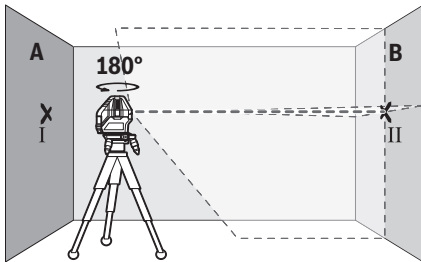
### Checking the Height Accuracy of the Horizontal Line

For this check, a free measuring distance of 5 m on a firm surface between two walls A and B is required.

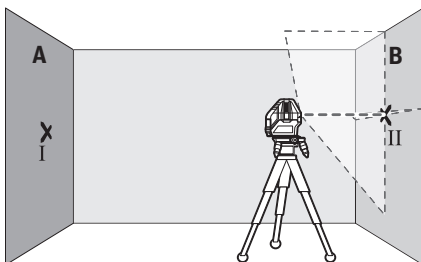
- Mount the measuring tool close to wall A on the rotating platform or a tripod, or place it on a firm, flat surface. Switch on the measuring tool in the mode with automatic levelling. Switch on horizontal mode and any vertical operation mode.



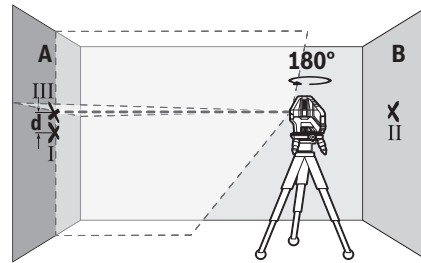
- Direct the laser against the close wall A and allow the measuring tool to level in. Mark the centre of the point where the laser lines cross each other on the wall (point I).



- Turn the measuring tool by 180°, allow it to level in and mark the cross point of the laser lines on the opposite wall B (point II).
- Without turning the measuring tool, position it close to wall B. Switch the measuring tool on and allow it to level in.



- Align the height of the measuring tool (using a tripod or by underlaying, if required) in such a manner that the cross point of the laser lines is projected against the previously marked point II on the wall B.



- Without changing the height, turn around the measuring tool by 180°. Direct it against the wall A in such a manner that the vertical laser line runs through the already marked point I. Allow the measuring tool to level in and mark the cross point of the laser lines on the wall A (point III).
- The difference  $d$  of both marked points I and III on wall A indicates the actual height deviation of the measuring tool.

The maximum permitted deviation  $d_{max}$  can be calculated as follows:

$$d_{max} = \text{double the distance between the walls} \times 0.2 \text{ mm/m}$$

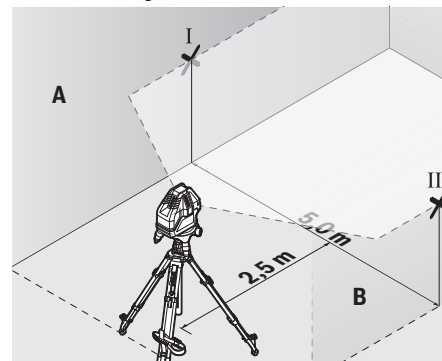
Example: If the distance between the walls is 5 m, the maximum deviation is

$$d_{max} = 2 \times 5 \text{ m} \times 0.2 \text{ mm/m} = 2 \text{ mm. The marks must therefore be maximum 2 mm apart.}$$

### Checking the Levelling Accuracy of the Horizontal Line

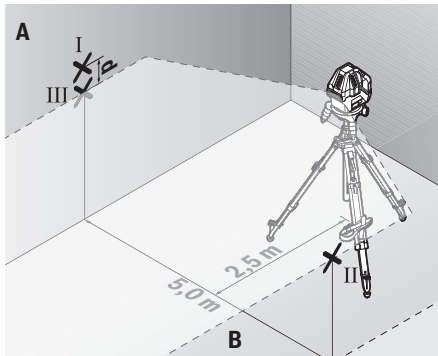
For the check, a free surface of approx. 5 x 5 metres is required.

- Mount the measuring tool in the middle between walls A and B on the rotating platform or a tripod, or place it on a firm, flat surface. Switch on the measuring tool in the mode with automatic levelling. Switch on horizontal mode and allow the measuring tool to level in.



- At a distance of 2.5 metres from the measuring tool, mark the centre of the laser line (point I on wall A and point II on wall B) on both walls.

## 10 | English



- Set up the measuring tool 5 metres away turned by 180° and allow it to level in.
- Align the height of the measuring tool (using a tripod or by underlaying, if required) in such a manner that the centre of the laser line is projected exactly against the previously marked point II on wall B.
- Mark the centre of the laser line as point III (vertically above or below point I) on the wall A.
- The difference  $d$  of both marked points I and III on wall A indicates the actual deviation of the measuring tool from the level plane.

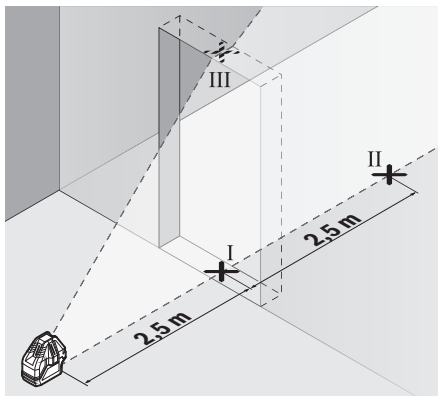
The maximum permitted deviation  $d_{\max}$  can be calculated as follows:

$d_{\max} = \text{double the distance between the walls} \times 0.2 \text{ mm/m}$   
 Example: If the distance between the walls is 5 m, the maximum deviation is  
 $d_{\max} = 2 \times 5 \text{ m} \times 0.2 \text{ mm/m} = 2 \text{ mm}$ . The marks must therefore be maximum 2 mm apart.

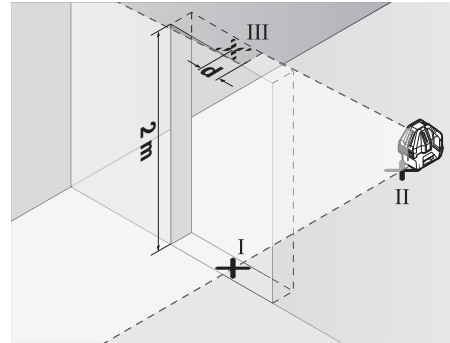
#### Checking the Levelling Accuracy of the Vertical Lines

For this check, a door opening is required with at least 2.5 m of space (on a firm surface) to each side of the door.

- Place the measuring tool 2.5 m away from the door opening on a firm, flat surface (not on the rotating platform or a tripod). Switch on the measuring tool in the mode with automatic levelling. Switch on vertical mode with all vertical laser lines and aim the front vertical laser line at the door opening. Allow the measuring tool to level in.



- Mark the centre of the vertical laser line at the floor of the door opening (point I), at a distance of 5 m beyond the other side of the door opening (point II) and at the upper edge of the door opening (point III).



- Position the measuring tool on the other side of the door opening directly behind point II. Allow the measuring tool to level in and align the vertical laser line in such a manner that its centre runs exactly through points I and II.
- The difference  $d$  between point III and the centre of the laser line at the upper edge of the door opening results in the actual deviation of the measuring tool from the vertical plane.
- Measure the height of the door opening.

The maximum permitted deviation  $d_{\max}$  can be calculated as follows:

$d_{\max} = \text{double the height of the door opening} \times 0.2 \text{ mm/m}$   
 Example: If the height of the door opening is 2 m, the maximum deviation is  
 $d_{\max} = 2 \times 2 \text{ m} \times 0.2 \text{ mm/m} = 0.8 \text{ mm}$ . The marks must therefore be maximum 0.8 mm apart.

#### Working Advice

- **For marking, always use only the centre of the laser point or the laser line.** The size of the laser point as well as the width of the laser line change with distance.

#### Laser Viewing Glasses (Accessory)

The laser viewing glasses filter out the ambient light. This makes the red light of the laser appear brighter for the eyes.

- **Do not use the laser viewing glasses as safety goggles.** The laser viewing glasses are used for improved visualisation of the laser beam, but they do not protect against laser radiation.
- **Do not use the laser viewing glasses as sun glasses or in traffic.** The laser viewing glasses do not afford complete UV protection and reduce colour perception.

**Working with the Laser Receiver (Accessory)**

Under unfavourable light conditions (bright environment, direct sunlight) and for larger distances, use the laser receiver for improved finding of the laser lines **25**. When working with the laser receiver, switch the pulse function on (see "Pulse Function", page 8).

**Working with the Tripod (Accessory) (see figure E)**

A tripod offers a stable, height-adjustable support surface for measuring. Mount the measuring tool on the rotating platform **12**. Place the rotating platform with the 5/8" tripod mount **9** on the thread of the tripod **21** or a conventional building tripod. Tighten the rotating platform using the locking screw of the tripod.

**Working with the Measuring Plate (Accessory) (see figure F – G)**

With the measuring plate **20**, it is possible to project the laser mark onto the floor or the laser height onto a wall.

With the zero field and the scale, the offset or drop to the required height can be measured and projected at another location. This eliminates the necessity of precisely adjusting the measuring tool to the height to be projected.

The measuring plate **20** has a reflective coating that enhances the visibility of the laser beam at greater distances or in intense sunlight. The brightness intensification can be seen only when viewing, parallel to the laser beam, onto the measuring plate.

**Work Examples (see figures B – E)**

Applicational examples for the measuring tool can be found on the graphics pages.

**Maintenance and Service****Maintenance and Cleaning**

Store and transport the measuring tool only in the supplied protective pouch.

Keep the measuring tool clean at all times.

Do not immerse the measuring tool in water or other fluids.

Wipe off debris using a moist and soft cloth. Do not use any cleaning agents or solvents.

Regularly clean the surfaces at the exit opening of the laser in particular, and pay attention to any fluff or fibres.

In case of repairs, send in the measuring tool packed in its protective pouch **22**.

**After-sales Service and Application Service**

Our after-sales service responds to your questions concerning maintenance and repair of your product as well as spare parts. Exploded views and information on spare parts can also be found under:

**www.bosch-pt.com**

Bosch's application service team will gladly answer questions concerning our products and their accessories.

In all correspondence and spare parts orders, please always include the 10-digit article number given on the nameplate of the product.

**Great Britain**

Robert Bosch Ltd. (B.S.C.)  
P.O. Box 98  
Broadwater Park  
North Orbital Road  
Denham  
Uxbridge  
UB 9 5HJ

At [www.bosch-pt.co.uk](http://www.bosch-pt.co.uk) you can order spare parts or arrange the collection of a product in need of servicing or repair.

Tel. Service: (0344) 7360109

E-Mail: [boschservicecentre@bosch.com](mailto:boschservicecentre@bosch.com)

**Ireland**

Origo Ltd.  
Unit 23 Magna Drive  
Magna Business Park  
City West  
Dublin 24  
Tel. Service: (01) 4666700  
Fax: (01) 4666888

**Australia, New Zealand and Pacific Islands**

Robert Bosch Australia Pty. Ltd.  
Power Tools  
Locked Bag 66  
Clayton South VIC 3169  
Customer Contact Center  
Inside Australia:  
Phone: (01300) 307044  
Fax: (01300) 307045  
Inside New Zealand:  
Phone: (0800) 543353  
Fax: (0800) 428570  
Outside AU and NZ:  
Phone: +61 3 95415555  
[www.bosch.com.au](http://www.bosch.com.au)

**Republic of South Africa****Customer service**

Hotline: (011) 6519600

**Gauteng – BSC Service Centre**

35 Roper Street, New Centre  
Johannesburg  
Tel.: (011) 4939375  
Fax: (011) 4930126  
E-Mail: [bsctools@icon.co.za](mailto:bsctools@icon.co.za)

**KZN – BSC Service Centre**

Unit E, Almar Centre  
143 Crompton Street  
Pinetown  
Tel.: (031) 7012120  
Fax: (031) 7012446  
E-Mail: [bsc.dur@za.bosch.com](mailto:bsc.dur@za.bosch.com)

**Western Cape – BSC Service Centre**

Democracy Way, Prosperity Park  
Milnerton  
Tel.: (021) 5512577  
Fax: (021) 5513223  
E-Mail: [bsc@zsd.co.za](mailto:bsc@zsd.co.za)



## 12 | Français

**Bosch Headquarters**

Midrand, Gauteng  
 Tel.: (011) 6519600  
 Fax: (011) 6519880  
 E-Mail: rbsa-hq.pts@za.bosch.com

**Disposal**

Measuring tools, accessories and packaging should be sorted for environmental-friendly recycling.

Do not dispose of measuring tools and batteries/rechargeable batteries into household waste!

**Only for EC countries:**

According to the European Guideline 2012/19/EU, measuring tools that are no longer usable, and according to the European Guideline 2006/66/EC, defective or used battery packs/batteries, must be collected separately and disposed of in an environmentally correct manner.

Batteries no longer suitable for use can be directly returned at:

**Great Britain**

Robert Bosch Ltd. (B.S.C.)  
 P.O. Box 98  
 Broadwater Park  
 North Orbital Road  
 Denham  
 Uxbridge  
 UB 9 5HJ

At [www.bosch-pt.co.uk](http://www.bosch-pt.co.uk) you can order spare parts or arrange the collection of a product in need of servicing or repair.

Tel. Service: (0344) 7360109  
 E-Mail: [boschservicecentre@bosch.com](mailto:boschservicecentre@bosch.com)

**Subject to change without notice.**

**Français****Avertissements de sécurité**

**Pour une utilisation sans danger et en toute sécurité de l'appareil de mesure, lisez attentivement toutes les instructions et tenez-en compte. Si l'appareil de mesure n'est pas utilisé conformément aux présentes**

**instructions, les dispositifs de protection intégrés dans l'appareil sont susceptibles d'être endommagés. Faites en sorte que les étiquettes d'avertissement se trouvant sur l'appareil de mesure restent toujours lisibles.**

**CONSERVEZ CES INSTRUCTIONS DANS UN LIEU SÛR ET REMETTEZ-LES À TOUT NOUVEL UTILISATEUR DE L'APPAREIL DE MESURE.**

► **Attention – si d'autres dispositifs d'utilisation ou d'ajustage que ceux indiqués ici sont utilisés ou si d'autres procédés sont appliqués, ceci peut entraîner une exposition dangereuse au rayonnement.**

► **Cet appareil de mesure est fourni avec une plaque d'avertissement (dans la représentation de l'appareil de mesure se trouvant sur la page des graphiques elle est marquée du numéro 5).**



IEC 60825-1:2014-05  
 <1mW, 630-650 nm

Laser Radiation  
 Class 2  
 Do not stare into beam.

► **Avant la première mise en service, recouvrir le texte de la plaque d'avertissement par l'autocollant fourni dans votre langue.**



**Ne pas diriger le faisceau laser vers des personnes ou des animaux et ne jamais regarder soi-même dans le faisceau laser.** Vous risquez sinon d'éblouir des personnes, de causer des accidents ou de blesser les yeux.

► **Au cas où le faisceau laser frappe un œil, fermez immédiatement les yeux et déplacez la tête pour l'éloigner du faisceau. Ne jamais apporter de modifications au dispositif laser.**

► **Ne jamais apporter de modifications au dispositif laser.**

► **Ne pas utiliser les lunettes de vision du faisceau laser en tant que lunettes de protection.** Les lunettes de vision du faisceau laser servent à mieux visualiser le faisceau laser, elles ne protègent cependant pas du rayonnement laser.

► **Ne pas utiliser les lunettes de vision du faisceau laser en tant que lunettes de soleil ou en circulation routière.** Les lunettes de vision du faisceau laser ne protègent pas parfaitement contre les rayons ultra-violet et réduisent la perception des couleurs.

► **Ne faire réparer l'appareil de mesure que par une personne qualifiée et seulement avec des pièces de rechange d'origine.** Ceci permet d'assurer la sécurité de l'appareil de mesure.

► **Ne pas laisser les enfants utiliser l'appareil de mesure laser sans surveillance.** Ils risqueraient d'éblouir d'autres personnes par mégarde.

► **Ne pas faire fonctionner les appareils de mesure en atmosphère explosive, par exemple en présence de liquides inflammables, de gaz ou de poussières.** L'appareil de mesure produit des étincelles qui peuvent enflammer les poussières ou les vapeurs.



**Ne pas approcher trop près l'appareil de mesure et le récepteur laser 25 de stimulateurs cardiaques.** L'aimant logé à l'intérieur de l'appareil de mesure et la plaque aimantée 24 du récepteur laser génèrent un champ magnétique susceptible d'altérer le fonctionnement de stimulateurs cardiaques.



► **Tenir l'appareil de mesure et le récepteur laser 25 éloignés de supports de données magnétiques et d'appareils sensibles aux champs magnétiques.** Les aimants peuvent provoquer des pertes de données irréversibles.

## Description et performances du produit

### Utilisation conforme

L'appareil de mesure est destiné aux applications de nivellement à l'aide de lignes horizontales, de lignes verticales et d'un point vertical.

### Éléments de l'appareil

La numérotation des éléments de l'appareil se réfère à la représentation de l'appareil de mesure sur la page graphique.

- 1 Orifice de sortie du faisceau laser
- 2 Dispositif de verrouillage du couvercle du compartiment à piles
- 3 Couvercle du compartiment à piles
- 4 Numéro de série
- 5 Plaque signalétique du laser
- 6 Rainures de fixation de l'appareil de mesure
- 7 Interrupteur Marche/Arrêt
- 8 Niveau à bulle du plateau pivotant
- 9 Raccord de trépied 5/8"
- 10 Vis de réglage en hauteur du plateau pivotant
- 11 Vis de réglage micrométrique du plateau pivotant
- 12 Plateau pivotant
- 13 Rainures de fixation du plateau pivotant
- 14 Mode Opérateur sans nivellement automatique
- 15 Indicateur fonction d'impulsion
- 16 Témoin de fonctionnement/avertissement piles
- 17 Touche fonction d'impulsion
- 18 Touche Mode vertical
- 19 Touche Mode horizontal
- 20 Mire avec pied\*
- 21 Trépied\*
- 22 Etui de protection
- 23 Lunettes de vision du faisceau laser\*
- 24 Plaque aimantée\*
- 25 Récepteur\*
- 26 Tige télescopique\*
- 27 Embase de fixation\*

\* Les accessoires décrits ou illustrés ne sont pas tous compris dans la fourniture.

## Caractéristiques techniques

Laser linéaire		GLL 5-50 X
N° d'article		3 601 K63 N..
Portée <sup>1)</sup>		
– Lignes laser standard	m	15
– avec fonction d'impulsion	m	10
– avec récepteur laser	m	5–50
– Point vertical	m	5
Précision typique de nivellement des lignes laser <sup>2)</sup>	mm/m	± 0,2
Plage typique de nivellement automatique	°	± 3
Temps typique de nivellement	s	< 4
Température de fonctionnement	°C	– 10 ... + 45
Température de stockage	°C	– 20 ... + 70
Humidité relative de l'air max.	%	90
Classe laser		2
Type de laser	nm mW	630–650 < 1
C <sub>6</sub>		1
Durée minimum de l'impulsion	ms	1,25
Raccord de trépied <sup>3)</sup>	"	5/8
Piles		4 x 1,5 V LR6 (AA)
Autonomie approx.		
– avec 1 ligne laser	h	24
– avec 2 lignes laser	h	14
– avec 3 lignes laser	h	10
– avec 5 lignes laser	h	6
Poids suivant EPTA-Procédure 01:2014	kg	0,54
Dimensions (longueur x largeur x hauteur)		
– sans plateau pivotant	mm	122 x 83 x 129
– avec plateau pivotant	mm	Ø 151 x 203
Type de protection (à l'exception du compartiment à piles)		IP 54*

1) La portée peut être réduite par des conditions défavorables (par ex. exposition directe au soleil).

2) départ usine

3) seulement disponible en combinaison avec le plateau pivotant

\* protection contre la poussière et les projections d'eau

Le numéro de série **4** qui se trouve sur la plaque signalétique permet une identification précise de votre appareil.

## Montage

### Mise en place/changement des piles

Pour le fonctionnement de l'appareil de mesure, nous recommandons d'utiliser des piles alcalines au manganèse.

Pour ouvrir le couvercle du compartiment à piles **3**, appuyez sur le dispositif de blocage **2** et retirez le couvercle du compartiment à piles. Introduisez les piles. Veillez à respecter les polarités qui doivent correspondre à la figure se trouvant à l'intérieur du compartiment à piles.

## 14 | Français

Quand le témoin d'avertissement piles **16** se met à clignoter, il faut remplacer les piles.

Remplacez toujours toutes les piles en même temps. N'utilisez que des piles de la même marque avec la même capacité.

► **Sortez les piles de l'appareil de mesure au cas où l'appareil ne serait pas utilisé pendant une période prolongée.** En cas de stockage prolongé, les piles peuvent se corroder et se décharger.

### Utilisation du plateau pivotant (voir figure A)

Placez l'appareil de mesure sur le support du plateau pivotant **12** de façon à ce que les rainures de fixation **13** du plateau pivotant viennent se loger entre les rainures **6** sous l'appareil de mesure. Tournez l'appareil de mesure dans le sens horaire pour le verrouiller sur le plateau pivotant.

Dévissez les pieds du plateau pivotant à l'aide des vis de réglage de hauteur **10**. Mettez grossièrement à niveau le plateau pivotant avec le niveau à bulle **8**.

## Fonctionnement

### Mise en service

- **Protégez l'appareil de mesure contre l'humidité, ne l'exposez pas directement aux rayons du soleil.**
- **N'exposez pas l'appareil de mesure à des températures extrêmes ou de forts changements de température.** Ne le stockez pas trop longtemps dans une voiture par ex. S'il est exposé à d'importants changements de température, laissez-le revenir à la température ambiante avant de le remettre en marche. Des températures extrêmes ou de forts changements de température peuvent réduire la précision de l'appareil de mesure.
- **Évitez les chocs ou les chutes de l'appareil de mesure.** Lorsque l'appareil de mesure a été soumis à de fortes sollicitations extérieures, effectuez toujours un contrôle de précision avant de continuer à travailler (voir « Précision de nivellement »).
- **Éteignez l'appareil de mesure quand vous le transportez.** Lorsque l'appareil est éteint, l'unité pendulaire se verrouille afin de prévenir un endommagement lors du transport.

### Mise en marche/arrêt

Pour **mettre en marche** l'appareil de mesure, placez l'interrupteur Marche/Arrêt **7** dans la position « **On** » (pour les travaux sans nivellement automatique) ou dans la position « **On** » (pour les travaux avec nivellement automatique). Le témoin de fonctionnement **16** s'allume et l'appareil de mesure génère aussitôt une ligne laser horizontale au niveau de l'orifice de sortie du faisceau **1**.

► **Ne dirigez pas le faisceau laser vers des personnes ou des animaux et ne regardez jamais dans le faisceau laser, même si vous êtes à grande distance de ce dernier.**

Pour **arrêter** l'appareil de mesure, placez l'interrupteur Marche/Arrêt **7** dans la position « **Off** ». Le témoin de fonctionnement **16** s'éteint. À l'arrêt de l'appareil, l'unité pendulaire se verrouille.

Lorsque la température de service maximale admissible de 45 °C est dépassée, l'appareil s'éteint automatiquement afin de protéger la diode laser. Une fois l'appareil de mesure refroidi, il est de nouveau prêt à être mis en service, et peut être remis en marche.

### Désactiver la coupure automatique

L'appareil de mesure s'éteint automatiquement après une durée de fonctionnement de 30 min. Pour désactiver la coupure automatique, maintenez lors de la mise en marche de l'appareil de mesure la touche Mode vertical **18** ou la touche Mode horizontal **19** actionnée pendant 3 s. La désactivation de la coupure automatique est signalée par le clignotement bref des lignes laser après 3 secondes.

► **Ne laissez pas sans surveillance l'appareil de mesure allumé et éteignez-le après l'utilisation.** D'autres personnes pourraient être éblouies par le faisceau laser.

Pour réactiver la coupure automatique, éteignez et rallumez l'appareil de mesure (sans appuyer sur aucune touche).

### Modes de fonctionnement (voir figures B – D)

Le mode horizontal et le mode vertical sont activables et désactivables séparément. Il est possible – dans tous les modes de fonctionnement – d'activer ou non le nivellement automatique.

#### Mode horizontal

Après sa mise en marche, l'appareil de mesure se trouve dans le mode horizontal, il émet une ligne laser horizontale vers l'avant.

Pour désactiver ou réactiver la ligne laser horizontale, actionnez la touche Mode horizontal **19**.

#### Mode vertical et point vertical

L'appareil de mesure dispose de plusieurs modes verticaux :

- ligne laser verticale vers l'avant
- ligne laser verticale vers l'avant et vers le côté gauche
- ligne laser verticale vers l'avant et vers l'arrière
- lignes laser verticales vers les quatre côtés

Dans tous les modes verticaux, un point vertical est par ailleurs projeté vers le bas.

Pour activer et désactiver le mode vertical ou changer de mode vertical, actionnez de façon répétée la touche Mode vertical **18** jusqu'à atteindre le mode vertical souhaité.

Si l'appareil de mesure est monté sur le plateau pivotant **12**, vous pouvez aligner avec précision les lignes laser verticales sur les points de référence en agissant sur la vis de réglage micrométrique **11**.

#### Fonction d'impulsion

Pour travailler avec le récepteur **25**, la fonction d'impulsion doit être activée, – indépendamment du mode de service sélectionné –.

En mode impulsions, les lignes laser clignotent à très haute fréquence et peuvent ainsi être détectées par le récepteur **25**.

Pour activer la fonction d'impulsion, actionnez la touche **17**. Quand la fonction d'impulsion est active, l'indicateur **15** s'allume rouge.

Pour l'œil humain, la visibilité des lignes laser est réduite lorsque la fonction d'impulsion est mise en marche. Pour travailler sans récepteur, désactivez alors la fonction d'impulsion en appuyant à nouveau sur la touche **17**. Lorsque la fonction d'impulsion est désactivée, l'affichage **15** disparaît.

### Nivellement automatique

#### Travailler avec nivellement automatique

Placez l'appareil de mesure sur un support horizontal stable ou bien fixez-le sur le plateau pivotant **12**.

Pour travailler avec nivellement automatique, placez l'interrupteur Marche/Arrêt **7** dans la position « **On** ».

Le nivellement automatique compense automatiquement les déviations d'inclinaisons à l'intérieur de la plage de nivellement automatique de  $\pm 3^\circ$ . Dès que les lignes laser se stabilisent, le nivellement est terminé.

Quand un nivellement automatique n'est pas possible, par ex. du fait que la surface sur laquelle repose l'appareil de mesure est inclinée de plus de  $3^\circ$  par rapport à l'horizontale, les lignes laser se mettent à clignoter rapidement.

Placez alors l'appareil de mesure à l'horizontale et attendez que le nivellement automatique se fasse. Dès que l'appareil de mesure se trouve à l'intérieur de la plage de nivellement automatique de  $\pm 3^\circ$ , les lignes laser cessent de clignoter.

S'il subit des secousses ou change de position pendant son utilisation, l'appareil de mesure se remet à niveau automatiquement. Après chaque nouveau nivellement, vérifiez la position des lignes laser par rapport aux points de référence afin d'éviter des erreurs.

#### Travailler sans nivellement automatique

Pour travailler sans nivellement automatique, placez l'interrupteur Marche/Arrêt **7** dans la position « **Off** ». Quand le nivellement automatique est désactivé, l'indicateur **14** s'allume rouge et les lignes laser clignotent durablement à un rythme lent.

Lorsque le nivellement automatique est désactivé, il est possible de tenir l'appareil de mesure simplement en main ou de le poser sur un support approprié. Les lignes laser ne sont plus forcément perpendiculaires l'une par rapport à l'autre.

### Précision de nivellement

#### Influences sur la précision

C'est la température ambiante qui exerce la plus grande influence. Ce sont notamment les différences de température entre le sol et la hauteur de travail qui peuvent faire dévier le faisceau laser.

Comme c'est au niveau du sol que la stratification de température est la plus importante, il convient, dans la mesure du possible, de monter l'appareil de mesure sur le trépied **21** et de placer ce dernier au centre de la surface de travail.

Étant donné que les résultats de mesure peuvent être altérés à la fois par des facteurs extérieurs (températures extrêmes, fortes variations de température, etc.) et par des facteurs mécaniques (par ex. chutes ou chocs violents). Il est important de vérifier la précision de nivellement avant chaque travail.

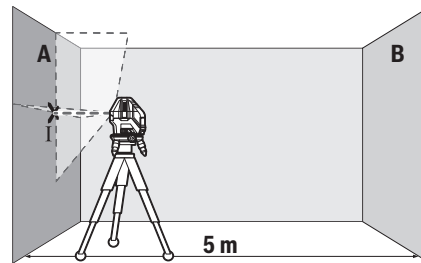
Contrôlez dans un premier temps la précision de hauteur et la précision de nivellement de la ligne laser horizontale puis la précision de nivellement des lignes laser verticales.

Si l'appareil de mesure dépasse l'écart maximal de précision pour un des contrôles, faites-le réparer par un Service Après-Vente Bosch.

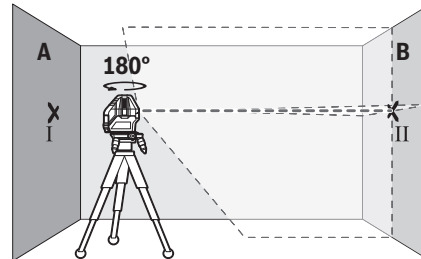
#### Contrôler la précision de hauteur des lignes horizontales

Pour ce contrôle, il est nécessaire de travailler sur une distance dégagée de 5 m sur un sol stable entre deux murs A et B.

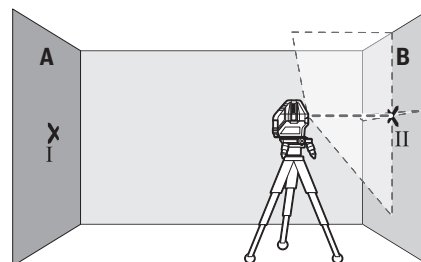
- Montez l'appareil de mesure sur le plateau pivotant / un trépied près du mur A ou placez-le sur un support plan stable. Mettre en marche l'appareil de mesure dans le mode avec nivellement automatique. Activez le mode horizontal et l'un des modes verticaux.



- Dirigez le laser sur le mur le plus proche A et laissez l'appareil de mesure se niveler automatiquement. Marquez le milieu du point sur le mur où les lignes laser se croisent (point I).

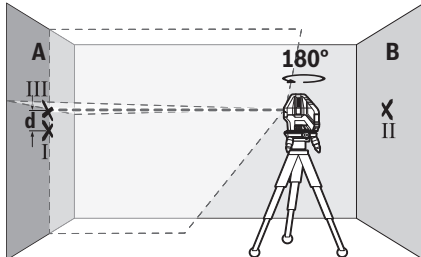


- Tournez l'appareil de mesure de  $180^\circ$ , laissez-le se niveler automatiquement et marquez le point de croisement des faisceaux laser sur le mur en face B (point II).
- Placez l'appareil de mesure – sans le tourner – près du mur B, mettez-le en marche et laissez-le se niveler automatiquement.



## 16 | Français

- Ajustez l'appareil de mesure en hauteur (à l'aide du trépied ou, le cas échéant, par des cales appropriées) de sorte que le point de croisement des faisceaux laser touche le point II sur le mur B tracé auparavant.



- Tournez l'appareil de mesure de 180° sans en modifier la hauteur. Dirigez-le vers mur A de sorte que la ligne laser verticale passe à travers le point I déjà marqué. Laissez l'appareil de mesure se niveler automatiquement et marquez le point de croisement des faisceaux laser sur le mur A (point III).
- L'écart  $d$  entre les deux points I et III marqués sur mur A indique l'écart réel de l'appareil de mesure pour la hauteur.

L'écart maximal admissible  $d_{max}$  se calcule comme suit :

$$d_{max} = 2 \text{ fois la distance entre les murs } \times 0,2 \text{ mm/m}$$

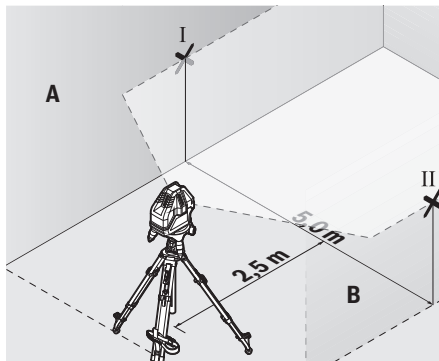
Exemple : Si la distance entre les murs est de 5 m, l'écart maximal

$$d_{max} = 2 \times 5 \text{ m} \times 0,2 \text{ mm/m} = 2 \text{ mm. Les marquages ne doivent donc pas être espacés de plus de 2 mm.}$$

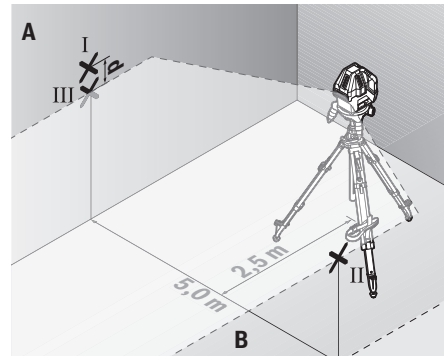
#### Contrôler la précision de nivellement de la ligne horizontale

Pour ce contrôle, on nécessite une distance dégagée de 5 x 5 m env.

- Montez l'appareil de mesure sur le plateau pivotant / un trépied au centre, à équidistance des murs A et B, ou placez-le sur un support plan stable. Mettez en marche l'appareil de mesure dans le mode avec nivellement automatique. Activez le mode horizontal et laissez l'appareil se mettre à niveau.



- A une distance de 2,5 m de l'appareil de mesure, marquez le milieu du faisceau laser sur les deux murs (point I sur mur A et point II sur mur B).



- Placez l'appareil de mesure tourné de 180° à une distance de 5 m et laissez-le se niveler automatiquement.
- Ajustez l'appareil de mesure en hauteur (à l'aide du trépied ou, le cas échéant, par des cales appropriées) de sorte que le milieu du faisceau laser touche le point II sur le mur B tracé auparavant.
- Sur mur A, marquez le milieu du faisceau laser comme point III (verticalement au-dessus ou au-dessous du point I).
- L'écart  $d$  entre les deux points I et III marqués sur mur A indique l'écart réel de l'appareil de mesure de l'horizontale.

L'écart maximal admissible  $d_{max}$  se calcule comme suit :

$$d_{max} = 2 \text{ fois la distance entre les murs } \times 0,2 \text{ mm/m}$$

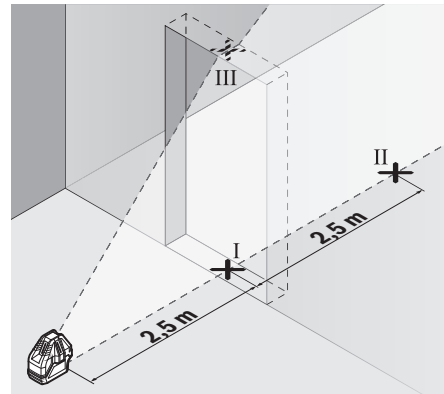
Exemple : Si la distance entre les murs est de 5 m, l'écart maximal

$$d_{max} = 2 \times 5 \text{ m} \times 0,2 \text{ mm/m} = 2 \text{ mm. Les marquages ne doivent donc pas être espacés de plus de 2 mm.}$$

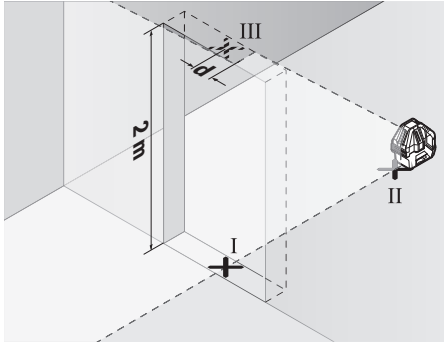
#### Contrôler la précision de nivellement des lignes verticales

Pour ce contrôle, on nécessite un cadre de porte d'au moins 2,5 m d'entrebâillement (sur sol stable) de chaque côté de la porte.

- Posez l'appareil de mesure sur un support ferme et plan (pas sur le plateau pivotant ou un trépied) à 2,5 m de distance de l'ouverture de la porte. Mettez en marche l'appareil de mesure dans le mode avec nivellement automatique. Activez le mode vertical avec toutes les lignes laser verticales et alignez la ligne laser verticale avant avec l'ouverture de la porte. Laissez l'appareil de mesure se mettre à niveau.



- Marquez le milieu de la ligne laser verticale au sol à l'aplomb du cadre de porte (point I), à une distance de 5 m sur le coté opposé du cadre de porte (point II), ainsi qu'au bord supérieur du cadre de porte (point III).



- Placez l'appareil de mesure de l'autre côté du cadre de porte directement derrière le point II. Laissez l'appareil de mesure se niveler automatiquement et alignez la ligne laser verticale de sorte que son milieu passe exactement à travers les points I et II.
- L'écart  $d$  entre le point III et le milieu de la ligne laser sur le bord supérieur du cadre de porte indique l'écart réel de l'appareil de mesure de la verticale.
- Mesurez la hauteur du cadre de porte.

L'écart maximal admissible  $d_{\max}$  se calcule comme suit :  
 $d_{\max} = 2$  fois la hauteur de l'ouverture de porte  $\times 0,2$  mm/m  
 Exemple : Si la hauteur de l'ouverture de porte est de 2 m, l'écart maximal  
 $d_{\max} = 2 \times 2 \text{ m} \times 0,2 \text{ mm/m} = 0,8 \text{ mm}$ . Les marquages ne doivent donc pas être espacés de plus de 0,8 mm.

### Instructions d'utilisation

- **Pour marquer, n'utiliser toujours que le milieu du point laser ou de la ligne laser.** La taille du point laser ou la largeur de la ligne laser changent avec la distance.

### Lunettes de vision du faisceau laser (accessoire)

Les lunettes de vision du faisceau laser filtrent la lumière ambiante. L'œil perçoit ainsi la lumière rouge du laser comme étant plus claire.

- **Ne pas utiliser les lunettes de vision du faisceau laser en tant que lunettes de protection.** Les lunettes de vision du faisceau laser servent à mieux visualiser le faisceau laser, elles ne protègent cependant pas du rayonnement laser.
- **Ne pas utiliser les lunettes de vision du faisceau laser en tant que lunettes de soleil ou en circulation routière.** Les lunettes de vision du faisceau laser ne protègent pas parfaitement contre les rayons ultra-violet et réduisent la perception des couleurs.

### Travailler avec récepteur (accessoire)

Dans des conditions d'éclairage défavorables (environnement éclairé, soleil en direct) et sur des grandes distances, utilisez le récepteur **25** afin de détecter plus facilement les lignes laser. Lorsque vous travaillez avec le récepteur, activez la fonction d'impulsion (voir « Fonction d'impulsion », page 14).

### Travailler avec le trépied (accessoire) (voir figure E)

Un trépied constitue un support de mesure stable et réglable en hauteur. Monter l'appareil de mesure sur le plateau pivotant **12**. Placez le plateau pivotant avec filetage de 5/8" **9** sur le trépied **21** ou sur un laser de chantier. Vissez le plateau pivotant avec la vis de serrage du trépied.

### Travailler avec la mire (accessoire) (voir figures F – G)

A l'aide de la mire **20**, il est possible de reporter le marquage du faisceau laser sur le sol ou de reporter la hauteur du laser sur le mur.

Le point zéro et la graduation permettent de mesurer l'écart par rapport à la hauteur souhaitée et de le reporter sur un autre emplacement. Il n'est donc pas nécessaire d'ajuster l'appareil de mesure précisément sur la hauteur à reporter.

La mire **20** dispose d'un revêtement réflecteur pour améliorer la visibilité du faisceau laser à une distance plus importante ou en cas d'un fort ensoleillement. L'augmentation de la luminosité n'est visible que lorsqu'on regarde en parallèle avec le faisceau laser sur la mire.

### Exemples d'utilisation (voir figures B – E)

Vous trouverez des exemples d'utilisation de l'appareil de mesure sur les pages graphiques.

## Entretien et Service Après-Vente

### Nettoyage et entretien

Ne transportez et rangez l'appareil de mesure que dans son étui de protection fourni avec l'appareil.

Maintenez l'appareil de mesure propre.

N'immergez jamais l'appareil de mesure dans l'eau ou dans d'autres liquides.

Nettoyez l'appareil à l'aide d'un chiffon doux et humide. N'utilisez pas de détergents ou de solvants.

Nettoyez régulièrement en particulier les surfaces se trouvant près de l'ouverture de sortie du laser en veillant à éliminer les poussières.

Au cas où l'appareil devrait être réparé, l'envoyer dans son étui de protection **22**.

### Service Après-Vente et Assistance

Notre Service Après-Vente répond à vos questions concernant la réparation et l'entretien de votre produit et les pièces de rechange. Vous trouverez des vues éclatées ainsi que des informations concernant les pièces de rechange également sous :

**www.bosch-pt.com**

Les conseillers techniques et assistants Bosch sont à votre disposition pour répondre à vos questions concernant nos produits et leurs accessoires.

Pour toute demande de renseignement ou commande de pièces de rechange, précisez-nous impérativement le numéro d'article à dix chiffres indiqué sur la plaque signalétique du produit.

## 18 | Español

**France**

Passez votre commande de pièces détachées directement en ligne sur notre site [www.bosch-pt.fr](http://www.bosch-pt.fr).

Vous êtes un utilisateur, contactez :

Le Service Clientèle Bosch Outillage Electroportatif

Tel. : 0811 360122

(coût d'une communication locale)

Fax : (01) 49454767

E-Mail : [contact.outillage-electroportatif@fr.bosch.com](mailto:contact.outillage-electroportatif@fr.bosch.com)

Vous êtes un revendeur, contactez :

Robert Bosch (France) S. A. S.

Service Après-Vente Electroportatif

126, rue de Stalingrad

93705 DRANCY Cédex

Tel. : (01) 43119006

Fax : (01) 43119033

E-Mail : [sav.outillage-electroportatif@fr.bosch.com](mailto:sav.outillage-electroportatif@fr.bosch.com)

**Belgique, Luxembourg**

Tel. : +32 2 588 0589

Fax : +32 2 588 0595

E-Mail : [outillage.gereedschap@be.bosch.com](mailto:outillage.gereedschap@be.bosch.com)

**Suisse**

Passez votre commande de pièces détachées directement en ligne sur notre site [www.bosch-pt.com/ch/fr](http://www.bosch-pt.com/ch/fr).

Tel. : (044) 8471512

Fax : (044) 8471552

E-Mail : [AfterSales.Service@de.bosch.com](mailto:AfterSales.Service@de.bosch.com)

**Élimination des déchets**

Les appareils de mesure ainsi que leurs accessoires et emballages, doivent pouvoir suivre chacun une voie de recyclage appropriée.

Ne jetez pas les appareils de mesure et les accus/piles avec les ordures ménagères !

**Seulement pour les pays de l'Union Européenne :**

Conformément à la directive européenne 2012/19/UE, les appareils de mesure dont on ne peut plus se servir, et conformément à la directive européenne 2006/66/CE, les accus/piles usés ou défectueux doivent être isolés et suivre une voie de recyclage appropriée.

Les batteries/piles dont on ne peut plus se servir peuvent être déposées directement auprès de :

**Suisse**

Batrec AG

3752 Wimmis BE

**Sous réserve de modifications.****Español****Instrucciones de seguridad**

**Leer y observar todas las instrucciones, para trabajar sin peligro y riesgo con el aparato de medición. Si el aparato de medición no se utiliza según las presentes instrucciones, pueden menoscabarse las medidas de seguridad integradas en el aparato de medición. Jamás desvirtúe las señales de advertencia del aparato de medición. GUARDE BIEN ESTAS INSTRUCCIONES Y ADJÚNTAS EN LA ENTREGA DEL APARATO DE MEDICIÓN.**

- ▶ **Atención: en caso de utilizar unos dispositivos de manejo y ajuste diferentes de los aquí indicados, o al seguir un procedimiento diferente, ello puede comportar una exposición peligrosa a la radiación.**
- ▶ **El aparato de medición se suministra con una señal de aviso (en la ilustración del aparato de medición, ésta corresponde a la posición 5).**



- ▶ **Si la señal de aviso no viene redactada en su idioma, antes de la primera puesta en marcha, pegue encima la etiqueta adjunta en el idioma correspondiente.**



**No oriente el rayo láser sobre personas o animales y no mire hacia el rayo láser directo o reflejado.** Debido a ello, puede deslumbrar personas, causar accidentes o dañar el ojo.

- ▶ **Si la radiación láser incide en el ojo, debe cerrar conscientemente los ojos y mover inmediatamente la cabeza fuera del rayo.**
- ▶ **No efectúe modificaciones en el equipamiento del láser.**
- ▶ **No use las gafas para láser como gafas de protección.** Las gafas para láser le ayudan a detectar mejor el rayo láser, pero no le protegen de la radiación láser.
- ▶ **No emplee las gafas para láser como gafas de sol ni para circular.** Las gafas para láser no le protegen suficientemente contra los rayos ultravioleta y además no le permiten apreciar correctamente los colores.
- ▶ **Únicamente haga reparar su aparato de medición por un profesional, empleando exclusivamente piezas de repuesto originales.** Solamente así se mantiene la seguridad del aparato de medición.
- ▶ **No deje que los niños puedan utilizar desatendidos el aparato de medición por láser.** Podrían deslumbrar, sin querer, a otras personas.
- ▶ **No utilice el aparato de medición en un entorno con peligro de explosión, en el que se encuentren combustibles líquidos, gases o material en polvo.** El aparato de medición puede producir chispas e inflamar los materiales en polvo o vapores.



**No lleve el aparato de medición y el receptor láser 25 en las inmediaciones de marcapasos.** Por los imanes en el interior del aparato de medición así como por el disco magnético 24 del receptor láser, se genera un campo, que puede afectar el funcionamiento de marcapasos.

► **Mantenga el aparato de medición y el receptor láser 25 alejados de portadatos magnéticos y aparatos sensibles a los campos magnéticos.** Por el efecto de los imanes pueden generarse pérdidas de datos irreversibles.

## Descripción y prestaciones del producto

### Utilización reglamentaria

El aparato de medición está destinado para realizar tareas de nivelación con la ayuda de líneas horizontales, líneas verticales así como un punto de plomada.

### Componentes principales

La numeración de los componentes está referida a la imagen del aparato de medición en la página ilustrada.

- 1 Abertura de salida del rayo láser
- 2 Enclavamiento de la tapa del alojamiento de las pilas
- 3 Tapa del alojamiento de las pilas
- 4 Número de serie
- 5 Señal de aviso láser
- 6 Ranuras de fijación del aparato de medición
- 7 Interruptor de conexión/desconexión
- 8 Nivel de la plataforma giratoria
- 9 Fijación para trípode de 5/8"
- 10 Tornillo de ajuste de la altura de la plataforma giratoria
- 11 Tornillo de ajuste fino de la plataforma giratoria
- 12 Plataforma giratoria
- 13 Ranuras de fijación de la plataforma giratoria
- 14 Indicador de operación sin nivelación automática
- 15 Indicador de la función de ráfagas
- 16 Indicador de funcionamiento/advertencia de pila
- 17 Selector de la función de ráfagas
- 18 Tecla de servicio vertical
- 19 Tecla de servicio horizontal
- 20 Placa de medición con base\*
- 21 Trípode\*
- 22 Estuche de protección
- 23 Gafas para láser\*
- 24 Base magnética\*
- 25 Receptor láser\*
- 26 Barra telescópica\*
- 27 Soporte\*

\* Los accesorios descritos e ilustrados no corresponden al material que se adjunta de serie.

## Datos técnicos

Láser de líneas		GLL 5-50 X
Nº de artículo		3 601 K63 N..
Margen de trabajo <sup>1)</sup>		
– líneas láser estándar	m	15
– con función de impulsos	m	10
– con receptor láser	m	5–50
– punto de plomada	m	5
Exactitud de nivelación de líneas láser, típico <sup>2)</sup>	mm/m	± 0,2
Margen de autonivelación, típico	°	± 3
Tiempo de nivelación, típico	s	< 4
Temperatura de operación	°C	– 10 ... + 45
Temperatura de almacenamiento	°C	– 20 ... + 70
Humedad relativa máx.	%	90
Clase de láser		2
Tipo de láser	nm mW	630–650 < 1
C <sub>6</sub>		1
Duración mínima del impulso	ms	1,25
Fijación para trípode <sup>3)</sup>	"	5/8
Pilas		4 x 1,5 V LR6 (AA)
Duración del servicio aprox.		
– con 1 línea láser	h	24
– con 2 líneas láser	h	14
– con 3 líneas láser	h	10
– con 5 líneas láser	h	6
Peso según EPTA-Procedure 01:2014	kg	0,54
Medidas (longitud x ancho x altura)		
– sin plataforma giratoria	mm	122 x 83 x 129
– con plataforma giratoria	mm	Ø 151 x 203
Grado de protección (excepto alojamiento de las pilas)		IP 54*

1) El trabajo bajo unas condiciones ambientales desfavorables (p. ej. en caso de una exposición directa al sol) puede llegar a mermar el alcance del aparato.

2) de fábrica

3) solamente disponible en combinación con la plataforma giratoria

\* protegido contra polvo y salpicaduras de agua

El número de serie 4 grabado en la placa de características permite identificar de forma unívoca el aparato de medición.



## Montaje

### Inserción y cambio de las pilas

Se recomienda utilizar pilas alcalinas de manganeso en el aparato de medición.

Para abrir la tapa del alojamiento de las pilas **3** presione el enclavamiento **2** y retire la tapa. Inserte las pilas. Respete la polaridad indicada en la parte interior del alojamiento de las pilas.

Si parpadea la advertencia de pilas **16**, entonces debe cambiar las pilas.

Siempre sustituya todas las pilas al mismo tiempo. Utilice pilas del mismo fabricante e igual capacidad.

► **Saque las pilas del aparato de medición si pretende no utilizarlo durante largo tiempo.** Tras un tiempo de almacenamiento prolongado, las pilas se pueden llegar a corroer y autodescargar.

### Utilización de la plataforma giratoria (ver figura A)

Coloque el aparato de medición sobre el alojamiento del mismo en la plataforma giratoria **12**, de modo que las ranuras de fijación **13** de la plataforma giratoria queden entre las correspondientes ranuras **6** en la parte inferior del aparato de medición. Gire el aparato de medición en el sentido de las agujas del reloj para enclavarlo en la plataforma giratoria.

Desatornille las patas de la plataforma giratoria con los tornillos de ajuste de la altura **10**. Ajuste aproximadamente la plataforma giratoria con la ayuda del nivel **8**.

## Operación

### Puesta en marcha

- **Proteja el aparato de medición de la humedad y de la exposición directa al sol.**
- **No exponga el aparato de medición ni a temperaturas extremas ni a cambios bruscos de temperatura.** No lo deje, p. ej., en el coche durante un largo tiempo. Si el aparato de medición ha quedado sometido a un cambio fuerte de temperatura, antes de ponerlo en servicio, esperar primero a que se atempere. Las temperaturas extremas o los cambios bruscos de temperatura pueden afectar a la precisión del aparato de medición.
- **Evite las sacudidas o caídas fuertes del aparato de medición.** En caso de que el aparato de medición haya quedado sometido a unas solicitaciones fuertes exteriores, antes de continuar trabajando con él deberá realizarse una comprobación de la precisión (ver "Precisión de nivelación").
- **Desconecte el aparato de medición cuando vaya a transportarlo.** Al desconectarlo, la unidad del péndulo se inmoviliza, evitándose así que se dañe al quedar sometida a una fuerte agitación.

### Conexión/desconexión

Para **conectar** el aparato de medición, desplace el interruptor de conexión/desconexión **7** a la posición "On" (para trabajos sin nivelación automática) o a la posición "On" (para trabajos con nivelación automática). El indicador de

funcionamiento **16** se enciende y el aparato de medición emite inmediatamente una línea láser horizontal a través de la abertura de salida **1**.

► **No oriente el rayo láser contra personas ni animales, ni mire directamente hacia el rayo láser, incluso encontrándose a gran distancia.**

Para **desconectar** el aparato de medición, desplace el interruptor de conexión/desconexión **7** a la posición "Off". El indicador de funcionamiento **16** se apaga. Al desconectar, se bloquea la unidad oscilante.

En caso de excederse la temperatura de operación máxima admisible de 45 °C se desconecta el aparato de medición para proteger el diodo láser. Una vez que se haya enfriado, puede conectarse nuevamente el aparato de medición y seguir trabajando con él.

### Desactivación del automatismo de desconexión

El aparato de medición se desconecta automáticamente tras 30 minutos de duración del servicio. Para desactivar la desconexión automática, mantenga oprimida la tecla de servicio vertical **18** o la tecla de servicio horizontal **19** durante 3 segundos al conectar el aparato de medición. Si está desactivada la desconexión automática, parpadean brevemente las líneas láser tras 3 segundos.

► **No deje desatendido el aparato de medición estando conectado, y desconéctelo después de cada uso.** El rayo láser podría llegar a deslumbrar a otras personas.

Para activar la desconexión automática, desconecte y conecte de nuevo el aparato de medición (sin oprimir una tecla).

### Modos de operación (ver figuras B–D)

Los servicios horizontal y vertical se pueden conectar y desconectar independientemente entre sí. Todos los modos de funcionamiento se pueden realizar tanto con como también sin nivelación automática.

#### Modalidad horizontal

Tras la conexión, el aparato de medición se encuentra en el servicio horizontal y emite una línea láser horizontal hacia delante.

Para desconectar y conectar la línea láser horizontal, presione la tecla de servicio horizontal **19**.

#### Servicio vertical y punto de plomada

El aparato de medición dispone de varias clases de servicios verticales:

- línea láser vertical hacia delante
- línea láser vertical hacia delante y hacia el lado izquierdo
- línea láser vertical hacia delante y hacia detrás
- línea láser vertical hacia los cuatro lados

Adicionalmente, en todas las clases de servicio vertical se proyecta un punto de plomada hacia abajo.

Para conectar/desconectar el servicio vertical o para cambiar la clase de servicio vertical, presione la tecla de servicio vertical **18** tantas veces, hasta alcanzar la clase de servicio deseada.

Si el aparato de medición está montado sobre la plataforma giratoria **12**, puede alinear la línea láser vertical con el tornillo de ajuste fino **11** exactamente en los puntos de referencia.



### **Función de ráfagas**

Al trabajar con el receptor láser **25** es necesario activar la función de ráfagas, independientemente del modo de operación seleccionado.

Teniendo seleccionada la función de ráfagas las líneas láser centellean a una frecuencia muy elevada, permitiendo así que sean detectadas por el receptor láser **25**.

Para conectar la función de impulsos, presione la tecla **17**. Con la función de impulsos conectada, el indicador **15** se ilumina en rojo.

Para el ojo humano, la percepción de las líneas láser es menor teniendo activada la función de ráfagas. Por ello, siempre que no trabaje con el receptor láser desactive el función de ráfagas presionando nuevamente la tecla **17**. Al estar desactivada la función de ráfagas se apaga el indicador **15**.

### **Nivelación automática**

#### **Operación con nivelación automática**

Coloque el aparato de medición sobre una base horizontal firme o fíjelo sobre la plataforma giratoria **12**.

Para los trabajos con nivelación automática, desplace el interruptor de conexión/desconexión **7** a la posición "On".

La nivelación automática compensa automáticamente aquellos desniveles comprendidos dentro del margen de autonivelación de  $\pm 3^\circ$ . La nivelación finaliza cuando dejan de moverse las líneas láser.

Si no es posible trabajar con nivelación automática, p. ej. debido a que la superficie de apoyo del aparato de medición diverge más de  $3^\circ$  de la horizontal, comienzan a parpadear las líneas láser con un ciclo rápido.

Coloque horizontalmente el aparato de medición y espere la autonivelación. Tan pronto el aparato de medición se encuentra dentro del margen de la autonivelación de  $\pm 3^\circ$ , se encienden permanentemente las líneas láser.

En el caso de vibraciones o modificaciones de posición durante el servicio, el aparato de medición se nivela de nuevo automáticamente. Tras una nueva nivelación, verifique la posición de las líneas láser en cuanto a los puntos de referencia, para evitar errores.

#### **Operación sin nivelación automática**

Para los trabajos sin nivelación automática, desplace el interruptor de conexión/desconexión **7** a la posición "Off". Con la nivelación automática desconectada, el indicador **14** se ilumina en rojo y las líneas láser parpadean permanentemente con un ciclo lento.

Teniendo desconectada la nivelación automática es posible mantener sujeto el aparato de medición con la mano, o bien, depositarlo sobre una base inclinada. En ese caso puede ocurrir que las líneas láser no queden perpendiculares entre sí.

### **Precisión de nivelación**

#### **Factores que afectan a la precisión**

La influencia más fuerte la tiene la temperatura ambiente. Especialmente las variaciones de temperatura que pudieran existir a diferente altura respecto al suelo pueden provocar una desviación del rayo láser.

Como la estratificación térmica es más grande en las cercanías del suelo, debería montar el aparato de medición en lo posible sobre un trípode **21** y colocarlo en el centro de la superficie de trabajo.

Fuera de los influjos exteriores, también los influjos específicos del aparato (como p. ej. caídas o golpes fuertes) pueden conducir a divergencias. Verifique por ello la exactitud de la nivelación antes de cada comienzo de trabajo.

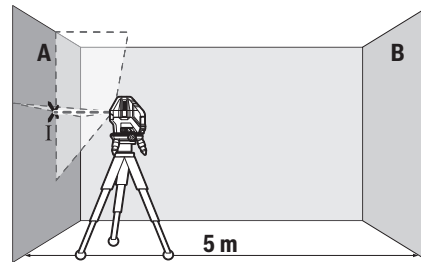
Verifique respectivamente primero la exactitud de la altura así como la nivelación de la línea láser horizontal y luego la exactitud de la nivelación de las líneas verticales.

Si en alguna de estas comprobaciones se llega a sobrepasar la desviación máxima admisible, haga reparar el aparato de medición en un servicio técnico Bosch.

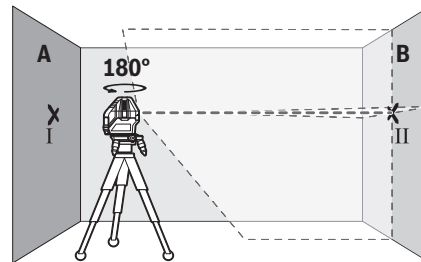
#### **Comprobación de la exactitud de altura de la línea horizontal**

Para la comprobación se requiere un tramo libre de 5 m sobre un firme consistente con dos paredes A y B.

- Monte el aparato de medición cerca de la pared A sobre la plataforma giratoria o un trípode, o bien colóquelo sobre una base firme plana. Conecte el aparato de medición en el servicio con nivelación automática. Conecte el servicio horizontal y cualquier clase de servicio vertical.



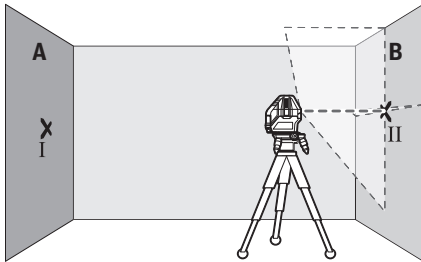
- Oriente el láser contra la cercana pared A, y deje que se nivele el aparato de medición. Marque en la pared el centro del punto de intersección de las líneas láser (punto I).



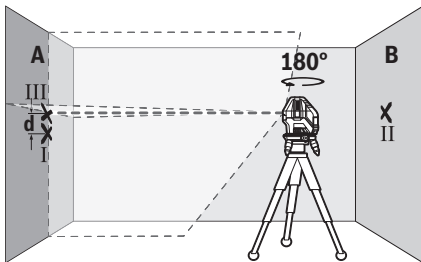
- Gire el aparato de medición  $180^\circ$ , espere a que éste se haya nivelado, y marque el centro del punto de intersección de las líneas láser en la pared opuesta B (punto II).

22 | Español

- Posicione el aparato de medición – sin girarlo – cerca de la pared B, conéctelo, y espere a que se nivele.



- Variar el nivel de altura del aparato de medición (con el trípode, o bien calzándolo) de manera que el centro del haz en el punto de intersección de las líneas láser incida exactamente contra el punto II marcado previamente en la pared B.



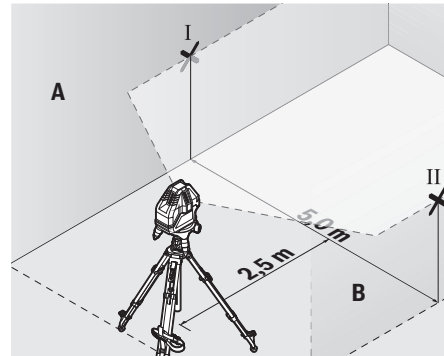
- Gire 180° el aparato de medición, sin modificar su altura. Oriéntelo contra la pared A, de manera que la línea vertical del láser pase por el punto I previamente marcado. Espere a que se haya nivelado el aparato de medición, y marque el centro del punto de intersección de las líneas láser en la pared A (punto III).
- La diferencia **d** entre ambos puntos I y III marcados sobre la pared A corresponde a la desviación real de altura del aparato de medición.

Calcule la divergencia máxima admisible  $d_{\text{máx}}$  como sigue:  
 $d_{\text{máx}} = \text{distancia doble de las paredes} \times 0,2 \text{ mm/m}$   
 Ejemplo: con una distancia de paredes de 5 m, la divergencia máxima puede ascender a  
 $d_{\text{máx}} = 2 \times 5 \text{ m} \times 0,2 \text{ mm/m} = 2 \text{ mm}$ . Así, las marcas pueden quedar separadas como máximo 2 mm.

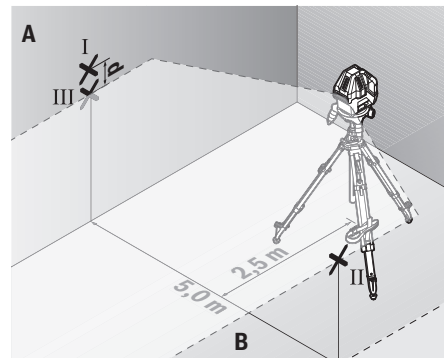
**Comprobación de la exactitud de nivelación de la línea horizontal**

Para la comprobación se requiere una superficie libre de aprox. 5 x 5 m.

- Monte el aparato de medición en el centro entre las paredes A y B sobre la plataforma giratoria o un trípode, o bien colóquelo sobre una base firme plana. Conecte el aparato de medición en el servicio con nivelación automática. Conecte el servicio horizontal y deje que se nivele el aparato de medición.



- Con el aparato de medición situado a una separación de 2,5 m, marque en ambas paredes el centro del haz del láser (punto I en pared A y punto II en pared B).



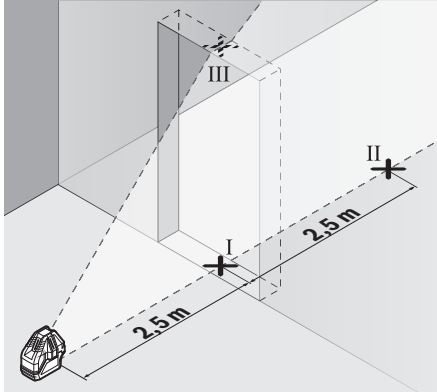
- Gire 180° el aparato de medición, colóquelo a una distancia de 5 m, y deje que se nivele.
- Varie el nivel de altura del aparato de medición (con el trípode, o bien calzándolo) de manera que el centro del haz incida exactamente contra el punto II marcado previamente en la pared B.
- Marque en la pared A, en el centro de la línea láser, el punto III (más arriba o abajo, según el caso, pero coincidiendo con la posición vertical del punto I).
- La diferencia **d** entre ambos puntos I y III marcados sobre la pared A corresponde a la desviación real respecto a la horizontal del aparato de medición.

Calcule la divergencia máxima admisible  $d_{\text{máx}}$  como sigue:  
 $d_{\text{máx}} = \text{distancia doble de las paredes} \times 0,2 \text{ mm/m}$   
 Ejemplo: con una distancia de paredes de 5 m, la divergencia máxima puede ascender a  
 $d_{\text{máx}} = 2 \times 5 \text{ m} \times 0,2 \text{ mm/m} = 2 \text{ mm}$ . Así, las marcas pueden quedar separadas como máximo 2 mm.

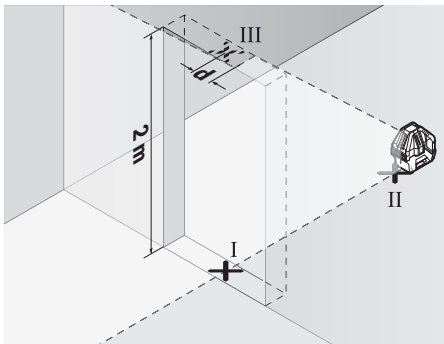
**Comprobación de la exactitud de nivelación de las líneas verticales**

Para la comprobación se requiere el vano de una puerta, debiéndose disponer de un espacio mínimo antes y después del mismo de 2,5 m sobre un firme consistente.

- Coloque el aparato de medición a 2,5 m de distancia de la abertura de puerta sobre una base firme plana (no sobre la plataforma giratoria o un trípode). Conecte el aparato de medición en el servicio con nivelación automática. Conecte el servicio vertical con todas las líneas láser verticales y ajuste la línea láser vertical delantera sobre la abertura de puerta. Deje que se nivele el aparato de medición.



- Marque el centro de la línea láser vertical en el vano de la puerta, sobre el suelo (punto I), a 5 m de distancia desde el otro lado del vano de la puerta (punto II), así como en su parte superior (punto III).



- Coloque el aparato de medición al otro lado del vano de la puerta, directamente detrás del punto II. Deje que se nivele el aparato de medición y alinee la línea láser vertical de manera que su centro coincida exactamente con los puntos I y II.
- La diferencia  $d$  entre el punto III y el centro de la línea láser en la parte superior del vano de la puerta corresponde a la desviación real respecto a la vertical del aparato de medición.
- Mida la altura del vano de la puerta.

Calcule la divergencia máxima admisible  $d_{\text{máx}}$  como sigue:  
 $d_{\text{máx}} = \text{altura doble de la abertura de la puerta} \times 0,2 \text{ mm/m}$   
 Ejemplo: con una altura de la abertura de la puerta de 2 m, la divergencia máxima puede ascender a  
 $d_{\text{máx}} = 2 \times 2 \text{ m} \times 0,2 \text{ mm/m} = 0,8 \text{ mm}$ . Así, las marcas pueden quedar separadas como máximo 0,8 mm.

## Instrucciones para la operación

- ▶ **Siempre utilice el centro del punto del láser o de la línea para marcar un punto.** El tamaño del punto del láser, o el ancho de la línea láser, varían con la distancia.

### Gafas para láser (accesorio especial)

Las gafas para láser filtran la luz del entorno. Ello permite apreciar con mayor intensidad la luz roja del láser.

- ▶ **No use las gafas para láser como gafas de protección.** Las gafas para láser le ayudan a detectar mejor el rayo láser, pero no le protegen de la radiación láser.
- ▶ **No emplee las gafas para láser como gafas de sol ni para circular.** Las gafas para láser no le protegen suficientemente contra los rayos ultravioleta y además no le permiten apreciar correctamente los colores.

### Operación con receptor láser (accesorio especial)

Si las condiciones de luz fuesen desfavorables (entorno claro, radiación solar directa) o si las distancias fuesen grandes, utilice el receptor láser para detectar más fácilmente el rayo láser **25**. Al trabajar con el receptor láser active la función de ráfagas (ver "Función de ráfagas", página 21).

### Operación con trípode (accesorio especial) (ver figura E)

Un trípode ofrece una base de medición estable y regulable en la altura. Monte el aparato de medición sobre la plataforma giratoria **12**. Coloque la plataforma giratoria con el alojamiento del trípode de 5/8" **9** sobre la rosca del trípode **21** o un trípode correspondiente corriente en el comercio. Atornille firmemente la plataforma giratoria con los tornillos de sujeción del trípode.

### Aplicación de la placa de medición (accesorio especial) (ver figuras F – G)

Con la placa de medición **20** puede Ud. transferir la posición del rayo láser contra el suelo, o bien, el nivel de altura del láser sobre una pared.

Con el espacio existente en el punto de cero, más la escala, puede medirse la diferencia existente respecto a la altura deseada y transferirse así a otro punto. Ello hace innecesario el ajuste exacto del aparato de medición a la altura deseada.

La placa de medición **20** dispone de un recubrimiento reflectante que hace más perceptible el rayo láser a distancias más grandes o con sol intenso. La mayor intensidad luminosa solamente es apreciable mirando paralelamente a lo largo del rayo láser hacia la placa de medición.

### Ejemplos de aplicación (ver figuras B – E)

Ejemplos para la aplicación del aparato de medición los encontrará en las páginas ilustradas.

## Mantenimiento y servicio

### Mantenimiento y limpieza

Solamente guarde y transporte el aparato de medición en el estuche de protección adjunto.

Mantenga limpio siempre el aparato de medición.

No sumerja el aparato de medición en agua ni en otros líquidos. Limpiar el aparato con un paño húmedo y suave. No usar detergentes ni disolventes.

**24 | Português**

Limpie con regularidad sobre todo el área en torno a la abertura de salida del láser, cuidando que no queden motas.

En caso de una reparación, envíe el aparato en el estuche de protección **22**.

**Servicio técnico y atención al cliente**

El servicio técnico le asesorará en las consultas que pueda Ud. tener sobre la reparación y mantenimiento de su producto, así como sobre piezas de recambio. Los dibujos de despiece e informaciones sobre las piezas de recambio los podrá obtener también en internet bajo:

**www.bosch-pt.com**

Nuestro equipo de asesores técnicos le orientará gustosamente en cuanto a la adquisición, aplicación y ajuste de los productos y accesorios.

Para cualquier consulta o pedido de piezas de repuesto es imprescindible indicar el nº de artículo de 10 dígitos que figura en la placa de características del producto.

**España**

Robert Bosch España S.L.U.  
Departamento de ventas Herramientas Eléctricas  
C/Hermanos García Noblejas, 19  
28037 Madrid  
Para efectuar su pedido online de recambios o pedir la recogida para la reparación de su máquina, entre en la página [www.herramientasbosch.net](http://www.herramientasbosch.net).  
Tel. Asesoramiento al cliente: 902 531 553  
Fax: 902 531554

**Venezuela**

Robert Bosch S.A.  
Final Calle Vargas. Edf. Centro Berimer P.B.  
Boleita Norte  
Caracas 107  
Tel.: (0212) 2074511

**México**

Robert Bosch S. de R.L. de C.V.  
Calle Robert Bosch No. 405 C.P. 50071  
Zona Industrial, Toluca - Estado de México  
Tel. Interior: (01) 800 6271286  
Tel. D.F.: 52843062  
E-Mail: [arturo.fernandez@mx.bosch.com](mailto:arturo.fernandez@mx.bosch.com)

**Argentina**

Robert Bosch Argentina S.A.  
Av. Córdoba 5160  
C1414BAW Ciudad Autónoma de Buenos Aires  
Atención al Cliente  
Tel.: (0810) 5552020  
E-Mail: [herramientas.bosch@ar.bosch.com](mailto:herramientas.bosch@ar.bosch.com)

**Perú**

Robert Bosch S.A.C.  
Av. Primavera 781, Urb. Chacarilla, San Borja (Edificio Aldo)  
Buzón Postal Lima 41 - Lima  
Tel.: (01) 2190332

**Chile**

Robert Bosch S.A.  
Calle El Cacique  
0258 Providencia – Santiago  
Tel.: (02) 2405 5500

**Ecuador**

Robert Bosch Sociedad Anonima Ecuabosch  
Av. Las Monjas nº 10 y Carlos J. Arosamena  
Guayaquil – Ecuador  
Tel. (04) 220 4000  
Email: [atencion.cliente@ec.bosch.com](mailto:atencion.cliente@ec.bosch.com)

**Eliminación**

Recomendamos que los aparatos de medición, accesorios y embalajes sean sometidos a un proceso de recuperación que respete el medio ambiente.

¡No arroje los aparatos de medición, acumuladores o pilas a la basura!

**Sólo para los países de la UE:**

Los aparatos de medición inservibles, así como los acumuladores/pilas defectuosos o agotados deberán acumularse por separado para ser sometidos a un reciclaje ecológico tal como lo marcan las Directivas Europeas 2012/19/UE y 2006/66/CE, respectivamente.

Los acumuladores/pilas agotados pueden entregarse directamente a su distribuidor habitual de Bosch:

**España**

Servicio Central de Bosch  
Servilotec, S.L.  
Polig. Ind. II, 27  
Cabanillas del Campo  
Tel.: +34 9 01 11 66 97

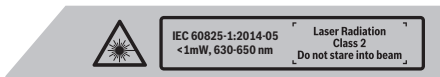
**Reservado el derecho de modificación.**

**Português****Indicações de segurança**

**Devem ser lidas e respeitadas todas as instruções para trabalhar de forma segura e sem perigo com o instrumento de medição. Se o instrumento não for utilizado em conformidade com as presentes instruções, as proteções integradas no instrumento de medição podem ser afetadas. Jamais permita que as placas de advertência no instrumento de medição se tornem irreconhecíveis. CONSERVE BEM ESTAS INSTRUÇÕES E FAÇA-AS ACOMPANHAR O INSTRUMENTO DE MEDIÇÃO SE O CEDER A TERCEIROS.**

► **Cuidado – se forem utilizados outros equipamentos de comando ou de ajuste ou outros processos do que os descritos aqui, poderão ocorrer graves explosões de radiação.**

- ▶ **O instrumento de medição é fornecido com uma placa de advertência (identificada com o número 5 na figura do instrumento de medição que se encontra na página de esquemas).**



- ▶ **Se o texto da placa de aviso não estiver no seu idioma nacional, deverá colar o adesivo, fornecido no seu idioma nacional, sobre a placa de aviso antes da primeira colocação em funcionamento.**



**Não apontar o raio laser na direção de pessoas nem de animais e não olhar para o raio laser direto ou reflexivo.** Desta forma poderá encandear outras pessoas, causar acidentes ou danificar o olho.

- ▶ **Se um raio laser acertar no olho, fechar imediatamente os olhos e desviar a cabeça do raio laser.**
- ▶ **Não efetue alterações no dispositivo laser.**
- ▶ **Não utilizar óculos de visualização de raio laser como óculos de proteção.** Óculos de visualização de raio laser servem para reconhecer o raio laser com maior facilidade, e portanto, não protegem contra radiação laser.
- ▶ **Não utilizar óculos de visualização de raio laser como óculos de proteção, nem no trânsito rodoviário.** Óculos de visualização de raio laser não oferecem uma completa proteção contra raios UV e reduzem a percepção de cores.
- ▶ **Só permita que o seu aparelho seja reparado por pessoal especializado e qualificado e só com peças de reposição originais.** Desta forma é assegurada a segurança do instrumento de medição.
- ▶ **Não permita que crianças utilizem o instrumento de medição a laser sem supervisão.** Poderá cegar outras pessoas sem querer.
- ▶ **Não trabalhar com o instrumento de medição em área com risco de explosão, na qual se encontrem líquidos, gases ou pós inflamáveis.** No instrumento de medição podem ser produzidas faíscas, que podem inflamar pós ou vapores.



**Não aproxime o instrumento de medição nem o recetor laser 25 de pacemakers.**

O íman do instrumento de medição e da placa magnética 24 do recetor laser cria um campo que pode influenciar o funcionamento de pacemakers.

- ▶ **Mantenha o instrumento de medição e o recetor laser 25 afastados de suportes de dados magnéticos e aparelhos magneticamente sensíveis.** O efeito dos ímãs pode causar perdas de dados irreversíveis.

## Descrição do produto e da potência

### Utilização conforme as disposições

O instrumento de medição é adequado para trabalhos de nivelamento com a ajuda de linhas horizontais, linhas verticais e um ponto de prumada.

### Componentes ilustrados

A numeração dos componentes ilustrados refere-se à apresentação do instrumento de medição na página de esquemas.

- 1 Abertura para saída do raio laser
- 2 Travamento da tampa do compartimento da pilha
- 3 Tampa do compartimento da pilha
- 4 Número de série
- 5 Placa de advertência laser
- 6 Ranhuras de fixação do instrumento de medição
- 7 Interruptor de ligar-desligar
- 8 Nível de bolha de ar da plataforma rotativa
- 9 Alojamento do tripé 5/8"
- 10 Parafuso de ajuste da altura da plataforma rotativa
- 11 Parafuso de ajuste preciso da plataforma rotativa
- 12 Plataforma rotativa
- 13 Ranhuras de fixação da plataforma rotativa
- 14 Indicação de trabalhos sem nivelamento automático
- 15 Indicação da função de pulsação
- 16 Indicação da pilha/Aviso da pilha
- 17 Tecla da função de pulsação
- 18 Tecla do modo vertical
- 19 Tecla do modo horizontal
- 20 Placa de medição com pé\*
- 21 Tripé\*
- 22 Bolsa de proteção
- 23 Óculos para visualização de raio laser\*
- 24 Placa magnética\*
- 25 Recetor de laser\*
- 26 Vara telescópica\*
- 27 Dispositivo de fixação\*

\* **Acessórios apresentados ou descritos não pertencem ao volume de fornecimento.**

### Dados técnicos

Laser de linha	GLL 5-50 X	
N.º do produto	3 601 K63 N..	
Raio de ação <sup>1)</sup>		
– Linhas laser standard	m	15
– com função de pulsação	m	10
– com recetor laser	m	5–50
– Ponto de prumada	m	5
Precisão de nivelamento das linhas laser, tipicamente <sup>2)</sup>	mm/m	± 0,2
Faixa de autonivelamento, tipicamente	°	± 3

1) A área de trabalho pode ser reduzida devido a condições ambientais (p. ex. insolação direta) desfavoráveis.

2) de fábrica

3) disponível apenas em combinação com a plataforma rotativa

\* protegido contra pó e projeção de água

O número de série 4 sobre a placa de características serve para a identificação inequívoca do seu instrumento de medição.

## 26 | Português

Laser de linha		GLL 5-50 X	
Tempo de nivelamento, tipicamente	s		< 4
Temperatura de funcionamento	°C	- 10 ...	+ 45
Temperatura de armazenamento	°C	- 20 ...	+ 70
Máx. humidade relativa do ar	%		90
Classe de laser			2
Tipo de laser	nm	630 – 650	
	mW		< 1
C <sub>6</sub>			1
Mínima duração de impulso	ms		1,25
Encaixe do tripé <sup>3)</sup>	"		5/8
Pilhas		4 x 1,5 VLR6 (AA)	
Tempo de autonomia aprox.			
– com 1 linha laser	h		24
– com 2 linhas laser	h		14
– com 3 linhas laser	h		10
– com 5 linhas laser	h		6
Peso conforme EPTA-Procedure 01:2014	kg		0,54
Dimensões (comprimento x largura x altura)			
– sem plataforma rotativa	mm	122 x 83 x 129	
– com plataforma rotativa	mm	Ø 151 x 203	
Tipo de proteção (exceto compartimento das pilhas)			IP 54*
1) A área de trabalho pode ser reduzida devido a condições ambientais (p. ex. insolação direta) desfavoráveis.			
2) de fábrica			
3) disponível apenas em combinação com a plataforma rotativa			
* protegido contra pó e projeção de água			
O número de série 4 sobre a placa de características serve para a identificação inequívoca do seu instrumento de medição.			

## Montagem

### Introduzir/substituir pilhas

Para o funcionamento do instrumento de medição é recomendável usar pilhas de manganês alcalinas.

Para abrir a tampa do compartimento da pilha 3 é necessário premir o travamento 2 e retirar a tampa do compartimento. Colocar as pilhas ou os acumuladores. Observar a polaridade correcta de acordo com o lado interior do compartimento das pilhas.

Se o aviso de bateria piscar 16, tem de trocar as pilhas.

Sempre substituir todas as pilhas ao mesmo tempo. Só utilizar pilhas de uma marca e com a mesma capacidade.

► **Retirar as pilhas do instrumento de medição, se não for utilizado por tempo prolongado.** As pilhas podem corroer-se ou descarregar-se no caso de um armazenamento prolongado.

### Utilização da plataforma rotativa (veja figura A)

Coloque o instrumento de medição no assento da ferramenta da plataforma rotativa 12, de modo a que as ranhuras de fixação 13 da plataforma rotativa passem entre as respetivas ranhuras 6 na parte de baixo do instrumento de medição. Rode o instrumento de medição no sentido horário, para o bloquear na plataforma rotativa.

Desaperte e remova as pernas da plataforma rotativa com os parafusos de ajuste em altura 10. Alinhe aproximadamente a plataforma rotativa com a ajuda do nível de bolha de ar 8.

## Funcionamento

### Colocação em funcionamento

- **Proteger o instrumento de medição contra humidade ou insolação direta.**
- **Não sujeitar o instrumento de medição a temperaturas extremas nem a oscilações de temperatura.** Não deixá-lo p. ex. dentro de um automóvel durante muito tempo. No caso de grandes variações de temperatura deverá deixar o instrumento de medição alcançar a temperatura de funcionamento antes de colocá-lo em funcionamento. No caso de temperaturas ou de oscilações de temperatura extremas é possível que a precisão do instrumento de medição seja prejudicada.
- **Evitar que o instrumento de medição sofra fortes golpes ou quedas.** Após fortes influências exteriores sobre o instrumento de medição, deveria sempre realizar um controlo de precisão antes de continuar a trabalhar (ver "Exactidão de nivelamento").
- **Desligue o instrumento de medição antes de transportá-lo.** A unidade de nivelamento é bloqueada logo que o instrumento for desligado, caso contrário poderia ser danificada devido a fortes movimentos.

### Ligar e desligar

Para **Ligar** o instrumento de medição, desloque o interruptor de ligar/desligar 7 para a posição "On" (para trabalhos sem nivelamento automático) ou para a posição "On" (para trabalhos com nivelamento automático). A indicação da pilha 16 acende-se e o instrumento de medição projeta imediatamente uma linha laser horizontal a partir do ponto de saída dianteiro 1.

► **Não apontar o raio laser na direção de pessoas nem de animais, e não olhar no raio laser, nem mesmo de maiores distâncias.**

Para **Desligar** o instrumento de medição, desloque o interruptor de ligar/desligar 7 para a posição "Off". A indicação da pilha 16 apaga-se. Ao desligar, a unidade pendular bloqueia. Ao ultrapassar a máxima temperatura de funcionamento admissível de 45 °C, o aparelho é desligado para proteger o diodo de laser. Após o arrefecimento, o instrumento de medição estará novamente pronto para funcionar e pode ser ligado novamente.



### Desativar a desconexão automática

O instrumento de medição desliga-se automaticamente após 30 min. de funcionamento. Para desativar o dispositivo de desligamento automático, ao ligar o instrumento de medição, prima a tecla do modo vertical **18** ou a tecla do modo horizontal **19** durante 3 s. Se o dispositivo de desligamento automático estiver desativado, as linhas laser piscam brevemente após 3 s.

► **Não deixar o instrumento de medição ligado sem vigilância e desligar o instrumento de medição após a utilização.** Outras pessoas poderiam ser cegadas pelo raio laser.

Para ativar o desligamento automático, desligue o instrumento de medição e volte a ligá-lo (sem premir outras teclas).

### Modos de operação (veja figura B – D)

Os modos horizontal e vertical podem ser ligados e desligados de forma independente. É possível usar todos os modos de operação com ou sem nivelamento automático.

#### Funcionamento horizontal

Quando se liga o instrumento de medição, este encontra-se no modo horizontal e projeta uma linha laser horizontal para frente.

Para ligar ou desligar a linha laser horizontal, prima a tecla do modo horizontal **19**.

#### Modo vertical e ponto de prumada

O instrumento de medição dispõe de vários modos de operação vertical:

- Linha laser vertical para a frente
- Linha laser vertical para a frente e para o lado esquerdo
- Linha laser vertical para a frente e para trás
- Linhas laser verticais para os quatro lados

Além disso, em todos os modos de operação vertical é projetado um ponto de prumada para baixo.

Para ligar/desligar o modo vertical ou para mudar o modo de operação vertical, prima a tecla do modo vertical **18** as vezes necessárias até alcançar o modo de operação desejado.

Se o instrumento de medição se encontrar montado na plataforma rotativa **12**, com o parafuso de ajuste preciso **11**, pode alinhar as linhas laser verticais de modo exato com os pontos de referência.

#### Função de pulsação

Para o trabalho com o recetor de laser **25** é necessário que a função de pulsação seja ativada – independentemente do tipo de funcionamento selecionado –.


Na função de pulsação as linhas de laser piscam com uma frequência muito alta, de modo que podem ser encontradas pelo recetor de laser **25**.

Para ligar a função de pulsação, prima a tecla **17**. Com a função de pulsação ligada, a indicação **15** acende-se a vermelho. Com a função de pulsação ligada, a visibilidade das linhas de laser, para o olho humano, é reduzida. Para trabalhos sem o recetor de laser deverá portanto desligar a função de pulsação premindo novamente a tecla **17**. Quando a função de pulsação está desligada, a indicação **15** se apaga.

### Nivelamento automático

#### Trabalhar com o nivelamento automático

Coloque o instrumento de medição sobre uma base firme e horizontal, ou fixe-o na plataforma rotativa **12**.

Para trabalhos com nivelamento automático, desloque o interruptor de ligar/desligar **7** para a posição “ On”.


O nivelamento automático compensa automaticamente desníveis de  $\pm 3^\circ$  dentro da faixa de autonivelamento. O nivelamento está encerrado, assim que as linhas de laser não se movimentam mais.

Se não for possível efetuar o nivelamento automático, p. ex. porque a superfície de apoio do instrumento de medição se desvia mais de  $3^\circ$  dos planos horizontais, as linhas laser começam a piscar num ritmo acelerado.

Coloque o instrumento de medição na horizontal e aguarde pelo autonivelamento. Assim que o instrumento de medição se encontrar na área de autonivelamento de  $\pm 3^\circ$ , as linhas laser ficam acesas de modo permanente.

Em caso de vibrações ou de alteração da posição durante o funcionamento, o instrumento de medição volta a ser nivelado automaticamente. Após um novo nivelamento, verifique a posição das linhas laser relativamente aos pontos de referência, para evitar erros.

#### Trabalhos sem nivelamento automático

Para trabalhos sem nivelamento automático, desloque o interruptor de ligar/desligar **7** para a posição “ Off”. Com o nivelamento automático desligado, a indicação **14** acende-se a vermelho e as linhas laser piscam de modo contínuo num ritmo lento.

Com o nivelamento automático desligado, é possível segurar o instrumento de medição nas mãos ou colocá-lo sobre uma superfície inclinada. As linhas de laser não percorrem necessariamente perpendicularmente uma em direção da outra.

### Exatidão de nivelamento

#### Influências sobre a precisão

A temperatura ambiente é o fator que tem a maior influência. O raio laser pode especialmente ser desviado por diferenças de temperatura que percorrem do chão para cima.

Uma vez que a estratificação térmica é superior junto ao solo, se possível, o instrumento de medição deve ser montado no tripé **21** e colocado no centro da superfície de trabalho.

Para além das influências externas, também as influências específicas do aparelho (como p. ex. quedas ou pancadas fortes) podem causar desvios. Verifique, por isso, a precisão de nivelamento antes de iniciar o trabalho.

Comece por verificar a precisão da altura e do nivelamento da linha laser horizontal, e depois a precisão de nivelamento das linhas laser verticais.

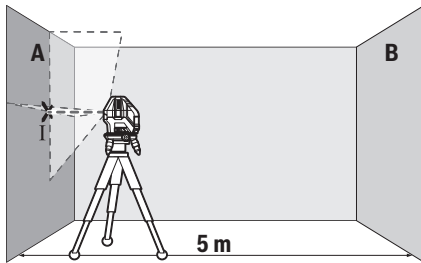
Se o instrumento de medição ultrapassar a divergência máxima num dos controlos, deverá ser reparado por um serviço pós-venda Bosch.

## 28 | Português

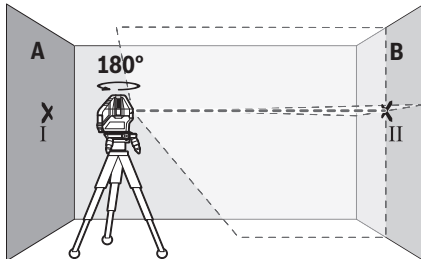
**Controlar a exatidão da altura da linha horizontal**

Para o controlo é necessária uma distância de 5 m, livre de obstáculos, sobre solo firme entre duas paredes A e B.

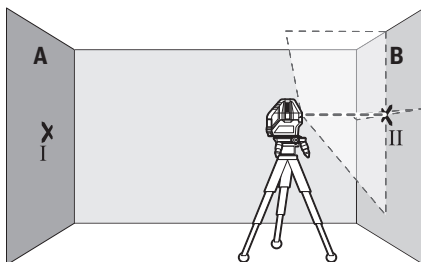
- Monte o instrumento de medição perto da parede A na plataforma rotativa ou num tripé, ou coloque-o sobre uma base firme e plana. Ligue o instrumento de medição no modo com nivelamento automático. Ligue o modo horizontal e um modo de operação vertical à escolha.



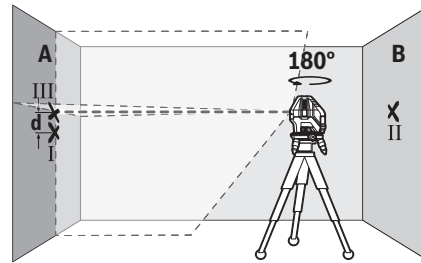
- Apontar o laser para a parede A próxima e permitir que o instrumento de medição possa se nivelar. Marcar o centro do ponto, no qual as linhas de laser se cruzam na parede (ponto I).



- Girar o instrumento de medição 180°, permitir que possa se nivelar e marcar o ponto de cruzamento das linhas de laser na parede B oposta (ponto II).
- Posicionar o instrumento de medição – sem girar – perto da parede B, ligá-lo e aguardar o nivelamento.



- Alinhar o instrumento de medição na altura (com o tripé ou se necessário, colocando algo por baixo), de modo que o ponto de cruzamento das linhas de laser atinja exatamente o ponto marcado anteriormente II na parede B.



- Girar o instrumento de medição 180°, sem modificar a altura. Alinhá-lo à parede A, de modo que a linha de laser vertical passe pelo ponto I marcado anteriormente. Aguardar o fim do nivelamento do instrumento de medição e marcar o ponto de cruzamento das linhas de laser na parede A (ponto III).
- A diferença  $d$  entre os dois pontos marcados I e III sobre a parede A, é a divergência real da altura do instrumento de medição.

Para saber qual o desvio máximo permitido  $d_{\text{máx}}$ , use o cálculo seguinte:

$d_{\text{máx}}$  = dobro da distância das paredes  $\times 0,2$  mm/m

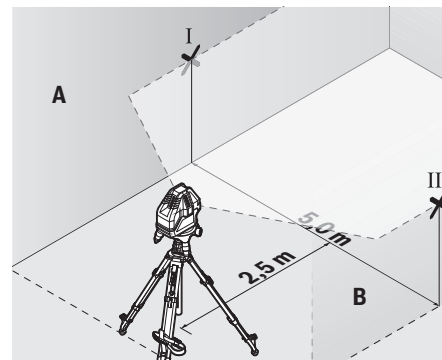
Exemplo: no caso de uma distância das paredes de 5 m, o desvio máximo deve ser de

$d_{\text{máx}} = 2 \times 5 \text{ m} \times 0,2 \text{ mm/m} = 2 \text{ mm}$ . As marcas podem encontrar-se a uma altura máxima de 2 mm entre si.

**Controlar a exatidão do nivelamento da linha horizontal**

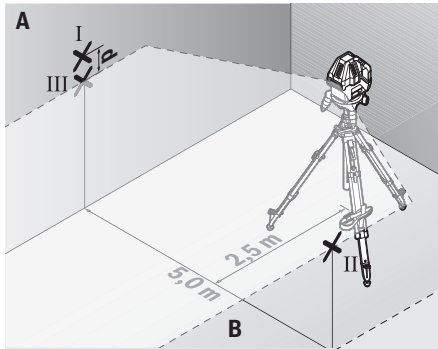
Para o controlo é necessária uma superfície livre de obstáculos de aprox. 5 x 5 m.

- Monte o instrumento de medição ao centro, entre as paredes A e B na plataforma rotativa ou num tripé, ou coloque-o sobre uma base firme e plana. Ligue o instrumento de medição no modo com nivelamento automático. Ligue o modo horizontal e deixe o instrumento de medição proceder ao nivelamento.



- Marcar, a 2,5 m de distância do instrumento de medição, em ambas as paredes, o centro da linha de laser (ponto I na parede A e ponto II na parede B).





- Girar o instrumento de medição 180° e colocá-lo a 5 m de distância, permitindo que possa se nivelar.
- Alinhar o instrumento de medição na altura (com o tripé ou se necessário, colocando algo por baixo), de modo que o centro da linha de laser atinja exatamente o ponto II marcado anteriormente na parede B.
- Marcar na parede A o centro da linha de laser como ponto III (na vertical, acima ou abaixo do ponto I).
- A diferença  $d$  entre os dois pontos marcados I e III sobre a parede A, é a divergência real do instrumento de medição em relação à horizontal.

Para saber qual o desvio máximo permitido  $d_{\text{máx}}$ , use o cálculo seguinte:

$d_{\text{máx}}$  = dobro da distância das paredes x 0,2 mm/m

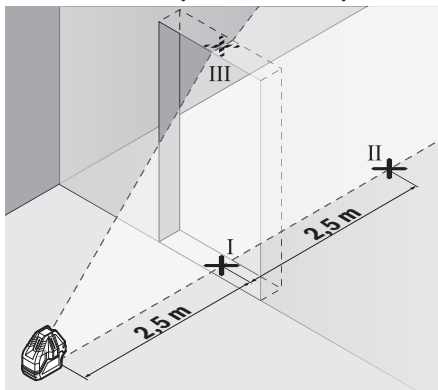
Exemplo: no caso de uma distância das paredes de 5 m, o desvio máximo deve ser de

$d_{\text{máx}} = 2 \times 5 \text{ m} \times 0,2 \text{ mm/m} = 2 \text{ mm}$ . As marcas podem encontrar-se a uma altura máxima de 2 mm entre si.

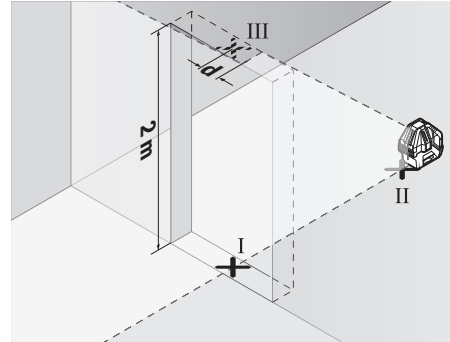
#### Controlar a exatidão do nivelamento das linhas verticais

Para o nivelamento é necessário um vão de porta, com no mínimo 2,5 m de espaço de cada lado do vão (sobre chão firme).

- Coloque o instrumento de medição a 2,5 m de distância da abertura da porta sobre uma base firme e plana (não sobre a plataforma rotativa ou um tripé). Ligue o instrumento de medição no modo com nivelamento automático. Ligue o modo vertical com todas as linhas laser verticais e alinhe a linha laser vertical dianteira com a abertura da porta. Deixe o instrumento de medição executar a nivelção.



- Marcar o centro da linha de laser vertical no chão do vão de porta (ponto I), numa distância de 5 m, do outro lado do vão de porta (ponto II), como também no canto superior do vão de porta (ponto III).



- Colocar o instrumento de medição no outro lado do vão de porta, diretamente atrás do ponto II. Permitir que o instrumento de medição possa se nivelar e alinhe a linha de laser vertical de modo que o seu centro percorra exatamente pelos pontos I e II.
- A diferença  $d$  entre o ponto III e o centro da linha de laser, no canto superior do vão de porta, é a divergência real entre o instrumento de medição e a vertical.
- Medir a altura do vão de porta.

Para saber qual o desvio máximo permitido  $d_{\text{máx}}$ , use o cálculo seguinte:

$d_{\text{máx}}$  = dobro da altura da abertura da porta x 0,2 mm/m

Exemplo: no caso de uma altura da abertura da porta de 2 m, o desvio máximo deve ser de

$d_{\text{máx}} = 2 \times 2 \text{ m} \times 0,2 \text{ mm/m} = 0,8 \text{ mm}$ . As marcas podem encontrar-se a uma altura máxima de 0,8 mm entre si.

#### Indicações de trabalho

- ▶ **Para marcar só deve ser utilizado o centro do ponto do raio laser ou da linha de laser.** O tamanho do ponto de laser ou da largura da linha de laser se modificam com a distância.

#### Óculos para visualização de raio laser (acessório)

Os óculos de visualização de raio laser filtram a luz ambiente. Com isto a luz vermelha do laser parece mais clara para os olhos.

- ▶ **Não utilizar óculos de visualização de raio laser como óculos de proteção.** Óculos de visualização de raio laser servem para reconhecer o raio laser com maior facilidade, e portanto, não protegem contra radiação laser.
- ▶ **Não utilizar óculos de visualização de raio laser como óculos de proteção, nem no trânsito rodoviário.** Óculos de visualização de raio laser não oferecem uma completa proteção contra raios UV e reduzem a percepção de cores.

**30 | Türkçe****Trabalhar com recetor de laser (acessório)**

Sob condições de iluminação desfavoráveis (ambiente claro, raios solares diretos) e maiores distâncias, deverá usar um recetor de laser **25** para encontrar as linhas de laser com maior facilidade. Ligar a função de pulsação para trabalhar com o recetor de laser (veja "Função de pulsação", página 27).

**Trabalhar com o tripé (acessório) (veja figura E)**

Um tripé assegura uma base de medição estável e ajustável em altura. Monte o instrumento de medição na plataforma rotativa **12**. Coloque a plataforma rotativa com o suporte de tripé de 5/8" **9** na rosca do tripé **21** ou num tripé convencional. Fixe a plataforma rotativa com o parafuso de fixação do tripé.

**Trabalhar com a placa de medição (acessório) (veja figuras F – G)**

Com a placa de medição **20** é possível transferir a marcação de laser para o chão ou a altura do laser para uma parede.

Com o campo nulo e com a escala é possível marcar o deslocamento em relação à altura desejada e transferir para um outro local. Desta forma não é mais necessário ajustar o instrumento de medição exatamente à altura a ser transferida.

A placa de medição **20** possui uma camada de reflexão, que melhora a visibilidade do raio laser em maiores distâncias ou a forte incidência de raios solares. A intensificação da claridade só pode ser reconhecida, se olhar para a placa de medição, paralelamente ao raio laser.

**Exemplos de trabalhos (veja figuras B – E)**

Nas páginas de gráficos encontram-se exemplos das diversas aplicações do instrumento de medição.

**Manutenção e serviço****Manutenção e limpeza**

Só armazenar e transportar o instrumento de medição na bolsa de proteção fornecida.

Manter o instrumento de medição sempre limpo.

Não mergulhar o instrumento de medição na água ou em outros líquidos.

Limpar sujidades com um pano húmido e macio. Não utilizar produtos de limpeza nem solventes.

Limpar regularmente, em especial, as superfícies em volta da abertura de saída do laser e verificar que não hajam pelos.

Em caso de reparações, enviar o instrumento de medição dentro da bolsa de proteção **22**.

**Serviço pós-venda e consultoria de aplicação**

O serviço pós-venda responde às suas perguntas a respeito de serviços de reparação e de manutenção do seu produto, assim como das peças sobressalentes. Desenhos explodidos e informações sobre peças sobressalentes encontram-se em: [www.bosch-pt.com](http://www.bosch-pt.com)

A nossa equipa de consultoria de aplicação Bosch esclarece com prazer todas as suas dúvidas a respeito da compra, aplicação e ajuste dos produtos e acessórios.

Indique para todas as questões e encomendas de peças sobressalentes a referência de 10 dígitos de acordo com a placa de características do produto.

**Portugal**

Robert Bosch LDA  
Avenida Infante D. Henrique  
Lotes 2E – 3E  
1800 Lisboa  
Para efetuar o seu pedido online de peças entre na página [www.ferramentasbosch.com](http://www.ferramentasbosch.com).  
Tel.: 21 8500000  
Fax: 21 8511096

**Brasil**

Robert Bosch Ltda.  
Caixa postal 1195  
13065-900 Campinas  
Tel.: (0800) 7045446  
[www.bosch.com.br/contacto](http://www.bosch.com.br/contacto)

**Eliminação**

Instrumentos de medição, acessórios e embalagens devem ser enviados a uma reciclagem ecológica de matéria-prima. Não deitar os instrumentos de medição e acumuladores/pilhas no lixo doméstico!

**Apenas países da União Europeia:**

Conforme as Diretivas Europeias 2012/19/UE relativa aos resíduos de instrumentos de medição europeias 2006/66/CE é necessário recolher separadamente os acumuladores/as pilhas defeituosos ou gastos e conduzi-los a uma reciclagem ecológica.

Sob reserva de alterações.

**Türkçe****Güvenlik Talimatı**

**Ölçme cihazı ile tehlikesiz ve güvenli biçimde çalışabilmek için bütün güvenlik talimatını ve uyarıları okuyun. Ölçme cihazı bu talimata göre kullanılmadığı takdirde alete entegre koruma önlemlerinin işlevi kısıtlanabilir. Ölçme cihazı üzerindeki uyarı etiketlerini hiçbir zaman görünmez duruma getirmeyin. BU TALİMATLARI İYİ VE GÜVENLİ BİR YERDE SAKLAYIN VE ÖLÇME CİHAZINI BAŞKASINA VERDİĞİNİZDE BUNLARI DA BİRLİKTE VERİN.**

► **Dikkat – Burada belirtilen kullanım veya ayar hükümlerine uyulmadığı veya başka yöntemler kullanıldığı takdirde cihazın çıkaracağı ışınlar kullanıcı için tehlikeli olabilir.**

- **Bu elektrikli el aleti bir uyarı etiketi ile teslim edilir (grafik sayfasındaki ölçme cihazının şekli üzerinde 5 numara ile gösterilmektedir).**



- **Uyarı etiketindeki metin kendi dilinizde değilse, ilk kullanımdan önce cihaz ekinde teslim edilen kendi dilinizdeki uyarı etiketini mevcut uyarı etiketi üzerine yapıştırın.**



**Lazer ışını başkalarına veya hayvanlara doğrultmayın ve kendiniz de doğrudan veya yansıyarak gelen lazer ışınına bakmayın.** Aksi takdirde başkalarının gözünü kamaştırabilir, kazalara neden olabilir veya gözlerde hasara neden olabilirsiniz.

- **Lazer ışını gözünüze gelecek olursa gözlerinizi bilinçli olarak kapatın ve hemen başınızı başka tarafa çevirin.**
- **Lazer donanımında hiçbir değişiklik yapmayın.**
- **Lazer gözlüğünü güneş gözlüğü olarak kullanmayın.** Lazer gözlüğü insan gözünü lazer ışınından korumaz, ancak lazer ışınının daha iyi görülmesini sağlar.
- **Lazer gözlüğünü güneş gözlüğü olarak veya trafikte kullanmayın.** Lazer gözlüğü mor ötesi ışınlarına (UV) karşı tam olarak koruma sağlamaz ve renk algılamasını azaltır.
- **Ölçme cihazını sadece kalifiye uzmanlara ve orijinal yedek parça kullanma koşulu ile onartın.** Bu yolla ölçme cihazının güvenliğini her zaman sağlarsınız.
- **Çocukların denetiminiz dışında lazerli ölçme cihazını kullanmasına izin vermeyin.** Çocuklar istemeden başkalarının gözünü kamaştırabilir.
- **Bu ölçme cihazı ile yakınında yanıcı sıvılar, gazlar veya tozların bulunduğu patlama tehlikesi olan yerlerde çalışmayın.** Ölçme cihazı içinde toz veya buharları tutuşturabilecek kıvılcımlar üretilir.



**Ölçme cihazını ve lazer algılayıcıyı 25 kalp pillerinin yakınına getirmeyin.** Ölçme cihazı içindeki mıknatıs ve lazer algılayıcının manyetik plakası 24 nedeniyle kalp pillerinin işlevini olumsuz yönde etkileyebilecek bir alan oluşturur.

- **Ölçme cihazını ve lazer algılayıcıyı 25 manyetik veri taşıyıcılardan ve manyetik açıdan hassas cihazlardan uzak tutun.** Mıknatısların etkisi ile geri dönüşü mümkün olmayan veri kayıpları ortaya çıkabilir.

## Ürün ve işlev tanımı

### Usulüne uygun kullanım

Bu ölçme cihazı, yatay çizgiler (hatlar), dikey çizgiler ve bir dikey çizgi (şakül) yardımı ile nivelman işleri yapmak üzere tasarlanmıştır.

### Şekli gösterilen elemanlar

Şekli gösterilen cihaz elemanlarının numaraları ölçme cihazının şeklinin bulunduğu grafik sayfasında bulunmaktadır.

- 1 Lazer ışını çıkış deliği
- 2 Batarya gözü kapak kilidi
- 3 Batarya gözü kapağı
- 4 Seri numarası
- 5 Lazer uyarı etiketi
- 6 Ölçme cihazı sabitleme olukları
- 7 Açma/kapama şalteri
- 8 Döner platform su terazisi
- 9 Sehpa girişi 5/8"
- 10 Döner platform yükseklik ayar vidası
- 11 Döner platform hassas ayar vidası
- 12 Döner platform
- 13 Döner platform sabitleme olukları
- 14 Nivelman otomatığı olmadan çalışma göstergesi
- 15 İmpuls fonksiyonları göstergesi
- 16 İşletme göstergesi/batarya uyarısı
- 17 İmpuls fonksiyonu tuşu
- 18 Dikey işletme tuşu
- 19 Yatay işletme tuşu
- 20 Ayaklı ölçme latası\*
- 21 Sehpa\*
- 22 Koruyucu çanta
- 23 Lazer gözlüğü\*
- 24 Mıknatıslı plaka\*
- 25 Lazer algılayıcı\*
- 26 Teleskop kol\*
- 27 Mesnet\*

\*Şekli gösterilen veya tanımlanan aksesuar standart teslimat kapsamında değildir.

### Teknik veriler

Çizgisel lazer	GLL 5-50 X	
Ürün kodu		3 601 K63 N..
Çalışma alanı <sup>1)</sup>		
– Standart lazer çizgileri	m	15
– Atım (puls) fonksiyonlu	m	10
– Lazer algılayıcı ile	m	5–50
– Dikey çizgi (şakül)	m	5
Lazer çizgileri nivelman hassaslığı, tipik <sup>2)</sup>	mm/m	± 0,2
Otomatik nivelman, tipik	°	± 3
Nivelman süresi, tipik	s	< 4
İşletme sıcaklığı	°C	– 10 ... + 45
Saklama sıcaklığı	°C	– 20 ... + 70

1) Cihazın çalışma alanı elverişsiz ortam koşulları nedeniyle (örneğin; doğrudan gelen güneş ışını) küçülebilir.

2) Fabrika çıkışlı

3) Sadece döner platformla kombinasyon halinde

\* Toza ve püskürme suyuna karşı korunmalı

Ölçme cihazının tam olarak belirlenmesi tip etiketi üzerindeki seri numarası 4 ile olur.

## 32 | Türkçe

Çizgisel lazer	GLL 5-50 X	
Maksimum nispi hava nemi	%	90
Lazer sınıfı		2
Lazer tipi	nm	630–650
	mW	<1
C <sub>6</sub>		1
en kısa impuls süresi	ms	1,25
Sehpa yuvası <sup>3)</sup>	"	5/8
Bataryalar		4 x 1,5 V LRG (AA)
İşletme süresi yakl.		
– 1 lazer çizgisi ile	h	24
– 2 lazer çizgisi ile	h	14
– 3 lazer çizgisi ile	h	10
– 5 lazer çizgisi ile	h	6
Ağırlığı EPTA-Procedure 01:2014'e göre	kg	0,54
Ölçüleri		
(uzunluk x genişlik x yükseklik)		
– Döner platform olmadan	mm	122 x 83 x 129
– Döner platformlu	mm	Ø 151 x 203
Koruma türü		
(Batarya gözü dışında)		IP 54*

1) Cihazın çalışma alanı elverişsiz ortam koşulları nedeniyle (örneğin; doğrudan gelen güneş ışını) küçülebilir.

2) Fabrika çıkışlı

3) Sadece döner platformla kombinasyon halinde

\* Toza ve püskürme suyuna karşı korunmalı

Ölçme cihazınızın tam olarak belirlenmesi tip etiketi üzerindeki seri numarası 4 ile olur.

## Montaj

### Bataryaların takılması/değiştirilmesi

Bu ölçme cihazını çalıştırırken alkali mangan bataryaların kullanılması tavsiye olunur.

Batarya gözü kapağını **3** açmak için kilide **2** basın ve batarya gözü kapağını alın. Bataryaları yerleştirin. Batarya gözünün iç tarafındaki şekle bakarak doğru kutuplama yapın.

Batarya (pil) uyarısı **16** yanıp sönmeye başladığında bataryaları değiştirmeniz gerekir.

Daima bataryaların hepsini birden değiştirin. Aynı üreticinin aynı kapasitedeki bataryalarını kullanın.

► **Cihazınızı uzun süre kullanmayacaksanız bataryaları cihazdan çıkarın.** Uzun süre kullanılmayan bataryalar oksitlenir ve kendiliğinden boşalır.

### Döner platformun kullanılması (Bakınız: Şekil A)

Ölçme cihazını döner platformun **12** alet yuvasına, döner platform sabitleme olukları **13** ölçme cihazının alt tarafındaki ilgili oluklara **6** denk gelecek biçimde yerleştirin. Döner platform üzerinde kilitlenmesini sağlamak için ölçme cihazını saat hareket yönünde çevirin.

Döner platformun ayaklarını yükseklik ayar vidaları **10** ile sökün. Döner platformu su terazisi **8** yardımı ile kabaca doğrultun.

## İşletme

### Çalıştırma

- **Ölçme cihazınızı nemden/ıslaklıktan ve doğrudan güneş ışınından koruyun.**
- **Ölçme cihazını aşırı sıcaklıklara ve büyük sıcaklık değişikliklerine maruz bırakmayın.** Örneğin cihazı uzun süre otomobil içinde bırakmayın. Büyük sıcaklık değişikliklerinde ölçme cihazını çalıştırmadan önce bir süre sıcaklık dengelemesini bekleyin. Aşırı sıcaklıklarda veya büyük sıcaklık değişikliklerinde ölçme cihazının hassaslığı kaybolabilir.
- **Ölçme cihazının sık sık elinizden düşmemesine veya bir yere çarpmamasına dikkat edin.** Ölçme cihazına dışarıdan güçlü etkiler geldiğinde çalışmaya devam etmeden daima bir hassaslık kontrolü yapmalısınız (Bakınız: "Nivelman hassaslığı").
- **Taşırken ölçme cihazını kapatın.** Kapama esnasında pandül birimi kilitlenir, aksi takdirde aşırı hareketlerde hasar görülür.

### Açma/kapama

Ölçme cihazını **açmak** için açma/kapama şalterini **7 "On"** pozisyonuna (nivelman otomatığı olmadan çalışmak için) veya **"On"** pozisyonunu (nivelman otomatığı ile çalışmak için) itin. İşletme göstergesi **16** yanar ve ölçme cihazı ön çıkış deliğinden **1** hemen yatay bir lazer ışını gönderir.

► **Lazer ışınıni kişilere ve hayvanlara doğrultmayın ve uzak mesafeden de olsa lazer ışınına bakmayın.**

Ölçme cihazını **kapatmak** için açma/kapama şalterini **7 "Off"** pozisyonuna itin. İşletme göstergesi **16** söner. Cihaz kapanınca pandül birimi kilitlenir.

45 °C'lik en yüksek işletim sıcaklığının aşılması durumunda lazer diyotlarının korunması için cihaz kapanır. Soğuma olduktan sonra ölçme cihazı tekrar işletime hazırdır ve çalıştırılabilir.

### Kesme otomatığının pasifleştirilmesi

Ölçme cihazı 30 dakikalık işletme süresinden sonra otomatik olarak kapanır. Kapatma otomatığını pasif duruma getirmek için, cihazı açarken dikey işletme tuşunu **18** veya yatay işletme tuşunu **19** 3 saniye basılı tutun. Kapatma otomatığı pasif duruma gelince lazer ışınları yaklaşık 3 saniye sonra kısaca yanıp söner.

► **Açık durumdaki ölçme cihazını bırakıp gitmeyin ve işiniz bitince cihazı kapatın.** Lazer ışını başkalarının gözünüze alabilir.

Kapatma otomatığını etkin duruma getirmek için ölçme cihazını kapatın ve tekrar açın (tuş basılı olmadan).

### İşletim türleri (Bakınız: Şekiller B – D)

Yatay ve dikey işletme birbirinden bağımsız olarak açılıp kapatılabilir. Bütün işletme türleri hem nivelman otomatığı ile hem de nivelman otomatığı olmadan mümkündür.

### Yatay işletim

Açıldıktan sonra ölçme cihazı yatay işletmede bulunur ve öne doğru yatay bir lazer ışını gönderir.

Yatay lazer ışınıni kapatmak veya açmak için yatay işletme tuşuna **19** basın.

### Dikey işletme ve dikey çizgi (şakül)

Bu ölçme cihazının çeşitli dikey işletme türü vardır:

- Öne doğru lazer ışını
- Öne ve sol tarafa doğru dikey lazer ışını
- Öne ve arkaya doğru dikey lazer ışını
- Her dört tarafa doğru dikey lazer ışını

Bunlara ek olarak bütün dikey işletme türlerinde aşağı doğru dik bir ışın (şakül) üretilir.

Dikey işletmeyi açıp kapatmak veya dikey işletme türlerinde değiştirme yapmak için dikey işletme tuşuna **18** istediğiniz işletme türüne ulaşıncaya kadar basın.

Ölçme cihazı döner platforma **12** takıldığında lazer ışınlarını hassas ayar vidası **11** yardımı ile referans noktasına hassas biçimde doğrultabilirsiniz.

### İmpuls fonksiyonu

Lazer algılayıcı **25** ile çalışmak için seçilmiş bulunan işletim türünden bağımsız olarak impuls fonksiyonu aktif hale getirilmelidir.

İmpuls fonksiyonunda lazer ışınları çok yüksek bir frekansla yanıp söner ve lazer algılayıcı **25** için yakalanabilir hale gelirler. Atım (puls) fonksiyonunu açmak için tuşa **17** basın. Atım fonksiyonu açık durumda iken gösterge **15** kırmızı olarak yanar. İmpuls fonksiyonu açıkken lazer ışınının insan gözü tarafından görünmesi zorlaşır. Bu nedenle lazer algılayıcı olmadan çalışmak için impuls fonksiyonunu tuşa **17** yeniden basarak kapatın. İmpuls fonksiyonu kapalı iken gösterge **15** söner.

### Nivelman otomatığı

#### Nivelman otomatığı ile çalışmak

Ölçme cihazını yatay, sert ve düz bir zemine yerleştirin veya döner platforma **12** sabitleyin.

Nivelman otomatığı ile çalışmak için açma/kapama şalterini **7** “On” pozisyonuna itin.

Nivelman otomatığı (otomatik nivelman fonksiyonu)  $\pm 3^\circ$ ’lik otomatik nivelman alanındaki sapmaları dengeler. Lazer çizgileri hareketsiz durumda gelince nivelman işlemi tamamlanır. Örneğin ölçme cihazının yerleştirildiği yüzey yataylıktan  $3^\circ$  daha fazla saptığı için otomatik nivelman mümkün olmazsa, lazer ışınları hızlı tempo ile yanıp sönmeye başlar.

Ölçme cihazını yatay olarak yerleştirin ve otomatik nivelman işleminin tamamlanmasını bekleyin. Ölçme cihazı  $\pm 3^\circ$  otomatik nivelman alanına geldiğinde lazer ışınları sürekli olarak yanmaya başlar.

İşletme esnasındaki sarsıntılarda veya konum değişikliklerinde ölçme cihazı tekrar otomatik olarak nivelman yapar. Hatalardan kaçınmak için, yeni bir nivelmandan sonra, lazer çizgilerinin pozisyonunu, referans noktasını baz alarak kontrol edin.

#### Nivelman otomatığı olmadan çalışmak

Nivelman otomatığı olmadan çalışmak için açma/kapama şalterini **7** “On” pozisyonuna itin. Nivelman otomatığı kapalı durumda iken gösterge **14** kırmızı olarak yanar ve lazer ışınları sürekli olarak yavaş tempoda yanıp söner.

Nivelman otomatığı kapalı durumda iken ölçme cihazını serbestçe elinizde tutabilirsiniz veya eğimli bir zemine yerleştirebilirsiniz. Bu durumda lazer çizgileri zorunlu olarak birbirine dik seyretmez.

### Nivelman hassaslığı

#### Hassaslığı etkileyen faktörler

En büyük etkiyi çevre sıcaklığı gösterir. Özellikle zeminden tavana doğru oluşan sıcaklık farkları lazer ışını saptırabilir.

Sıcaklık tabakalaşması zemine yakın yerde en fazla olduğu için, mümkünse ölçme cihazını bir tripota **21** takmanız ve çalışma alanının ortasına yerleştirmeniz gerekir.

Dış etkilerin yanında cihaza özgü etkiler de (örneğin düşme veya şiddetli çarpmalar) sapmalara neden olabilir. Bu nedenle çalışma başlamadan önce her defasında nivelman hassaslığını kontrol edin.

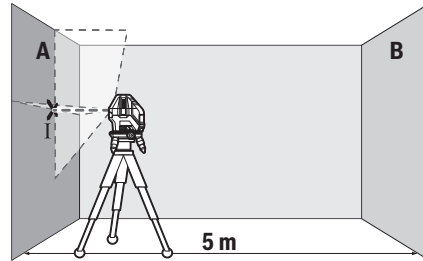
Önce yatay lazer ışınının yüksekliğini ve nivelman hassaslığını, sonra da dikey lazer ışınlarının nivelman hassaslığını kontrol edin.

Yaptığınız kontrollerde ölçme cihazı maksimum sapma sınırını aşacak olursa, cihazı bir Bosch müşteri hizmetine onarıma gönderin.

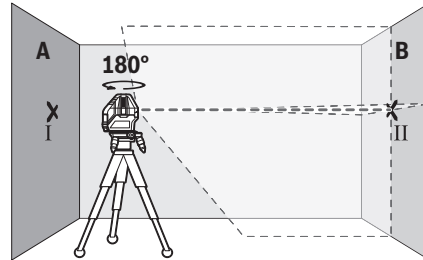
#### Yatay çizginin yükseklik hassasiyetinin kontrolü

Bu kontrol işlemi için sağlam bir zemindeki A ve B duvarları arasında 5 m’lik serbest bir hatta ihtiyacınız vardır.

- Ölçme cihazını A duvarının yakınına platforma veya tripota takın veya sert, düz bir zemine yerleştirin. Ölçme cihazını nivelman otomatikli işletmede açın. Yatay işletmeyi ve istediğiniz bir dikey işletme türünü açın.



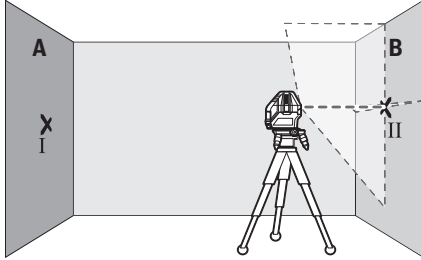
- Lazeri A duvarının yakınına yöneltin ve ölçme cihazının nivelmanını yapın. Duvarda gösterdiğiniz noktanın ortasını işaretleyin (Nokta I).



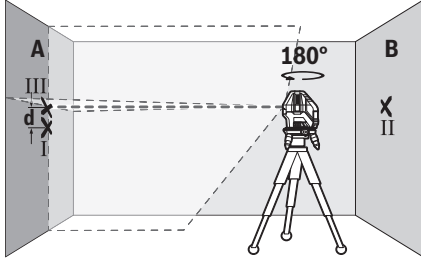
- Ölçme cihazını  $180^\circ$  döndürün, nivelmana bırakın ve karşı taraftaki B duvarındaki noktayı işaretleyin (Nokta II).

## 34 | Türkçe

- Ölçme cihazını döndürmeden – B duvarının – yakınına yerleştirin ve nivelmana bırakın.



- Ölçme cihazının yüksekliğini öyle ayarlayın ki (sehpa yardımı ile veya altını besleyerek), lazer ışınlarının kesişme noktası B duvarı üzerinde daha önce işaretlenmiş bulunan nokta II'ye gelsin.



- Yüksekliğini değiştirmeden ölçme cihazını 180° çevirin. Cihazı A duvarına öyle doğrultun ki, dikey lazer ışını işaretlenmiş bulunan nokta I'den geçsin. Ölçme cihazının nivelmanını yaptırın ve lazer ışınlarının A duvarındaki kesişme noktasını işaretleyin (Nokta III).
- A duvarında işaretlenmiş bulunan I ve III iki noktaları arasındaki  $d$  farkı ölçme cihazının gerçek yükseklik sapmasını verir.

İzin verilen maksimum sapma  $d_{max}$  şu şekilde hesaplanır:

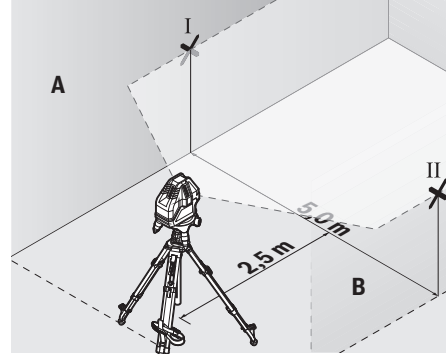
$$d_{max} = \text{Duvarların mesafesinin iki katı} \times 0,2 \text{ mm/m}$$

Örnek: Duvarlar arasındaki mesafe 5 m ise, maksimum sapma  $d_{max} = 2 \times 5 \text{ m} \times 0,2 \text{ mm/m} = 2 \text{ mm}$  olmalıdır. Bunun sonucu olarak işaretler birbirinden en fazla 2 mm ayrı olmalıdır.

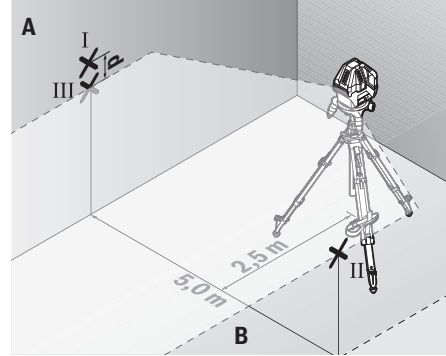
**Yatay çizginin nivelman hassaslığının kontrolü**

Kontrol için yaklaşık 5 x 5 m'lik boş bir alana ihtiyacınız vardır.

- Ölçme cihazını A ve B duvarlarının ortasında döner platforma veya tripota takın veya sert, düz bir zemine yerleştirin. Ölçme cihazını nivelman otomatikli işletmede açın. Yatay işletmeyi açın ve ölçme cihazının otomatik nivelman yapmasını sağlayın.



- Ölçme cihazından 2,5 m uzaklıktan her iki duvardaki lazer çizgisinin ortasını işaretleyin (A duvarındaki nokta I ve B duvarındaki nokta II).



- Ölçme cihazını 180° döndürerek 5 m uzaklığa yerleştirin ve nivelmana bırakın.
- Ölçme cihazının yüksekliğini öyle ayarlayın ki (sehpa yardımı ile veya altını besleme ile), lazer ışının ortası B duvarında daha önce işaretlenmiş bulunan nokta II'ye gelsin.
- A duvarında lazer çizgisinin ortasını nokta III olarak işaretleyin (nokta I'in üstünde veya alt 1nda dik).
- A duvarında işaretlenmiş bulunan I ve III noktaları arasındaki  $d$  farkı ölçme cihazının yataylıktan gösterdiği gerçek sapmayı verir.

İzin verilen maksimum sapma  $d_{max}$  şu şekilde hesaplanır:

$$d_{max} = \text{Duvarların mesafesinin iki katı} \times 0,2 \text{ mm/m}$$

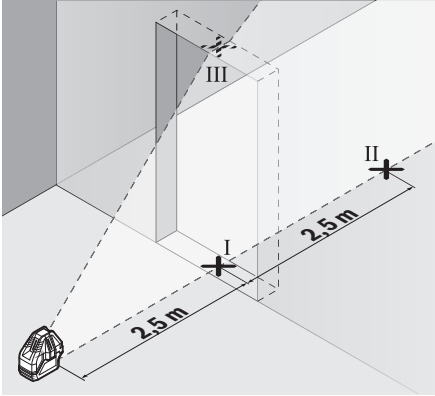
Örnek: Duvarlar arasındaki mesafe 5 m ise, maksimum sapma  $d_{max} = 2 \times 5 \text{ m} \times 0,2 \text{ mm/m} = 2 \text{ mm}$  olmalıdır. Bunun sonucu olarak işaretler birbirinden en fazla 2 mm ayrı olmalıdır.



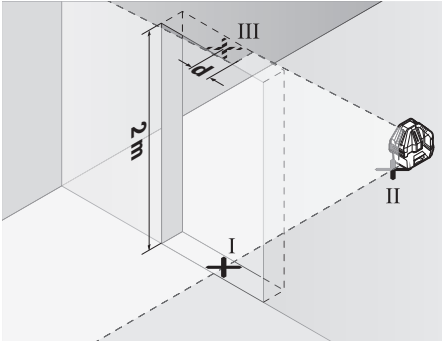
### Dikey çizgilerin nivelman hassaslığının kontrülü

Bu kontrol işlemi için her iki tarafında da en azından 2,5 m açık alan bulunan bir kapı aralığına ihtiyacınız vardır (zemin düz ve sert olmalıdır).

- Ölçme cihazı kapı açıklığından 2,5 m mesafede sert, düz bir zemine yerleştirin (döner platforma veya tripota değil). Ölçme cihazını nivelman otomatikli işletmede açın. Bütün dikey lazer ışını dikey işletmeyi açın ve ön dikey lazer ışını kapı açıklığına doğrultun. Ölçme cihazının nivelman yapmasını bekleyin.



- Dikey lazer ışınının ortasını kapı aralığı altında (nokta I), kapı aralığının öteki tarafından 5 m uzaklıkta (nokta II) ve kapı aralığının üst kenarında (nokta III) işaretleyin.



- Ölçme cihazını kapı aralığının öteki tarafında doğrudan nokta II'nin arkasına yerleştirin. Ölçme cihazını nivelmana bırakın ve dikey lazer ışınıni öyle doğrultun ki, ortası nokta I ve nokta II'den geçsin.
- İşaretlenmiş  $d$  nokta III ile kapı aralığının üst kenarındaki lazer ışınının ortası arasındaki  $d$  farkı ölçme cihazının dikeylikten olan gerçek sapmasını verir.
- Kapı aralığının yüksekliğini ölçün.

İzin verilen maksimum sapma  $d_{max}$  şu şekilde hesaplanır:

$$d_{max} = \text{Kapı açıklığı yüksekliğinin iki katı} \times 0,2 \text{ mm/m}$$

Örnek: Kapı açıklığı yüksekliği 2 m ise, maksimum sapma  $d_{max} = 2 \times 2 \text{ m} \times 0,2 \text{ mm/m} = 0,8 \text{ mm}$  olmalıdır. Bunun sonucu olarak işaretler birbirinden en fazla 0,8 mm ayrı olmalıdır.

### Çalışırken dikkat edilecek hususlar

- ▶ **İşaretleme yaparken daima lazer noktasının veya lazer çizgisinin ortasını kullanın.** Lazer noktasının büyüklüğü veya lazer çizgisinin genişliği uzaklık ile birlikte değişir.

#### Lazer gözlüğü (aksesuar)

Lazer gözlüğü çevredeki ışıkları filtre eder. Bu nedenle lazerin kırmızı ışığı göz tarafından daha parlak algılanır.

- ▶ **Lazer gözlüğünü güneş gözlüğü olarak kullanmayın.** Lazer gözlüğü insan gözünü lazer ışınından korumaz, ancak lazer ışınının daha iyi görülmesini sağlar.

- ▶ **Lazer gözlüğünü güneş gözlüğü olarak veya trafikte kullanmayın.** Lazer gözlüğü mor ötesi ışınlarına (UV) karşı tam olarak koruma sağlamaz ve renk algılamasını azaltır.

#### Lazer algılayıcı ile çalışmak (aksesuar)

Elverişsiz aydınlatma koşullarında (aşırı aydınlıkta, doğrudan güneş ışını altında) ve büyük mesafelerde lazer ışınlarını daha iyi bulabilmek için lazer algılayıcı **25** kullanın. Lazer algılayıcı ile çalışırken impuls fonksiyonunu açın (Bakınız: "İmpuls fonksiyonu", sayfa 33).

#### Sehpa ile çalışmak (aksesuar) (Bakınız: Şekil E)

Tripot stabil ve yüksekliği ayarlanabilir bir ölçme zemini sağlar. Ölçme cihazını döner platforma **12** takın. Döner platformun 5/8" tripot yuvasını **9** tripotun **21** veya piyasada bulunan bir yapı tripotunun dişlerine yerleştirin. Döner platformu tripotun sabitleme vidası ile sıkın.

#### Ölçme levhası ile çalışmak (aksesuar)

(Bakınız: Şekiller F - G)

Ölçme levhası **20** yardımı ile lazer işaretini zemine veya lazer yüksekliğinde duvara aktarabilirsiniz.

Sıfır alanı ve skala yardımı ile istenen yükseklikten farkı ölçerek öteki tarafa aktarabilirsiniz. Bu sayede ölçme cihazının aktarılabilecek yüksekliğe hassas biçimde ayarlanması gerekmez.

Ölçme levhasının **20** yansıtıcı bir kaplaması vardır ve bu kaplama lazer ışınının uzak mesafelerden veya şiddetli güneş ışığında görünürlüğünü artırır. Parlaklığın güçlendirildiğini ancak lazer ışınına paralel olarak ölçme levhasına bakınca fark edersiniz.

#### İş örnekleri (Bakınız: Şekiller B - E)

Ölçme cihazının kullanım olanakları için grafik sayfasına bakınız.

## Bakım ve servis

### Bakım ve temizlik

Ölçme cihazını daima birlikte teslim edilen koruyucu çanta içinde saklayın ve taşıyın.

Ölçme cihazını daima temiz tutun.

Ölçme cihazını hiçbir zaman suya veya başka sıvılara daldırmayın.

Kirleri ve pislikleri nemli, temiz bir bezle silin. Deterjan veya çözücü madde kullanmayın.

Özellikle lazer ışını çıkış deliği alanını düzenli olarak temizleyin ve kullandığınız bezin havanın dökülmemesine dikkat edin.

Onarılması gerektiğinde ölçme cihazını koruyucu çanta **22** içinde yollayın.

**36 | Türkçe****Müşteri hizmeti ve uygulama danışmanlığı**

Müşteri hizmeti ürününüzün onarım, bakım ve yedek parçalarına ilişkin sorularınızı yanıtladılır. Demonte görüşmeler ve yedek parçalara ilişkin ayrıntılı bilgiyi aşağıdaki Web sayfasında bulabilirsiniz:

**www.bosch-pt.com**

Bosch uygulama danışmanlığı ekibi ürünlerimize ve ilgili aksesuarla ilişkin sorularınızda size memnuniyetle yardımcı olur.

Bütün başvuru ve yedek parça siparişlerinizde ürünün tip etiketi üzerindeki 10 haneli ürün kodunu mutlaka belirtin.

**Türkçe**

Bosch Sanayi ve Ticaret A.Ş.  
Aydınevler Mah. İnönü Cad. No:20  
Ofis Park A Blok  
34854 Kucukyali/Maltepe  
Tel.: 444 80 10  
Fax: +90 216 432 00 82  
E-Mail: iletisim@bosch.com.tr  
İdeal Elektronik Bobinaj  
Yeni San. Sit. Cami arkası No: 67  
Aksaray  
Tel.: 0382 2151939  
Tel.: 0382 2151246

Bulsan Elektrik  
İstanbul Cad. Devrez Sok. İstanbul Çarşısı  
No: 48/29 İskitler  
Ankara  
Tel.: 0312 3415142  
Tel.: 0312 3410203

Faz Makine Bobinaj  
Sanayi Sit. 663 Sok. No: 18  
Antalya  
Tel.: 0242 3465876  
Tel.: 0242 3462885

Örsel Bobinaj  
1. San. Sit. 161. Sok. No: 21  
Denizli  
Tel.: 0258 2620666

Bulut Elektrik  
İstasyon Cad. No: 52/B Devlet Tiyatrosu Karşısı  
Elazığ  
Tel.: 0424 2183559

Körfez Elektrik  
Sanayi Çarşısı 770 Sok. No: 71  
Erzincan  
Tel.: 0446 2230959

Ege Elektrik  
İnönü Bulvarı No: 135 Muğla Makasarası Fethiye  
Fethiye  
Tel.: 0252 6145701

Değer İş Bobinaj  
İsmetpaşa Mah. İlk Belediye Başkan Cad. 5/C Şahinbey  
Gaziantep  
Tel.: 0342 2316432

Çözüm Bobinaj  
İsmetpaşa Mah. Eski Şahinbey Belediyesi altı Cad. No: 3/C  
Gaziantep  
Tel.: 0342 2319500

Onarım Bobinaj  
Raifpaşa Cad. No: 67 İskenderun  
Hatay  
Tel.: 0326 6137546

Günşah Otomotiv  
Beylikdüzü Sanayi Sit. No: 210 Beylikdüzü  
İstanbul  
Tel.: 0212 8720066

Aygem  
10021 Sok. No: 11 AOSB Çiğli  
İzmir  
Tel.: 0232 3768074

Sezmen Bobinaj  
Ege İş Merkezi 1201/4 Sok. No: 4/B Yenisehir  
İzmir  
Tel.: 0232 4571465

Ankaralı Elektrik  
Eski Sanayi Bölgesi 3. Cad. No: 43  
Kayseri  
Tel.: 0352 3364216

Asal Bobinaj  
Eski Sanayi Sitesi Barbaros Cad. No: 24  
Samsun  
Tel.: 0362 2289090

Üstündağ Elektrikli Aletler  
Nusretiye Mah. Boyacılar Aralığı No: 9  
Tekirdağ  
Tel.: 0282 6512884

**Tasfiye**

Tarama cihazı, aksesuar ve ambalaj malzemesi yeniden kazanım merkezine yollanmalıdır.

Ölçme cihazını ve aküleri/bataryaları evsel çöplerin içine atmayın!

**Sadece AB üyesi ülkeler için:**

Kullanım ömrünü tamamlamış elektro ve elektrikli aletlere ilişkin 2012/19/EU yönetmeliği uyarınca kullanım ömrünü tamamlamış akülü fenerler ve 2006/66/EC yönetmeliği uyarınca arızalı veya kullanım ömrünü tamamlamış aküler ayrı ayrı toplanmak ve çevre dostu bir yöntemle tasfiye edilmek üzere bir geri dönüşüm merkezine yollanmak zorundadır.

**Değişiklik haklarımız saklıdır.**



## Русский

В состав эксплуатационных документов, предусмотренных изготовителем для продукции, могут входить настоящее руководство по эксплуатации, а также приложения. Информация о подтверждении соответствия содержится в приложении.

Информация о стране происхождения указана на корпусе изделия и в приложении.

Дата изготовления указана на последней странице обложки Руководства или на корпусе изделия.

Контактная информация относительно импортера содержится на упаковке.

### Срок службы изделия

Срок службы изделия составляет 7 лет. Не рекомендуется к эксплуатации по истечении 5 лет хранения с даты изготовления без предварительной проверки (дату изготовления см. на этикетке).

### Перечень критических отказов и ошибочные действия персонала или пользователя

- не использовать при появлении дыма непосредственно из корпуса изделия
- не использовать на открытом пространстве во время дождя (в распыляемой воде)
- не включать при попадании воды в корпус

### Критерии предельных состояний

- поврежден корпус изделия

### Тип и периодичность технического обслуживания

Рекомендуется очистить инструмент от пыли после каждого использования.

### Хранение

- необходимо хранить в сухом месте
- необходимо хранить вдали от источников повышенных температур и воздействия солнечных лучей
- при хранении необходимо избегать резкого перепада температур
- если инструмент поставляется в мягкой сумке или пластиковом кейсе рекомендуется хранить инструмент в этой защитной упаковке
- подробные требования к условиям хранения смотрите в ГОСТ 15150 (Условие 1)

### Транспортировка

- категорически не допускается падение и любые механические воздействия на упаковку при транспортировке
- при разгрузке/погрузке не допускается использование любого вида техники, работающей по принципу зажима упаковки
- подробные требования к условиям транспортировки смотрите в ГОСТ 15150 (Условие 5)

## Указания по безопасности



**Для обеспечения безопасной и надежной работы с измерительным инструментом должны быть прочитаны и соблюдаться все инструкции. Использование измерительного инструмента не в соответствии с**

**настоящими указаниями чревато повреждением интегрированных защитных механизмов. Никогда не изменяйте до неузнаваемости предупредительные таблички на измерительном инструменте. ХОРОШО СОХРАНИТЕ ЭТУ ИНСТРУКЦИЮ И ПЕРЕДАВАЙТЕ ЕЕ ВМЕСТЕ С ПЕРЕДАЧЕЙ ИЗМЕРИТЕЛЬНОГО ИНСТРУМЕНТА.**

- ▶ **Внимание – использование других не упомянутых здесь элементов управления и регулирования или других методов эксплуатации может подвергнуть Вас опасному для здоровья излучению.**
- ▶ **Измерительный инструмент поставляется с предупредительной табличкой (на странице с изображением измерительного инструмента показана под номером 5).**



- ▶ **Если текст предупредительной таблички не на языке Вашей страны, заклейте его перед первой эксплуатацией прилагаемой наклейкой на языке Вашей страны.**



**Не направляйте луч лазера на людей или животных и сами не смотрите на прямой или отраженный луч лазера. Этот луч может слепить людей, стать причиной несчастного случая или повредить глаза.**

- ▶ **В случае попадания лазерного луча в глаз глаза нужно намеренно закрыть и немедленно отвернуться от луча.**
- ▶ **Не меняйте ничего в лазерном устройстве.**
- ▶ **Не применяйте лазерные очки в качестве защитных очков.** Лазерные очки служат для лучшего распознавания лазерного луча, однако они не защищают от лазерного излучения.
- ▶ **Не применяйте лазерные очки в качестве солнечных очков или в уличном движении.** Лазерные очки не дают полной защиты от ультрафиолетового излучения и ухудшают восприятие красок.
- ▶ **Ремонт Вашего измерительного инструмента поручайте только квалифицированному персоналу, используя только оригинальные запасные части.** Этим обеспечивается безопасность измерительного инструмента.
- ▶ **Не разрешайте детям пользоваться лазерным измерительным инструментом без надзора.** Они могут неумышленно ослепить людей.

## 38 | Русский

► **Не работайте с измерительным инструментом в взрывоопасной среде, поблизости от горючих жидкостей, газов и пыли.** В измерительном инструменте могут образоваться искры, от которых может воспламениться пыль или пары.



**Не устанавливайте измерительный инструмент и лазерный приемник 25 вблизи кардиостимуляторов.** Магнит внутри измерительного инструмента и магнитная пластина 24 лазерного приемника создают поле, которое может отрицательно влиять на работу кардиостимулятора.

► **Измерительный инструмент и лазерный приемник 25 не должны находиться вблизи магнитных носителей данных и приборов, чувствительных к магнитному полю.** Воздействие магнитов может приводить к невосполнимой потере данных.

## Описание продукта и услуг

### Применение по назначению

Измерительный инструмент предназначен для нивелирования при помощи горизонтальных и вертикальных линий, а также точки отвеса.

### Изображенные составные части

Нумерация представленных составных частей выполнена по изображению измерительного инструмента на странице с иллюстрациями.

- 1 Отверстие для выхода лазерного луча
- 2 Фиксатор крышки батарейного отсека
- 3 Крышка батарейного отсека
- 4 Серийный номер
- 5 Предупредительная табличка лазерного излучения
- 6 Крепежные пазы измерительного инструмента
- 7 Выключатель
- 8 Ватерпас поворотной платформы
- 9 Гнездо под штатив 5/8"
- 10 Винт регулировки высоты поворотной платформы
- 11 Винт точной регулировки поворотной платформы
- 12 Поворотная платформа
- 13 Крепежные пазы поворотной платформы
- 14 Индикатор работы без автоматического нивелирования
- 15 Индикатор импульсной функции
- 16 Индикатор режима работы/предупреждение о разрядке батареек
- 17 Кнопка импульсной функции
- 18 Кнопка вертикального режима
- 19 Кнопка горизонтального режима
- 20 Измерительный шаблон с опорой\*
- 21 Штатив\*
- 22 Защитный чехол
- 23 Очки для работы с лазерным инструментом\*
- 24 Магнитная пластина\*
- 25 Лазерный приемник\*

26 Телескопический шест\*

27 Держатель\*

\* **Изображенные или описанные принадлежности не входят в стандартный комплект поставки.**

### Технические данные

Линейный лазер		GLL 5-50 X
Товарный №		3 601 K63 N..
Рабочий диапазон <sup>1)</sup>		
– Лазерные линии, стандартные	М	15
– с импульсной функцией	М	10
– с лазерным приемником	М	5–50
– точка отвеса	М	5
Типичная точность нивелирования лазерных линий <sup>2)</sup>	мм/м	± 0,2
Типичный диапазон автоматического нивелирования	°	± 3
Типичное время нивелирования	с	< 4
Рабочая температура	°C	– 10 ... + 45
Температура хранения	°C	– 20 ... + 70
Относительная влажность воздуха не более	%	90
Класс лазера		2
Тип лазера	НМ МВТ	630–650 < 1
С <sub>6</sub>		1
минимальная длительность импульса	мс	1,25
Гнездо под штатив <sup>3)</sup>	"	5/8
Батарейки		4 x 1,5 В LR6 (AA)
Продолжительность эксплуатации приibl.		
– с 1 лазерной линией	ч	24
– с 2 лазерными линиями	ч	14
– с 3 лазерными линиями	ч	10
– с 5 лазерными линиями	ч	6
Вес согласно EPTA-Procedure 01:2014	кг	0,54
Размеры (длина x ширина x высота)		
– без поворотной платформы	мм	122 x 83 x 129
– с поворотной платформой	мм	∅ 151 x 203
Степень защиты (за исключением батарейного отсека)		IP 54*

1) Рабочий диапазон может уменьшаться в результате неблагоприятных окружающих условий (например, прямые солнечные лучи).

2) с завода

3) имеется только в комбинации с поворотной платформой

\* с защитой от пыли и брызг воды

Однозначная идентификация Вашего измерительного инструмента возможна по серийному номеру 4 на заводской табличке.

## Сборка

### Установка/замена батареек

В измерительном инструменте рекомендуется использовать щелочно-марганцевые батарейки.

Чтобы открыть крышку батарейного отсека **3**, нажмите на фиксатор **2** и снимите крышку батарейного отсека. Вставьте батарейки. Следите за правильной полярностью в соответствии с изображением на внутренней стороне крышки батарейного отсека.

При мигании предупреждения о разрядке батареек **16** Вам необходимо поменять батарейки.

Всегда заменяйте все батарейки одновременно. Применяйте только батарейки одного изготовителя и с одинаковой емкостью.

► **Если Вы не пользуетесь продолжительное время измерительным инструментом, то батарейки должны быть вынуты из инструмента.** При продолжительном хранении батарейки могут окислиться и разрядиться.

### Использование поворотной платформы (см. рис. А)

Установите измерительный инструмент в крепление поворотной платформы **12** так, чтобы крепежные пазы **13** поворотной платформы вошли между соответствующими пазами **6** в нижней части измерительного инструмента. Поверните измерительный инструмент по часовой стрелке, чтобы он зафиксировался на поворотной платформе.

Выкрутите ножки поворотной платформы с винтами регулировки высоты **10**. Приблизительно выровняйте поворотную платформу при помощи ватерласа **8**.

## Работа с инструментом

### Эксплуатация

- **Защищайте измерительный инструмент от влаги и прямых солнечных лучей.**
- **Не подвергайте измерительный инструмент воздействию экстремальных температур и температурных перепадов.** В частности, не оставляйте его на длительное время в машине. При больших перепадах температуры сначала дайте измерительному инструменту стабилизировать свою температуру, прежде чем начинать работать с ним. Экстремальные температуры и температурные перепады могут отрицательно влиять на точность измерительного инструмента.
- **Защищайте измерительный инструмент от сильных ударов и падений.** После сильного наружного воздействия на измерительный инструмент необходимо перед продолжением работы всегда проверять точность (см. «Точность нивелирования»).
- **При транспортировке выключайте измерительный инструмент.** При выключении блокируется маятниковый механизм, который иначе при резких движениях может быть поврежден.

### Включение/выключение

Чтобы **включить** измерительный инструмент, передвиньте выключатель **7** в положение «**On**» (для работы без автоматического нивелирования) или в положение «**On**» (для работы с автоматическим нивелированием). Индикатор режима работы **16** загорается и измерительный инструмент немедленно излучает горизонтальную лазерную линию из переднего выходного отверстия **1**.

► **Не направляйте лазерный луч на людей или животных и не смотрите сами в лазерный луч, в том числе и с большого расстояния.**

Чтобы **выключить** измерительный инструмент, передвиньте выключатель **7** в положение «**Off**». Индикатор режима работы **16** гаснет. При выключении маятниковый механизм блокируется.

При превышении предельно допустимой рабочей температуры в 45 °C происходит выключение для защиты лазерного диода. После охлаждения измерительный инструмент опять готов к работе и может быть снова включен.

### Деактивизация автоматического выключения

После 30 мин. работы измерительный инструмент автоматически выключается. Чтобы деактивировать автоматическое отключение, при включении измерительного инструмента держите или кнопку вертикального режима **18**, или кнопку горизонтального режима **19** нажатой 3 с. После деактивации автоматического отключения лазерные лучи коротко мигают через 3 с.

► **Не оставляйте без присмотра включенный измерительный инструмент и выключайте его после использования.** Другие лица могут быть ослеплены лазерным лучом.

Чтобы активировать автоматическое отключение, выключите измерительный инструмент и снова включите его (не нажимая на кнопку).

### Режимы работы (см. рис. В – D)

Горизонтальный и вертикальный режимы можно включать и выключать независимо друг от друга. Все режимы работы возможны как с автоматическим нивелированием, так и без него.

#### Горизонтальный режим

После включения измерительный инструмент находится в горизонтальном режиме и излучает спереди одну горизонтальную лазерную линию.

Чтобы выключить или включить горизонтальную лазерную линию, нажмите кнопку горизонтального режима **19**.

#### Вертикальный режим и точка отвеса

Измерительный инструмент имеет несколько вертикальных режимов работы:

- вертикальная лазерная линия спереди
- вертикальная лазерная линия спереди и с левой стороны
- вертикальная лазерная линия спереди и сзади
- вертикальные лазерные линии со всех четырех сторон

## 40 | Русский

Дополнительно во всех вертикальных режимах вниз проецируется точка отвеса.

Чтобы включить/выключить вертикальный режим или изменить вертикальный режим, нажимайте кнопку вертикального режима **18** до тех пор, пока не дойдете до нужного режима работы.

Если измерительный инструмент монтирован на поворотной платформе **12**, вертикальные лазерные линии можно точно отрегулировать при помощи винта точной регулировки **11** по реперным точкам.

### Импульсная функция

При работе с лазерным приемником **25** – независимо от выбранного режима работы – должна быть активирована импульсная функция.

С импульсной функцией лазерные лучи мигают с большой частотой и становятся видимыми для лазерного приемника **25**.

Чтобы включить импульсную функцию, нажмите кнопку **17**. При включенной импульсной функции индикатор **15** горит красным.

Видимость лазерных линий для человеческого глаза при включенной импульсной функции уменьшена. Поэтому для работ без лазерного приемника выключите импульсную функцию повторным нажатием на кнопку **17**. При выключенной импульсной функции индикатор **15** гаснет.

### Автоматическое нивелирование

#### Работа с автоматическим нивелированием

Установите измерительный инструмент на стабильное горизонтальное основание или закрепите его на поворотной платформе **12**.

Для работы с автоматическим нивелированием передвиньте выключатель **7** в положение «**On**».

Функция автоматического нивелирования выравнивает неровности в рамках диапазона автоматического нивелирования в  $\pm 3^\circ$ . Нивелирование завершено, как только лазерные линии остановились.

Если автоматическое нивелирование невозможно, напр., т.к. поверхность, на которой установлен измерительный инструмент, отличается от горизонтали более чем на  $3^\circ$ , лазерные лучи начинают быстро мигать.

Установите измерительный инструмент горизонтально и подождите окончания автоматического самонивелирования. Как только измерительный инструмент вернется в диапазон автоматического нивелирования  $\pm 3^\circ$ , лазерные линии светятся непрерывно.

При сотрясениях или изменениях положения во время работы измерительный инструмент автоматически самонивелируется. Во избежание ошибок проверяйте после каждого повторного нивелирования положение лазерных линий или отвесных лучей по отношению к реперным точкам.

### Работа без автоматического нивелирования

Для работы без автоматического нивелирования передвиньте выключатель **7** в положение «**Off**». При выключенном автоматическом нивелировании индикатор **14** горит красным и лазерные линии непрерывно мигают в медленном темпе.

При отключенной функции автоматического нивелирования Вы можете держать измерительный инструмент свободно в руке или поставить его на пригодное основание. При этом лазерные линии не обязательно образуют перпендикуляр.

### Точность нивелирования

#### Факторы, влияющие на точность

Наибольшее влияние на точность оказывает окружающая температура. В особенности изменения температуры по мере удаления от грунта могут вызывать отклонения лазерного луча.

Поскольку самые большие температурные перепады наблюдаются рядом с поверхностью почвы, измерительный инструмент необходимо по возможности устанавливать на штатив **21** и по центру проверяемой рабочей поверхности. Наряду с внешними воздействиями также и специфические для инструмента воздействия (как напр., падения или сильные удары) могут приводить к отклонениям. Поэтому всегда перед началом работы проверяйте точность нивелирования.

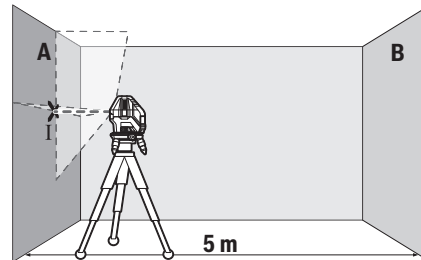
Проверяйте сначала точность по высоте и точность нивелирования горизонтальной лазерной линии, а затем точность нивелирования вертикальных лазерных линий.

Если во время одной из проверок измерительный инструмент превысит максимально допустимое отклонение, отдайте его в ремонт в сервисную мастерскую Bosch.

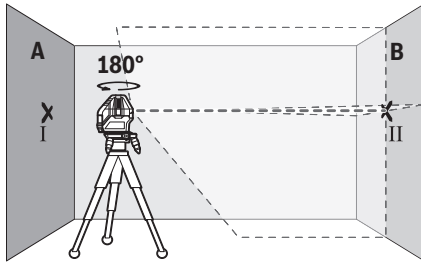
#### Контроль точности высоты горизонтальной линии

Для контроля Вам необходим свободный отрезок в 5 м на прочном грунте между стенами А и В.

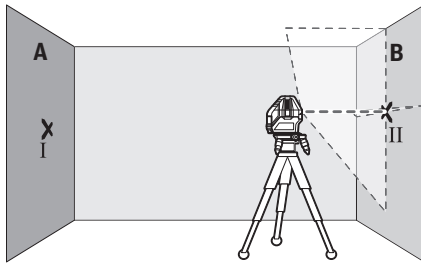
- Монтируйте измерительный инструмент вблизи стены А на поворотной платформе или штативе или установите его на прочное, ровное основание. Включите измерительный инструмент для работы с автоматическим нивелированием. Включите горизонтальный режим и любой вертикальный режим.



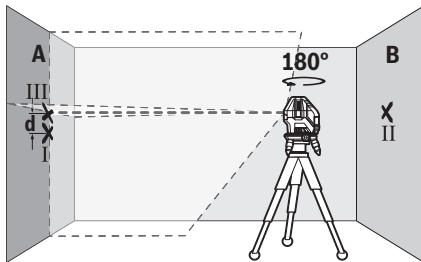
- Направьте лазер на ближнюю стену А и обождите самонивелирование инструмента. Отметьте середину точки, в которой перекрещиваются на стене лазерные линии (точка I).



- Поверните измерительный инструмент на  $180^\circ$ , подождите, пока он не произведет самонивелирование, и отметьте точку пересечения лазерных линий на противоположной стене В (точка II).
- Установите измерительный инструмент – не поворачивая его – вблизи стены В, включите его и дайте ему время нивелироваться.



- Настройте измерительный инструмент по высоте (с помощью штатива или подкладок) так, чтобы точка пересечения лазерных линий точно совпала с ранее отмеченной точкой II на стене В.



- Поверните измерительный инструмент на  $180^\circ$ , не изменяя высоты. Направьте инструмент на стену А так, чтобы вертикальная лазерная линия проходила через уже отмеченную точку I. Подождите, пока инструмент не закончит самонивелирование, и отметьте точку пересечения лазерных линий на стене А (точка III).
- Разница  $d$  между обеими отмеченными точками I и III на стене А является действительным отклонением по высоте измерительного инструмента.

Максимально допустимое отклонение  $d_{\max}$  рассчитывается следующим образом:

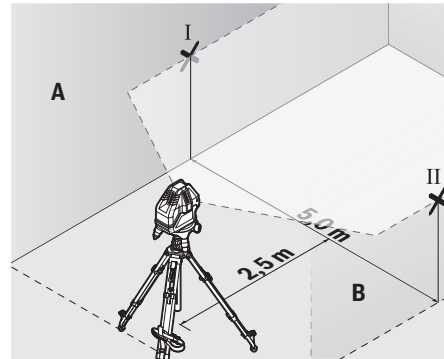
$$d_{\max} = \text{двойное расстояние между стенами} \times 0,2 \text{ мм/м}$$

Пример: при расстоянии между стенами 5 м максимальное отклонение составляет  $d_{\max} = 2 \times 5 \text{ м} \times 0,2 \text{ мм/м} = 2 \text{ мм}$ . Соответственно, отметки должны быть расположены не более чем в 2 мм друг от друга.

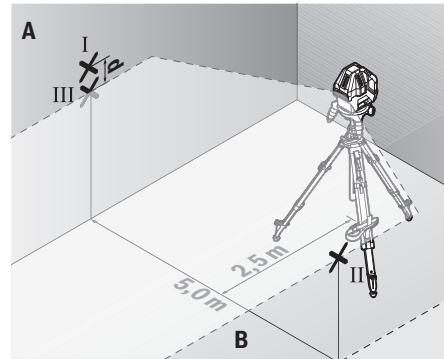
#### Проверка точности нивелирования горизонтальной линии

Для выполнения проверки требуется свободный участок площадью 5 x 5 м.

- Монтируйте измерительный инструмент посередине между стенами А и В на поворотной платформе или штативе или установите его на прочное, ровное основание. Включите измерительный инструмент для работы с автоматическим нивелированием. Включите горизонтальный режим и дайте измерительному инструменту нивелироваться.



- Отметьте на расстоянии в 2,5 м от измерительного инструмента на обеих стенах середину лазерной линии (точка I на стене А и точка II на стене В).



- Развернув измерительный инструмент на  $180^\circ$ , передвиньте его на 5 м и подождите, пока он не произведет самонивелирование.
- Настройте измерительный инструмент по высоте (с помощью штатива или подкладок) так, чтобы середина лазерной линии точно совпала с ранее отмеченной точкой II на стене В.
- Отметьте на стене А середину лазерной линии как точку III (вертикально над или под точкой I).

## 42 | Русский

- Разница **d** между обеими отмеченными точками I и III на стене А является действительным отклонением по высоте измерительного инструмента.

Максимально допустимое отклонение  $d_{\max}$  рассчитывается следующим образом:

$d_{\max}$  = двойное расстояние между стенами  $\times 0,2$  мм/м

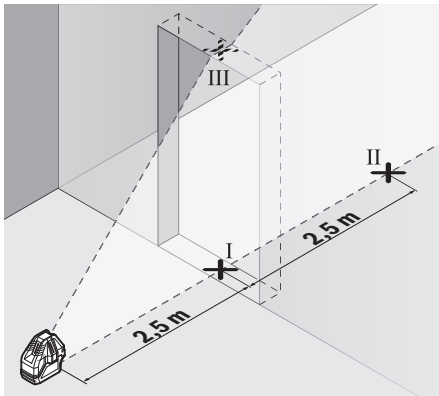
Пример: при расстоянии между стенами 5 м максимальное отклонение составляет

$d_{\max} = 2 \times 5 \text{ м} \times 0,2 \text{ мм/м} = 2 \text{ мм}$ . Соответственно, отметки должны быть расположены не более чем в 2 мм друг от друга.

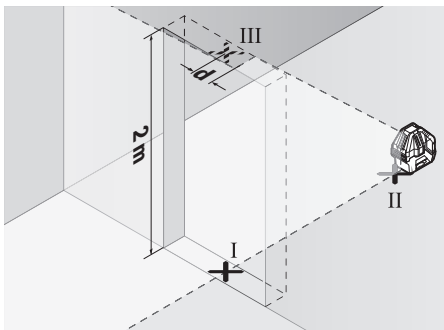
### Проверка точности нивелирования вертикальных линий

Для проверки Вам требуется проем двери, в обе стороны от которого (на прочном полу) есть свободное пространство длиной не менее 2,5 м.

- Установите измерительный инструмент на расстоянии 2,5 м от дверного проема на прочное, ровное основание (не на поворотную платформу или штатив). Включите измерительный инструмент для работы с автоматическим нивелированием. Включите вертикальный режим со всеми вертикальными лазерными линиями и направьте переднюю вертикальную лазерную линию на дверной проем. Дайте измерительному инструменту нивелироваться.



- Отметьте середину вертикальной линии на полу в проеме двери (точка I), на расстоянии в 5 м с другой стороны проема двери (точка II), а также по верхнему краю проема двери (точка III).



- Переставьте измерительный инструмент на другую сторону дверного проема прямо за точкой II. Подождите, пока измерительный инструмент не произведет самонивелирование, и направьте вертикальную лазерную линию так, чтобы ее середина проходила точно через точки I и II.
- Разница **d** между точкой III и серединой лазерной линии на верхнем крае проема двери является действительным отклонением измерительного инструмента от вертикали.
- Измерьте высоту проема двери.

Максимально допустимое отклонение  $d_{\max}$  рассчитывается следующим образом:

$d_{\max}$  = двойная высота дверного проема  $\times 0,2$  мм/м

Пример: при высоте дверного проема 2 м максимальное отклонение составляет

$d_{\max} = 2 \times 2 \text{ м} \times 0,2 \text{ мм/м} = 0,8 \text{ мм}$ . Соответственно, отметки должны быть расположены не более чем в 0,8 мм друг от друга.

### Указания по применению

- ▶ **Для нанесения отметки всегда используйте середину лазерной точки/лазерной линии.** Размер лазерной точки/ширина лазерной линии меняется в зависимости от расстояния.

### Очки для работы с лазерным инструментом (принадлежности)

Лазерные очки отфильтровывают окружающий свет. Благодаря этому красный свет лазера становится более ярким для человеческого глаза.

- ▶ **Не применяйте лазерные очки в качестве защитных очков.** Лазерные очки служат для лучшего распознавания лазерного луча, однако они не защищают от лазерного излучения.
- ▶ **Не применяйте лазерные очки в качестве солнечных очков или в уличном движении.** Лазерные очки не дают полной защиты от ультрафиолетового излучения и ухудшают восприятие красок.

### Работа с лазерным приемником (принадлежности)

При неблагоприятной освещенности (светлое окружение, прямые солнечные лучи) и на большом расстоянии используйте для лучшего нахождения лазерных лучей лазерный приемник **25**. При работе с лазерным приемником включайте импульсную функцию (см. «Импульсная функция», стр. 40).

### Работа со штативом (принадлежности) (см. рис. E)

Штатив обеспечивает стабильную, регулируемую по высоте опору для измерений. Монтируйте измерительный инструмент на поворотную платформу **12**. Поставьте поворотную платформу гнездом под штатив **5/8" 9** на резьбу штатива **21** или обычного строительного штатива. Зафиксируйте поворотную платформу с помощью крепежного винта штатива.



### Работа с измерительным шаблоном (принадлежности) (см. рис. F – G)

С помощью измерительного шаблона **20** Вы можете перенести лазерную отметку на пол или высоту лазера на стену. С помощью нуля и шкалы можно измерить расстояние до желаемой высоты и перенести его на другое место. Благодаря этому не нужно настраивать измерительный инструмент на переносимую высоту.

Для улучшения видимости лазерного луча на большом расстоянии и при сильном солнце измерительный шаблон **20** имеет отражающее покрытие. Однако усиление яркости заметно только, если смотреть на измерительный шаблон параллельно лазерному лучу.

### Примеры возможных видов работы (см. рис. B – E)

Примеры возможных применений измерительного инструмента приведены на страницах с рисунками.

## Техобслуживание и сервис

### Техобслуживание и очистка

Храните и переносите измерительный инструмент только в прилагающемся защитном чехле.

Содержите измерительный инструмент постоянно в чистоте.

Никогда не погружайте измерительный инструмент в воду или другие жидкости.

Вытирайте загрязнения сухой и мягкой тряпкой. Не используйте никаких очищающих средств или растворителей.

Очищайте регулярно особенно поверхности у выходного отверстия лазера и следите при этом за ворсинками.

На ремонт отправляйте измерительный инструмент в защитном чехле **22**.

### Сервис и консультирование на предмет использования продукции

Сервисная мастерская ответит на все Ваши вопросы по ремонту и обслуживанию Вашего продукта и по запчастям. Монтажные чертежи и информацию по запчастям Вы найдете также по адресу:

**www.bosch-pt.com**

Коллектив сотрудников Bosch, предоставляющий консультации на предмет использования продукции, с удовольствием ответит на все Ваши вопросы относительно нашей продукции и ее принадлежностей.

Пожалуйста, во всех запросах и заказах запчастей обязательно указывайте 10-значный товарный номер по заводской табличке изделия.

### Для региона: Россия, Беларусь, Казахстан, Украина

Гарантийное обслуживание и ремонт электроинструмента, с соблюдением требований и норм изготовителя производятся на территории всех стран только в фирменных или авторизованных сервисных центрах «Роберт Бош». **ПРЕДУПРЕЖДЕНИЕ!** Использование контрафактной продукции опасно в эксплуатации, может привести к ущербу для Вашего здоровья. Изготовление и распространение контрафактной продукции преследуется по Закону в административном и уголовном порядке.

### Россия

Уполномоченная изготовителем организация:

ООО «Роберт Бош»

Вашутинское шоссе, вл. 24

141400, г.Химки, Московская обл.

Россия

Тел.: 8 800 100 8007 (звонок по России бесплатный)

E-Mail: info.powertools@ru.bosch.com

Полную и актуальную информацию о расположении сервисных центров и приёмных пунктов Вы можете получить:

– на официальном сайте [www.bosch-pt.ru](http://www.bosch-pt.ru)

– либо по телефону справочно – сервисной службы

Bosch 8 800 100 8007 (звонок по России бесплатный)

### Беларусь

ИП «Роберт Бош» ООО

Сервисный центр по обслуживанию электроинструмента

ул. Тимирязева, 65А-020

220035, г. Минск

Беларусь

Тел.: +375 (17) 254 78 71

Тел.: +375 (17) 254 79 15/16

Факс: +375 (17) 254 78 75

E-Mail: pt-service.by@bosch.com

Официальный сайт: [www.bosch-pt.by](http://www.bosch-pt.by)

### Казахстан

ТОО «Роберт Бош»

Сервисный центр по обслуживанию электроинструмента

г. Алматы

Казахстан

050050

пр. Райымбека 169/1

уг. ул. Коммунальная

Тел.: +7 (727) 232 37 07

Факс: +7 (727) 233 07 87

E-Mail: info.powertools.ka@bosch.com

Официальный сайт: [www.bosch.kz](http://www.bosch.kz); [www.bosch-pt.kz](http://www.bosch-pt.kz)

### Утилизация

Отслужившие свой срок измерительные инструменты, принадлежности и упаковку следует сдавать на экологически чистую рекуперацию отходов.

Не выбрасывайте измерительные инструменты и аккумуляторные батареи/батарейки в бытовой мусор!

### Только для стран-членов ЕС:



В соответствии с европейской директивой 2012/19/EU отслужившие измерительные инструменты и в соответствии с европейской директивой 2006/66/EC поврежденные либо отработанные аккумуляторы/батарейки нужно собирать отдельно и сдавать на экологически чистую рекуперацию.

### Возможны изменения.



## Українська

### Вказівки з техніки безпеки



Прочитайте всі вказівки і дотримуйтеся їх, щоб працювати з вимірювальним інструментом безпечно та надійно. Використання вимірювального інструмента без дотримання цих інструкцій може призвести до пошкодження інтегрованих захисних механізмів. Ніколи не доводьте попереджувальні таблички на вимірювальному інструменті до невпізнанності. **ДОБРЕ ЗБЕРІГАЙТЕ ЦІ ВКАЗІВКИ І ПЕРЕДАВАЙТЕ ЇХ РАЗОМ З ВИМІРЮВАЛЬНИМ ІНСТРУМЕНТОМ.**

- ▶ **Обережно** – використання засобів обслуговування і настроювання, що відрізняються від зазначених в цій інструкції, або використання дозволених засобів у недозволеній спосіб, може призводити до небезпечених вибухів випромінювання.
- ▶ **Вимірювальний інструмент постачається з попереджувальною табличкою** (на зображенні вимірювального інструменту на сторінці з малюнком вона позначена номером 5).



- ▶ Якщо текст попереджувальної таблички не на мові Вашої країни, заклейте його перед першою експлуатацією доданою наклейкою на мові Вашої країни.



**Не направляйте лазерний промінь на людей або тварин, і самі не дивіться на прямий або відображений лазерний промінь.** Він може засліпити інших людей, спричинити нещасні випадки або пошкодити очі.

- ▶ У разі потрапляння лазерного променя в око, **навмисне заплющьте очі і відразу відверніться від променя.**
- ▶ Нічого не міняйте в лазерному пристрої.
- ▶ **Не використовуйте окуляри для роботи з лазером в якості захисних окулярів.** Окуляри для роботи з лазером призначені для кращого розпізнавання лазерного променя, але вони не захищають від лазерного проміння.
- ▶ **Не використовуйте окуляри для роботи з лазером для захисту від сонця і за кермом.** Окуляри для роботи з лазером не захищають повністю від УФ-проміння і погіршують розпізнавання кольорів.
- ▶ **Віддавайте свій вимірювальний прилад на ремонт лише кваліфікованим фахівцем та лише з використанням оригінальних запчастин.** Тільки за таких умов Ваш вимірювальний прилад і надалі буде залишатися безпечним.
- ▶ **Не дозволяйте дітям користуватися без нагляду лазерним вимірювальним приладом.** Вони можуть ненавмисне засліпити інших людей.

- ▶ **Не працюйте з вимірювальним приладом у середовищі, де існує небезпека вибуху внаслідок присутності горючих рідин, газів або пилу.** У вимірювальному приладі можуть утворюватися іскри, від яких може займатися пил або пари.



**Не встановлюйте вимірювальний прилад і лазерний приймач 25 поблизу від кардіостимуляторів.** Магніти всередині вимірювального інструмента і магнітна пластина 24 лазерного приймача створюють поле, яке може негативно вплинути на роботу кардіостимулятора.

- ▶ **Вимірювальний інструмент і лазерний приймач 25 не повинні знаходитися поблизу магнітних носіїв даних і приладів, чутливих до магнітного поля.** Вплив магнітів може призвести до необоротної втрати даних.

### Опис продукту і послуг

#### Призначення

Вимірювальний інструмент призначений для нівелювання за допомогою горизонтальних ліній, вертикальних ліній, а також точки виска.

#### Зображені компоненти

Нумерація зображених компонентів посилається на зображення вимірювального приладу на сторінці з малюнком.

- 1 Вихідний отвір для лазерного променя
- 2 Фіксатор секції для батарейок
- 3 Кришка секції для батарейок
- 4 Серійний номер
- 5 Попереджувальна табличка для роботи з лазером
- 6 Кріпильні пази вимірювального інструмента
- 7 Вимикач
- 8 Ватерпас поворотної платформи
- 9 Гніздо під штатив 5/8"
- 10 Гвинт регулювання висоти поворотної платформи
- 11 Гвинт точної настройки поворотної платформи
- 12 Поворотна платформа
- 13 Кріпильні пази поворотної платформи
- 14 Індикатор роботи не в режимі автоматичного нівелювання
- 15 Індикатор імпульсної функції
- 16 Індикатор режиму роботи/індикатор зарядженості батарейок
- 17 Кнопка імпульсної функції
- 18 Кнопка вертикального режиму
- 19 Кнопка горизонтального режиму
- 20 Вимірювальний шаблон з ніжкою\*
- 21 Штатив\*
- 22 Захисна сумка
- 23 Окуляри для роботи з лазером\*
- 24 Магнітна пластина\*

- 25** Лазерний приймач\*  
**26** Телескопічна палиця\*  
**27** Кріплення\*

\* **Зображене чи описане приладдя не належить до стандартного обсягу поставки.**

### Технічні дані

Лінійний лазер		GLL 5-50 X
Товарний номер		3 601 K63 N..
Робочий діапазон <sup>1)</sup>		
– Лазерні лінії, стандартні	м	15
– з імпульсною функцією	м	10
– з лазерним приймачем	м	5–50
– точка виска	м	5
Точність нівелювання лазерних ліній, типowo <sup>2)</sup>	мм/м	± 0,2
Діапазон автоматичного нівелювання, типовий	°	± 3
Тривалість нівелювання, типова	с	< 4
Робоча температура	°C	– 10 ... + 45
Температура зберігання	°C	– 20 ... + 70
Відносна вологість повітря макс.	%	90
Клас лазера		2
Тип лазера	нм мВт	630–650 < 1
C <sub>6</sub>		1
найкоротша тривалість імпульсу	мс	1,25
Гніздо під штатив <sup>3)</sup>	"	5/8
Батареї		4 x 1,5 В LR6 (AA)
Тривалість експлуатації при бл.		
– з 1 лазерною лінією	год.	24
– з 2 лазерними лініями	год.	14
– з 3 лазерними лініями	год.	10
– з 5 лазерними лініями	год.	6
Вага відповідно до EPTA-Procedure 01:2014	кг	0,54
Розміри (довжина x ширина x висота)		
– без поворотної платформи	мм	122 x 83 x 129
– з поворотною платформою	мм	Ø 151 x 203
Ступінь захисту (крім секції для батарейок)		IP 54*

1) Робочий діапазон може зменшуватися внаслідок несприятливих умов (напр., прямі сонячні промені).

2) з заводу

3) у наявності лише разом з поворотною платформою

\* із захистом від пилу і бризок води

Для точної ідентифікації вимірювального приладу на заводській таблиці позначений серійний номер **4**.

## Монтаж

### Вставлення/заміна батарейок

Для вимірювального приладу рекомендується використовувати виключно лужно-марганцеві батареї. Щоб відкрити секцію для батарейок **3**, натисніть на фіксатор **2** і зніміть кришку секції для батарейок. Встроміть батарейки. Слідкуйте при цьому за правильним розташуванням полюсів, як це показано всередині секції для батарейок.

Якщо індикатор зарядженості батарейок **16** мигає, потрібно замінити батарейки.

Завжди міняйте одночасно всі батарейки. Використовуйте лише батарейки одного виробника і однакової ємності.

► **Виймайте батарейки, якщо Ви тривалий час не будете користуватися вимірювальним приладом.**

При тривалому зберіганні батарейки можуть кородувати і саморозряджатися.

### Використання поворотної платформи (див. мал. А)

Встановіть вимірювальний інструмент на кріплення для інструментів поворотної платформи **12** так, щоб кріпильні пази **13** поворотної платформи увійшли між відповідними пазами **6** в нижній частині вимірювального інструмента. Поверніть вимірювальний інструмент за стрілкою годинника, щоб він зафіксувався на поворотній платформі.

Відкрутіть ніжки поворотної платформи з гвинтами регулювання висоти **10**. Приблизно вирівняйте поворотну платформу за допомогою ватерпаса **8**.

## Експлуатація

### Початок роботи

- **Захищайте вимірювальний прилад від вологі і сонячних променів.**
- **Не допускайте впливу на вимірювальний прилад екстремальних температур та температурних перепадів.** Зокрема, не залишайте його на тривалий час в машині. Якщо вимірювальний прилад зазнав впливу перепаду температур, перш ніж вмикати його, дайте йому стабілізувати свою температуру. Екстремальні температури та температурні перепади можуть погіршувати точність вимірювального приладу.
- **Уникайте сильних поштовхів та падіння вимірювального приладу.** Після сильних зовнішніх дій на вимірювальний прилад перед подальшою роботою з приладом обов'язково перевірте точність роботи приладу (див. «Точність нівелювання»).
- **Під час транспортування вимірювального приладу вимикайте його.** При вимкненні приладу маятниковий вузол блокується, щоб запобігти пошкодженню внаслідок сильних поштовхів.

## 46 | Українська

**Вмикання/вимкнення**

Щоб **увімкнути** вимірювальний інструмент, посуňte вмикач **7** в положення «**On**» (для роботи без автоматичного нівелювання) або в позицію «**Op**» (для роботи з автоматичним нівелюванням). Індикатор режиму роботи **16** загоряється і вимірювальний інструмент негайно випромінює горизонтальний лазерний промінь з переднього вихідного отвору **1**.

► **Не спрямовуйте лазерний промінь на людей і тварин і не дивіться у лазерний промінь, включаючи і з великої відстані.**

Щоб вимкнути **вимкнути** вимірювальний інструмент, посуňte вмикач **7** в положення «**Off**». Індикатор режиму роботи **16** згасає. При вимкненні приладу маятниковий вузол блокується.

При перевищенні максимально дозваної робочої температури 45 °C лазерний промінь для захисту лазерного діода автоматично вимикається. Після того, як вимірювальний прилад охолоне, він знову готовий до експлуатації та його можна знову вмикати.

**Деактивація функції автоматичного вимкнення**

Прибл. через 30 хвил. експлуатації вимірювальний інструмент автоматично вимикається. Щоб деактивувати автоматичне вимкнення, під час увімкнення вимірювального інструмента тримайте або кнопку вертикального режиму **18**, або кнопку горизонтального режиму **19** натисненою протягом 3 с. Якщо автоматичне вимкнення деактивоване, лазерні лінії блимають через 3 с.

► **Не залишайте увімкнутий вимірювальний прилад без догляду, після закінчення роботи вимикайте вимірювальний прилад.** Інші особи можуть бути засліплені лазерним променем.

Щоб активувати автоматичне вимкнення, вимкніть вимірювальний інструмент і знову увімкніть його (не натискаючи кнопки).

**Режими роботи (див. мал. В–D)**

Горизонтальний і вертикальний режими можна вмикати і вимикати незалежно один від одного. Усі режими роботи можливі як з автоматичним нівелюванням, так і без нього.

**Горизонтальний режим**

Після увімкнення вимірювальний інструмент знаходиться в горизонтальному режимі і випромінює спереду горизонтальну лазерну лінію.

Щоб вимкнути або увімкнути лазерну лінію, натисніть кнопку горизонтального режиму **19**.

**Вертикальний режим і точка виска**

Вимірювальний інструмент має декілька вертикальних режимів роботи:

- вертикальна лазерна лінія попереду
- вертикальна лазерна лінія попереду і зліва
- вертикальна лазерна лінія попереду і позаду
- вертикальні лазерні лінії з усіх чотирьох боків

Додатково в усіх вертикальних режимах роботи вниз проєціюється точка виска.

Щоб увімкнути/вимкнути або змінити вертикальний режим натискайте на кнопку вертикального режиму **18** до тих пір, поки не дійдете до бажаного режиму роботи.

Якщо вимірювальний інструмент монтований на поворотній платформі **12**, вертикальні лазерні лінії можна точно відрегулювати за допомогою гвинта точної настройки **11** по реперних точках.

**Імпульсна функція**

Для роботи з лазерним приймачем **25** – незалежно від обраного режиму роботи – має бути активована імпульсна функція.

З імпульсною функцією лазерні промені мигають з дуже великою частотою і їх «бачить» лазерний приймач **25**.

Щоб увімкнути імпульсну функцію, натисніть кнопку **17**. У разі увімкненої імпульсної функції індикатор **15** світиться червоним.

Для людського ока видимість лазерних променів з увімкнутою імпульсною функцією зменшена. З цієї причини для роботи без лазерного приймача вимкніть імпульсну функцію повторним натисканням на кнопку **17**. При вимкнутій імпульсній функції індикатор **15** гасне.

**Автоматичне нівелювання****Робота у режимі автоматичного нівелювання**

Встановіть вимірювальний інструмент на тверду горизонтальну поверхню або закріпіть його на поворотній платформі **12**.

Для роботи з автоматичним нівелюванням пересуньте вмикач **7** в положення «**Op**».

Автоматичне нівелювання автоматично згладжує нерівності в діапазоні автоматичного нівелювання  $\pm 3^\circ$ . Нівелювання закінчене, якщо лазерні лінії більше не рухаються.

Якщо автоматичне нівелювання неможливе, напр., якщо поверхня, на якій встановлений вимірювальний прилад, відрізняється від горизонталі більше ніж на  $3^\circ$ , лазерні лінії починають блимати у швидкому темпі.

Встановіть вимірювальний інструмент в горизонтальне положення і зачекайте, поки не закінчиться автоматичне самонівелювання. Як тільки вимірювальний інструмент повернеться в діапазон автоматичного нівелювання  $\pm 3^\circ$ , лазерні лінії світяться безперервно.

При струсах та змінах положення протягом експлуатації вимірювальний інструмент знову автоматично нівелюється. Після повторного нівелювання, щоб запобігти помилкам, перевірте положення лазерних ліній відносно базових точок.

**Робота без автоматичного нівелювання**

Для роботи без автоматичного нівелювання пересуньте вмикач **7** в положення «**On**». У разі вимкненого автоматичного нівелювання індикатор **14** світиться червоним і лазерні лінії постійно блимають у повільному темпі.

При вимкнутому автоматичному нівелюванні вимірювальний прилад можна тримати вільно в руці або поставити на похилу поверхню. Лазерні лінії не обов'язково знаходяться перпендикулярно одна до одної.

## Точність нівелювання

### Фактори, що впливають на точність

Найбільший вплив справляє температура зовнішнього середовища. Особливо температурні коливання, що спостерігаються в міру віддалення від ґрунту, можуть спричинити відхилення лазерного променя.

Оскільки температурні коливання є найбільшими поблизу ґрунту, по можливості монтуйте вимірювальний інструмент на штативі **21** і встановіть його посередині робочої ділянки.

Поряд із зовнішніми умовами також і специфічні для інструменту умови (напр., струси або сильні удари) можуть призводити до відхилень. З цієї причини кожного разу перед початком роботи перевіряйте точність нівелювання.

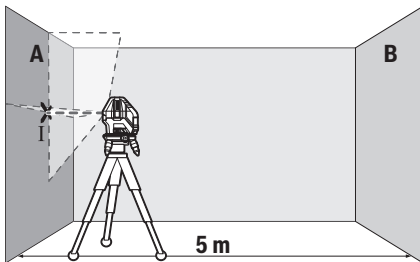
Перевіряйте спочатку точність висоти і точність нівелювання горизонтальної лазерної лінії, а потім точність нівелювання вертикальних лазерних ліній.

Якщо при одній з перевірок вимірювальний прилад перевищить максимально допустиме відхилення, його треба віднести в майстерню Bosch для перевірки.

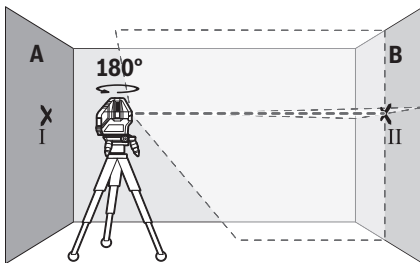
### Перевірка точності горизонтальної лінії по висоті

Для перевірки Вам на твердому ґрунті потрібна вільна вимірювальна ділянка довжиною 5 м між двома стінами А і В.

- Встановіть вимірювальний інструмент коло стіни А на поворотній платформі чи на штативі або поставте його на тверду, рівну поверхню. Увімкніть вимірювальний інструмент для роботи з автоматичним нівелюванням. Увімкніть горизонтальний режим і будь-який вертикальний режим.

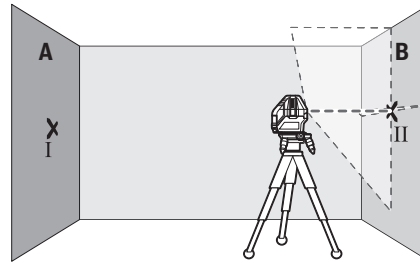


- Спрямуйте лазер на ближчу стіну А та дайте йому нівелюватися. Позначте середину точки, в якій лазерні лінії перетинаються на стіні (точка I).

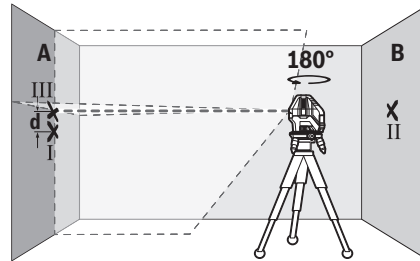


- Поверніть вимірювальний прилад на 180°, дайте йому нівелюватися і позначте точку, в якій лазерні лінії перетинаються на протилежній стіні В (точка II).

- Розташуйте вимірювальний прилад, не повертаючи його, коло стіни В, увімкніть його та дайте йому нівелюватися.



- Вирівняйте вимірювальний прилад по висоті таким чином (за допомогою штатива або підмостивши щонебудь під нього), щоб точка, в якій перехрещуються лазерні лінії, точно попадала на позначену раніше точку II на стіні В.



- Поверніть вимірювальний прилад на 180°, не змінюючи його висоти. Спрямуйте його на стіну А таким чином, щоб вертикальна лазерна лінія проходила через раніше позначену точку I. Дайте вимірювальному приладу нівелюватися і позначте точку на стіні А, в якій перехрещуються лазерні лінії (точка III).
- Відстань **d** між двома позначеними на стіні А точками I і III – це фактичне відхилення вимірювального приладу по висоті.

Максимально допустиме відхилення  $d_{\max}$  розраховується таким чином:

$d_{\max} = \text{подвійна відстань між стінами} \times 0,2 \text{ мм/м}$

Приклад: При відстані між стінами 5 м максимальне відхилення може становити

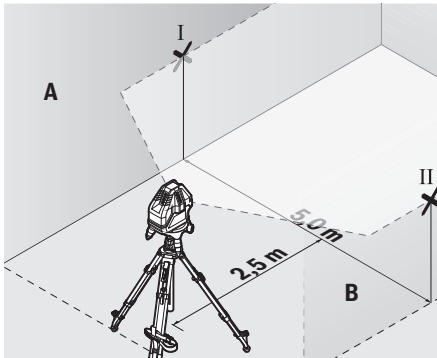
$d_{\max} = 2 \times 5 \text{ м} \times 0,2 \text{ мм/м} = 2 \text{ мм}$ . Таким чином, максимальна відстань між позначками не може перебільшувати 2 мм.

### Перевірка точності нівелювання горизонтальної лінії

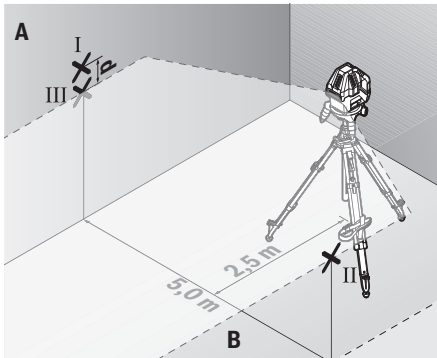
Для перевірки Вам потрібна вільна ділянка прибл. 5 x 5 м.

- Встановіть вимірювальний інструмент між стінами А і В на поворотній платформі чи на штативі або поставте його на тверду, рівну поверхню. Увімкніть вимірювальний інструмент для роботи з автоматичним нівелюванням. Увімкніть горизонтальний режим і зачекайте, поки не закінчиться самонівелювання.

48 | Українська



- Позначте на обох стінах на відстані 2,5 м від вимірювального приладу середину лазерної лінії (точка I на стіні A і точка II на стіні B).



- Переставте вимірювальний прилад розвернутим на 180° на 5 м і дайте йому нівелюватися.
- Вирівняйте вимірювальний прилад по висоті таким чином (за допомогою штатива або підмостивши щонебудь під нього), щоб середина лазерної лінії точно попадала на позначену раніше точку II на стіні B.
- Позначте на стіні A середину лазерної лінії як точку III (вертикально над точкою I або під нею).
- Відстань  $d$  між двома позначеними на стіні A точками I і III – це фактичне відхилення вимірювального приладу від горизонталі.

Максимально допустиме відхилення  $d_{\max}$  розраховується таким чином:

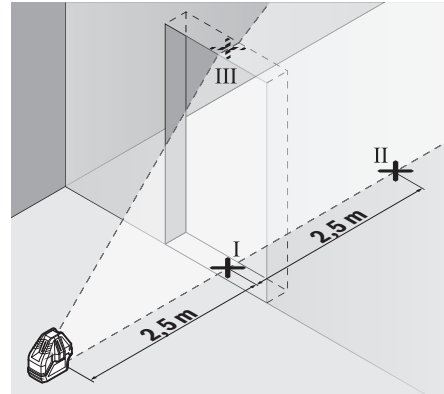
$d_{\max} = \text{подвійна відстань між стінами} \times 0,2 \text{ мм/м}$   
 Приклад: При відстані між стінами 5 м максимальне відхилення може становити  
 $d_{\max} = 2 \times 5 \text{ м} \times 0,2 \text{ мм/м} = 2 \text{ мм}$ . Таким чином, максимальна відстань між позначками не може перебільшувати 2 мм.

**Перевірка точності нівелювання вертикальних ліній**

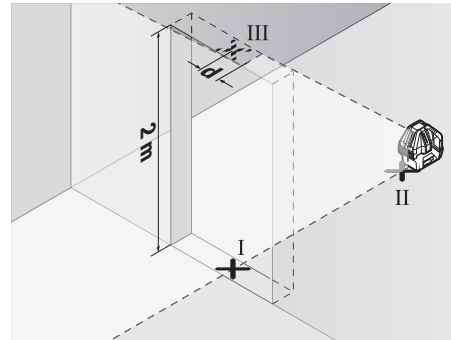
Для перевірки Вам потрібний дверний проріз, в якому з обох боків від дверей є мін. 2,5 м (на твердому ґрунті).

- Встановіть вимірювальний інструмент на відстані 2,5 м від дверного прорізу на тверду, рівну поверхню (не на поворотну платформу або штатив). Увімкніть

вимірювальний інструмент для роботи з автоматичним нівелюванням. Увімкніть вертикальний режим з усіма вертикальними лазерними лініями і спрямуйте передню вертикальну лазерну лінію на дверний проріз. Дайте вимірювальному інструменту нівелюватися.



- Позначте середину вертикальної лазерної лінії на підлозі у дверному прорізі (точка I), на відстані 5 м з іншого боку дверного прорізу (точка II), а також з верхнього краю дверного прорізу (точка III).



- Встановіть вимірювальний прилад з іншого боку дверного прорізу безпосередньо за точкою II. Дайте вимірювальному приладу нівелюватися і спрямуйте вертикальну лазерну лінію таким чином, щоб її середина проходила точно через точку I і II.
- Відстань  $d$  між точкою III і серединою лазерної лінії з верхнього краю дверного прорізу – це фактичне відхилення вимірювального приладу від вертикалі.
- Поміряйте висоту дверного прорізу.

Максимально допустиме відхилення  $d_{\max}$  розраховується таким чином:

$d_{\max} = \text{подвійна висота дверного прорізу} \times 0,2 \text{ мм/м}$   
 Приклад: При висоті дверного прорізу 2 м максимальне відхилення може становити  
 $d_{\max} = 2 \times 2 \text{ м} \times 0,2 \text{ мм/м} = 0,8 \text{ мм}$ . Таким чином, максимальна відстань між позначками не може перебільшувати 0,8 мм.

## Вказівки щодо роботи

- **Для позначення завжди використовуйте середину лазерної точки/лазерної лінії.** Розмір лазерної точки/лазерної лінії змінюється в залежності від відстані.

### Окуляри для роботи з лазером (приладдя)

Окуляри для роботи з лазером відфільтровують світло зовнішнього середовища. Завдяки цьому червоне світло лазера здається для очей світлішим.

- **Не використовуйте окуляри для роботи з лазером в якості захисних окулярів.** Окуляри для роботи з лазером призначені для кращого розпізнавання лазерного променя, але вони не захищають від лазерного проміння.
- **Не використовуйте окуляри для роботи з лазером для захисту від сонця і за кермом.** Окуляри для роботи з лазером не захищають повністю від УФ-проміння і погіршують розпізнавання кольорів.

### Робота з лазерним приймачем (приладдя)

За несприятливих умов (світле середовище, пряме сонячне світло) та на великих відстанях, щоб легше було знайти лазерні лінії, користуйтеся лазерним приймачем **25**. При роботах з лазерним приймачем увімкніть імпульсну функцію (див. «Імпульсна функція», стор. 46).

### Робота зі штативом (приладдя) (див. мал. Е)

Штатив забезпечує стабільну підставку для вимірювання, висоту якої можна регулювати. Встановіть вимірювальний інструмент на поворотну платформу **12**. Поставте поворотну платформу гніздом під штатив **5/8" 9** на різьбу штатива **21** або звичайного будівельного штатива. Зафіксуйте поворотну платформу кріпильним гвинтом штатива.

### Роботи з вимірювальним шаблоном (приладдя) (див. мал. F – G)

За допомогою вимірювального шаблона **20** Ви можете переносити лазерну позначку на підлогу або висоту лазера на стіну.

Користуючись нулем і шкалою, Ви можете вимірювати відстань до бажаної висоти і переносити її в інше місце. Завдяки цьому не треба точно настроювати вимірювальний прилад на висоту, що переноситься. Вимірювальний шаблон **20** має дзеркальне покриття, що покращує видимість лазерного променя на великій відстані і при сильному сонці. Більша яскравість помітна лише тоді, коли Ви дивитесь на вимірювальний шаблон паралельно до лазерного променя.

### Приклади роботи (див. мал. В – Е)

Приклади для таких можливостей застосування вимірювального приладу Ви знайдете на сторінках з малюнками.

## Технічне обслуговування і сервіс

### Технічне обслуговування і очищення

Зберігайте і переносьте вимірювальний прилад лише в захисній сумці, яка іде в комплекті.

Завжди тримайте вимірювальний прилад в чистоті.

Не занурюйте вимірювальний прилад у воду або інші рідини.

Витирайте забруднення вологою м'якою ганчіркою. Не користуйтеся мийними засобами і розчинниками.

Зокрема, регулярно очищайте поверхні коло вихідного отвору лазера і слідуйте при цьому за тим, щоб не залишалось ворсинок.

Надсилайте вимірювальний прилад на ремонт в захисній сумці **22**.

### Сервіс та надання консультацій щодо використання продукції

Сервісна майстерня відповідь на запитання стосовно ремонту і технічного обслуговування Вашого виробу. Малюнки в деталях і інформацію щодо запчастин можна знайти за адресою:

**www.bosch-pt.com**

Команда співробітників Bosch з надання консультації щодо використання продукції із задоволенням відповідь на Ваші запитання стосовно нашої продукції та приладдя до неї.

При всіх додаткових запитаннях та замовленні запчастин, будь ласка, зазначайте 10-значний номер для замовлення, що стоїть на паспортній табличці продукту.

Гарантійне обслуговування і ремонт електроінструменту здійснюються відповідно до вимог і норм виготовлювача на території всіх країн лише у фірмових або авторизованих сервісних центрах фірми «Роберт Бош».

**ПОПЕРЕДЖЕННЯ!** Використання контрафактної продукції небезпечно в експлуатації і може мати негативні наслідки для здоров'я. Виготовлення і розповсюдження контрафактної продукції переслідується за Законом в адміністративному і кримінальному порядку.

### Україна

ТОВ «Роберт Бош»

Сервісний центр електроінструментів

вул. Крайня, 1, 02660, Київ-60

Україна

Тел.: (044) 4 90 24 07 (багатоканальний)

E-Mail: pt-service.ua@bosch.com

Офіційний сайт: www.bosch-powertools.com.ua

Адреса Регіональних гарантійних сервісних майстерень зазначена в Національному гарантійному талоні.

### Утилізація

Вимірювальні прилади, приладдя і упаковку треба здавати на екологічно чисту повторну переробку.

Не викидайте вимірювальні інструменти та акумуляторні батареї/батареїки в побутове сміття!

### Лише для країн ЄС:



Відповідно до європейської директиви 2012/19/EU та європейської директиви 2006/66/EC відпрацьовані вимірювальні прилади, пошкоджені або відпрацьовані акумуляторні батареї/батареїки повинні здаватися окремо і утилізуватися екологічно чистим способом.

### Можливі зміни.



## Қазақша

Өндірушінің өнім үшін қарастырған пайдалану құжаттарының құрамында пайдалану жөніндегі осы нұсқаулық, сонымен бірге қосымшалар да болуы мүмкін. Сәйкестікті растау жайлы ақпарат қосымшада бар. Өнімді өндірген мемлекет туралы ақпарат өнімнің корпусында және қосымшада көрсетілген.

Өндірілген мерзімі Нұсқаулық мұқабасының соңғы бетінде және өнім корпусында көрсетілген.

Импорттаушы контакттік мәліметін орамада табу мүмкін.

### Өнімді пайдалану мерзімі

Өнімнің қызмет ету мерзімі 7 жыл. Өндірілген мерзімнен бастап (өндіру күні зауыт тақтайшасында жазылған) істетпей 5 жыл сақтағаннан соң, өнімді тексерусіз (сервистік тексеру) пайдалану ұсынылмайды.

### Қызметкер немесе пайдаланушының қателіктері мен істен шығу себептерінің тізімі

- өнім корпусынан тікелей түтін шықса, пайдаланбаңыз
- жауын – шашын кезінде сыртта (далада) пайдаланбаңыз
- корпус ішіне су кірсе құрылғыны қосуды болмаңыз

### Шекті күй белгілері

- өнім корпусының зақымдалуы

### Қызмет көрсету түрі мен жиілігі

Әр пайдаланудан соң өнімді тазалау ұсынылады.

### Сақтау

- құрғақ жерде сақтау керек
- жоғары температура көзінен және күн сәулелерінің әсерінен алыс сақтау керек
- сақтау кезінде температураның кенет ауытқуынан қорғау керек
- егер құрал жұмсақ сөмке немесе пластик кейсте жеткізілсе оны осы өзінің қорғағыш қабында сақтау ұсынылады
- сақтау шарттары туралы қосымша ақпарат алу үшін MEMCT 15150 (Шарт 1) құжатын қараңыз

### Тасымалдау

- тасымалдау кезінде өнімді құлатуға және кез келген механикалық ықпал етуге қатаң тыйым салынады
- босату/жүктеу кезінде пакетті қысатын машиналарды пайдалануға рұқсат берілмейді.
- тасымалдау шарттары талаптарын MEMCT 15150 (5 шарт) құжатын оқыңыз.

## Қауіпсіздік нұсқаулары



Өлшеу құралын қауіпсіз және сенімді пайдалану үшін барлық нұсқауларды мұқият оқып, жұмыс барысында ескеріңіз. Өлшеу құралын осы нұсқауларға сай пайдаланбау өлшеу құралындағы кірістірілген қауіпсіздік шараларына жағымсыз әсер етеді. Өлшеу құралындағы ескертулерді көрінбейтін қылмаңыз. **ОСЫ НҰСҚАУЛАРДЫ САҚТАП, ӨЛШЕУ ҚҰРАЛЫН БАСҚАЛАРҒА БЕРГЕНДЕ ОЛАРДЫ ҚОСА ҰСЫНЫҢЫЗ.**

- ▶ Абай болыңыз – егер осы жерде берілген пайдалану немесе түзету құралдарынан басқа құралдан пайдаланса немесе басқа жұмыс әдістері орындалса бұл қауіпті сәулеге шалынуға алып келуі мүмкін.
- ▶ Өлшеу құралы ескерту тақтасымен жабдықталған (өлшеу құралының суретінде графика бетінде 5 нөмірімен белгіленген).



IEC 60825-1:2014-05 Laser Radiation Class 2  
 <1mW, 630-650 nm Do not stare into beam

- ▶ Егер ескерту жапсырмасы сіздің еліңіз тілінде болмаса, алғашқы пайдаланудан алдын оның орнына сіздің еліңіз тілінде болған жапсырманы жабыстырыңыз.



Лазер сәулесін адам немесе жануарларға бағыттамаңыз және өзіңіз де тікелей немесе шағылған лазер сәулесіне қарамаңыз. Осылай адамдардың көзін шағылдыруы мүмкін, сәтсіз оқиғаларға алып келуі және көзді зақымдауы мүмкін.

- ▶ Егер лазер сәулесі көзге түссе көздерді жұмып басты сәуледен ары қартату керек.
- ▶ Лазер құрылығысында ешқандай өзгерту орындамаңыз.
- ▶ Лазер көру көзілдірігін қорғаныш көзілдірігі ретінде пайдаланбаңыз. Лазер көру көзілдірігі лазер сәулесін жақсырақ көру үшін қызмет жасайды, бірақ ол лазер сәулесінен қорғамайды.
- ▶ Лазер көру көзілдірігін күн көзілдірігі ретінде немесе жол қозғалысында пайдаланбаңыз. Лазер көрі көзілдірігі ультрaviolet сәулелерінен толық қорғамай рең көру қабілетін азайтады.
- ▶ Өлшеу құралын тек білікті маманға және арнаулы бөлшектермен жөндеңіз. Сол арқылы өлшеу құрал қауіпсіздігін сақтайсыз.
- ▶ Балалар лазер өлшеу құралын бақылаусыз пайдаланбасын. Олар білмей адамдардың көзін шағылыстыру мүмкін.
- ▶ Жанатын сұйықтықтар, газдар немесе шаң жиылған жарылыс қаупі бар ортада өлшеу құралын пайдаланбаңыз. Өлшеу құралы ұшқын шығарып, шаңды жандырып, өрт тудыруы мүмкін.





### Өлшей құралы мен лазер қабылдағышын 25 кардиостимуляторға жақындатпаңыз.

Өлшеу құралының ішіндегі магнит арқылы және лазер қабылдағышының магнитті тақтасы 24 арқылы кардиостимулятор жұмысына әсер ететін өріс жасалады.

- **Өлшеу құралын және лазер қабылдағышын 25 магнитті дерек тасымалдаушылар мен магнитке сезімтал аспаптардан алыс ұстаңыз.** Магниттердің әсері қалпына келтіруге болмайтын деректер жоғалуына алып келуі мүмкін.

## Өнім және қызмет сипаттамасы

### Тағайындалу бойынша қолдану

Өлшеу құралы көлденең сызықтар, тік сызықтар және перпендикуляр негізі көмегімен нивелирлеу жұмысына арналған.

### Бейнеленген құрамды бөлшектер

Көрсетілген құрамдастар нөмірі суреттер бар беттегі өлшеу құралының сипаттамасына қатысты.

- 1 Лазер сәулесінің шығыс тесігі
- 2 Батарея бөлімі қақпағының құлпы
- 3 Батарея бөлімі қақпағы
- 4 Сериялық нөмір
- 5 Лазер ескерту тақтасы
- 6 Өлшеу құралының бекіткіш ойықтары
- 7 Қосқыш/өшіргіш
- 8 Бұрама платформаның ватерпасы
- 9 Штатив патроны 5/8"
- 10 Бұрама платформаның биіктігін реттеу бұрандамасы
- 11 Бұрама платформаның дәл реттеу бұрандамасы
- 12 Айналатын платформа
- 13 Бұрама платформаның бекіткіш ойықтары
- 14 Нивелирлеу автоматикасынсыз жұмыс істеу индикаторы
- 15 Пульстік функцияның көрсеткіші
- 16 Жұмыс индикаторы/батарея ескертуі
- 17 Пульстік функцияның түймешесі
- 18 Вертикалды жұмыс пернесі
- 19 Горизонталды жұмыс пернесі
- 20 Өлшеу пластинасы аяқпен\*
- 21 Таған\*
- 22 Қорғайтын қалта
- 23 Лазер көру көзілдірігі\*
- 24 Магниттік тақта\*
- 25 Лазер қабылдаушы\*
- 26 Телескоптық қарнақ\*
- 27 Ұстағыш\*

\* Бейнеленген немесе сипатталған жабдықтар стандартты жеткізу көлемімен қамтылмайды.

## Техникалық мәліметтер

Сызықтық лазер	GLL 5-50 X	
Өнім нөмірі	3 601 K63 N..	
Жұмыс аймағы <sup>1)</sup>		
– Стандартты лазер сызықтары	м	15
– Пульстік функциямен	м	10
– Лазер қабылдаушымен	м	5–50
– Перпендикуляр негізі	м	5
Әдеттегі лазер сызықтарының нивелирлеу дәлдігі <sup>2)</sup>	мм/м	±0,2
Әдеттегі өз нивелирлеу аймағы	°	±3
Әдеттегі нивелирлеу уақыты	с	< 4
Жұмыс температурасы	°C	–10 ... +45
Сақтау температурасы	°C	–20 ... +70
Салыстырмалы ауа ылғалдығы макс.	%	90
Лазер сыныпы	2	
Лазер түрі	нм	630–650
	мВт	< 1
C <sub>6</sub>	1	
Ең қысқа импульс мерзімі	мс	1,25
Штатив патроны <sup>3)</sup>	"	5/8
Батареялар	4 x 1,5 В LR6 (AA)	
Пайдалану ұзақтығы шам.		
– 1 лазер сызығымен	с	24
– 2 лазер сызықтарымен	с	14
– 3 лазер сызықтарымен	с	10
– 5 лазер сызықтарымен	с	6
ЕРТА-Procedure 01:2014 құжатына сай салмағы	кг	0,54
Өлшемдері (ұзындығы x ені x биіктігі)		
– айналатын платформасыз	мм	122 x 83 x 129
– айналатын платформамен	мм	Ø 151 x 203
Қорғау түрі (батарея бөлімінен тыс)	IP 54*	

1) Жұмыс аймағын қолайсыз қоршау шарттарында (мысалы тікелей күн сәулелерінде) қысқарту мүмкін.

2) зауыттан

3) бұрама платформамен комбинацияда қолжетімді

\* шаң және шашырайтын судан қорғалған

Өлшеу құралының зауыттық тақтайшадағы сериялық нөмірі 4 оны дұрыс анықтауға көмектеседі.

## Жинау

### Батареяларды салу/алмастыру

Өлшеу құралы үшін алкалин марганец батареясын пайдалану ұсынылады.

Батарея бөлімінің қақпағын 3 ашу үшін 2 ысырмасын басып, қақпақты ашыңыз. Батареяны салыңыз. Батарея бөлімінің ішіндегі суретте көрсетілгендей полюстардың дұрыс орналасуын қамтамасыз етіңіз.

## 52 | Қазақша

Батарея ескертуі жыплықтаса **16**, батареяларды алмастыру керек.

Барлық батареяларды бірдей алмастырыңыз. Тек бір өндірушінің және қуаты бірдей батареяларды пайдаланыңыз.

► **Егер ұзақ уақыт пайдаланбасаңыз батареяны өлшеу құралынан алып қойыңыз.** Ұзақ уақыт жатқан батареяларды тот басуы және зарядын жоғалтуы мүмкін.

### Айналатын платформаны пайдаланыңыз (А суретін қараңыз)

Өлшеу құралын бұрама платформаның **12** аспаптық қысқышына бұрама платформаның бекіткіш ойықтары **13** өлшеу құралының төменгі жағындағы тиісті ойықтарына **6** сай келетін етіп орналастырыңыз. Өлшеу құралын бұрама платформада бекіту үшін оны сағат тілімен бұраңыз.

Бұрама платформа аяқтарын биіктікті реттеу бұрандамасымен **10** бұрап шығарыңыз. Бұрама платформаны **8** ватерпасы арқылы теңестіріңіз.

## Пайдалану

### Пайдалануға ендіру

► **Өлшеу құралын сыздан және тікелей күн сәулелерінен сақтаңыз.**

► **Өлшеу құралына айрықша температура немесе температура тербелулері әсер етпеуі тиіс.** Оны мысалы автокөлікте ұзақ уақыт қалдырмаңыз. Үлкен температура тербелулері жағдайында алдымен өлшеу құралын температурасын дұрыстап соң пайдаланыңыз. Айрықша температура немесе температура тербелулері кезінде өлшеу құралының дәлдігі төменделуі мүмкін.

► **Өлшеу құралын қатты соққыдан немесе құлаудан сақтаңыз.** Сыртқы күшті әсерлерден кейін өлшеу құралының жұмысын жалғастырудан алдын әрдайым дәлдігін тексеруді орындау керек (“Нивелирлеу дәлдігі” тарауын қараңыз).

► **Өлшеу құралын тасымалдаудан алдын оны қосыңыз.** Өшіде тербелі бөлігі бұғатталады, әйтпесе ол қатты әрекеттерде зақымдалуы мүмкін.

### Қосу/өшіру

Өлшеу құралын **қосу** үшін қосқыш/ажыратқышты **7** “**On**” күйіне (нивелирлеу автоматикасынсыз жұмыс істегенде) немесе “**On**” күйіне (нивелирлеу автоматикасымен жұмыс істеу үшін) жылжытыңыз. Жұмыс көрсеткісі **16** жанып өлшеу құралы көлденең лазер сызығын дереу алдағы шығыс тесігінен **1** жібереді.

► **Лазер сәулесін адамдарға немесе жануарларға бағыттамаңыз және тіпті алыстан болсын жарық сәулесіне өзіңіз қарамаңыз.**

“Өлшеу” құралын **өшіру** үшін қосқыш/өшіргішті **7** төмендегі “**Off**” күйіне жылжытыңыз. **16** жұмыс индикаторы өшеді. Ажыратуда тербелу блогы бұғатталады.

Рұқсат етілген ең жоғары **45 °C** температурасынан асқаннан соң лазер диодын қорғау үшін құрал өшеді. Суығаннан соң өлшеу құралы қайта қосылуы мүмкін.

### Өшу автоматикасын өшіру

Өлшеу құралы **30** мин жұмыс істегеннен соң автоматты өшеді. Өшіру автоматикасын өшіру үшін өлшеу құралын қосқанда я вертикалды жұмыс пернесін **18** я горизонталды жұмыс пернесін **19** 3 сек басып ұстаңыз. Өшу автоматикасы өшкенде лазер сызықтары **3** с соң қысқа жыпылықтайды.

► **Қосулы зарядтау құралын бақылаусыз қалдырмаңыз және өлшеу құралын пайдаланудан соң өшіріңіз.** Лазер сәулесімен адамдардың көзін шағылыстыру мүмкін.

Автоматты өшуді белсендету үшін өлшеу құралын өшіріп қайта қосыңыз (түймешені баспай).

### Пайдалану түрлері (B – D суреттерін қараңыз)

Горизонталды және вертикалды жұмыстар бір біріне байланыссыз қосылуы және өшірілуі мүмкін. Барлық жұмыс түрлері нивелирлеу автоматикасымен және олсыз да орындалуы мүмкін.

#### Горизонталды жұмыс

Қосудан соң өлшеу құралы горизонталды жұмыста болып көлденеі лазер сызығын алға жібереді.

Көлденеі лазер сызығын өшіру немесе қосу үшін горизонталды жұмыс пернесін **19** басыңыз.

#### Вертикалды жұмыс пен перпендикуляр негізі

Өлшеу құралында бірнеше вертикалды жұмыс түрлері бар:

- тік лазер сызығы алға
- тік лазер сызығы алға және сол жағына
- тік лазер сызығы алға және арқаға
- тік лазер сызықтары төрт жақтың барлығына

Қосымша барлық вертикалды жұмыс түрлерінде перпендикуляр негізі төменге көрсетіледі.

Вертикалды жұмысты қосу/өшіру үшін немесе вертикалды жұмыс түрін ауыстыру үшін вертикалды жұмыс пернесін **18** керекті жұмыс түрі жетілгенше баса беріңіз.

Егер өлшеу құралы бұрама платформада **12** орнатылса, онда тік лазер сызықтарын дәл реттеу бұрандамасымен **11** дәл негізгі нүктелерге бағыттау мүмкін.

#### Пульстік функция

Лазер қабылдаушымен **25** жұмыс істеу үшін – пайдалану түріне – байланыссыз пульстік функцияны белсендіруге болады.

Пульстік функцияда лазер сызықтары жоғары жиілікте жыпылықтап, лазер қабылдаушы үшін **25** көрінетін болады.

Соғу функциясын қосу үшін **17** пернесін басыңыз. Соғу функциясы қосу болса **15** көрсеткісі қызыл түсте жанады. Адам көзі үшін пульстік функция қосулы болғанда лазер сызықтарының көрінісі төмендетіледі. Лазер қабылдаушысыз жұмыс істегенде пульстік функциясын **17** түймешесін қайта басып өшіріңіз. Пульстік функция өшірілуі болғанда **15** көрсеткіші өшеді.

## Нивелирлеу автоматикасы

### Нивелирлеу автоматикасымен жұмыс істеу

Өлшеу құралын көлденең жылжымайтын табанға қойыңыз немесе бұрама платформада **12** бекітіңіз.

Нивелирлеу автоматикасымен жұмыс істеу үшін қосқыш/өшіргішті **7** “**On**” күйіне жылжытыңыз.

Нивелирлеу автоматикасы  $\pm 3^\circ$  өз нивелирлеу аймағындағы тегіс еместіктерді автоматты тегістейді. Лазер сызықтары басқа қозғалмаса нивелирлеу аяқталды.

Автоматты нивелирлеу мүмкін болмаса, мысалы өлшеу құралы тұрған табан көлденең сызықтан  $3^\circ$  көп ауған болса, лазер сызықтары жылдам жыпылықтайды.

Өлшеу құралын көлденең қойып, өз нивелирлеу аяқталғанша күтіңіз. Өлшеу құралы  $\pm 3^\circ$  өз нивелирлеу аймағында тұрса лазер сәулелері қайта үздіксіз жанады.

Пайдалану кезінде қағылыстар болса немесе күй өзгерсе өлшеу құралы автоматты ретте өзін нивелирлейді. Жаңа нивелирлеуден соң қателердің лазер сызықтарының күйін негізгі нүктелерге салыстырып тексеріңіз.

### Нивелирлеу автоматикасынсыз жұмыс істеу

Нивелирлеу автоматикасынсыз жұмыс істеу үшін қосқыш/өшіргішті **7** “**Off**” күйіне жылжытыңыз. Нивелирлеу автоматикасы өшірулі болғанда **14** көрсеткісі қызыл түсте жанып, лазер сызықтары жай жыпылықтайды.

Нивелирлеу автоматикасы өшкенде өлшеу құралын еркін қолда ұстау немесе қисайған табанға қою керек. Лазер сызықтары бір біріне тік ретте болмайды.

## Нивелирлеу дәлдігі

### Дәлдікке әсер ететін жағдайлар

Қоршау температурасы ең күшті әсер етеді. Еденнен жоғарыға болған температура өзгерістері лазер сәулесін ауытқуы мүмкін.

Температура айырмашылығы еденге жақын аймақта үлкен болғаны үшін, өлшеу құралын мүмкіншілік бойынша стандартты штативке **21** орнатып жұмыс аймағының ортасына орналастыру қажет.

Сыртқы әсерлерден тыс аспаптық әсерлер де (мысалы қағылыс немесе қатты соққылар) ауытқуларға алып келуі мүмкін. Сол үшін әр жұмыстан алдын нивелирлеу дәлдігін тексеріңіз.

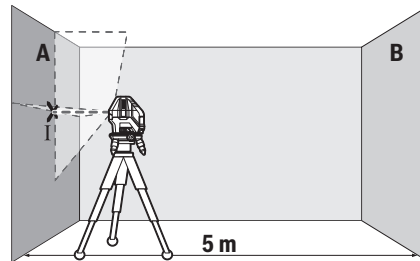
Алдымен көлденең лазер сызығының биіктік және нивелирлеу дәлдігін, сосын тік лазер сызығының нивелирлеу дәлдігін тексеріңіз.

Егер өлшеу құралы тексеруде максималды ауытқуды арттырса, оны Bosch сервис орталығында жөндетіңіз.

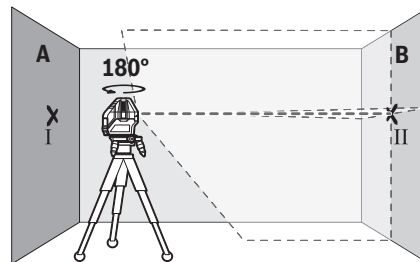
### Көлденең сызықтың биіктік дәлдігін тексеріңіз

Тексеру үшін 5 м бос өлшеу қашықтығы қатты жерде А мен В екі қабырғаның арасында керек болады.

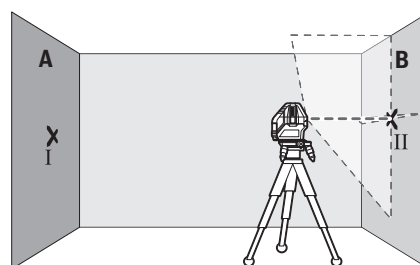
- Өлшеу құралын А қабырғасының қасында бұрама платформа немесе штативке немесе қатты тегіс табанда орнатыңыз. Өлшеу құралын нивелирлеу автоматикасымен қосыңыз. Горизонталды жұмыс пен кез келген вертикалды жұмыс түрін қосыңыз.



- Лазерді жағын А қабырғасына бағыттап өлшеу құралын нивелирлеңіз. Лазер сызықтары қабырғада айқыш-ұйқыш нүктесінің ортасын белгілеңіз (I нүктесі).

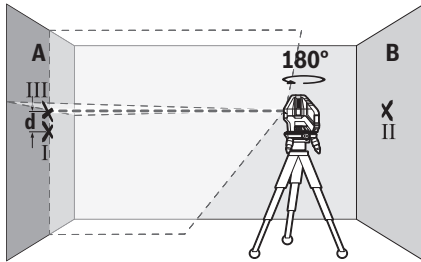


- Өлшеу құралын  $180^\circ$  бұрап, оны нивелирлеп лазер сызықтарының арғы В қабырғасындағы айқыш-ұйқыш нүктесін белгілеңіз (II нүктесі).
- Өлшеу құралын – бұрамай – В қабырғасының қасында орналастырыңыз, қосып нивелирлеңіз.



- Өлшеу құралының биіктігін (штативтер немесе бар болса тіреуіш көмегімен) лазер сызықтарының айқыш-ұйқыш нүктесі В қабырғасында алдымен белгіленген нүктеге II сәйкес болатындай бағыттаңыз.

## 54 | Қазақша



- Биіктігін өзгертпей өлшеу құралын  $180^\circ$  бұраңыз. Оны А қабырғасына тік лазер сызығы белгіленген I нүктесінен ететін етіп бағыттаңыз. Өлшеу құралын нивелирлеп, лазер сызықтарының айқш-ұйқыш нүктесін А қабырғасында (III нүктесі) белгілеңіз.
- А қабырғасындағы I мен III екі белгіленген нүктенің **d** айырмашылығы өлшеу құралының дәл биіктіктен ауытқуын көрсетеді.

Максималды рұқсат етілген ауытқуды  $d_{\text{макс}}$  төмендегідей есептеңіз:

$d_{\text{макс}} = \text{қабырғалардың қосы қашықтығы} \times 0,2 \text{ мм/м}$

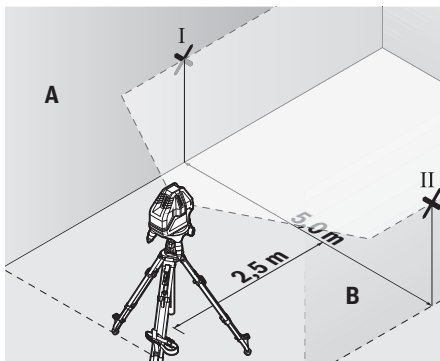
Мысал: егер қабырғалар қашықтығы 5 м болса, максималды ауытқу

$d_{\text{макс}} = 2 \times 5 \text{ м} \times 0,2 \text{ мм/м} = 2 \text{ мм}$  болуы қажет. Осында белгілер аралығының ең ұзыны 2 мм болуы керек.

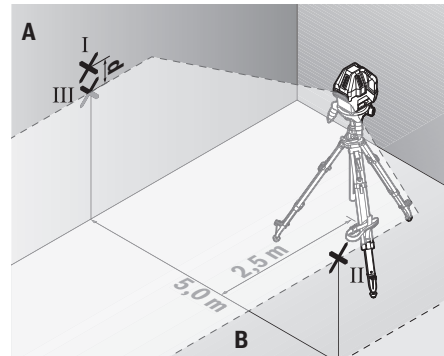
#### Көлденең сызықтың нивелирлеу дәлдігін тексеріңіз

Тексеру үшін шам. 5 x 5 м бос аймақ керек.

- Өлшеу құралын А мен В қабырғаларының арасындағы ортада ұстағыш немесе штативке немесе қатты тегіс табанда орнатыңыз. Өлшеу құралын нивелирлеу автоматикасымен қосыңыз. Горизонталды жұмысты қосып өлшеу құралына өзін нивелирлеу үшін мүмкіндік беріңіз.



- Өлшеу құралынан 2,5 м қашықтықта екі қабырғада лазер сызығының орталығын белгілеңіз (А қабырғасында I нүктесі, В қабырғасында II нүктесі).



- Өлшеу құралын  $180^\circ$  бұрап 5 м қашықтықта орнатып нивелирлеңіз.
- Өлшеу құралының биіктігін (штативтер немесе бар болса тіреуіш көмегімен) лазер сызығының орталығы В қабырғасында алдымен белгіленген нүктеге II сәйкес болатындай бағыттаңыз.
- А қабырғасында лазер сызығының орталығын III нүктесі ретінде белгілеңіз (тік немесе I нүктесі астында).
- А қабырғасындағы I мен III екі белгіленген нүктенің айырмашылығы **d** өлшеу құралының дәл көлденең ауытқуын көрсетеді.

Максималды рұқсат етілген ауытқуды  $d_{\text{макс}}$  төмендегідей есептеңіз:

$d_{\text{макс}} = \text{қабырғалардың қосы қашықтығы} \times 0,2 \text{ мм/м}$

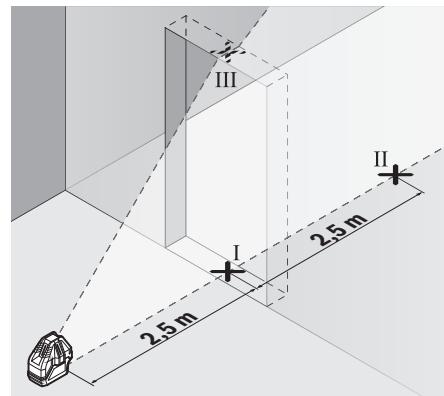
Мысал: егер қабырғалар қашықтығы 5 м болса, максималды ауытқу

$d_{\text{макс}} = 2 \times 5 \text{ м} \times 0,2 \text{ мм/м} = 2 \text{ мм}$  болуы қажет. Осында белгілер аралығының ең ұзыны 2 мм болуы керек.

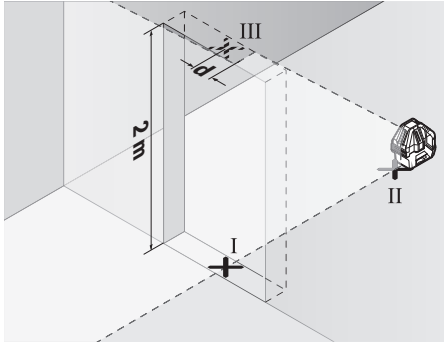
#### Тік сызықтарын нивелирлеу дәлдігін тексеріңіз

Тексеру үшін (қатты табанда) есіктің әр жағынан кемінде 2,5 м жай болатын есік тесігі керек.

- Өлшеу құралын есік тесігінен 2,5 м қашықтықта бекем тегіс табанда орналастырыңыз (бұрама платформада немесе штативте емес). Өлшеу құралын нивелирлеу автоматикасымен қосыңыз. Вертикалды жұмысты барлық тік лазер сызықтарымен қосып алғы тік лазер сызығын есік тесігіне бағыттаңыз. Өлшеу құралын нивелирлеңіз.



- Тік лазер сызығының орталығын есік тесігінің еденінде (I нүктесі), 5 м қашықтықта есік тесігінің басқа жағында (II нүктесі) және есік тесігінің жоғарғы шетінде (III нүктесі) белгілеңіз.



- Өлшеу құралын есік тесігінің басқа жағында тікелей II нүктесінің астында орнатыңыз. Өлшеу құралын нивелирлеп тік лазер сызығын орталығы нақты I мен II нүктелерінен өтетін етіп бағыттаңыз.
- III нүктесі мен есік тесігінің жоғарғы шетіндегі лазер сызығының орталығы  $d$  айырмашылығы өлшеу құралының тік сызықтан дәл ауытқуын көрсетеді.
- Есік тесігінің биіктігін өлшеңіз.

Максималды рұқсат етілген ауытқуды  $d_{\text{макс}}$  төмендегідей есептеңіз:

$d_{\text{макс}} = \text{қабырғалардың қосы қашықтығы} \times 0,2 \text{ мм/м}$

Мысал: егер қабырғалар қашықтығы 2 м болса, максималды ауытқу

$d_{\text{макс}} = 2 \times 2 \text{ м} \times 0,2 \text{ мм/м} = 0,8 \text{ мм}$  болуы қажет. Осында белгілер аралығының ең ұзыны 0,8 мм болуы керек.

### Пайдалану нұсқаулары

- ▶ **Белгілеу үшін әрдайым тек лазер нүктесінің немесе лазер сызығының орталығын пайдаланыңыз.** Лазер нүктесінің өлшемі немесе лазер сызығының ені қашықтықпен өзгереді.

#### Лазер көру көзілдірігі (керек-жарақтар)

Лазер көру көзілдірігі қоршау жарығын сүзгілейді. Ол арқылы лазердің қызыл жарығы көз үшін жарқынырақ болады.

- ▶ **Лазер көру көзілдірігін қорғаныш көзілдірігі ретінде пайдаланбаңыз.** Лазер көру көзілдірігі лазер сәулесін жақсырақ көру үшін қызмет жасайды, бірақ ол лазер сәулесінен қорғамайды.

- ▶ **Лазер көру көзілдірігін күн көзілдірігі ретінде немесе жол қозғалысында пайдаланбаңыз.** Лазер көрі көзілдірігі ультракүлгін сәулелерінен толық қорғайтын рең көру қабилетін азайтады.

#### Лазер қабылдаушымен жұмыс істеу (керек-жарақтар)

Лазер үшін қолайсыз жағдайда (жарық қоршау, тікелей күн сәулелері) және үлкен қашықтарда лазер сызықтарын дұрыс табу үшін лазер қабылдаушыны **25** пайдаланыңыз. Лазер қабылдаушымен жұмыс істеуде пульстік функцияны қосыңыз ("Пульстік функция" 52 бетінде қараңыз).

#### Тағанмен пайдалану (керек-жарақтар) (Е суретін қараңыз)

Штатив тұрақты және биіктігі реттелетін өлшеу табаны болады. Өлшеу құралын бұрама платформада **12** орнатыңыз. Бұрама платформаны 5/8" штатив патронымен **9 21** штативі немесе стандартты құрылыс штатив бұрандасына орнатыңыз. Бұрама платформаны штативтегі құлыптау бұрандасымен бекітіңіз.

#### Өлшеу пластинасымен жұмыс істеу (керек-жарақтар) (F – G суреттерін қараңыз)

Өлшеу пластинасы **20** көмегімен лазер белгілерін еденге немесе лазер биіктігін қабырғаға өткізу мүмкін.

Нөлдік реттілік өрісі мен шкала көмегімен керекті биіктікке жылжытуды өлшеп басқа жерге қайта белгілеу мүмкін. Осылай өлшеу құралын өткізілетін биіктікке дәл реттеу керек болмайды.

Өлшеу пластинасында **20** қайтаратын жамылғы бар, ол үлкен қашықтықта немесе қатты күн сәулелерінде лазер сәулесінің көрінуін жақсартады. Жарықтықтың күшеюі тек лазер сәулесіне параллельді ретте өлшеу пластинасына қараған кезде көрінеді.

#### Падалану мысалдары (B – E суреттерін қараңыз)

Өлшеу құралын пайдалану мүмкіндіктерінің мысалдары суреттер беттерінде берілген.

## Техникалық күтім және қызмет

### Қызмет көрсету және тазалау

Өлшеу құралын тек жеткізілген қорғайтын қабында сақтаңыз немесе тасымалдаңыз.

Өлшеу құралын таза ұстаңыз.

Өлшеу құралын суға немесе басқа сұйықтықтарға батырмаңыз.

Ластануларды суланған, жұмсақ шүберекпен сүртіңіз.

Жуғыш заттарды немесе еріткіштерді пайдаланбаңыз.

Лазер шығыс тесігіндегі аймақтарды сапалы тазалайтын қылшықтарға назар аударыңыз.

Жөндеу үшін өлшеу құралын қорғау қалтасында **22** жіберіңіз.

## Түтынушыға қызмет көрсету және пайдалану кеңестері

Қызмет көрсету шеберханасы өнімді жөндеу және күту, сондай-ақ қосалқы бөлшектер туралы сұрақтарға жауап береді. Қажетті сызбалар мен қосалқы бөлшектер туралы ақпаратты мына мекенжайдан табасыз:

[www.bosch-pt.com](http://www.bosch-pt.com)

Кеңес беруші Bosch қызметкерлері өнімді пайдалану және олардың қосалқы бөлшектері туралы сұрақтарыңызға тиянақты жауап береді.

Сұрақтар қою және қосалқы бөлшектерге тапсырыс беру кезінде міндетті түрде өнімнің зауыттық тақтайшасындағы 10-санды өнім нөмірін жазыңыз.

Өндіруші талаптары мен нормаларының сақталуымен электр құралын жөндеу және кепілді қызмет көрсету барлық мемлекеттер аумағында тек “Роберт Бош” фирмалық немесе авторизацияланған қызмет көрсету орталықтарында орындалады.

ЕСКЕРТУ! Заңсыз жолмен әкелінген өнімдерді пайдалану қауіпті, денсаулығыңызға зиян келтіруі мүмкін. Өнімдерді заңсыз жасау және тарату әкімшілік және қылмыстық тәртіп бойынша Заңмен қудаланады.

### Қазақстан

ЖШС “Роберт Бош”

Электр құралдарына қызмет көрсету орталығы

Алматы қаласы

Қазақстан

050050

Райымбек данғылы

Коммунальная көшесінің бұрышы, 169/1

Тел.: +7 (727) 232 37 07

Факс: +7 (727) 233 07 87

E-Mail: [info.powertools.ka@bosch.com](mailto:info.powertools.ka@bosch.com)

Ресми сайты: [www.bosch.kz](http://www.bosch.kz); [www.bosch-pt.kz](http://www.bosch-pt.kz)

### Кәдеге жарату

Өлшеу құралын, оның жабдықтары мен қаптамасын қоршаған ортаны қорғайтын кәдеге жарату орнына тапсыру қажет.

Өлшеу құралдарын және аккумуляторларды/батареяларды үй қоқысына тастамаңыз!

### Тек қана ЕО елдері үшін:



Еуропа 2012/19/EU ережесі бойынша жарамсыз өлшеу құралдары және Еуропа 2006/66/ЕС ережесі бойынша зақымдалған немесе ескі аккумулятор/батареялар бөлек жиналып, кәдеге жаратылуы қажет.

Техникалық өзгерістер енгізу құқығы сақталады.

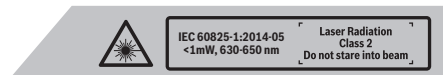
## Македонски

### Безбедносни напомени



**Сите упатства треба да се прочитаат и да се внимава на нив, за да може безбедно и без опасност да работите со овој мерен уред. Доколку мерниот уред не се користи согласно приложените инструкции, може да се наруши функцијата на вградените заштитни механизми во мерниот уред. Не ја оштетувајте ознаката за предупредување на мерниот уред. ДОБРО ЧУВАЈТЕ ГИ ОВИЕ УПАТСТВА И ПРЕДАДЕТЕ ГИ ЗАЕДНО СО МЕРНИОТ УРЕД.**

- ▶ **Внимание – доколку користите други уреди за подесување и ракување освен овде наведените или поинакви постапки, ова може да доведе до опасна изложеност на зрачење.**
- ▶ **Мерниот уред се испорачува со натпис за предупредување (означено на приказот на мерниот уред на графичката страна со број 5).**



- ▶ **Доколку текстот на налепницата за предупредување не е на вашиот јазик, врз него залепете ја налепницата на вашиот јазик пред првата употреба.**



**Не го насочувајте ласерскиот зрак на лица или животни и не погледнувајте директно во него или неговата рефлексија.** Така може да ги заслепите лицата, да предизвикате несреќи или да ги оштетите очите.

- ▶ **Доколку ласерскиот зрак доспее до очите, веднаш треба да ги затворите и да ја тргнете главата од ласерскиот зрак.**
- ▶ **Не вршете никакви промени на ласерскиот уред.**
- ▶ **Не ги користете ласерските очила како заштитни очила.** Ласерските очила служат за подобро препознавање на ласерскиот зрак, но не заштитуваат од ласерското зрачење.
- ▶ **Не ги користете ласерските очила како очила за сонце или пак во сообраќајот.** Ласерските очила не даваат целосна UV-заштита и го намалуваат препознавањето на бои.
- ▶ **Мерниот уред смее да се поправа само од страна на квалификуван стручен персонал со оригинални резервни делови.** Само на тој начин ќе бидете сигурни во безбедноста на мерниот уред.
- ▶ **Не ги оставајте децата да го користат ласерскиот мерен уред без надзор.** Може да ги заслепат другите лица поради невнимание.
- ▶ **Не работете со мерниот уред во околина каде постои опасност од експлозија, каде има запаливи течности, гас или прашина.** Мерниот уред создава искри, кои може да ја запалат правта или пареата.





### Не ги приближувајте мерниот уред и ласерскиот приемник 25 до пејсмејкер.

Со магнетот во внатрешноста на мерниот уред, како и со магнетната плоча 24 на ласерскиот приемник се создава поле, коешто може да ја наруши работата на пејсмејкерот.

- **Мерниот уред и ласерскиот приемник држете ги 25 подалеку од магнетски носачи на податоци и уреди осетливи на магнет.** Поради влијанието на магнетот може да дојде до неповратно губење на податоците.

## Опис на производот и моќноста

### Употреба со соодветна намена

Мерниот уред е наменет за работи со нивелирање со помош на хоризонтални линии, вертикални линии, како и точка на вертикала.

### Илустрација на компоненти

Нумерирањето на сликите со компоненти се однесува на приказот на мерните апарати на графичката страница.

- 1 Излезен отвор за ласерскиот зрак
- 2 Фиксирање на поклопецот на преградата за батерија
- 3 Поклопец на преградата за батеријата
- 4 Сериски број
- 5 Натпис за предупредување на ласерот
- 6 Жлебови за прицврстување на мерниот уред
- 7 Прекинувач за вклучување/исклучување
- 8 Либела на ротирачката платформа
- 9 Прифат на стативот 5/8"
- 10 Завртка за подесување на висината на ротирачката платформа
- 11 Завртка за фино подесување на ротирачката платформа
- 12 Ротирачка платформа
- 13 Жлебови за прицврстување на ротирачката платформа
- 14 Приказ за работење без автоматика за нивелирање
- 15 Приказ за импулсна функција
- 16 Оперативен приказ/предупредување за батеријата
- 17 Копче за импулсна функција
- 18 Копче за вертикален режим
- 19 Копче за хоризонтален режим
- 20 Мерна плоча со ногарка\*
- 21 Статив\*
- 22 Заштитна ташна
- 23 Ласерски очила\*
- 24 Магнетна плоча\*
- 25 Ласерски приемник\*
- 26 Телескопска рачка\*
- 27 Држач\*

\* Опишаната опрема прикажана на сликите не е дел од стандардниот обем на испорака.

## Технички податоци

Линиски ласер		GLL 5-50 X
Број на дел/артикул		3 601 K63 N..
Работно поле <sup>1)</sup>		
– Стандардни ласерски линии	м	15
– со импулсна функција	м	10
– со ласерски приемник	м	5–50
– Точка на вертикалата	м	5
Типично точност на нивелирањето со ласерски линии <sup>2)</sup>	мм/м	± 0,2
Типично поле на самонивелирање	°	± 3
Типично време на нивелирање	с	< 4
Температура при работа	°C	– 10 ... + 45
Температура при складирање	°C	– 20 ... + 70
релативна влажност на воздухот макс.	%	90
Класа на ласер		2
Тип на ласер	nm mW	630–650 < 1
C <sub>6</sub>		1
најкратко времетраење на импулсот	ms	1,25
Прифат за стативот <sup>3)</sup>	"	5/8
Батерии		4 x 1,5 V LR6 (AA)
Времетраење на работа околу		
– со 1 ласерска линија	ч	24
– со 2 ласерски линии	ч	14
– со 3 ласерски линии	ч	10
– со 5 ласерски линии	ч	6
Тежина согласно ЕРТА-Procedure 01:2014	кг	0,54
Димензии (Должина x Ширина x Висина)		
– без ротирачка платформа	мм	122 x 83 x 129
– со ротирачка платформа	мм	Ø 151 x 203
Вид на заштита (освен преградата за батерии)		IP 54*

1) Работното поле може да се намали поради неповолни услови на околината (напр. директна изложеност на сончеви зраци).

2) утврдено место

3) достапно само во комбинација со ротирачка платформа

\* заштитено од прав и прскање на вода

Серискиот број 4 на спецификационата плочка служи за јасна идентификација на вашиот мерен уред.



## Монтажа

### Ставање/менување на батерии

За работа со мерниот уред се препорачува користење на алкално-мангански батерии.

За да го отворите капакот од преградата за батерии **3** притиснете на механизмот за заклучување **2** и извадете го капакот од преградата за батерии. Ставете ги батериите. Притоа внимавајте на половите во согласност со приказот на внатрешната страна од преградата за батерии.

Ако трепка предупредувањето за батерија **16**, тогаш морате да ги промените батериите.

Секогаш заменувајте ги сите батерии одеднаш. Користете само батерии од еден производител и со ист капацитет.

- ▶ **Доколку не сте го користеле мерниот уред повеќе време, извадете ги батериите.** Доколку се подолго време складирани, батериите може да кородираат и да се испразнат.

### Користење на ротирачката платформа (види слика А)

Поставете го мерниот уред во прифатот за уред на ротирачката платформа **12**, така што жлебовите за прицврстување **13** на ротирачката платформа ќе се вклопат во соодветните жлебови **6** на долната страна на мерниот уред. Вртете го мерниот уред во правец на стрелките на часовникот, за цврсто да легне на ротирачката платформа.

Одвртете ги ногарките на ротирачката платформа со завртки за подесување на висината **10**. Грубо израмнете ја ротирачката платформа со помош на либела **8**.

## Употреба

### Ставање во употреба

- ▶ **Заштитете го мерниот уред од влага и директно изложување на сончеви зраци.**
- ▶ **Не го изложувајте мерниот уред на екстремни температури или осцилации во температурата.** На пр. не го оставајте долго време во автомобилот. При големи осцилации во температурата, оставете го мерниот уред најпрво да се аклиматизира, пред да го ставите во употреба. При екстремни температури или осцилации во температурата, прецизноста на мерниот уред може да се наруши.
- ▶ **Избегнувајте ги ударите и превртувањата на мерниот уред.** По силни надворешни влијанија на мерниот уред, пред да го употребите за работа, секогаш извршете проверка на точноста (види „Точност при нивелирање“).
- ▶ **Исклучете го мерниот уред за време на транспортот.** При исклучувањето, се блокира осцилирачката единица, која би се оштетила при интензивни движења.

### Вклучување/исклучување

За **Вклучување** на мерниот уред притиснете го прекинувачот за вклучување/исклучување **7** во позиција „**On**“ (за работење без автоматика за нивелирање) или во позиција „**On**“ (за работење со автоматика за нивелирање). Оперативниот приказ **16** светнува и мерниот уред веднаш праќа хоризонтална ласерска линија од предниот излезен отвор **1**.

- ▶ **Не го насочувајте зракот светлина на лица или животни и не погледнувајте директно во него, дури ни од голема оддалеченост.**

За **Исклучување** на мерниот уред притиснете на прекинувачот за вклучување/исклучување **7** во позиција „**Off**“. Се губи оперативниот приказ **16**. При исклучување, осцилирачката единица се блокира.

При пречекорување на највисоката дозволена работна температура од 45 °C се исклучува заради заштита на ласерската диода. Откако ќе се олади, мерниот уред е повторно подготвен за работа и може одново да се вклучи.

### Деактивирање на автоматиката за исклучување

Мерниот уред автоматски се исклучува по 30 мин. работа. За да ја деактивирате автоматиката за исклучување, при вклучувањето на мерниот уред задржете го копчето за вертикален режим **18** или копчето за хоризонтален режим **19** притиснато 3 s. Доколку автоматиката за исклучување е деактивирана, ласерските линии кратко трепкаат по 3 s.

- ▶ **Не го оставајте вклучениот мерен уред без надзор и исклучете го по употребата.** Другите лица може да се заслепат од ласерскиот зрак.

За да го активирате автоматското исклучување, исклучете го мерниот уред и повторно вклучете го (без притиснато копче).

### Начини на работа (види слики В – D)

Хоризонталниот и вертикалниот режим може да бидат вклучувани и исклучувани независно еден од друг. Сите начини на работа се можни со и без автоматика за нивелирање.

#### Хоризонтален режим

По вклучувањето, мерниот уред се наоѓа во хоризонтален режим и испраќа хоризонтална ласерска линија напред. За да ја вклучите одн. исклучите хоризонталната ласерска линија, притиснете го копчето за хоризонтален режим **19**.

#### Вертикален режим и точка на вертикала

Мерниот уред располага со повеќе вертикални начини на работа:

- вертикална ласерска линија напред
  - вертикална ласерска линија напред и кон левата страна
  - вертикална ласерска линија напред и на назад
  - вертикални ласерски линии на сите четири страни
- Дополнително во сите вертикални начини на работа се проектира точка на вертикала надолу.

За вклучување/исклучување на вертикалниот начин на работа одн. за промена на вертикалниот начин на работа притискајте го копчето за вертикален режим **18**, додека не се појави посакуваниот начин на работа.

Ако мерниот уред е монтиран на ротирачката платформа **12**, тогаш можете точно да ги израмните вертикалните ласерски линии на референтните точки со завртка за фино подесување **11**.

#### Импулсна функција

За работење со ласерски приемник **25** мора – , независимо од избраниот начин на работа – , да биде активирана импулсната функција.

При активирана импулсна функција, ласерските линии трепкаат со многу висока фреквенција и така може да се најде ласерскиот приемник **25**.

За вклучување на импулсната функција притиснете на копчето **17**. При вклучена импулсна функција приказот **15** свети црвено.

За човечкото око видливоста на ласерските линии е намалена доколку е вклучена импулсната функција. За работење без ласерски приемник, исклучете ја импулсната функција со одново притискање на копчето **17**. Кога е исклучена импулсната функција, се гаси приказот **15**.

#### Автоматика за нивелирање

##### Работење со автоматика за нивелирање

Поставете го мерниот уред на хоризонтална, цврста подлога или прицврстете го на ротирачката платформа **12**.

За работење со автоматика за нивелирање, притиснете го прекинувачот за вклучување/исклучување **7** во позиција „**On**“.

Автоматиката за нивелирање автоматски ги израмнува нерамнините во полето на самонивелирање  $\pm 3^\circ$ . Нивелирањето е завршено штом ласерските линии не се движат повеќе.

Доколку не е возможно автоматско нивелирање, на пр. бидејќи подлогата на мерниот уред отстапува повеќе од  $3^\circ$  на хоризонталата, ласерските линии трепкаат во брз такт.

Поставете го мерниот уред хоризонтално и почекајте го самонивелирањето. Штом мерниот уред ќе се најде во полето на самонивелирање од  $\pm 3^\circ$ , ласерските линии светат непрекинато.

При вибрации или промена на положбата за време на работата, мерниот уред повторно се нивелира автоматски. По повторното нивелирање, проверете ја позицијата на ласерската линија во однос на референтните точки, за да се избегнат грешки.

##### Работење без автоматика за нивелирање

За работење без автоматика за нивелирање, притиснете го прекинувачот за вклучување/исклучување **7** во позиција „**Off**“. При исклучена автоматика за нивелирање, приказот **14** свети црвено и ласерските линии непрекинато трепкаат во бавен такт.

При исклучена автоматика за нивелирање, мерниот уред може да го држите слободно во рака или да го поставите на навалена подлога. Ласерските линии не мора да се вертикално една кон друга.

#### Точност при нивелирање

##### Влијанија на точноста

Најголемо влијание врши околната температура. Особено температурните разлики кои се движат од подот нагоре може да го пренасочат ласерскиот зрак.

Бидејќи топлинското раслојување е најголемо во близина на подот, доколку е возможно монтирајте го мерниот уред на статив **21** и поставете го во средината на работната површина.

Освен надворешните влијанија, до отстапување може да доведат и влијанијата специфични за уредот (како на пр. падови или јаки потреси). Затоа, пред секој почеток на работа проверете ја точноста на нивелирањето.

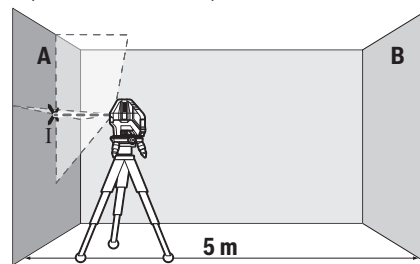
Најпрво проверете ја точноста на висините, како и на нивелирањето на хоризонталната ласерска линија, а потоа точноста на нивелирањето на вертикалните ласерски линии.

Доколку, при некоја од проверките, мерниот уред го пречекори максималното мерно отстапување, дајте го на поправка во сервисната служба на Bosch.

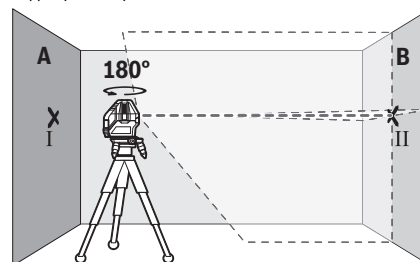
##### Проверка на точноста на висината на хоризонталната линија

За проверката потребна ви е слободна мерна линија од 5 м на цврста подлога помеѓу два зида А и В.

- Монтирајте го мерниот уред во близина на ѕидот А на ротирачка платформа, одн. на еден статив или поставете го на цврста, рамна подлога. Вклучете го мерниот уред во режим со автоматика за нивелирање. Вклучете ги хоризонталниот режим и еден од вертикалните начини на работа.

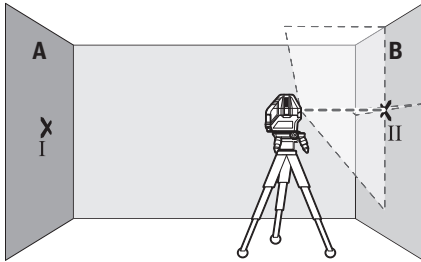


- Насочете го ласерот во близина на ѕидот А и оставете го мерниот уред да се нивелира. Обележете ја средината на точката, каде ласерските линии се вкрстуваат на ѕидот (точка I).

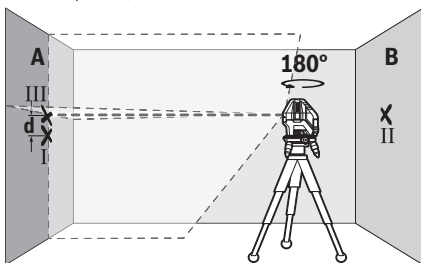


60 | Македонски

- Свртете го мерниот уред за 180°, оставете го да се нивелира и означете ја точката на вкрстување на ласерските линии на спротивниот ѕид В (точка II).
- Поставете го мерниот уред – без да го вртите – во близина на ѕидот В, вклучете го и оставете го да се нивелира.



- Поставете го мерниот уред по висина (со помош на стативот или евентуално со подлогата), така што точката на вкрстување на ласерските линии точно ќе ја погоди претходно означената точка II на ѕидот В.



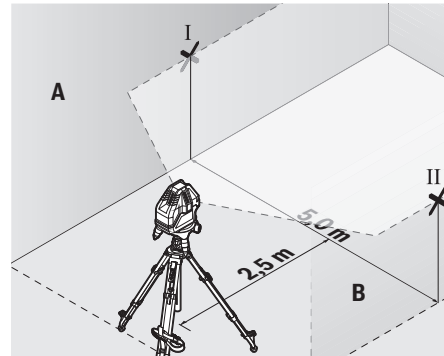
- Свртете го мерниот уред за 180°, без да ја промените висината. Насочете го на ѕидот А, така што вертикалната ласерска линија проаѓа низ веќе означената точка I. Оставете го мерниот уред да се нивелира и означете ја точката на вкрстување на ласерските линии на ѕидот А (точка III).
- Разликата **d** на двете означени точки I и III на ѕидот А го дава фактичкото отстапување од висината на мерниот уред.

Максималното дозволено отстапување  $d_{\text{макс}}$  ќе го пресметате на следниот начин:  
 $d_{\text{макс}} = \text{двојно растојание меѓу ѕидовите} \times 0,2 \text{ mm/m}$   
 Пример: При растојание меѓу ѕидовите од 5 m, максималното отстапување смее да изнесува  $d_{\text{макс}} = 2 \times 5 \text{ m} \times 0,2 \text{ mm/m} = 2 \text{ mm}$ . Ознаките смеат да лежат најмногу 2 mm една од друга.

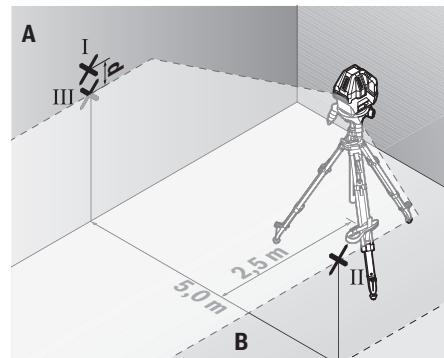
**Проверка на точноста на нивелирањето на хоризонталната линија**

За проверка, потребна ви е слободна површина од околу 5 x 5 m.

- Монтирајте го мерниот уред во средина меѓу ѕидовите А и В на ротирачка платформа, одн. на еден статив или поставете го на цврста, рамна подлога. Вклучете го мерниот уред во режим со автоматика за нивелирање. Вклучете го хоризонталниот режим и оставете мерниот уред да се нивелира.



- На 2,5 m растојание од мерниот уред, на двата ѕида означете ја средината на ласерската линија (точка I на ѕидот А и точка II на ѕидот В).



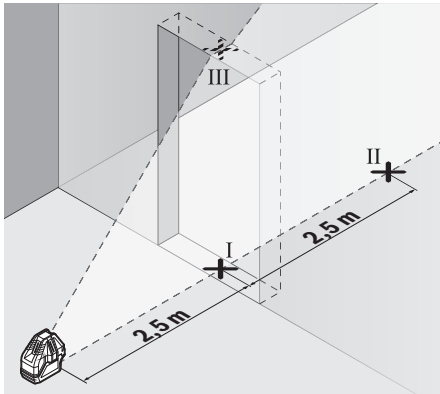
- Поставете го мерниот уред, свртен за 180° во 5 m растојание и оставете го да се нивелира.
- Поставете го мерниот уред по висина (со помош на стативот или евентуално со подлогата), така што средината на ласерските линии точно ќе ја погоди претходно означената точка II на ѕидот В.
- На ѕидот А обележете ја средината на ласерската линија како точка III (вертикално над или под точката I).
- Разликата **d** на двете означени точки I и III на ѕидот А го дава фактичкото отстапување на мерниот уред од хоризонталата.

Максималното дозволено отстапување  $d_{\text{макс}}$  ќе го пресметате на следниот начин:  
 $d_{\text{макс}} = \text{двојно растојание меѓу ѕидовите} \times 0,2 \text{ mm/m}$   
 Пример: При растојание меѓу ѕидовите од 5 m, максималното отстапување смее да изнесува  $d_{\text{макс}} = 2 \times 5 \text{ m} \times 0,2 \text{ mm/m} = 2 \text{ mm}$ . Ознаките смеат да лежат најмногу 2 mm една од друга.

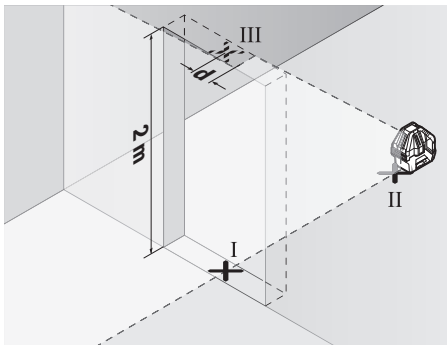
**Проверка на точноста на нивелирањето на вертикалните линии**

За контрола потребен ви е отвор од вратата, каде (на цврста подлога) на секоја страна од вратата има место од најмалку 2,5 m.

- Поставете го мерниот уред на 2,5 m растојание од отворот на вратата на цврста, рамна подлога (не на ротирачка платформа или статив). Вклучете го мерниот уред во режим со автоматика за нивелирање. Вклучете го вертикалниот режим со сите вертикални ласерски линии и израмнете ја предната вертикалната ласерска линија на отворот на вратата. Оставете го мерниот уред да се нивелира.



- Означете ја средината на вертикалната ласерска линија на подот од отворот на вратата (точка I), на 5 m растојание од другата страна на отворот од вратата (точка II) како и на горниот раб на вратата од отворот (точка III).



- Поставете го мерниот уред на другата страна на отворот од вратата директно зад точката II. Оставете го мерниот уред да се нивелира и насочете ја вертикалната ласерска линија така што нејзината средина ќе поминува точно низ точките I и II.
- Разликата  $d$  помеѓу точката III и средината на ласерската линија на горниот раб на отворот на вратата го дава точното отстапување на мерниот уред од вертикалата.
- Измерете ја висината на отворот од вратата.

Максималното дозволено отстапување  $d_{\text{макс}}$  ќе го пресметате на следниот начин:  
 $d_{\text{макс}} = \text{двојна висина на отворот на вратата} \times 0,2 \text{ mm/m}$

Пример: При висина на отворот на вратата од 2 m, максималното отстапување смее да изнесува  
 $d_{\text{макс}} = 2 \times 2 \text{ m} \times 0,2 \text{ mm/m} = 0,8 \text{ mm}$ . Ознаките смееат да лежат најмногу 0,8 mm една од друга.

### Совети при работењето

- ▶ **За обележување користете ја секогаш средината на ласерската точка одн. ласерската линија.** Големината на ласерската точка одн. ширината на ласерската линија се менува согласно растојанието.

### Ласерски очила (опрема)

Ласерските очила ја филтрираат околната светлина. На тој начин црвеното светло на ласерот изгледа посветло за окото.

- ▶ **Не ги користете ласерските очила како заштитни очила.** Ласерските очила служат за подобро препознавање на ласерскиот зрак, но не заштитуваат од ласерското зрачење.
- ▶ **Не ги користете ласерските очила како очила за сонце или пак во сообраќајот.** Ласерските очила не даваат целосна UV-заштита и го намалуваат препознавањето на бои.

### Работење со ласерски приемник (опрема)

При неповолни светлосни услови (осветлена околина, директни сончеви зраци) и на големи растојанија за подобро наоѓање на ласерската линија користете го ласерскиот приемник **25**. При работата со ласерски приемник користете ја импулсната функција (види „Импулсна функција“, страна 59).

### Работење со статив (опрема) (види слика E)

Стативот овозможува стабилна мерна подлога што може да се подесува по висина. Монтирајте го мерниот уред на ротирачка платформа **12**. Поставете ја ротирачката платформа со 5/8"-прифат на стативот **9** на навојот на стативот **21** или на обичен градежен статив. Зацврстете ја ротирачката платформа со завртка за фиксирање на стативот.

### Работење со мерна плоча (опрема) (види слики F – G)

Со помош на мерната плоча **20** ознаката од ласерот може да ја пренесете на подот, одн. висината на ласерот да ја пренесете на сид.

Со нулта-полето и скалата може да го измерите отстапувањето кон саканата висина и повторно да го пренесете на друго место. На тој начин отпаѓа точното подесување на мерниот уред на висината на која треба да се пренесе.

Мерната плоча **20** има рефлектирачки слој, кој ја подобрува видливоста на ласерскиот зрак на големи растојанија одн. при јаки сончеви зраци. Зајакнувањето на осветлувањето може да се препознае само кога гледате паралелно кон ласерскиот зрак на мерната плоча.

### Примери за работа (види слики B – E)

Примери за можностите на примена на мерниот уред ќе најдете на графичките страници.

62 | Srpski

## Одржување и сервис

### Одржување и чистење

Мерниот уред складирајте го и транспортирајте го само во испорачаната заштитна ташна.

Постојано одржувајте ја чистотата на мерниот уред. Не го потопувајте мерниот уред во вода или други течности.

Избришете ги нечистотиите со влажна мека крпа. Не користете средства за чистење или раствори.

Редовно чистете ги површините околу излезниот отвор на ласерот и притоа внимавајте на влакненцата.

Во случај да треба да се поправи, пратете го мерниот уред во заштитната ташна **22**.

### Сервисна служба и совети при користење

Сервисната служба ќе одговори на Вашите прашања во врска со поправката и одржувањето на Вашиот производ како и резервните делови. Експлозивен цртеж и информации за резервни делови ќе најдете на:

**www.bosch-pt.com**

Тимот за советување при користење на Bosch ќе ви помогне доколку имате прашања за нашите производи и опрема.

За сите прашања и нарачки на резервни делови, Ве молиме наведете го 10-цифрениот број од спецификационата плочка на производот.

### Македонија

Д.Д.Електрис  
Сава Ковачевиќ 47Њ, број 3  
1000 Скопје

Е-пошта: dimce.dimcev@servis-bosch.mk

Интернет: www.servis-bosch.mk

Тел./факс: 02/ 246 76 10

Моб.: 070 595 888

### Отстранување

Мерните уреди, опремата и амбалажите треба да се отстранат на еколошки прифатлив начин.

Не ги фрлајте мерните уреди и батериите во домашната канта за губре!

### Само за земји во рамки на ЕУ



Според европската регулатива 2012/19/EU мерните уреди што се вон употреба и дефектните или искористените батерии според регулативата 2006/66/EC мора одделно да се соберат и да се рециклираат за повторна употреба.

Се задржува правото на промена.

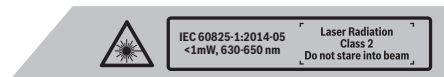
## Srpski

### Упутства о сигурности



**Морате да прочитате и обртите пажњу на сва упутства како бисте са алтом радили без опасности и безбедно. Ако мерни алат не употребљавате у складу са приложеним упутствима, можете да угрозите заштитне мере које су интегрисане у мерни алат. Немојте да дозволите да плочице са упозоренима буду неразумљиве. ДОБРО САЧУВАЈТЕ ОВО УПУТСТВО И ПРЕДАЈТЕ ГА ЗАЈЕДНО СА АЛАТОМ, АКО ГА ПРОСЛЕДУЈЕТЕ ДАЛЈЕ.**

- **Опрез – ако се користе други уредјаци за рад или podešavanje од оних који су овде наведени, или изводе други поступци, може ово водити експлозијам са зрачењем.**
- **Мерни алат се испоручује са једном упозоравујућом таблицом (у приказу мernог алата означена на граfiчкој страници са бројем 5).**



- **Ако текст таблице са опоменом није на Ваšem језику, онда прелепите га пре првог пуштања у рад са испорученом налепницом на језику Ваše земље.**



**Не усмеравajte ласерски зрак на особе или животиње и сами не гледajte у директан или рефлектујући ласерски зрак.** На тај начин можете да заслепите лица, прозрукujete нежгоде или да оштетите очи.

- **Ако ласерско зрачење доде у око, морате свесно да затворите око и да главу одмах окренете од зрака.**
- **Немојте да вршите промене на ласерској опреми.**
- **Не користите ласерске наочаре за посматрање као заштитне наочаре.** Ласерске наочаре за посматрање служе за болје препознавање ласерског зрака, оне не штите од ласерског зрачења.
- **Не употребљавajte ласерске наочаре за посматрање као наочаре за сунце или у путном саобраћају.** Ласерске наочаре за посматрање не пружају пуну UV заштиту и smanjuju опажање боја.
- **Нека Вам мерни алат поправља стручно особље и само са originalним резервним деловима.** Тиме се обезбедује, да сигурност мernог алата остаје сачувана.
- **Не допуштајте деци коришћење мernог алата са ласером без надзора.** Они би могли ненамерно заслепити особље.
- **Не радите са мernим алатом у околини где постоји опасност од експлозија, у којој се налазе запaljиве течности, gasови или праšине.** У мernом алату се могу произвести варнице, које би запалиле праšину или испарења.



**Merni alat i laserski prijemnik 25 nemojte postavljati u blizini pejsmejkera.** Zbog magneta u unutrašnjosti mernog alata kao i magnetnog diska **24** laserskog prijemnika obrazuje se polje koje može da ugrozi funkciju pejsmejkera.

- **Držite merni alat i laserski prijemnik 25 dalje od magnetnih nosača podataka i uređaja osetljivih na magnete.** Zbog dejstva magneta može da dođe do ireverzibilnog gubitka podataka.

## Opis proizvoda i rada

### Upotreba koja odgovara svrsi

Merni alat je predviđen za zadatke poravnavanja uz pomoć horizontalnih linija, vertikalnih linija kao i tačke lemljenja.

### Komponente sa slike

Označavanje brojevima komponenti sa slike odnosi se na prikaz mernog alata na grafičkoj stranici.

- 1 Izlazni otvor laserskog zraka
- 2 Blokiranje poklopca prostora za bateriju
- 3 Poklopac prostora za bateriju
- 4 Serijski broj
- 5 Laserska tablica sa opomenom
- 6 Žlebovi za pričvršćivanje mernog alata
- 7 Prekidač za uključivanje-isključivanje
- 8 Libela obrtne platforme
- 9 Prihvat stativa 5/8"
- 10 Zavrtanj za podešavanje visine obrtne platforme
- 11 Zavrtanj za fino podešavanje obrtne platforme
- 12 Obrtna platforma
- 13 Žlebovi za pričvršćivanje obrtne platforme
- 14 Pokazivač rada bez automatike nivelisanja
- 15 Pokazivač funkcije pulsa
- 16 Operativni indikator/Upozorenje o bateriji
- 17 Taster za funkciju pulsa
- 18 Taster vertikalnog pogona
- 19 Taster horizontalnog pogona
- 20 Merna ploča sa podnožjem\*
- 21 Stativ\*
- 22 Zaštitna torba
- 23 Laserske naočare za gledanje\*
- 24 Magnetna ploča\*
- 25 Prijemnik lasera\*
- 26 Teleskopska šipka\*
- 27 Držać\*

\* **Pribor sa slike ili koji je opisan ne spada u standardni obim isporuka.**

## Tehnički podaci

Linijski laser		GLL 5-50 X
Broj predmeta		3 601 K63 N..
Radna zona <sup>1)</sup>		
– Laserske linije Standard	m	15
– sa funkcijom pulsa	m	10
– sa prijemnikom za laser	m	5–50
– Tačka lemljenja	m	5
Provera preciznosti nivelacije laserskih linija tipično <sup>2)</sup>	mm/m	± 0,2
Područje sa automatskim nivelisanjem tipično	°	± 3
Vreme nivelisanja tipično	s	< 4
Radna temperatura	°C	– 10 ... + 45
Temperatura skladišta	°C	– 20 ... + 70
Relativna vlaga vazduha max.	%	90
Klasa lasera		2
Tip lasera	nm mW	630–650 < 1
C <sub>6</sub>		1
najkraće trajanje impulsa	ms	1,25
Prijemnica za stativ <sup>3)</sup>	"	5/8
Baterije		4 x 1,5 V LR6 (AA)
Trajanje pogona otp.		
– sa 1 laserskom linijom	h	24
– sa 2 laserske linije	h	14
– sa 3 laserske linije	h	10
– sa 5 laserskih linija	h	6
Težina prema EPTA-Procedure 01:2014	kg	0,54
Mere (dužina x širina x visina)		
– bez obrtne platforme	mm	122 x 83 x 129
– sa obrtnom platformom	mm	Ø 151 x 203
Vrsta zaštite (osim prostora za bateriju)		IP 54*

1) Radno područje se može smanjiti usled nepovoljnih uslova okoline (na primer direktno sunčevo zračenje).

2) franko fabrika

3) dostupno samo u kombinaciji sa obrtnom platformom

\* zaštićeno od prašine i vode koja pršće

Za jasniju identifikaciju Vašeg mernog alata služi serijski broj **4** na tipskoj tablici.

## Montaža

### Ubacivanje baterije/promena

Za rad mernog alata preporučuje se primena alkalno-mangan-skih baterija.

Za otvaranje poklopca prostora za bateriju **3** pritisnite na blokadu **2** i skinite poklopac prostora za bateriju. Ubacite baterije. Pazite pritom na pol prema prikazu na unutrašnjoj strani prostora za bateriju.

Ako treperi upozorenje o bateriji **16** morate da promenite baterije.



## 64 | Srpski

Menjajte uvek sve baterije istovremeno. Upotrebljavajte samo baterije jednog proizvođača i sa istim kapacitetom.

- ▶ **Izvadite baterije iz mernog alata, ako ih ne koristite duže vremena.** Baterije mogu pri dužem vremenu korodirati i čak se same isprazniti.

### Upotreba obrtne platforme (pogledajte sliku A)

Postavite merni alat na prijemnicu uređaja obrtne platforme **12**, tako da se žlebovi za pričvršćivanje **13** obrtne platforme uklapaju između odgovarajućih žlebova **6** na donjoj strani mernog alata. Okrenite merni alat u pravcu okretanja kazaljke na satu, kako bi ga zaključali na obrtnoj platformi.

Pričvrstite nogare obrtne platforme sa zavrtanjima sa podešavanjem visine **10**. Grubo usmerite obrtnu platformu uz pomoć libele **8**.

## Rad

### Puštanje u rad

- ▶ **Čuvajte merni alat od vlage i direktnog sunčevog zračenja.**
- ▶ **Ne izlažite merni alat ekstremnim temperaturama ili temperaturnim kolebanjima.** Ne ostavljajte ga na primer u autu duže vreme. Pustite merni alat pri većim temperaturnim kolebanjima da se prvo temperira, pre nego ga pustite u rad. Pri ekstremnim temperaturama ili temperaturnim kolebanjima može se oštetiti preciznost mernog alata.
- ▶ **Izbegavajte jake udarce ili padove mernog alata.** Posle jačih spoljnih uticaja na merni alat trebali bi pre daljih radova uvek da vršite kontrolu tačnosti (pogledajte „Tačnost nivelisanja“).
- ▶ **Isključite merni alat, ako ga transportujete.** Pri isključivanju se blokira klatni uređaj, koji se inače pri jačim pokretima može oštetiti.

### Uključivanje-isključivanje

Za **Uključivanje** mernog alata pomerite prekidač za uključivanje/isključivanje **7** u poziciju „**On**“ (za rad bez automatskog nivelisanja) ili u poziciju „**On**“ (za rad sa automatskim nivelisanjem). Operativni indikator **16** zasvetli i merni alat odmah šalje horizontalnu lasersku liniju sa prednjeg otvora za izlaz **1**.

- ▶ **Ne usmeravajte laserski zrak na osobe ili životinje i ne gledajte u laserski zrak čak ni sa daljeg odstojanja.**

Za **Isključivanje** mernog alata pomerite prekidač za uključivanje/isključivanje **7** u poziciju „**Off**“. Operativni indikator **16** se isključuje. Kod isključivanja se jedinica za klatno zaključava.

Kod prekoračenja najveće dozvoljene radne temperature 45 °C vrši se isključivanje radi zaštite diode lasera. Posle hladjenja je merni alat ponovo spreman za rad i može se ponovo uključiti.

### Deaktiviranje automatike isključivanja

Merni alat se automatski isključuje nakon 30 min trajanja pogona. Da bi deaktivirali automatsko isključivanje, pri uključivanju mernog alata držite taster vertikalnog pogona **18** ili taster horizontalnog pogona **19** 3 s dugo pritisnutim. Ako je automatsko isključivanje deaktivirano, laserske linije kratko zatrepere nakon 3 s.

- ▶ **Ne ostavljajte slučajno uključen merni alat i isključite merni alat posle upotrebe.** Druge osobe bi mogle da budu zaslepljene od laserskog zraka.

Da bi automatsko isključivanje aktivirali, isključite pa uključite ponovo merni alat (bez pritisnutog tastera).

### Vrste režima rada (pogledajte slike B – D)

Horizontalni i vertikalni pogon mogu se nezavisno jedan od drugog uključiti i isključiti. Svi tipovi pogona su mogući, kako sa, tako i bez automatskog nivelisanja.

#### Horizontalan rad

Po uključivanju merni alat se nalazi u horizontalnom pogonu i šalje ka napred jednu vodoravnu lasersku liniju.

Da bi horizontalnu lasersku liniju isključili odnosno uključili, pritisnite taster horizontalnog pogona **19**.

#### Vertikalni pogon i tačka lemljenja

Merni alat raspolaže sa više tipova vertikalnog pogona:

- uspravna laserska linija ka napred
- uspravna laserska linija ka napred i ka levoj strani
- uspravna laserska linija ka napred i ka pozadi
- uspravna laserska linija prema sve četiri strane

Dodatno se u svim tipovima vertikalnog pogona tačka lemljenja projektuje na dole.

Za uključivanje/isključivanje vertikalnog pogona odn. za menjanje tipa vertikalnog pogona pritisnite taster vertikalnog pogona **18** onoliko puta dok se ne postigne željeni pogon.

Ako je merni alat montiran na obrtnoj platformi **12**, vertikalne laserske linije možete sa zavrtanjem za fino podešavanje **11** tačno da usmerite na referentne tačke.

#### Funkcija pulsa

Za radove sa prijemnikom za laser **25** mora se aktivirati nezavisno od izabrane vrste rada funkcija pulsa.

U funkciji pulsa trepere laserske linije sa vrlo visokom frekvencijom i tako se može naći laserski prijemnik **25**.

Za uključivanje funkcije pulsa pritisnite taster **17**. Kod uključene funkcije pulsa prikaz **15** svetli crveno.

Za ljudsko oko je vidljivost laserskih linija pri uključenoj funkciji pulsa smanjena. Za radove bez laserskog prijemnika isključite stoga funkciju pulsa ponovnim pritiskivanjem tastera **17**. Kod isključene funkcije pulsa gasi se pokazivač **15**.

### Automatika niveliranja

#### Radovi sa automatikom za nivelisanje

Postavite merni alat na vodoravnu, čvrstu podlogu ili ga pričvrstite na obrtnu platformu **12**.

Pomerite za radove sa automatskim nivelisanjem prekidač za uključivanje/isključivanje **7** u poziciju „**On**“.

Automatika za nivelisanje automatski ravna neravnine unutar područja samonivelacije od  $\pm 3^\circ$ . Nivelacija je završena, čim se laserske linije više ne pokreću.

Ako automatsko nivelisanje nije moguće, npr. jer stacionarna površina mernog alata odstupa više od  $3^\circ$  od horizontale, laserske linije počinju brzim taktom da trepere.



Postavite merni alat vodoravno i sačekajte samonivelisanje. Čim se merni alat nalazi u okviru opsega samonivelisanja od  $\pm 3^\circ$ , laserske linije trajno svetle.

U slučaju potresa ili promena položaja tokom režima rada merni alat se automatski iznova niveliše. Posle novog nivelisanja proverite poziciju laserske linije u vezi sa referentnim tačkama, kako biste izbegli greške.

#### Radovi bez automatike nivelisanja

Pomerite za radove bez automatskog nivelisanja prekidač za uključivanje/isključivanje **7** u poziciju „On“. Kod isključenog automatskog nivelisanja svetli prikaz **14** crveno i laserske linije trepere trajno u sporom taktu.

Kod isključene automatike nivelisanja možete merni alat slobodno držati u ruci ili staviti na neku nagnutu podlogu. Laserske linije se ne protežu više prirodno vertikalno jedna prema drugoj.

#### Tačnost nivelisanja

##### Utjecaji tačnosti

Najveći uticaj vrši temperatura okoline. Posebno temperaturne razlike koje se kreću od tla na gore mogu skrenuti laserski zrak.

S obzirom da je termička stratifikacija najveća u blizini tla, merni alat bi trebali po mogućnosti da montirate na stativ **21** i postavite po sredini radne površine.

Pored spoljašnjih uticaja takođe i uticaji specifični za uređaje (kao npr. nagli padovi ili snažni udari) mogu da dovedu do odstupanja. Iz tog razloga pre svakog početka rada proverite preciznost nivelacije.

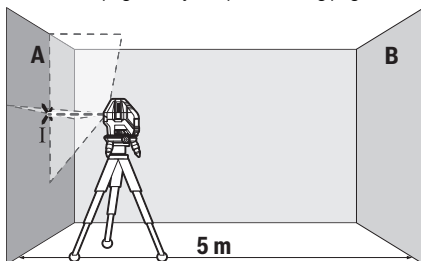
Proverite najpre visinu kao i preciznost nivelacije vodoravne laserske linije, potom preciznost nivelacije uspravne laserske linije.

Ako bi merni alat pri jednoj od kontrola prekoračio maksimalno odstupanje, onda neka ga popravi neki Bosch-servis.

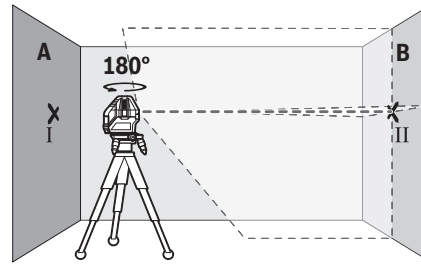
##### Kontrola tačnosti po visini horizontalne linije

Za kontrolu potrebna Vam je slobodna merna linija od 5 m na čvrstoj podlozi između dva zida A i B.

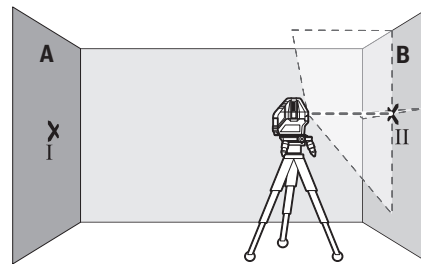
- Montirajte merni alat blizu zida A na obrtnoj platformi odn. stativu, ili postavite ga na čvrstoj, ravnoj podlozi. Uključite merni alat u pogon sa automatskim nivelisanjem. Uključite horizontalni pogon i željeni tip vertikalnog pogona.



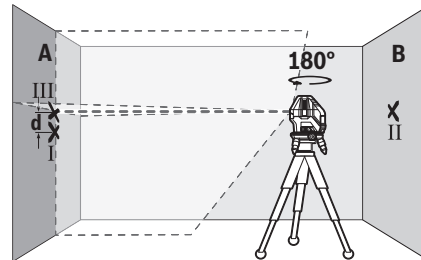
- Usmerite laser na bliži zid A i nivelišite merni alat. Označite sredinu tačke, na kojoj ćete ukrstiti laserske linije na zidu (tačka I).



- Okrenite merni alat za  $180^\circ$  nedostaje stepen, nivelišite ga i označite tačku ukrštanja laserskih linija na suprotnom zidu B (tačka II).
- Postavite merni alat ne okrećući ga blizu zida B, uključite ga i pustite da se niveliše.



- Postavite merni alat po visini tako (sa stativom ili u datom slučaju podmetačima), da tačka ukrštanja laserskih linija tačno pogadja prethodno označenu tačku II na zidu B.



- Okrenite merni alat za  $180^\circ$  nedostaje stepen, ne menjajući visinu. Upravite ga tako na zid A, da vertikalna laserska linija prolazi kroz već označenu tačku I. Nivelišite merni alat i označite tačku ukrštanja laserskih linija na zidu A (tačka III).
- Razlika **d** već označenih tačaka I i III na zidu A daje stvarno odstupanje po visini mernog alata.

Maksimalno dozvoljeno odstupanje  $d_{max}$  izračunavate kako sledi:

$$d_{max} = \text{dvostruki razmak zidova} \times 0,2 \text{ mm/m}$$

Primer: Pri razmaku zidova od 5 m maksimalno odstupanje može

$$d_{max} = 2 \times 5 \text{ m} \times 0,2 \text{ mm/m} = 2 \text{ mm}$$

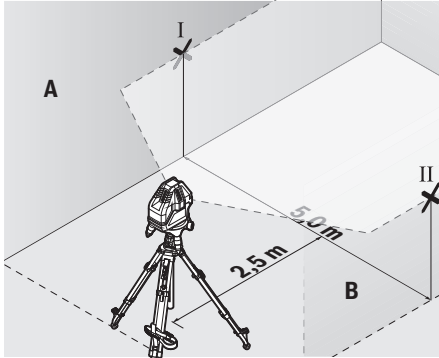
da iznosi. Markeri mogu dakle da se nalaze najviše 2 mm jedan od drugog.

## 66 | Srpski

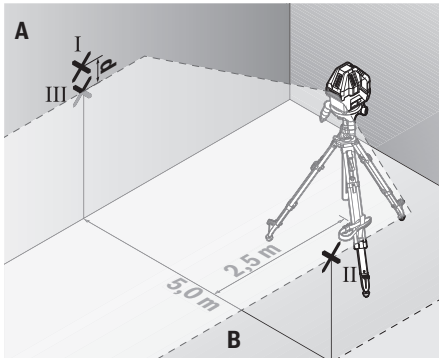
**Kontrola tačnosti nivelisanja horizontalne linije**

Za kontrolu potrebna Vam je slobodna površina od ca. 5 x 5 m.

- Montirajte merni alat u sredini između zidova A i B na obrtnoj platformi odn. stativu, ili postavite ga na čvrstoj, ravnoj podlozi. Uključite merni alat u pogon sa automatskim nivelisanjem. Uključite horizontalni pogon i pustite da se merni alat izniviše.



- Označite na 2,5 m rastojanja od mernog alata na oba zida sredinu laserske linije (tačka I na zidu A i tačka II na zidu B).



- Postavite merni alat okrenut za 180° nedostaje stepen na 5 m rastojanja i nivelišite ga.
- Postavite merni alat po visini tako (pomoću stativa ili u datom slučaju putem podmetača), da sredina laserske linije tačno pogadja prethodno označenu tačku II na zidu B.
- Označite na zidu A sredinu laserske linije kao tačku III (vertikalno preko odnosno ispod tačke I).
- Razlika  $d$  obe označene tačke I i III na zidu A daje stvarno odstupanje mernog alata od horizontale.

Maksimalno dozvoljeno odstupanje  $d_{max}$  izračunavate kako sledi:

$d_{max}$  = dvostruki razmak zidova x 0,2 mm/m

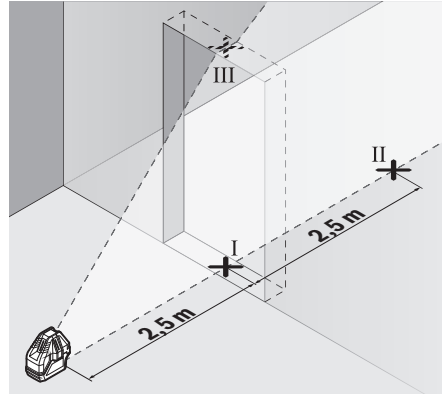
Primer: Pri razmaku zidova od 5 m maksimalno odstupanje može

$d_{max} = 2 \times 5 \text{ m} \times 0,2 \text{ mm/m} = 2 \text{ mm}$  da iznosi. Markeri mogu dakle da se nalaze najviše 2 mm jedan od drugog.

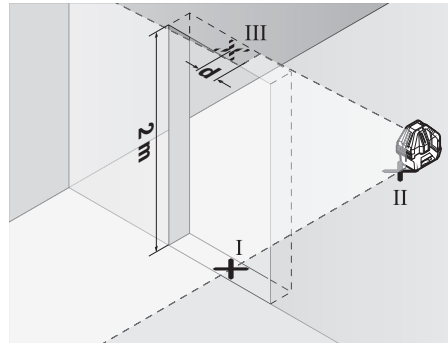
**Prekontrolišite tačnost nivelisanja vertikalnih linija**

Za kontrolu potreban Vam je otvor od vrata, kod kojih (na čvrstoj zemlji) sa svake strane vrata ima najmanje 2,5 m prostora.

- Postavite merni alat u razmaku od 2,5 m od otvora vrata na čvrstoj ravnoj podlozi (ne na obrtnoj platformi ili stativu). Uključite merni alat u pogon sa automatskim nivelisanjem. Uključite vertikalni pogon sa svim uspravnim laserskim linijama i usmerite prednju uspravnu lasersku liniju na otvor vrata. Pustite da se merni alat izniviše.



- Označite sredinu vertikalne laserske linije na podu otvora vrata (tačka I), 5 m rastojanja druge strane otvora vrata (tačka II), kao i na gornjoj ivici otvora vrata (tačka III).



- Postavite merni alat na drugoj strani otvora vrata direktno iza tačke II. Nivelišite merni alat i postavite vertikalnu lasersku liniju tako, da njena sredina prolazi tačno kroz tačke I i II.
- Razlika  $d$  između tačke III i sredine laserske linije na gornjoj ivici otvora vrata daje stvarno odstupanje mernog alata od vertikale.

- Merite visinu otvora vrata.

Maksimalno dozvoljeno odstupanje  $d_{max}$  izračunavate kako sledi:

$d_{max}$  = dvostruka visina otvora vrata x 0,2 mm/m

Primer: Pri visini otvora vrata od 2 m maksimalno odstupanje može

$d_{max} = 2 \times 2 \text{ m} \times 0,2 \text{ mm/m} = 0,8 \text{ mm}$  da iznosi. Markeri mogu dakle da se nalaze najviše 0,8 mm jedan od drugog.

## Uputstva za rad

- ▶ **Upotrebljavajte uvek samo sredinu laserske tačke odnosno laserske linije za markiranje.** Veličina laserske tačke odnosno širina laserske linije menjaju se sa rastojanjem.

### Laserske naočare za gledanje (pribor)

Laserske naočare za gledanje filtriraju okolnu svetlost. Tako izgleda crveno svetlo lasera svetlije za oko.

- ▶ **Ne koristite laserske naočare za posmatranje kao zaštitne naočare.** Laserske naočare za posmatranje služe za bolje prepoznavanje laserskog zraka, one ne štite od laserskog zračenja.
- ▶ **Ne upotrebljavajte laserske naočare za posmatranje kao naočare za sunce ili u putnom saobraćaju.** Laserske naočare za posmatranje ne pružaju punu UV zaštitu i smanjuju opažanje boja.

### Radovi sa laserskim prijemnikom (pribor)

Pri nepovoljnim svetlosnim uslovima (svetla okolina, direktno sunčevo zračenje) i na veća odstojanja koristite radi boljeg nalaženja laserskih linija laserski prijemnik **25**. Uključite pri radovima sa laserskim prijemnikom funkciju pulsa (pogledajte „Funkcija pulsa“, stranicu 64).

### Radovi sa stativom (pribor) (pogledajte sliku E)

Stativ nudi stabilan merni podatak koji je podesiv po visini. Montirajte merni alat na obrtnu platformu **12**. Postavite obrtnu platformu sa 5/8"-prijemnicom za stativ **9** na navoj stativa **21** ili konvencionalnog konstrukcionog stativa. Čvrsto zavrnite obrtnu platformu sa zavrtnjem za pričvršćivanje stativa.

### Radovi sa mernom pločom (pribor) (pogledajte slike F – G)

Pomoću merne ploče **20** možete prenositi laserski marker na pod odnosno visinu lasera na zid.

Sa nultim poljem i skalom možete meriti odstupanje prema željenoj visini i ponovo nanositi na drugom mestu. Tako otpada tačno podešavanje mernog alata na visinu na koju se prenosi.

Merna ploča **20** ima refleksioni sloj koji poboljšava vidljivost laserskog zraka na većem rastojanju odnosno pri jačem sunčevom zračenju. Pojačavanje svetlosti se može samo onda prepoznati, ako gledate na mernu ploču paralelno laserskom zraku.

### Radni primeri (pogledajte slike B – E)

Primere za mogućnosti primene mernog alata naći ćete na grafičkim stranama.

## Održavanje i servis

### Održavanje i čišćenje

Čuvajte i transportujte merni pribor samo u isporučenoj zaštitnoj futroli.

Držite merni alat uvek čist.

Ne uranjajte merni alat u vodu ili druge tečnosti.

Brišite zaprljanja sa vlažnom, mekom krpom. Ne upotrebljavajte nikakva sredstva za čišćenje ili rastvarače.

Čistite redovno posebno površine na izlaznom otvoru lasera i pazite pritom na dlačice.

U slučaju popravke šaljite merni alat u zaštitnoj torbi **22**.

### Servisna služba i savetovanje o upotrebi

Servisna služba odgovoriće na vaša pitanja o popravcima i održavanju vašeg proizvoda i o rezervnim delovima. Uvećane crteže i informacije o rezervnim delovima možete naći na našoj adresi:

**www.bosch-pt.com**

Bosch tim za savetovanje o upotrebi će vam rado pomoći ako imate pitanja o našim proizvodima i priboru.

Molimo da kod svih pitanja i naručivanja rezervnih delova neizostavno navedete broj predmeta sa 10 brojčanih mesta prema tipskoj tablici proizvoda.

### Srpski

Bosch-Service  
Dimitrija Tucovića 59  
11000 Beograd  
Tel.: (011) 6448546  
Fax: (011) 2416293  
E-Mail: asboschz@EUnet.yu

Keller d.o.o.  
Ljubomira Nikolica 29  
18000 Nis  
Tel./Fax: (018) 274030  
Tel./Fax: (018) 531798  
Web: www.keller-nis.com  
E-Mail: office@keller-nis.com

### Uklanjanje djubreta

Merni alati, pribor i pakovanja treba da se dovoze na regeneraciju koja odgovara zaštiti čovekove okoline.

Ne bacajte merne alate i akumulatore (baterije u kućno djubre).

### Samo za EU-zemlje:



Prema evropskoj smernici 2012/19/EU ne moraju više neupotrebljivi merni alati a prema evropskoj smernici 2006/66/EC ne moraju više akumulatori/baterije u kvaru i istrošeni da se odvojeno sakupljaju i odvoze reciklaži koja odgovara zaštiti čovekove sredine.

Zadržavamo pravo na promene.

**تونس**

صوتال

م.ص. المجمع سان كوبان رقم 99 - 25

2014. مكرين رياض تونس

الهاتف: +216 71 428 770

الفاكس: +216 71 354 175

البريد الالكتروني: sotel2@planet.tn

**مصر**

يونيمار

رقم 20 مركز الخدمات

التجمع الاول - القاهرة الجديدة - مصر

الهاتف: +2 02 224 78072-73 / +2 02 224 76091-95

لفاكس: +2 022 2478075

البريد الالكتروني: boschegypt@unimaregypt.com

**التخلص من العدة الكهربائية**يجب التخلص من عدة القياس والتوابع والتغليف بطريقة  
منصفة بالبيئة عن طريق النفايات القابلة لإعادة التصنيع.لا ترم عدد القياس والمراكم/البطاريات في النفايات  
المنزلية!**لدول الاتحاد الأوروبي فقط:**

حسب التوجيه الأوروبي 2012/19/EU يجب  
أن يتم جمع عدد القياس الغير صالحة  
للاستعمال، وحسب التوجيه الأوروبي  
2006/66/EC يجب أن يتم جمع المراكم/  
البطاريات التالفة أو المستهلكة على انفراد  
ليتم التخلص منها بطريقة منصفة بالبيئة  
عن طريق التدوير.



نمتفظ بحق إدخال التعديلات.

**أمثلة شغل (انظر الصور E-B)**يعثر على أمثلة لاستخدامات عدة القياس على صفحات  
الرسوم التخطيطية.**الصيانة والخدمة****الصيانة والتنظيف**

خزن وانقل عدة القياس بحقيبة الوقاية المرفقة فقط.  
حافظ دائما على نظافة عدة القياس.  
لا تغطس عدة القياس في الماء أو غيرها من السوائل.  
امسح الأوساخ بواسطة قطعة نسيج طرية ورطبة. لا  
تستعمل مواد التنظيف أو المواد المحلّة.  
نظف خاصة السطوح عند فتحة خروج الليزر بشكل منتظم  
وانتبه للنسالة أثناء ذلك.  
ترسل عدة القياس في حال توجب تصليحها في حقيبة  
الوقاية 22.

**خدمة الزبائن ومشورة الاستخدام**

يجب مركز خدمة الزبائن على أسئلتكم بصدد تصليح وصيانة  
المنتج وأيضا بما يخص قطع الغيار. يعثر على الرسوم  
الممددة وعلى المعلومات عن قطع الغيار بموقع:

[www.bosch-pt.com](http://www.bosch-pt.com)

سيكون من دواعي سرور فرقة مشورة الاستخدام بشركة  
بوش أن تساعدكم بخصوص الأسئلة عن منتجاتنا وتوابعها.  
يلزم ذكر رقم الصنف ذو الفئات العشر وفقا للوحة صنع  
المنتج عند إرسال أية استفسارات أو طلبيات قطع غيار.

يرجى التوجه إلى التاجر المختص بما يتعلّق بأمر الضمان  
والتصليح وتأمين قطع الغيار.

**المغرب**

اوتبرو

ر3، زنقة الملازم محمد محروض

الدار البيضاء - 20300 - المغرب

الهاتف: +212 (0) 522 400 615 / +212 (0) 522 400 409

البريد الالكتروني: service@outipro.ma

**الجزائر**

سيستال

المنطقة الصناعية احدادن

بجاية 06000 - الجزائر

الهاتف: +213 (0) 982 400 992

الفاكس: +213 (0) 34201569

البريد الالكتروني: sav@siestal-dz.com

- اركن عدة القياس على الجانب الآخر من فتحة الباب مباشرة خلف النقطة II. اسمح بتسوية عدة القياس ووجه خط الليزر العمودي بحيث يمر منتصفه من النقطتين I و II بدقة.
- إن الفرق **d** بين النقطة III ومنتصف خط الليزر على الحافة العلوية بفتحة الباب يشكل تفاوت عدة القياس الحقيقي عن الشاقول.
- يقاس ارتفاع فتحة الباب.
- يمكنك حساب أقصى تفاوت  $d_{max}$  كالتالي:  
 $d_{max} = \text{ضعف ارتفاع فتحة الباب} \times 0,2 \text{ م/م}$   
 مثال: عندما يكون ارتفاع فتحة الباب 2 م يجوز أن يكون أقصى تفاوت  
 $d_{max} = 2 \times 2 \times 0,2 \text{ م/م} = 0,8 \text{ م}$ . وبالتالي يجوز أن تبعد  
 العلامات عن بعضها بحد أقصى 0,8 م.

### ملاحظات شغل

- ◀ استخدم دوما منتصف نقطة الليزر أو خط الليزر فقط من أجل التعليم. يتغير كبر نقطة الليزر أو عرض خط الليزر مع تغير المسافة.

### نظارات رؤية الليزر (من التوابع)

- إن نظارات رؤية الليزر تقوم بترشيح الضوء المحيط، وبذلك يبدو ضوء الليزر الأحمر أكثر سطوعا للعين.
- ◀ لا تستخدم نظارات رؤية الليزر كنظارات واقية. غرض نظارات رؤية الليزر هو تمسين إمكانية رؤية شعاع الليزر ولكنها لا تحمي من إشعاعات الليزر.
- ◀ لا تستخدم نظارات رؤية الليزر كنظارات شمسية أو في نظام المرور. لا تؤمن نظارات رؤية الليزر وقاية كاملة من الأشعة فوق بنفسجية وهي تخفف إمكانية التعرف على الألوان.

### العمل مع مستقبل الليزر (من التوابع)

- استخدم مستقبل الليزر 25 عندما تكون ظروف الإضاءة غير ملائمة (محيط فاتح، أشعة شمس مباشرة) وعلى مسافات كبيرة من أجل تمسين إمكانية العثور على خطوط الليزر. شغل وظيفة النبض عند العمل بواسطة مستقبل الليزر (يراجع "وظيفة النبض"، الصفحة 71).

### العمل بواسطة المنصب الثلاثي القوائم (من التوابع) (تراجع الصورة E)

- يتبع الحامل ثلاثي القوائم أرضية قياس ثابتة يمكن ضبط ارتفاعها. قم بتركيب عدة القياس على المنصة الدوارة 12. ضع المنصة الدوارة مع حاضن الحامل ثلاثي القوائم 5/8 بوصة 9 على فلاووظ الحامل ثلاثي القوائم 21 أو أي حامل تركيب ثلاثي القوائم متداول. أحكم ربط المنصة الدوارة عن طريق لولب ربط الحامل ثلاثي القوائم.

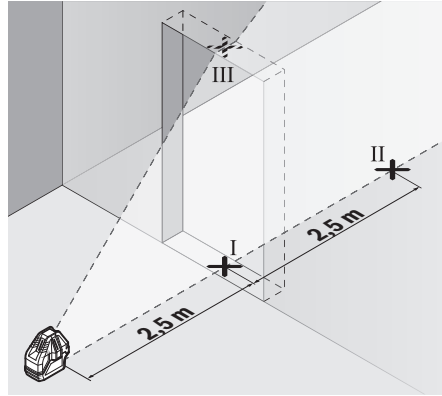
### العمل بصفيحة القياس (من التوابع) (راجع الصور F - G)

- يمكنك بالاستعانة بصفيحة القياس 20 أن تنقل علامة الليزر إلى الأرض أو ارتفاع الليزر إلى الجدار.
- يمكنك بواسطة حقل الصفر على المقياس أن تقيس فرق الارتفاع بالنسبة لارتفاع مرغوب وأن تصيفه بمكان آخر. ويؤدي ذلك إلى عدم ضرورة إعادة ضبط عدة القياس بشكل دقيق على الارتفاع المرغوب نقله.
- إن صفيحة القياس 20 مزودة بطلاء عاكس وهو يحسن إمكانية رؤية شعاع الليزر على بعد كبير أو عندما تشع أشعة الشمس بقوة. يمكنك أن تلاحظ زيادة شدة النصوص فقط إن وجهت نظرك إلى صفيحة القياس إضافة إلى شعاع الليزر.

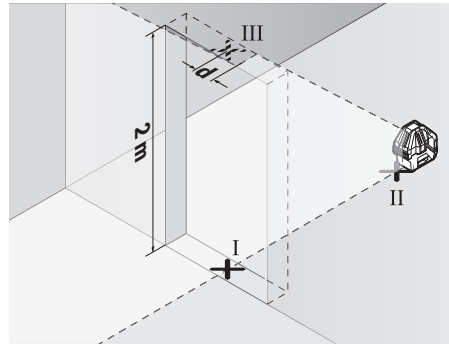
- علم على الجدار A منتصف خط الليزر كنقطة III (فوق أو تحت النقطة I عموديا).
- إن الفرق **d** بين النقطتين I و III المعلمتين على الجدار A يشكل تفاوت عدة القياس الحقيقي عن الأفق.
- بحسب التفاوت الأقصى  $d_{max}$  المسموح بالطريقة التالية:  
 $d_{max} = \text{ضعف البعد بين الجدارين} \times 0,2 \text{ م/م}$   
 مثال: يبلغ التفاوت الأقصى المسموح عندما يبلغ البعد بين الجدارين 5 م  
 $d_{max} = 5 \times 2 \times 0,2 \text{ م/م} = 2 \text{ م}$ . أي أنه يجوز أن يبلغ البعد الأقصى بين العلامتين 2 م.

### تفحص دقة التسوية بالخط العمودي

- لكي يتم التفحص، فإنك بحاجة إلى فتحة باب يتوفر على كل من جانبيها خلاء (على أرضية ثابتة) يبلغ 2,5 م على الأقل.
- أوقف عدة القياس على مسافة 2,5 م من فتحة الباب على أرضية ثابتة ومستوية (ليس على المنصة الدوارة أو الحامل ثلاثي القوائم). قم بتشغيل عدة القياس في طريقة التشغيل مع آلية التسوية. قم بتشغيل طريقة التشغيل الرأسي مع كل خطوط الليزر الرأسية و قم بتوجيه خط الليزر الرأسي الأمامي على فتحة الباب. دع عدة القياس تقوم بضبط الاستواء ذاتيا.



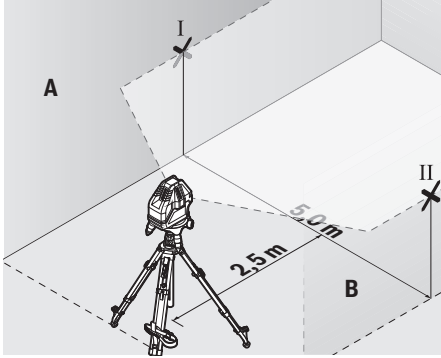
- علم منتصف خط الليزر العمودي على أرض فتحة الباب (النقطة I) وعلى بعد 5 م على الجانب الآخر من فتحة الباب (النقطة II) وأيضا على الحافة العلوية بفتحة الباب (النقطة III).



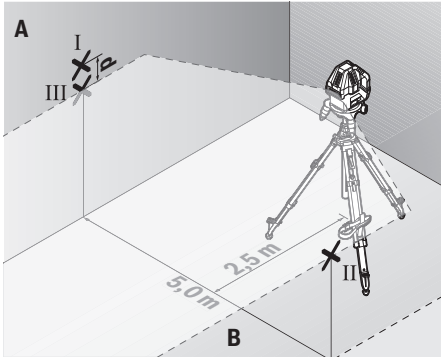
- لها أن تقوم بالتسوية وعلم نقطة تصالب خطي الليزر على الجدار A (النقطة III).
- إن الفرق  $d$  بين النقطتين I و III المعلمتين على الجدار A يشكل تفاوت الارتفاع الحقيقي بعدة القياس.
- بحسب التفاوت الأقصى  $d_{max}$  المسموح بالطريقة التالية:  
 $d_{max} = 0,2 \times \text{ضعف البعد بين الجدارين} \times \text{م/م}$   
 مثال: يبلغ التفاوت الأقصى المسموح عندما يبلغ البعد بين الجدارين 5 م  
 $d_{max} = 0,2 \times 5 \times 2 = 2 \text{ م}$ . أي أنه يجوز أن يبلغ البعد الأقصى بين العلامتين 2 م.

#### تفصص دقة التسوية بالخط الأفقي

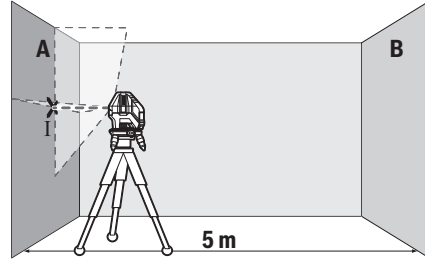
- لكي يتم التفحص، فإنك بحاجة إلى مساحة خالية تبلغ  $5 \times 5$  م تقريباً.
- قم بتركيب عدة القياس في المنتصف بين الجدارين A و B على المنصة الدوارة أو الحامل ثلاثي القوائم أو أوقفها على أرضية مستوية وصلبة. قم بتشغيل عدة القياس في طريقة التشغيل مع آلية التسوية. قم بتشغيل طريقة التشغيل الأفقي ودع عدة القياس تقوم بضبط الاستواء ذاتياً.



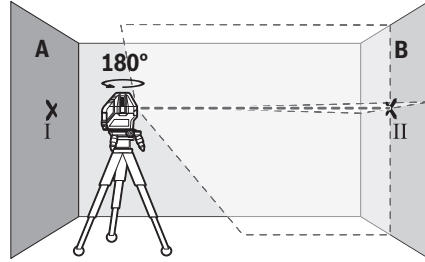
- علم على الجدارين على بعد 2,5 م عن عدة القياس منتصف خط الليزر (النقطة I على الجدار A والنقطة II على الجدار B).



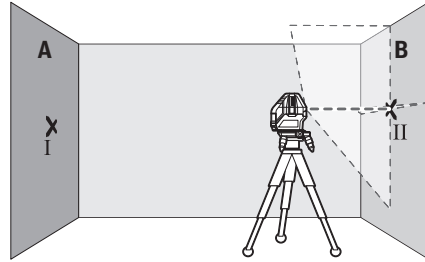
- اركن عدة القياس بعد تدويرها بمقدار  $180^\circ$  على بعد 5 أمتار واسمح لها أن تقوم بالسوية.
- ابدأ بتسوية ارتفاع عدة القياس (بواسطة المنصب الثلاثي القوائم أو من خلال وضع شيء ما تحتها عند الضرورة) بحيث يصيب منتصف خط الليزر بدقة النقطة II التي سبق وتم تعليمها على الجدار B.



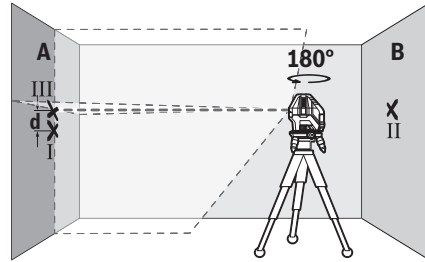
- وجه الليزر على الجدار القريب A. اترك عدة القياس لتقوم بالتسوية. علم منتصف النقطة التي يتصالب بها خط الليزر على الجدار (النقطة I).



- ابرم عدة القياس بمقدار  $180^\circ$  درجة، اسمح لها أن تقوم بالتسوية وعلم منتصف نقطة تصالب خطي الليزر على الجدار المقابل B (النقطة II).
- اركن عدة القياس - دون تدويرها - بقرب الجدار B، شغلها واسمح لها أن تقوم بالتسوية.



- ابدأ بتسوية ارتفاع عدة القياس (بواسطة المنصب الثلاثي القوائم أو من خلال وضع شيء ما تحتها عند الضرورة) بحيث تصيب نقطة تصالب خطي الليزر بدقة النقطة II التي سبق وتم تعليمها على الجدار B.



- ابرم عدة القياس بمقدار  $180^\circ$  درجة دون أن تغير ارتفاعها. وجهها على الجدار A بحيث يمر خط الليزر العمودي عبر النقطة I التي سبق وتم تعليمها. اسمح

## آلية التسوية

### الشغل مع آلية التسوية

ضع عدة القياس على أرضية أفقية ثابتة أو قم بتثبيتها على المنصة الدوارة 12.

للعمل مع آلية التسوية حرك زر التشغيل والإطفاء 7 إلى الوضع "On".

تعادل آلية التسوية بعد التشغيل التعرجات ضمن مجال التسوية الذاتية من  $3^\circ \pm$  بشكل آلي. يكون قد تم ختم التسوية فور توقف خطوط الليزر عن الحركة.

إذا كانت التسوية الأوتوماتيكية غير ممكنة، على سبيل المثال، نظراً لأن نطاق وقوف عدة القياس يميل بزاوية تزيد على  $3^\circ$  عن الخط الأفقي، تبدأ خطوط الليزر في الوميض بإيقاع سريع.

أوقف عدة القياس بشكل أفقي وانتظر ضبط الاستواء الذاتي. بمجرد وجود عدة القياس داخل مجال استواء ذاتي يبلغ  $3^\circ \pm$  تومض خطوط الليزر باستمرار.

في حالة الاهتزازات أو تغيير المواقع أثناء التشغيل يتم ضبط استواء عدة القياس أوتوماتيكياً مرة أخرى. بعد ضبط الاستواء مرة أخرى افحص موضع خطوط الليزر بالنسبة للنقاط المرجعية لتجنب الأخطاء.

### العمل دون آلية التسوية

للعمل دون آلية التسوية حرك زر التشغيل والإطفاء 7 إلى الوضع "On". عندما تكون آلية التسوية متوقفة يضيء المبين 14 باللون الأحمر وتومض خطوط الليزر باستمرار وإيقاع بطيء.

يمكن حمل عدة القياس باليد بمرية أو ركنها على أرضية ملائمة عند اطفاء آلية التسوية. لم يعد من الضروري أن تسري خطوط الليزر بشكل عمودي بالنسبة لبعضها البعض.

## دقة التسوية

### عوامل مؤثرة على الدقة

تشكل درجة الحرارة المحيطة التأثير الأكبر على الدقة. ويمكن بشكل خاص لتفاوتات درجات الحرارة المتوجهة من الأرض إلى الأعلى أن تؤدي إلى انحراف شعاع الليزر.

نظراً لأن التطبيق الحراري بالقرب من الأرضية يكون أكبر ما يمكن، يجب قدر الإمكان تركيب عدة القياس على حامل ثلاثي القوائم 21 ونصبه في منتصف سطح العمل.

علاوة على التأثيرات الخارجية قد تؤدي التأثيرات الخاصة بالجهاز (مثل السقوط أو الصدمات القوية) إلى حدوث تفاوتات. لذلك احرص دائماً على فحص دقة ضبط الاستواء عند كل مرة تبدأ فيها بالعمل.

قم بفحص دقة ارتفاع خط الليزر الأفقي ودقة ضبط استوائه ثم دقة ضبط استواء خطوط الليزر الرأسية.

اسمع بتصلب عدة القياس لدى مركز خدمة الزبائن بشركة بوش لو تجاوزت التفاوت الأقصى بإحدى عمليات التفحص.

### تفحص دقة الارتفاع بالخط الأفقي

لكي يتم التفحص، فإنك بحاجة إلى مسافة قياس خالية على أرضية ثابتة بعدد يبلغ حوالي 5 م بين جدارين A و B.

- قم بتركيب عدة القياس بالقرب من الماثل A على المنصة الدوارة أو على الحامل ثلاثي القوائم أو وضعها على أرضية ثابتة ومستوية. قم بتشغيل عدة القياس في طريقة التشغيل مع آلية التسوية. قم بتشغيل طريقة التشغيل الأفقي وأي طريقة تشغيل رأسي.

يتم الإطفاء عند تجاوز درجة حرارة التشغيل القصوى المسموحة البالغة  $45^\circ\text{C}$  من أجل وقاية صمام الليزر الثنائي. تسمى عدة القياس صالحة للتشغيل بعد التبريد ويمكن إعادة تشغيلها عندئذ.

### إلغاء آلية الإطفاء

تتوقف عدة القياس تلقائياً بعد مدة تشغيل تبلغ 30 دقيقة. لإيقاف فعالية آلية الإطفاء، احتفظ بزر التشغيل الرأسي 18 أو زر التشغيل الأفقي 19 مضغوطة لمدة 3 ث أثناء تشغيل عدة القياس. عند إيقاف فعالية آلية الإطفاء تومض خطوط الليزر بعد 3 ثوانٍ لوهلة قصيرة.

### لا تترك عدة القياس قيد التشغيل دون مراقبة

واطئ عدة القياس بعد استعمالها. قد يتم إعماء بصراً أشخاص آخرين بشعاع الليزر.

لتفعيل الإطفاء الأوتوماتيكي قم بإطفاء عدة القياس وأعد تشغيلها (دون أن يكون الزر مضغوطة).

### طرق التشغيل (تراجع الصور B-D)

يمكن إيقاف التشغيل الرأسي والأفقي بشكل مستقل عن بعضهما البعض. جميع طرق التشغيل متاحة مع آلية ضبط الاستواء أو دونها.

### التشغيل الأفقي

بعد التشغيل توجد عدة القياس في طريقة التشغيل الأفقي حيث ترسل خط ليزر أفقي.

إطفاء خط الليزر الأفقي أو تشغيله اضغط على زر التشغيل الأفقي 19.

### التشغيل الرأسي ونقطة التعامد

يوجد بعدة قياس عدة طرق تشغيل رأسية:

- خط ليزر رأسي إلى الأمام
- خط ليزر رأسي إلى الأمام وإلى الجانب الأيسر
- خط ليزر رأسي إلى الأمام وإلى الخلف
- خطوط ليزر رأسية إلى كل الجوانب

بالإضافة لذلك تظهر نقطة تعامد إلى أسفل في كافة طرق التشغيل الرأسي.

لتشغيل وإطفاء التشغيل الرأسي أو تغيير طريقة التشغيل الرأسي كسر الضغط على زر التشغيل الرأسي 18 إلى أن يتم الوصول إلى طريقة التشغيل المرغوبة.

إذا كانت عدة القياس مركبة على المنصة الدوارة 12 يمكنك محاذاة خطوط الليزر الرأسية باستخدام لولب الضبط الدقيق 11 على النقاط المرجعية بالضبط.

### وظيفة النبض

عند العمل بواسطة مستقبل الليزر 25 يجب - وبغض النظر عن نوع التشغيل الذي تم اختياره - أن يتم تشغيل وظيفة النبض.

تخفق خطوط الليزر بتردد عال جداً بوظيفة النبض، مما يسمح لمستقبل الليزر 25 من العثور عليها.

لتشغيل طريقة النبض اضغط على الزر 17. عندما تكون وظيفة النبض مشغلة يضيء المبين 15 باللون الأحمر.

تقل إمكانية رؤية خطوط الليزر بواسطة العين البشرية عند تشغيل وظيفة النبض. لذلك تطفأ وظيفة النبض عند العمل دون مستقبل الليزر من خلال إعادة الضغط على الزر 17. يطفأ المؤشر 15 عند إطفاء وظيفة النبض.



## التركيب

### تركيب/استبدال البطاريات

يُنصح باستخدام بطاريات المنغنيز القلوي لتشغيل عدة القياس.

من أجل فتح غطاء حجرة البطاريات 3 يضغط على قفل التثبيت 2 وينزع غطاء حجرة البطاريات. ركب البطاريات. انتبه أثناء ذلك إلى وصل الأقطاب بالشكل الصحيح حسب الصورة في الجانب الداخلي بحجرة البطاريات.

في حالة وميض تمذير البطارية 16 يجب تغيير البطاريات. استبدل دائما جميع البطاريات في آن واحد. استخدم فقط بطاريات من نفس المنتج ونفس السعة.

◀ **انزع البطاريات عن عدة القياس عند عدم استعمالها لفترة طويلة.** قد تتآكل البطاريات عند تخزينها لفترة طويلة فتقوم بتفريغ نفسها.

### استخدام المنصة الدوارة (تراجع الصورة A)

ضع عدة القياس على مثبت جهاز المنصة الدوارة 12، بحيث تدخل حوز التثبيت 13 الخاصة بالمنصة الدوارة بين المزوز المعنية 6 على الجانب السفلي لعدة القياس. أدر عدة القياس في اتجاه حركة عقارب الساعة لتثبيتها بإحكام على المنصة الدوارة.

قم بفتح سيقان المنصة الدوارة باستخدام لولاب ضبط الارتفاع 10. قم بمحاذاة المنصة الدوارة بشكل تقريبي باستخدام الميزان 8.

## التشغيل

### بدء التشغيل

◀ **احم عدة القياس من الرطوبة ومن أشعة الشمس المباشرة.**

◀ **لا تعرض عدة القياس لدرجات الحرارة القصوى أو للتقلبات الحرارية.** لا تتركها في السيارة لفترة طويلة مثلا. اسمع لعدة القياس أن تتوصل إلى درجة حرارة معتدلة قبل تشغيلها عند توفر التقلبات الشديدة بدرجات الحرارة. قد تخل درجات الحرارة القصوى أو التقلبات الشديدة بدرجات الحرارة بدقة عدة القياس.

◀ **تجنب الصدمات الشديدة بعدة القياس أو سقوطها على الأرض.** ينبغي تفحص دقة عدة القياس قبل متابعة تشغيلها بعد تأثير العوامل الخارجية الشديدة عليها (تراجع "دقة التسوية").

◀ **اطفئ عدة القياس عندما تقوم بنقلها.** يتم إقفال وحدة التراجع عند الإطفاء، فقد تتلف من خلال الحركات الشديدة.

### التشغيل والإطفاء

لغرض تشغيل عدة القياس حرك مفتاح التشغيل والإطفاء 7 إلى الوضع "On" (للعمل دون آلية التسوية) أو إلى الوضع "On" (للعمل مع آلية التسوية). يضيء بيان التشغيل 16 وتقوم عدة القياس على الفور بإرسال خط ليزر أقمي من فتحة الخروج الأمامية 1.

◀ **لا توجه شعاع الليزر على الأشخاص أو الحيوانات ولا توجه أنت نظرك إلى شعاع الليزر، ولا حتى عن بعد كبير.**

لغرض إطفاء عدة القياس حرك مفتاح التشغيل والإطفاء 7 إلى الوضع "Off" (إيقاف). ينطفئ مبدن التشغيل 16. عند الإطفاء يتم تأمين قفل وحدة التراجع.

## البيانات الفنية

ليزر خطي		GLL 5-50 X
رقم الصنف		3 601 K63 N..
نطاق العمل <sup>(1)</sup>		
- خطوط الليزر القياسية	15 متر	
- مع وظيفة النبض	10 متر	
- مع مستقبل الليزر	50-5 متر	
- نقطة التعامد	5 متر	
دقة ضبط استواء خطوط الليزر نمطي <sup>(2)</sup>	0,2 ± مم/متر	
مجال التسوية الذاتية النموذجية	± 3 °	
مدة التسوية النموذجية	4 > ثا	
درجة حرارة التشغيل	-10 ... +45 °C	
درجة حرارة التخزين	-20 ... +70 °C	
الرطوبة الجوية النسبية القصوى	90 %	
درجة الليزر	2	
طراز الليزر	650-630 نانومتر 1 > ميغواط	
C <sub>6</sub>	1	
مدة أقصر نبضة	1,25 ms	
حاظن الحامل ثلاثي القوائم <sup>(3)</sup>	5/8	
بطاريات	1,5 x 4 فولط (AA)	LR6
مدة التشغيل حوالي		
- مع خط ليزر واحد	24 ساعة	
- مع خطي ليزر	14 ساعة	
- مع ثلاثة خطوط ليزر	10 ساعة	
- مع خمسة خطوط ليزر	6 ساعة	
الوزن حسب EPTA-Procedure 01:2014	0,54 كغ	
الأبعاد (الطول x العرض x الارتفاع)		
- دون منصة دوارة	129 x 83 x 122 مم	
- مع منصة دوارة	203 x 151 Ø مم	
فئة الوقاية (عدا حجرة البطاريات)	IP 54*	

(1) قد يقل مجال العمل من خلال شروط الأجواء الغير ملائمة (مثلا: التعرض لأشعة الشمس المباشرة).  
(2) من المصنع  
(3) متاج فقط بالاترابط بالمنصة الدوارة  
\* مقاوم للغبار والرذاذ  
لتميز عدة القياس بوضوح، يرجع إلى الرقم المتسلسل 4 على لافتة الطراز.

## عربي

## تعليمات الأمان



يجب قراءة ومراعاة جميع الإرشادات للعمل بعدة القياس بأمان وبلا مخاطرات. في حالة استخدام عدة القياس بشكل يخالف الإرشادات الواردة فقد يؤثر ذلك سلباً على إجراءات الحماية في عدة القياس. لا تلتف اللافتات التحذيرية الموجودة على عدة القياس أبداً. احتفظ بهذه التعليمات بحالة جيدة، واحرص على إرفاقها بعدة القياس في حالة إعطائها لشخص آخر.

- ▶ **احترس -** إن استخدمت تجهيزات تحكم أو ضبط غير التي تم ذكرها هنا أو إن تم تطبيق أساليب عمل أخرى، فقد يؤدي ذلك إلى تعرّض إشعاعي خطير.
- ▶ **يتم تسليم عدة القياس مع لافتة تحذيرية (تم الإشارة إليها بصورة عدة القياس على صفحة الرسوم التخطيطية بالرقم 5).**



- ▶ **إن لم يكن النص على اللافتة التحذيرية بلغة بلدك، فالصق عليه اللاصقة المرفقة بلغة بلدك قبل الاستخدام للمرة الأولى.**



- ▶ **لا توجه شعاع الليزر على الأشخاص أو الحيوانات ولا توجه نظرك إلى شعاع الليزر المباشر أو المنعكس. حيث يتسبب ذلك في إبهار الأشخاص أو في وقوع حوادث أو حدوث أضرار بالعينين.**
- ▶ **في حالة سقوط أشعة الليزر على العين، فقم بغلقها على الفور، وأبعد رأسك عن شعاع الليزر.**
- ▶ **لا تقم بإجراء تغييرات على جهاز الليزر.**
- ▶ **لا تستخدم نظارات رؤية الليزر كنظارات واقية. غرض نظارات رؤية الليزر هو تمسين إمكانية رؤية شعاع الليزر ولكنها لا تحمي من إشعاعات الليزر.**
- ▶ **لا تستخدم نظارات رؤية الليزر كنظارات شمسية أو في نظام المرور. لا تؤمن نظارات رؤية الليزر ووقاية كاملة من الأشعة فوق بنفسجية وهي تخفض إمكانية التعرف على الألوان.**
- ▶ **اسم بصليح عدة القياس من قبل العمال المؤهلين والمتخصصين وباستعمال قطع الغيار الأصلية فقط. يؤمن ذلك المحافظة على أمان عدة القياس.**
- ▶ **لا تسمح للأطفال باستخدام عدة قياس الليزر دون مراقبة. قد يقوموا بإعطاء بصر الآخرين بشكل غير مقصود.**
- ▶ **لا تشتغل بواسطة عدة القياس في محيط معرض لخطر الانفجار الذي تتوفر به السوائل أو الغازات أو الأغبرة القابلة للاحتراق. قد يُنتج الشرر في عدة القياس، فيشعل هذه الأغبرة أو الأبخرة.**



لا تقم بتقريب عدة القياس ومستقبل الليزر 25 من أجهزة تنظيم ضربات القلب. يتسبب وجود مغناطيس داخل عدة القياس بالإضافة للوح المغناطيسي 24 بمستقبل الليزر في نشوء مجال قد يؤثر سلباً على وظيفة أجهزة تنظيم ضربات القلب.

- ▶ **أبعد عدة القياس ومستقبل الليزر 25 عن وسائط البيانات المغناطيسية والأجهزة الحساسة للمغناطيس. فمن خلال تأثير المغناطيسات يمكن أن يحدث فقدان للبيانات بحيث يتعذر استعادتها.**

## وصف المنتج والأداء

## الاستعمال المخصص

عدة القياس مخصصة لمهام التسوية باستخدام الخطوط الأفقية والخطوط الرأسية بالإضافة لنقطة تعامد.

## الأجزاء المصورة

يستند ترقيم الأجزاء المصورة إلى رسوم عدة القياس الموجودة على صفحة الرسوم التخطيطية.

- 1 مخرج إشعاع الليزر
  - 2 تثبيت غطاء حجرة البطاريات
  - 3 غطاء حجرة البطاريات
  - 4 الرقم المتسلسل
  - 5 لافتة تحذير الليزر
  - 6 حوزر تثبيت عدة القياس
  - 7 مفتاح التشغيل والإطفاء
  - 8 ميزان المنصة الدوارة
  - 9 حاضن المنصب الثلاثي القوائم 5/8 إنش
  - 10 لولب ضبط ارتفاع المنصة الدوارة
  - 11 لولب الضبط الدقيق للمنصة الدوارة
  - 12 المنصة الدوارة
  - 13 حوزر تثبيت المنصة الدوارة
  - 14 مؤشر العمل بلا آلية تسوية
  - 15 مؤشر وظيفة النبض
  - 16 مبین التشغيل/تحذير البطارية
  - 17 زر وظيفة النبض
  - 18 زر التشغيل الرأسي
  - 19 زر التشغيل الأفقي
  - 20 صفيحة قياس مع قاعدة\*
  - 21 منصب ثلاثي القوائم\*
  - 22 حقيبة وقاية
  - 23 نظارات رؤية الليزر\*
  - 24 الصفيحة المغناطيسية\*
  - 25 مستقبل الليزر\*
  - 26 قضيب متراكب\*
  - 27 الحامل\*
- \* إن التوابع الموصوفة أو الموجودة في الرسم ليست محتواة في إطار التوريد الاعتيادي.



**مثال های عملی (رجوع شود به تصاویر E-B)**  
نمونه هایی در رابطه با امکانات کاربرد ابزار اندازه گیری در صفحه تصاویر قابل مشاهده اند.

## مراقبت و سرویس

### مراقبت، تعمیر و تمیز کردن دستگاه

نگهداری و حمل و نقل ابزار اندازه گیری باید فقط بوسیله کیف محافظ ضمیمه شده انجام بگیرد.

ابزار اندازه گیری را همواره تمیز نگاه دارید.

ابزار اندازه گیری را در آب و یا سایر مایعات غوطه ور نکنید.

برای پاک کردن آلودگی از یک دستمال نرم و مرطوب

استفاده کنید. از کاربرد مواد پاک کننده و یا حلال

خودداری کنید.

بخصوص سطوح حول روزنه خروجی لیزر را بطور مرتب تمیز

کنید و در این رابطه توجه داشته باشید که از دستمال

بدون پُرز استفاده کنید.

به هنگام لزوم تعمیر، ابزار اندازه گیری را در داخل کیف

محافظ 22 قرار داده و ارسال کنید.

### خدمات پس از فروش و مشاوره با مشتریان

دفتر خدمات پس از فروش به سئوالات شما در باره

تعمیرات، سرویس و همچنین قطعات یدکی و متعلقات

پاسخ خواهد داد. تصاویر و اطلاعات در باره قطعات یدکی

و متعلقات را میتوانید در سایت نامبرده زیر جستجو نمایید:

[www.bosch-pt.com](http://www.bosch-pt.com)

تیم مشاور خدمات پس از فروش شرکت بوش با کمال

میل به سئوالات شما در باره خرید، طرز استفاده و تنظیم

محمولات و متعلقات پاسخ میدهد.

برای هرگونه سوال و یا سفارش ابزار یدکی و متعلقات،

حتما شماره فنی ده رقمی کالا را مطابق برجسب روی ابزار

برقی اطلاع دهید.

برای استفاده از گارانتی، تعمیر دستگاه و تهیه ابزار یدکی

فقط به افراد متخصص مراجعه کنید.

### از رده خارج کردن دستگاه

ابزار اندازه گیری، متعلقات و بسته بندی ها باید به طریق

مناسب با حفظ محیط زیست از رده خارج و بازیافت شوند.

ابزار های اندازه گیری و باتریها/باتری های قابل شارژ را

داخل زباله دان خانگی نیندازید!

### فقط برای کشورهای عضو اتحادیه اروپا:

دستگاههای کهنه و غیر قابل استفاده

الکتریکی طبق آئین نامه و دستورالعمل

اروپائی 2012/19/EU و باتریهای خراب یا

فرسوده بر اساس آئین نامه ی اروپایی

2006/66/EC با بستن جداگانه و متناسب با

محیط زیست جمع آوری شوند.



حق هر گونه تعبیری محفوظ است.

- اختلاف **d** مابین نقطه III و مرکز خط لیزر در حاشیه بالائی بازشو ذر، انحراف یا اختلاف واقعی ابزار اندازه گیری نسبت به خط عمودی است.

- ارتفاع بازشو ذر را اندازه گیری کنید.

بیشترین خطای مجاز  $d_{max}$  را می توان اینگونه مناسبه کرد:

$$d_{max} = 2 \text{ mm/m} \times x, \text{ دو برابر ارتفاع ورودی درب}$$

مثال: برای ارتفاع ورودی درب به مقدار 2m، بیشترین

$$d_{max} = 2 \times 2 \text{ m} \times 0,2 \text{ mm/m} = 0,8 \text{ mm}$$

خطای مجاز برابر است با 0,8mm از هم فاصله داشته

باشند.

### راهنمایی های عملی

◀ **برای علامتگذاری، همواره مرکز نقطه لیزر یا مرکز خط**

**لیزر را انتخاب کنید.** با تغییر فاصله و مسافت، اندازه

نقطه لیزر و همچنین پهنای خط لیزر نیز تغییر می یابند.

### عینک مخصوص دید پرتو لیزر (متعلقات)

عینک مخصوص دید پرتو لیزر، نور اطراف را فیلتر می کند.

به این ترتیب نور قرمز لیزر روشنتر دیده می شود.

◀ **از عینک مخصوص دید پرتو لیزر بعنوان عینک ایمنی**

**استفاده نکنید.** عینک مخصوص دید پرتو لیزر برای

تشخیص بهتر پرتو لیزر است ولیکن نمی تواند از چشم

شما در برابر پرتو لیزر محافظت کند.

◀ **از عینک مخصوص دید پرتو لیزر بعنوان عینک آفتابی**

**و یا هنگام رانندگی استفاده نکنید.** عینک مخصوص

دید پرتو لیزر محافظت و ایمنی کامل را در برابر

تشعشعات ماورای بنفش ارائه نمی دهد و قدرت درجه

تشخیص رنگ را نیز کاهش می دهد.

### نحوه کار با دریافت کننده (دیکتور) لیزر (متعلقات)

تحت شرایط نامساعد نوری (محیط خیلی روشن، تابش

مستقیم نور خورشید) و در فواصل زیاد، برای پیدا کردن

بهتر خطوط لیزر از دریافت کننده لیزر 25 استفاده کنید.

در کار با دریافت کننده لیزر، عملکرد ضربان را روشن کنید

(رجوع شود به مبحث «عملکرد ضربان (تپش)»، صفحه 77).

### نحوه کار با سه پایه (متعلقات)

(رجوع شود به تصویر E)

سه پایه، یک کف ثابت با قابلیت تنظیم ارتفاع جهت اندازه

گیری عرضه می کند. ابزار اندازه گیری را روی صفحه ی

چرخان 12 قرار دهید. صفحه چرخان را با "5/8گیرنده سه

پایه 9 روی زروه سه پایه 21 یا یک سه پایه معمولی قرار

دهید. صفحه چرخان را با پیچ تنظیم سه پایه سفت کنید.

### نحوه کار با صفحه اندازه گیری (متعلقات)

(رجوع شود به تصاویر F-G)

به کمک صفحه اندازه گیری 20 می توانید علامت گذاری

لیزری را روی کف (زمین) و نیز ارتفاع لیزر را روی دیوار

منتقل کنید.

به کمک منطقه صفر و درجه بندی مقیاس می توانید

اختلاف یا جابجایی در ارتفاع دلخواه را اندازه گیری کنید

و آنرا به یک محل دیگر منتقل کنید. به این ترتیب تنظیم

دقیق ابزار اندازه گیری در ارتفاعی که باید انتقال انجام

بگیرید، حذف می شود.

صفحه اندازه گیری 20 مجهز به یک روکش بازتابنده است

که قابل رؤیت بودن پرتو لیزر را در فواصل زیاد و همچنین

تحت تابش شدید نور خورشید بهبود می بخشد. این تقویت

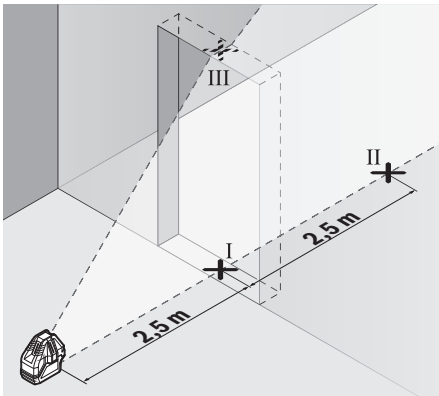
و بهبود روشنائی منحصرأ زمانی قابل تشخیص است که به

موازات پرتو لیزر، به صفحه اندازه گیری نگاه بکنید.

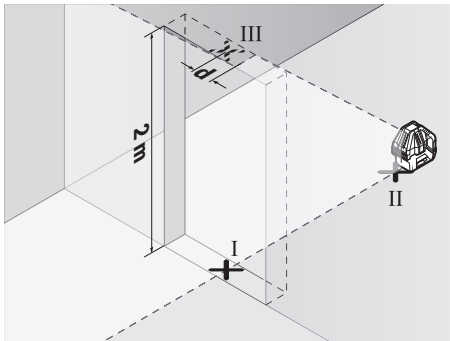
حداکثر میزان اختلاف مجاز  $d_{max}$  به شرح زیر محاسبه می شود:  
 $d_{max} = 0,2 \text{ mm/m} \times 2$  دو برابر فاصله دیوارها  
 بطور مثال: در فاصله مابین دو دیوار به اندازه 5 m متر،  
 $d_{max} = 2 \times 5 \text{ m} \times 0,2 \text{ mm/m} = 2 \text{ mm}$  حداکثر میزان اختلاف مجاز می تواند معادل  
 گذاری ها می توانند حداکثر 2 mm میلیمتر و نه بیش از آن،  
 از هم فاصله داشته باشند.

#### نحوه کنترل دقت تراز خطوط عمودی

برای کنترل به یک بازشو در (بر روی یک سطح مستحکم) که در هر طرف آن حداقل 2,5 متر فضای آزاد باشد نیاز است.  
 - ابزار اندازه گیری را در 2,5 متری ورودی درب روی یک سطح صاف و ثابت (نه روی صفحه چرخان یا یک سه پایه) قرار دهید. ابزار اندازه گیری را در عملکرد ترازشوندگی اتوماتیک روشن کنید. عملکرد عمودی را با تمام خطوط لیزر عمودی روشن کنید و خط لیزر عمودی جلویی را به سمت ورودی درب بگردانید. بگذارید ابزار اندازه گیری تنظیم شود.



- نقطه مرکز خط لیزر عمودی را بر روی زمین (کف) بازشو در علامتگذاری کنید (نقطه I)، در فاصله 5 متری از طرف دیگر برش در (نقطه II) را و همچنین در حاشیه بالای بازشو در (نقطه III) را علامتگذاری کنید.

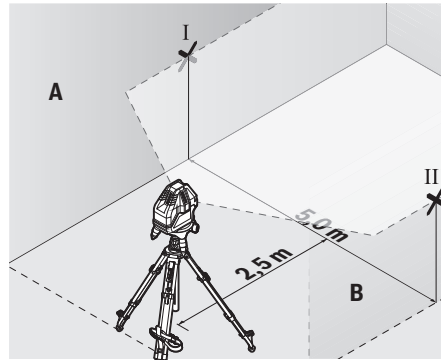


- ابزار اندازه گیری را در طرف دیگر بازشو در مستقیماً در پشت نقطه II قرار دهید. بگذارید ابزار اندازه گیری تراز بشود و خط لیزر عمودی را طوری تنظیم کنید که مرکز آن دقیقاً از میان نقاط I و II عبور کند.

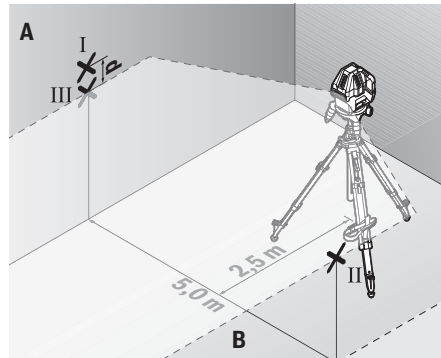
#### نحوه کنترل دقت تراز خط افقی

برای کنترل به یک مسافت اندازه گیری معادل 5 x 5 متر نیاز است.

- ابزار اندازه گیری را در وسط دیوار A و B روی صفحه چرخان یا سه پایه و با روی یک سطح صاف و ثابت قرار دهید. ابزار اندازه گیری را در عملکرد ترازشوندگی اتوماتیک روشن کنید. عملکرد افقی را روشن کنید و بگذارید ابزار اندازه گیری تراز شود.

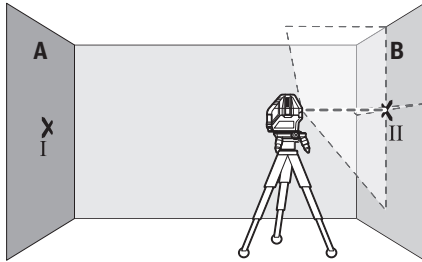


- در فاصله 2,5 متر از ابزار اندازه گیری، نقاط مرکز خطوط لیزر را بر روی دو دیوار علامتگذاری کنید (نقطه I بر روی دیوار A و نقطه II بر روی دیوار B).

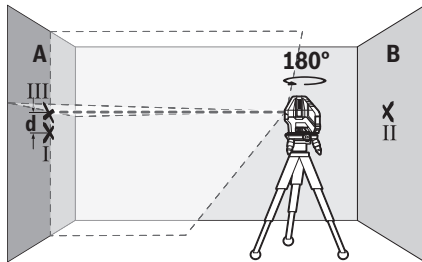


- سپس ابزار اندازه گیری را  $180^\circ$  درجه بچرخانید و آنرا در فاصله 5 m متری قرار دهید و بگذارید ابزار اندازه گیری تراز بشود.  
 - ارتفاع ابزار اندازه گیری را طوری تنظیم کنید (بوسیله سه پایه و یا در صورت لزوم با قرار آن بر روی یک شیئ) که نقطه مرکز خط لیزر دقیقاً بر روی نقطه II موجود بر روی دیوار B که پیشاپیش علامت گذاری شده است، قرار بگیرد.  
 - بر روی دیوار A مرکز خط لیزر را بعنوان نقطه III (بطور عمود به نقطه I در بالای و یا پائین آن) علامتگذاری کنید.  
 - اختلاف  $d$  مابین دو نقطه I و III علامتگذاری شده روی دیوار A، انحراف یا اختلاف واقعی ابزار اندازه گیری نسبت به خط افقی است.

- ابزار اندازه گیری را بدون چرخاندن آن، نزدیک به دیوار B قرار دهید، آنرا روشن کنید و بگذارید تراز بشود.



- ارتفاع ابزار اندازه گیری را طوری تنظیم کنید (بوسیله سه پایه و یا در صورت لزوم با قرار آن بر روی یک شیئ) که نقطه محل تقاطع خطوط لیزر دقیقاً بر روی نقطه II موجود بر روی دیوار B که پیشاپیش علامت گذاری شده است، قرار بگیرد.



- ابزار اندازه گیری را بدون اینکه تغییری در ارتفاع آن بدهید، 180° درجه بچرخانید. آنرا طوری به طرف دیوار A تنظیم کنید که خط عمودی لیزر از مرکز نقطه علامت گذاری شده I عبور کند. بگذارید ابزار اندازه گیری تراز بشود و نقطه محل تقاطع خطوط لیزر را بر روی دیوار A علامتگذاری کنید (نقطه III).
- اختلاف d مابین دو نقطه I و III علامتگذاری شده روی دیوار A، انحراف یا خطای واقعی ابزار اندازه گیری در ارتفاع اندازه گیری شده است.

حداکثر میزان اختلاف مجاز  $d_{max}$  به شرح زیر محاسبه می شود:

$d_{max} = 0,2 \text{ mm/m} \times x$  دو برابر فاصله دیوارها  
 بطور مثال: در فاصله مابین دو دیوار به اندازه 5m متر، حداکثر میزان اختلاف مجاز می تواند معادل  
 $d_{max} = 2 \times 5 \text{ m} \times 0,2 \text{ mm/m} = 2 \text{ mm}$  باشد. در نتیجه علامت گذاری ها می توانند حداکثر 2mm میلیمتر و نه بیش از آن، از هم فاصله داشته باشند.

## دقت تراز کردن

### عوامل تاثیر گذارنده در دقت عمل

بیشترین تاثیر را دمای محیط کار دارد. بخصوص اختلافات و تفاوت دما در سیر جریان دما از سطح پائین (کف) به بالا می توانند پرتو لیزر را منحرف کنند.

از آنجا که طبقه بندی دما در نزدیکی زمین بیشترین مقدار است، بایستی ابزار اندازه گیری را در صورت امکان روی یک سه پایه 21 نصب کنید و آن را در وسط سطح کار قرار دهید.

در کنار تأثیرات بیرونی، تأثیرات مربوط به دستگاه (مانند افتادن، یا تکانهای شدید) می توانند باعث بروز خطا شوند. به همین منظور قبل از هر شروع کار، دقت تراز را کنترل کنید.

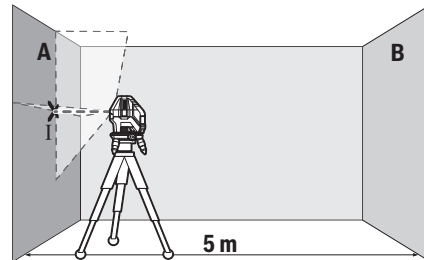
همواره در ابتدا ارتفاع و دقت تراز خط لیزر افقی و بعد دقت تراز خط لیزر عمودی را کنترل کنید.

چنانچه میزان خطای ابزار اندازه گیری در طی یکی از آزمایش ها از حداکثر میزان خطا (اختلاف) فراتر رود، آنگاه باید ابزار اندازه گیری را توسط خدمات پس از فروش بوش تعمیر کنید.

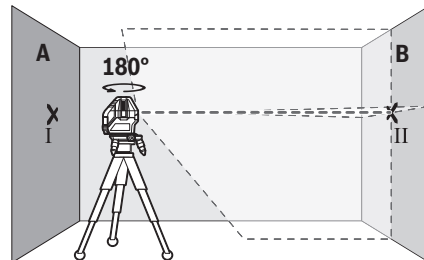
### نحوه کنترل دقت ارتفاع خط افقی

برای کنترل به یک مسافت اندازه گیری معادل 5 متر با سطح اتکاء (زمینه) ثابت و محکم مابین دو دیوار A و B نیاز دارید.

- ابزار اندازه گیری را نزدیک دیوار A روی صفحه چرخان یا روی یک سه پایه نصب کنید یا آن را روی یک سطح صاف و محکم قرار دهید. ابزار اندازه گیری را در عملکرد ترازشوندگی اتوماتیک روشن کنید. عملکرد افقی و یک نوع عملکرد عمودی دلخواه را روشن کنید.



- لیزر را به طرف و در نزدیکی دیوار A تنظیم کنید و بگذارید ابزار اندازه گیری تراز بشود. نقطه مرکز محل تقاطع خطوط لیزر را بر روی دیوار علامتگذاری کنید (نقطه I).



- ابزار اندازه گیری را 180° درجه بچرخانید و بگذارید تراز بشود و نقطه مرکز محل تقاطع خطوط لیزر را بر روی دیوار مقابل یعنی دیوار B علامتگذاری کنید (نقطه II).

در صورت نصب بودن ابزار اندازه گیری روی صفحه پایه 12 می توان خطوط لیزر عمودی را توسط پیچ تنظیم دقیق 11 درست روی نقاط مرجع بالانس کرد.

#### عملکرد ضربان (تپش)

برای کار با دریافت کننده (گیرنده) لیزر 25، باید عملکرد ضربان روشن بشود و این امر بستگی به نوع عملکرد انتقاب شده ندارد.

در عملکرد ضربان، خطوط لیزر با فرکانس بسیار بالا بطور چشمک زن ظاهر می شوند و از این طریق برای دریافت کننده لیزر 25 قابل یافتن می شوند.

جهت روشن کردن حالت مجموع، دکمه 17 را فشار دهید. در صورت روشن بودن حالت مجموع، نمایشگر 15 قرمز می شود.

خطوط لیزر در صورت روشن بودن عملکرد ضربان برای چشم انسان کمتر قابل مشاهده است. از اینرو به هنگام کار بدون دریافت کننده لیزر، عملکرد ضربان را از طریق فشار دادن مجدد دکمه 17 خاموش کنید. در صورت خاموش بودن عملکرد ضربان، چراغ نشانگر 15 خاموش می شود.

#### تراز اتوماتیک

##### نحوه کار با تراز اتوماتیک

ابزار اندازه گیری را روی کف محکم و افقی قرار دهید یا آن را روی صفحه پایه 12 متصل کنید.

جهت کار با تراز اتوماتیک، کلید قطع و وصل 7 را به حالت «On» برانید.

تراز اتوماتیک ناهمواری ها را در محدوده ترازشوندگی خودکار  $\pm 3^\circ$  درجه بطور اتوماتیک تراز می کند. چنانچه پرتو خطوط لیزر از حرکت باز ایستد، آنگاه تراز شدن ابزار به پایان رسیده است.

چنانچه تراز اتوماتیک ممکن نیست، مثلاً به علت عدم تطابق کف ابزار اندازه گیری به مقدار  $3^\circ$  با سطح افقی، خطوط لیزر با فاصله ی زیاد از هم چشمک می زنند.

ابزار اندازه گیری را به طور افقی قرار دهید و تا تراز شدن اتوماتیک صبر کنید. به محض اینکه ابزار اندازه گیری در محدوده ی خود ترازشوندگی به مقدار  $3^\circ \pm$  قرار گرفت، خطوط لیزر دوباره به صورت ممتد روشن می شوند.

در صورت تکان خوردن یا جابجایی هنگام کار، ابزار اندازه گیری به طور اتوماتیک دوباره تراز می شود. برای جلوگیری از بروز خطا، پس از هر بار ترازشوندگی حالت خطوط لیزر را نسبت به نقاط مرجع کنترل کنید.

##### نحوه کار بدون تراز اتوماتیک

جهت کار بدون تراز اتوماتیک، کلید قطع و وصل 7 را به حالت «On» برانید. در صورت خاموش بودن تراز اتوماتیک، نمایشگر 14 به رنگ قرمز روشن می شود و خطوط لیزر به طور ممتد با فاصله کم چشمک می زنند.

چنانچه تراز اتوماتیک خاموش باشد، می توانید ابزار اندازه گیری را بطور آزاد در دست بگیرید و یا آنرا بر روی یک سطح مناسب مستقر کنید. خطوط لیزر لزوماً بطور عمود نسبت به یکدیگر قرار ندارند.

#### نحوه روشن و خاموش کردن

جهت روشن کردن ابزار اندازه گیری، کلید قطع و وصل 7 را به حالت «On» (برای کارهای بدون تراز اتوماتیک) یا در حالت «On» (برای کارهای با تراز اتوماتیک) قرار دهید. نمایشگر عملکرد 16 روشن می شود و ابزار اندازه گیری فوراً یک خط لیزر از سوراخ خروجی جلویی 1 به بیرون ارسال می کند.

جهت پرتو لیزر را به طرف اشخاص و یا حیوانات نگیرید و خودتان هم مستقیماً به پرتو لیزر نگاه نکنید، حتی از فاصله دور.

جهت خاموش کردن ابزار اندازه گیری، کلید قطع و وصل 7 به حالت «Off» برانید. نمایشگر عملکرد 16 خاموش می شود. هنگام خاموش کردن، واحد پاندولی قفل می شود. چنانچه دمای محیط کار از حداکثر دمای مجاز معادل با  $45^\circ\text{C}$  سانتیگراد فراتر رود، ابزار اندازه گیری از طریق خاموش کننده اتوماتیک ابزار، برای حفاظت از دیوهای لیزر خاموش می شود. پس از خنک شدن، ابزار اندازه گیری مجدداً آماده کار می باشد.

#### نحوه خاموش کردن (غیر فعال ساختن) خاموش کننده اتوماتیک

ابزار اندازه گیری پس از 30 دقیقه کارکرد، به طور اتوماتیک خاموش می شود. جهت غیر فعال نمودن قطع اتوماتیک، هنگام روشن کردن ابزار اندازه گیری، دکمه عملکرد عمودی 18 یا دکمه عملکرد افقی 19 را برای 3 ثانیه فشرده نگهدارید. در صورت غیر فعال بودن قطع اتوماتیک، خطوط لیزر به مدت 3 ثانیه چشمک می زنند.

جهت غیر فعال کردن ابزار اندازه گیری در حالت روشن بودن نظارت در جایی قرار ندهید و پس از استفاده از ابزار اندازه گیری، آنرا خاموش کنید. امکان آسیب دیدن چشم اشخاص دیگر وجود دارد.

جهت فعال نمودن قطع اتوماتیک، ابزار اندازه گیری را خاموش و دوباره روشن کنید (بدون فشرده نگهداشتن دکمه).

#### انواع عملکرد (رجوع شود به تصویر B-D)

عملکرد افقی و عمودی را می توان بدون ملاحظه نسبت به هم خاموش و روشن کرد. تمام عملکردها را می توان هم با و هم بدون تراز اتوماتیک استفاده کرد.

##### عملکرد افقی

پس از روشن کردن، ابزار اندازه گیری در عملکرد افقی است و یک خط لیزر افقی به جلو ارسال می کند.

جهت خاموش و روشن کردن خط لیزر افقی، دکمه عملکرد افقی 19 را فشار دهید.

##### عملکرد عمودی و نقطه شاغولی

ابزار اندازه گیری دارای چندین عملکرد عمودی است:

- خط لیزر عمودی به جلو
  - خط لیزر عمودی به جلو و به طرف چپ
  - خط لیزر عمودی به جلو و عقب
  - خطوط لیزر عمودی به تمام جهت ها
- علاوه بر این عملکردها، یک نقطه شاغول به پایین ارسال می شود.

برای خاموش روشن کردن عملکرد عمودی یا جهت عوض کردن نوع عملکرد، دکمه عملکرد عمودی 18 را آنقدر فشار دهید تا نوع عملکرد دلخواه به دست آید.

## نصب

### نحوه قرار دادن/تعویض باتری

برای کار با ابزار اندازه گیری استفاده از باتری های قلیائی منگنز یا آلکالاین (alkali-manganese) توصیه می شود.

جهت باز کردن درپوش محافظه ی باتری 3 دکمه قفل کننده 2 را فشار دهید و درپوش محافظه باتری را بردارید. باتری ها را را قرار دهید. در حین کار به قطبگذاری صحیح بر اساس علامت مندرج در محافظه ی درونی باتری توجه کنید. چنانچه هشدار باتری 16 چشمک زد بایستی باتریها را عوض کرد.

همواره باتری ها را همزمان تعویض کنید. منحصراً از باتری های ساخت یک سازنده و با ظرفیت های برابر استفاده کنید.

◀ چنانچه برای مدت زمان طولانی از ابزار اندازه گیری استفاده نمی کنید، باتری ها را از داخل دستگاه خارج کنید. باتری ها ممکن است در صورت انبار کردن طولانی مدت دچار فرسودگی و زنگ زدگی شده و خود به خود تخلیه بشوند.

### استفاده از صفحه ی گردان

#### (رجوع شود به تصویر A)

ابزار اندازه گیری را طوری روی نگهدارنده صفحه چرخان قرار دهید 12 که شیارهای اتصال 13 صفحه چرخان بین شیارهای مربوط 6 واقع بر طرف پایینی بازار اندازه گیری جا بیافتند. ابزار اندازه گیری را در جهت عقربه های ساعت بچرخانید تا صفحه چرخان قفل شود.

پایه های صفحه چرخان را توسط پیچهای تنظیم ارتفاع 10 بیرون بکشید. صفحه چرخان را به صورت تقریبی به کمک سنجا فک (مقاب) 8 بالانس کنید.

### نحوه کاربرد دستگاه

#### نحوه کاربرد دستگاه

◀ ابزار اندازه گیری را در برابر رطوبت و تابش مستقیم نور خورشید محفوظ بدارید.

◀ ابزار اندازه گیری را در معرض دمای حاد (گرما و سرما) شدید و همچنین تغییر درجه حرارت شدید قرار ندهید. ابزار اندازه گیری را بطور مثال برای مدت طولانی در داخل خودرو قرار ندهید. در صورت نوسان شدید دما، نخست بگذارید ابزار اندازه گیری خود را با دمای محیط وفق بدهد، پیش از اینکه آنرا مورد استفاده قرار بدهید. دمای حاد (گرما و سرما) شدید و یا نوسان شدید دما می تواند در دقت اندازه گیری تأثیر منفی بگذارد.

◀ از ابزار اندازه گیری در برابر ضربه محافظت کنید و از به زمین افتادن آن جلوگیری بعمل آورید. در صورت ایجاد عوامل تاثیر گذارنده خارجی بر روی ابزار اندازه گیری، بهتر است همواره پیش از ادامه کار، دقت عمل ابزار اندازه گیری را کنترل کنید (رجوع شود به مبحث «دقت تراز کردن»).

◀ همواره ابزار اندازه گیری را به هنگام حمل و نقل آن خاموش کنید. با خاموش کردن ابزار اندازه گیری، واحد اندازه گیری تراز قفل می شود، در غیر اینصورت امکان آسیب دیدگی آن به هنگام حرکت های شدید وجود دارد.

## مشخصات فنی

GIL 5-50 X		لیزر خطی
3 601 K63 N..		شماره فنی
15	m	ممدوده ی کار <sup>(1)</sup>
10	m	- خطوط لیزر استاندارد
5-50	m	- با قابلیت لرزش (نیض)
5	m	- با گیرنده ی لیزر
5	m	- نقطه ی شاقول
±0,2	mm/m	دقت تراز خطوط لیزر معمولاً <sup>(2)</sup>
±3	°	ممدوده تراز شونده ی خودکار (در خصوص این نوع دستگاه)
< 4	s	زمان تراز شدن (در خصوص این نوع دستگاه)
-10 ... +45	°C	دمای کاری
-20 ... +70	°C	دمای نگهداری در انبار
90	%	حداکثر رطوبت نسبی هوا
2		کلاس لیزر
630-650	nm	مشخصات پرتو لیزر
< 1	mW	
1		C <sub>6</sub>
1,25	ms	کوتاهترین مدت ضربان (تپش)
5/8	"	سه پایه <sup>(3)</sup>
4 x 1,5 VLR6 (AA)		باتری ها
24	h	مدت کارکرد حدود
14	h	- با 1 خط لیزر
10	h	- با 2 خط لیزر
6	h	- با 3 خط لیزر
6	h	- با 5 خط لیزر
0,54	kg	وزن مطابق استاندارد EPTA-Procedure 01:2014
122 x 83 x 129	mm	مقیاس (طول x عرض x ارتفاع)
Ø 151 x 203	mm	- بدون صفحه ی چرخان - با صفحه ی چرخان
IP 54*		استاندارد ایمنی (به استثناء محافظه باتری)
(1) ممدوده کاری (اندازه گیری) ممکن است تحت شرایط نامناسب محیطی (از جمله تحت تابش مستقیم نور خورشید) کاهش پیدا کند. (2) از شرکت (3) فقط همراه با صفحه چرخان موجود است * محافظ گرد و غبار و وریاش آب برای مشخص کردن دقیق مدل ابزار اندازه گیری، شماره سری 4 بر روی پرچسب دستگاه (پلاک مدل) درج شده است.		



## فارسی

## راهنمایی های ایمنی



جهت کار کردن بی خطر و ایمن با ابزار اندازه گیری به تمام راهنماییها توجه کنید. در صورتی که ابزار اندازه گیری طبق دستورات زیر بکار برده نشود، ممکن است تجهیزات حفاظتی موجود در ابزار آسیب ببینند. برچسب های هشدار بر روی ابزار برقی را هرگز نپوشانید. این راهنماییها را خوب نگهدارید و آن را هنگام دادن ابزار اندازه گیری فراموش نکنید.

احتیاط - چنانچه دستورالعمل و نحوه بکارگیری دیگری غیر از این دستورالعمل مورد استفاده قرار بگیرد و یا تجهیزات دیگری برای تنظیم و تراز کردن مورد استفاده قرار بگیرد و یا روش کار دیگری به اجرا درآید، خطراتی در رابطه با پرتو لیزر وجود خواهد داشت.

ابزار اندازه گیری با یک برچسب هشدار ارسال می شود (در تصویر ابزار اندازه گیری روی صفحه تا شود با شماره 5 مشخص شده است).



برچسب هشدار را قبل از راه اندازی اولیه با برچسب ارسالی زبان کشور خود جایگزین کنید.

جهت پرتو لیزر نباید به طرف افراد و یا حیوانات باشد و خودتان هم مستقیماً به پرتو لیزر نگاه نکنید. اینگونه ممکن است منجر به خیره شدگی افراد، بروز سانه یا آسیب دیدگی چشم گردد.



در صورت برخورد پرتوی لیزر به چشم، چشمها را فوراً ببندید و سر را از محدوده ی پرتوی لیزر خارج کنید.

هیچ گونه تغییری در تنظیمات لیزر انجام ندهید.

از عینک مخصوص دید پرتو لیزر بعنوان عینک ایمنی استفاده نکنید. عینک مخصوص دید پرتو لیزر برای تشخیص بهتر پرتو لیزر است ولیکن نمی تواند از چشم شما در برابر پرتو لیزر محافظت کند.

از عینک مخصوص دید پرتو لیزر بعنوان عینک آفتابی و یا هنگام رانندگی استفاده نکنید. عینک مخصوص دید پرتو لیزر محافظت و ایمنی کامل را در برابر تشعشعات ماورای بنفش ارائه نمی دهد و قدرت درجه تشخیص رنگ را نیز کاهش می دهد.

تعمیر این ابزار اندازه گیری باید منحصراً توسط افراد متخصص و فقط تحت استفاده از قطعات اصل انجام بگیرد. به این ترتیب ایمنی ابزار اندازه گیری تضمین می شود.

اجازه ندهید که اطفال بدون نظارت ابزار اندازه گیری لیزری را مورد استفاده قرار بدهند. زیرا خطر تابش ناخواسته اشعه به چشم دیگران و آسیب دیدن بینائی آنها وجود دارد.

ابزار اندازه گیری را در محیط و اماکنی که در آن خطر انفجار وجود داشته و یا در آن اماکن، مایعات قابل احتراق، گازها و یا گرد و غبار موجود باشد، مورد استفاده قرار ندهید. امکان تولید جرقه هایی توسط ابزار اندازه گیری وجود دارد که می تواند منجر به اشتعال گرد و غبار و یا بخارهای موجود در هوا بشود.



ابزار اندازه گیری و نگهدارنده 25 را در نزدیکی باتری های قلب نیاورید. بوسیله آهنربای موجود در ابزار اندازه گیری و صفحه آهنربا 24 سطح میدان مغناطیسی ایجاد می شود که می تواند کارکرد باتری قلب را مختل کند.

ابزار اندازه گیری و صفحه چرخان 25 را از دستگاههای حساس به مغناطیس و دستگاههای حاوی اطلاعات دور نگهدارید. از طریق تأثیر آهنربا امکان از بین رفتن اطلاعات به روشهای گوناگون وجود دارد.

## تشریح دستگاه و عملکرد آن

## موارد استفاده از دستگاه

ابزار اندازه گیری جهت انجام تراز به کمک خطوط افقی، عمودی و نیز نقطه شاغول در نظر گرفته شده است.

## اجزاء دستگاه

شماره های اجزاء دستگاه که در تصویر مشاهده میشود، مربوط به شرح ابزار اندازه گیری می باشد که تصویر آن در این دفترچه راهنما آمده است.

- 1 منفذ (دهانه) خروج پرتو لیزر
  - 2 قفل کننده درپوش محفظه باتری
  - 3 درپوش محفظه باتری
  - 4 شماره فنی/شماره سری
  - 5 برچسب هشدار پرتو لیزر
  - 6 شیارهای اتصال ابزار اندازه گیری
  - 7 کلید قطع و وصل
  - 8 سنجا فک (حباب) صفحه چرخان
  - 9 رزوه 8/5 اینچ، محل اتصال سه پایه
  - 10 پیچ تنظیم ارتفاع صفحه چرخان
  - 11 پیچ تنظیم دقیق صفحه چرخان
  - 12 صفحه ی گردان
  - 13 شیارهای اتصال صفحه چرخان
  - 14 نشانگر عملکرد بدون تراز اتوماتیک
  - 15 نشانگر عملکرد ضربان (تپش)
  - 16 نمایشگر عملکرد/هشدار باتری
  - 17 دکمه عملکرد ضربان (تپش)
  - 18 دکمه عملکرد عمودی
  - 19 دکمه عملکرد افقی
  - 20 صفحه اندازه گیری با پایه \*
  - 21 سه پایه \*
  - 22 کیف محافظ حمل دستگاه
  - 23 عینک مخصوص دید پرتو لیزر \*
  - 24 صفحه مغناطیسی \*
  - 25 دریافت کننده (دیکتور) لیزر \*
  - 26 میله تلسکوبی \*
  - 27 گیره یا تجهیزات مهار \*
- \* کلیه متعلقاتی که در تصویر و یا در متن آمده است، بطور معمول همراه دستگاه ارائه نمی شود.