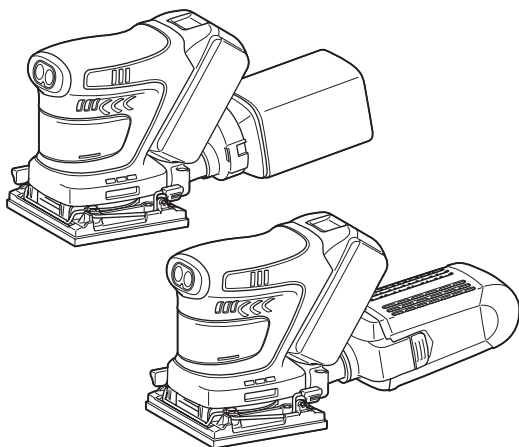




|           |  |                                    |           |
|-----------|--|------------------------------------|-----------|
| <b>EN</b> | Cordless Finishing Sander              | <b>INSTRUCTION MANUAL</b>          | <b>7</b>  |
| <b>SV</b> | Batteridrivnen planslipmaskin          | <b>BRUKSANVISNING</b>              | <b>14</b> |
| <b>NO</b> | Batteridrevet finslipemaskin           | <b>BRUKSANVISNING</b>              | <b>21</b> |
| <b>FI</b> | Akkukäyttöinen viimeistelyhiomakone    | <b>KÄYTTÖOHJE</b>                  | <b>28</b> |
| <b>DA</b> | Akku svingsliber                       | <b>BRUGSANVISNING</b>              | <b>35</b> |
| <b>LV</b> | Bezvada apdares slīpmašīna             | <b>LIETOŠANAS INSTRUKCIJA</b>      | <b>42</b> |
| <b>LT</b> | Belaidis šlifjuotuvos                  | <b>NAUDOJIMO INSTRUKCIJA</b>       | <b>49</b> |
| <b>ET</b> | Juhtmeta taldlihvija                   | <b>KASUTUSJUHEND</b>               | <b>56</b> |
| <b>RU</b> | Аккумуляторная вибрационная шлифмашина | <b>РУКОВОДСТВО ПО ЭКСПЛУАТАЦИИ</b> | <b>63</b> |

**DBO480**  
**DBO481**  
**DBO482**



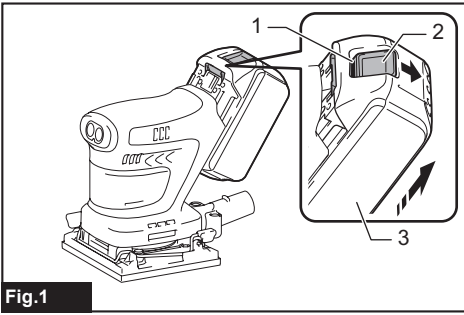


Fig.1

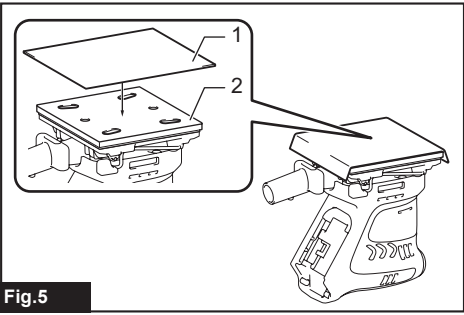


Fig.5



Fig.2

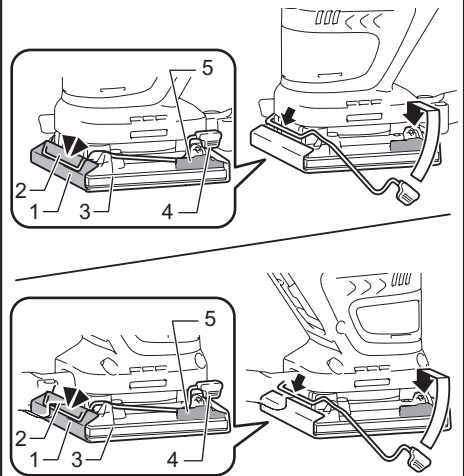


Fig.6

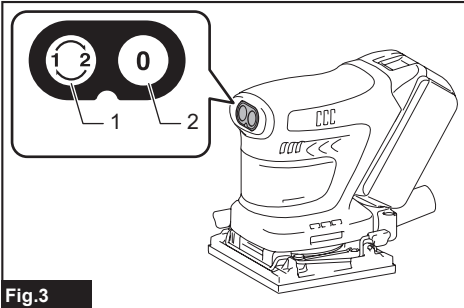


Fig.3

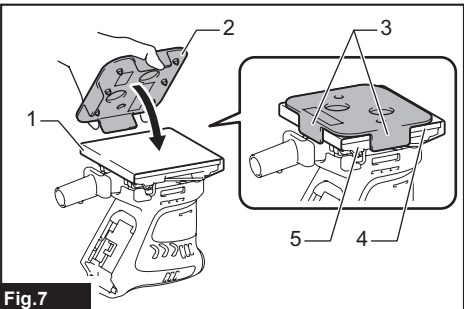


Fig.7

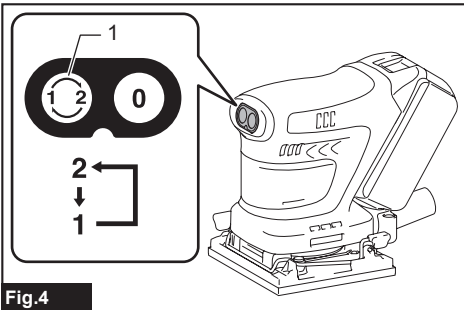


Fig.4

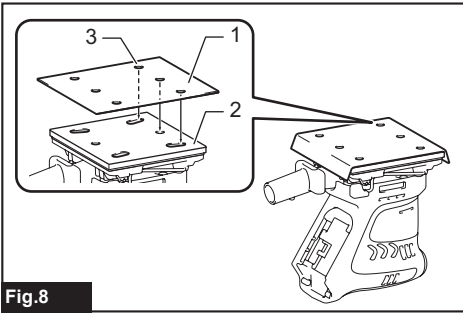


Fig.8

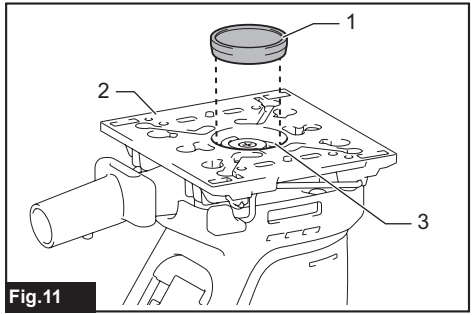


Fig.11

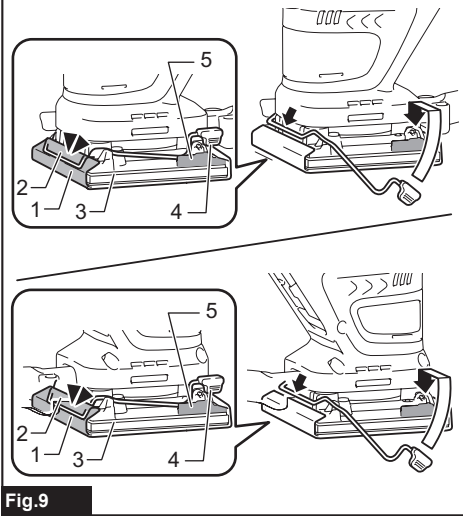


Fig.9

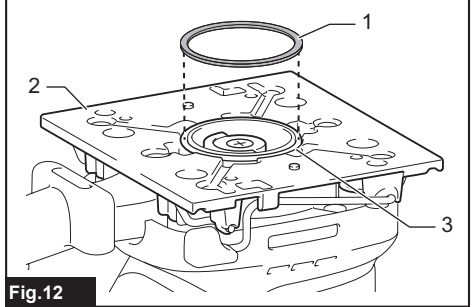


Fig.12

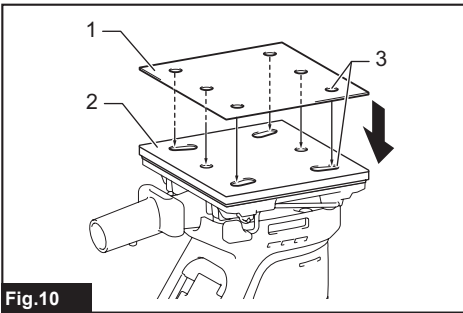


Fig.10

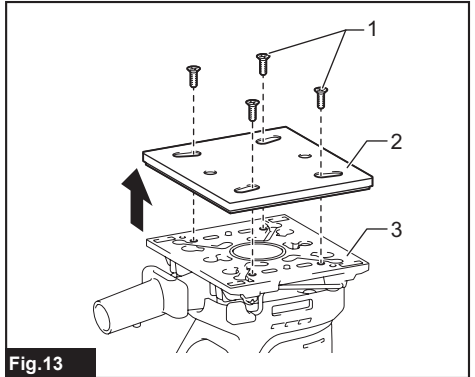


Fig.13

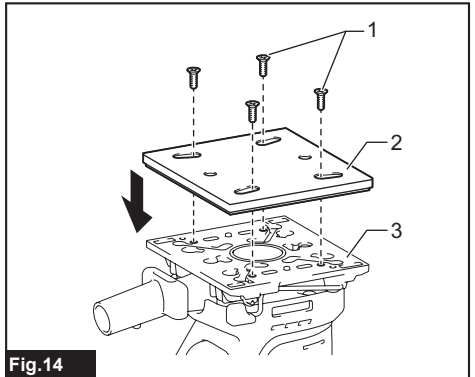
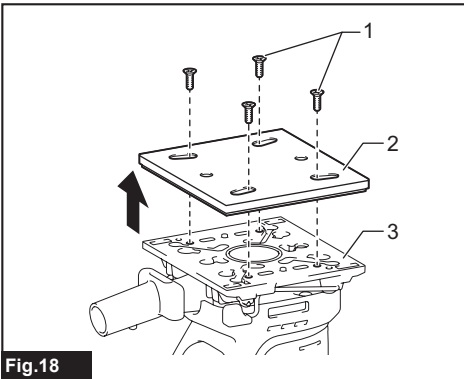
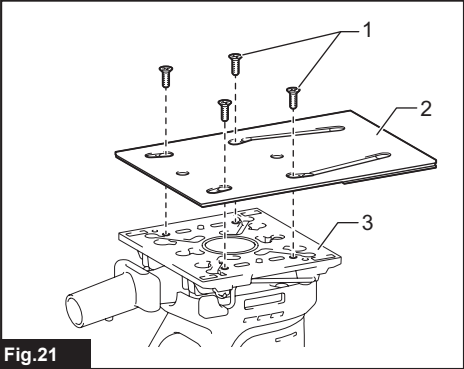
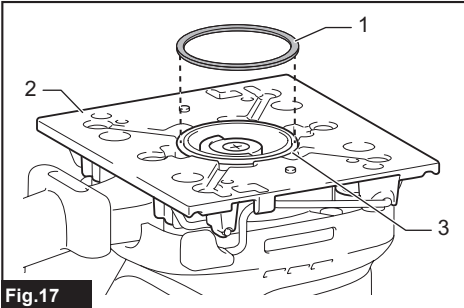
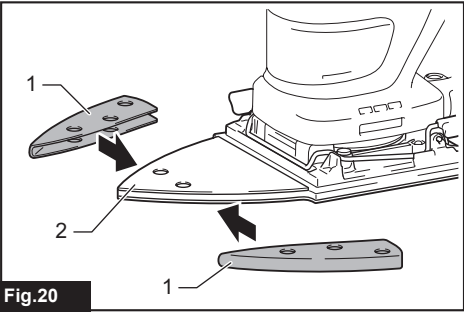
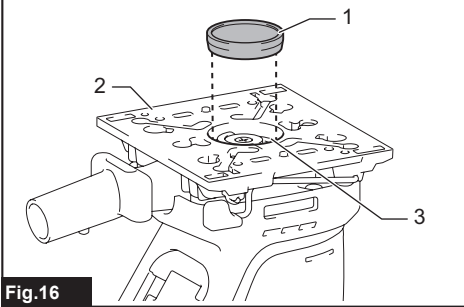
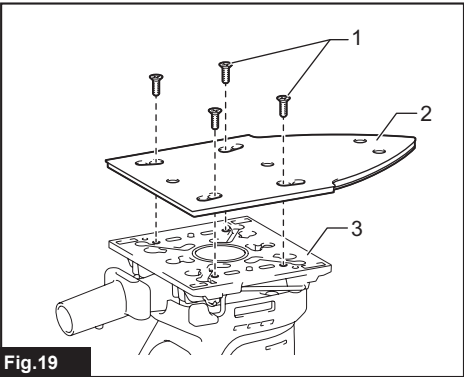
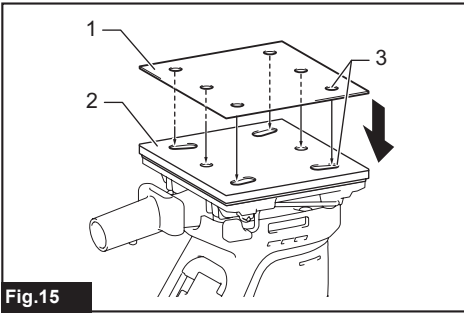


Fig.14



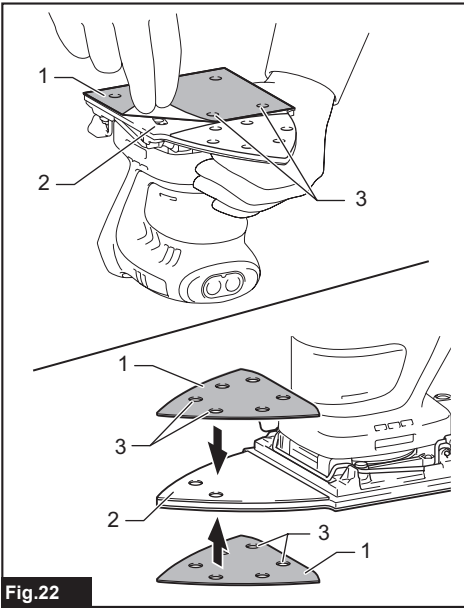


Fig.22

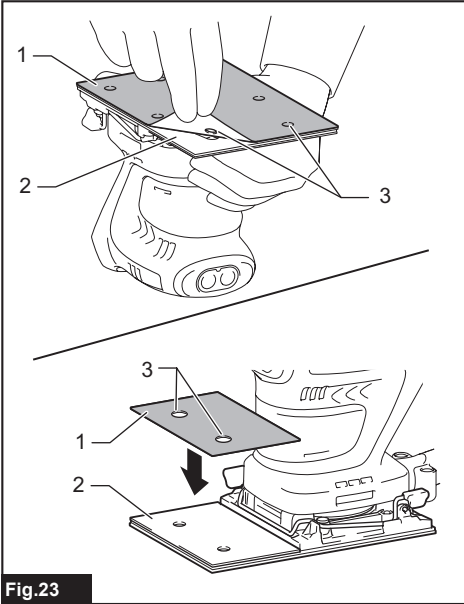


Fig.23

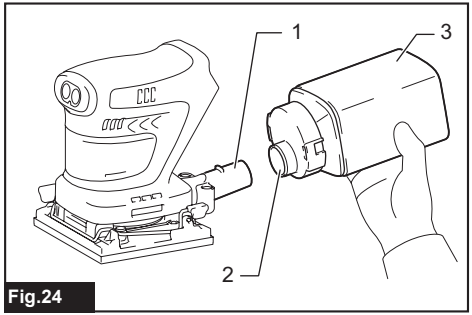


Fig.24

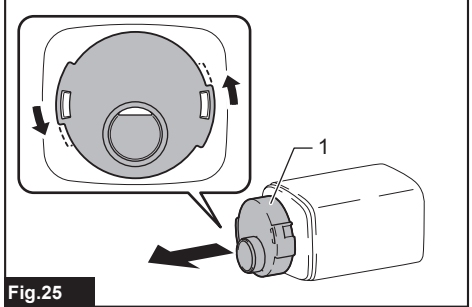


Fig.25

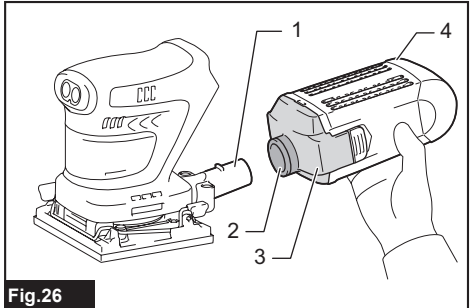


Fig.26

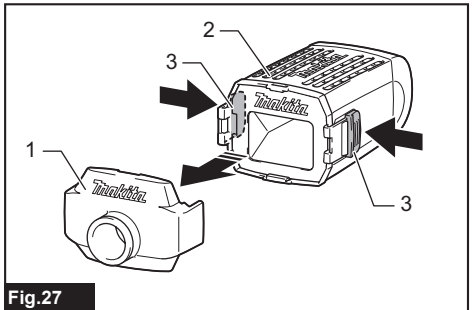


Fig.27

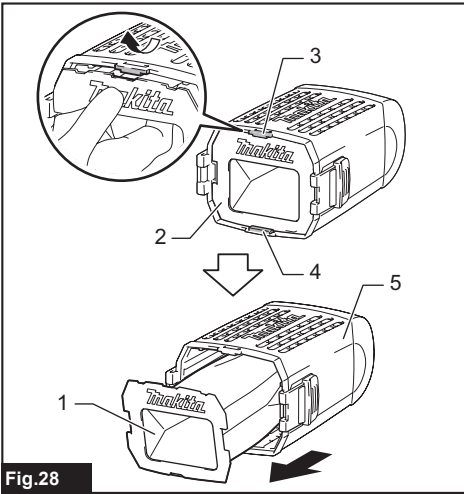


Fig.28

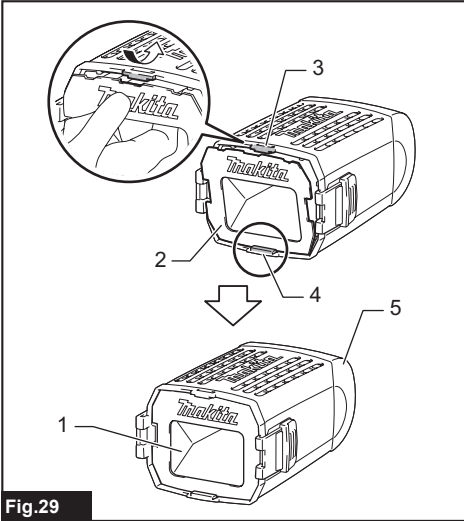


Fig.29

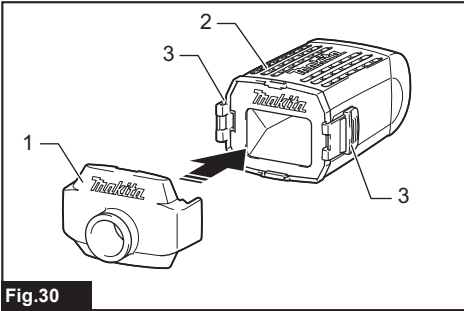


Fig.30

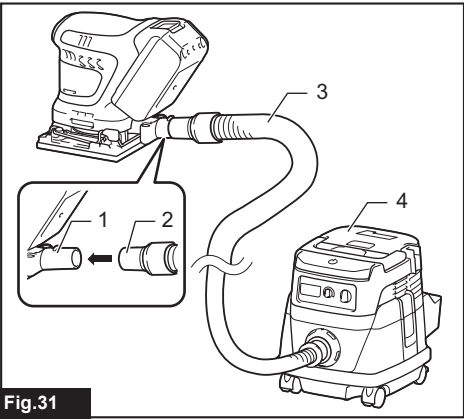


Fig.31

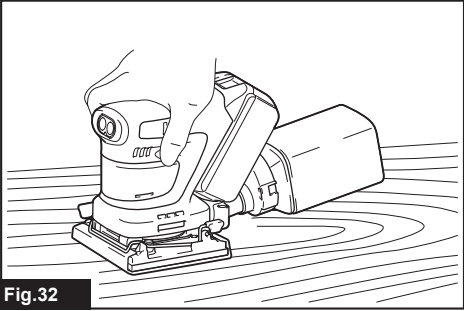


Fig.32

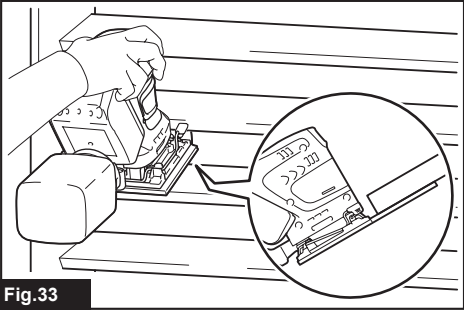


Fig.33

# SPECIFICATIONS

| Model:                        |                                | DBO480  | DBO481 | DBO482       |
|-------------------------------|--------------------------------|---|--------|--------------|
| Pad size                      | Square pad                     | 112 mm x 102 mm   |        |              |
|                               | Triangular pad                 | 112 mm x 190 mm   |        |              |
|                               | Rectangular pad                | 112 mm x 168.5 mm   |        |              |
| Abrasive paper                | For square pad (Hook and loop) | 114 mm x 102 mm   |        |              |
|                               | For square pad (Clamp)         | 114 mm x 140 mm   |        |              |
|                               | For triangular pad             | Rectangular paper: 114 mm x 102 mm<br>Triangular paper: 96 mm |        |              |
|                               | For rectangular pad            | 112 mm x 168.5 mm, 112 mm x 66 mm                             |        |              |
| Orbits per minute             | High                           | 14,000 min <sup>-1</sup>                                      |        |              |
|                               | Low                            | 11,000 min <sup>-1</sup>                                      |        |              |
| Overall length (with BL1860B) |                                | 171 mm  |        |              |
| Rated voltage                 |                                | D.C. 18 V   |        |              |
| Net weight                    |                                | 1.4 - 1.7 kg  |        | 1.4 - 1.8 kg |

- \* The standard pad differs from country to country.
- Due to our continuing program of research and development, the specifications herein are subject to change without notice.
- Specifications and battery cartridge may differ from country to country.
- The weight may differ depending on the attachment(s), including the battery cartridge. The lightest and heaviest combinations, according to EPTA-Procedure 01/2014, are shown in the table.

## Applicable battery cartridge and charger

|                   |  |
|-------------------|--|
| Battery cartridge | BL1815N / BL1820B / BL1830B / BL1840B / BL1850B / BL1860B    |
| Charger           | DC18RC / DC18RD / DC18RE / DC18SD / DC18SE / DC18SF / DC18SH |

- Some of the battery cartridges and chargers listed above may not be available depending on your region of residence.

**⚠ WARNING: Only use the battery cartridges and chargers listed above.** Use of any other battery cartridges and chargers may cause injury and/or fire.

### Intended use

The tool is intended for the sanding of large surface of wood, plastic and metal materials as well as painted surfaces.

### Noise

The typical A-weighted noise level determined according to EN62841-2-4:

#### Model DBO480

Sound pressure level ( $L_{pA}$ ) : 75 dB(A)

Uncertainty (K) : 3 dB(A)

#### Model DBO481

Sound pressure level ( $L_{pA}$ ) : 75 dB(A)

Uncertainty (K) : 3 dB(A)

#### Model DBO482

Sound pressure level ( $L_{pA}$ ) : 75 dB(A)

Uncertainty (K) : 3 dB(A)

The noise level under working may exceed 80 dB (A).

**NOTE:** The declared noise emission value(s) has been measured in accordance with a standard test method and may be used for comparing one tool with another.

**NOTE:** The declared noise emission value(s) may also be used in a preliminary assessment of exposure.

**⚠ WARNING: Wear ear protection.**

**⚠ WARNING:** The noise emission during actual use of the power tool can differ from the declared value(s) depending on the ways in which the tool is used especially what kind of workpiece is processed.

**⚠ WARNING:** Be sure to identify safety measures to protect the operator that are based on an estimation of exposure in the actual conditions of use (taking account of all parts of the operating cycle such as the times when the tool is switched off and when it is running idle in addition to the trigger time).

## Vibration

The vibration total value (tri-axial vector sum) determined according to EN62841-2-4:

### Model DBO480

Work mode: sanding metal plate (square base)

Vibration emission ( $a_{hv}$ ): 2.5 m/s<sup>2</sup> or less

Uncertainty (K): 1.5 m/s<sup>2</sup>

Work mode: sanding metal plate (louver base)

Vibration emission ( $a_{hv}$ ): 4.1 m/s<sup>2</sup>

Uncertainty (K): 1.5 m/s<sup>2</sup>

### Model DBO481

Work mode: sanding metal plate (square base)

Vibration emission ( $a_{hv}$ ): 2.5 m/s<sup>2</sup> or less

Uncertainty (K): 1.5 m/s<sup>2</sup>

### Model DBO482

Work mode: sanding metal plate (square base)

Vibration emission ( $a_{hv}$ ): 3.4 m/s<sup>2</sup>

Uncertainty (K): 1.5 m/s<sup>2</sup>

**NOTE:** The declared vibration total value(s) has been measured in accordance with a standard test method and may be used for comparing one tool with another.

**NOTE:** The declared vibration total value(s) may also be used in a preliminary assessment of exposure.

**⚠ WARNING:** The vibration emission during actual use of the power tool can differ from the declared value(s) depending on the ways in which the tool is used especially what kind of workpiece is processed.

**⚠ WARNING:** Be sure to identify safety measures to protect the operator that are based on an estimation of exposure in the actual conditions of use (taking account of all parts of the operating cycle such as the times when the tool is switched off and when it is running idle in addition to the trigger time).

## EC Declaration of Conformity

### For European countries only

The EC declaration of conformity is included as Annex A to this instruction manual.

## SAFETY WARNINGS

### General power tool safety warnings

**⚠ WARNING:** Read all safety warnings, instructions, illustrations and specifications provided with this power tool. Failure to follow all instructions listed below may result in electric shock, fire and/or serious injury.

### Save all warnings and instructions for future reference.

The term "power tool" in the warnings refers to your mains-operated (corded) power tool or battery-operated (cordless) power tool.

## Sander safety warnings

1. Always use safety glasses or goggles. Ordinary eye or sun glasses are NOT safety glasses.
2. Hold the tool firmly.
3. Do not leave the tool running. Operate the tool only when hand-held.
4. This tool has not been waterproofed, so do not use water on the workpiece surface.
5. Ventilate your work area adequately when you perform sanding operations.
6. Some material contains chemicals which may be toxic. Take caution to prevent dust inhalation and skin contact. Follow material supplier safety data.
7. Use of this tool to sand some products, paints and wood could expose user to dust containing hazardous substances. Use appropriate respiratory protection.
8. Be sure that there are no cracks or breakage on the pad before use. Cracks or breakage may cause a personal injury.
9. Watch your footing and maintain your balance with the tool. Make sure there is no one below when working in high locations.

## SAVE THESE INSTRUCTIONS.

**⚠ WARNING:** DO NOT let comfort or familiarity with product (gained from repeated use) replace strict adherence to safety rules for the subject product. MISUSE or failure to follow the safety rules stated in this instruction manual may cause serious personal injury.

## Important safety instructions for battery cartridge

1. Before using battery cartridge, read all instructions and cautionary markings on (1) battery charger, (2) battery, and (3) product using battery.
2. Do not disassemble or tamper with the battery cartridge. It may result in a fire, excessive heat, or explosion.
3. If operating time has become excessively shorter, stop operating immediately. It may result in a risk of overheating, possible burns and even an explosion.
4. If electrolyte gets into your eyes, rinse them out with clear water and seek medical attention right away. It may result in loss of your eyesight.
5. Do not short the battery cartridge:
  - (1) Do not touch the terminals with any conductive material.
  - (2) Avoid storing battery cartridge in a container with other metal objects such as nails, coins, etc.
  - (3) Do not expose battery cartridge to water or rain.

A battery short can cause a large current flow, overheating, possible burns and even a breakdown.



6. **Do not store and use the tool and battery cartridge in locations where the temperature may reach or exceed 50 °C (122 °F).**
7. **Do not incinerate the battery cartridge even if it is severely damaged or is completely worn out. The battery cartridge can explode in a fire.**
8. **Do not nail, cut, crush, throw, drop the battery cartridge, or hit against a hard object to the battery cartridge.** Such conduct may result in a fire, excessive heat, or explosion.
9. **Do not use a damaged battery.**
10. **The contained lithium-ion batteries are subject to the Dangerous Goods Legislation requirements.**  
For commercial transports e.g. by third parties, forwarding agents, special requirement on packaging and labeling must be observed.  
For preparation of the item being shipped, consulting an expert for hazardous material is required.  
Please also observe possibly more detailed national regulations.  
Tape or mask off open contacts and pack up the battery in such a manner that it cannot move around in the packaging.
11. **When disposing the battery cartridge, remove it from the tool and dispose of it in a safe place. Follow your local regulations relating to disposal of battery.**
12. **Use the batteries only with the products specified by Makita.** Installing the batteries to non-compliant products may result in a fire, excessive heat, explosion, or leak of electrolyte.
13. **If the tool is not used for a long period of time, the battery must be removed from the tool.**
14. **During and after use, the battery cartridge may take on heat which can cause burns or low temperature burns. Pay attention to the handling of hot battery cartridges.**
15. **Do not touch the terminal of the tool immediately after use as it may get hot enough to cause burns.**
16. **Do not allow chips, dust, or soil stuck into the terminals, holes, and grooves of the battery cartridge.** It may cause heating, catching fire, burst and malfunction of the tool or battery cartridge, resulting in burns or personal injury.
17. **Unless the tool supports the use near high-voltage electrical power lines, do not use the battery cartridge near high-voltage electrical power lines.** It may result in a malfunction or breakdown of the tool or battery cartridge.
18. **Keep the battery away from children.**

## SAVE THESE INSTRUCTIONS.

**CAUTION:** Only use genuine Makita batteries. Use of non-genuine Makita batteries, or batteries that have been altered, may result in the battery bursting causing fires, personal injury and damage. It will also void the Makita warranty for the Makita tool and charger.

## Tips for maintaining maximum battery life

1. **Charge the battery cartridge before completely discharged. Always stop tool operation and charge the battery cartridge when you notice less tool power.**
2. **Never recharge a fully charged battery cartridge. Overcharging shortens the battery service life.**
3. **Charge the battery cartridge with room temperature at 10 °C - 40 °C (50 °F - 104 °F). Let a hot battery cartridge cool down before charging it.**
4. **When not using the battery cartridge, remove it from the tool or the charger.**
5. **Charge the battery cartridge if you do not use it for a long period (more than six months).**

## FUNCTIONAL DESCRIPTION

**CAUTION:** Always be sure that the tool is switched off and the battery cartridge is removed before adjusting or checking function on the tool.

## Installing or removing battery cartridge

**CAUTION:** Always switch off the tool before installing or removing of the battery cartridge.

**CAUTION:** Hold the tool and the battery cartridge firmly when installing or removing battery cartridge. Failure to hold the tool and the battery cartridge firmly may cause them to slip off your hands and result in damage to the tool and battery cartridge and a personal injury.

► Fig.1: 1. Red indicator 2. Button 3. Battery cartridge

To remove the battery cartridge, slide it from the tool while sliding the button on the front of the cartridge.

To install the battery cartridge, align the tongue on the battery cartridge with the groove in the housing and slip it into place. Insert it all the way until it locks in place with a little click. If you can see the red indicator as shown in the figure, it is not locked completely.

**CAUTION:** Always install the battery cartridge fully until the red indicator cannot be seen. If not, it may accidentally fall out of the tool, causing injury to you or someone around you.

**CAUTION:** Do not install the battery cartridge forcibly. If the cartridge does not slide in easily, it is not being inserted correctly.

## Indicating the remaining battery capacity

Only for battery cartridges with the indicator

► Fig.2: 1. Indicator lamps 2. Check button

Press the check button on the battery cartridge to indicate the remaining battery capacity. The indicator lamps light up for a few seconds.

| Indicator lamps |     |          | Remaining capacity                  |
|-----------------|-----|----------|-------------------------------------|
| Lighted         | Off | Blinking |                                     |
| ■               | □   | ▧        | 75% to 100%                         |
| ■               | ■   | ■        |                                     |
| ■               | ■   | □        | 50% to 75%                          |
| ■               | □   | □        | 25% to 50%                          |
| ■               | □   | □        | 0% to 25%                           |
| ▧               | □   | □        | Charge the battery.                 |
| ■               | ■   | □        | The battery may have malfunctioned. |
| □               | □   | ■        |                                     |

**NOTE:** Depending on the conditions of use and the ambient temperature, the indication may differ slightly from the actual capacity.

**NOTE:** The first (far left) indicator lamp will blink when the battery protection system works.

## Tool / battery protection system

The tool is equipped with a tool/battery protection system. This system automatically cuts off power to the motor to extend tool and battery life. The tool will automatically stop during operation if the tool or battery is placed under one of the following conditions:

### Overload protection

When the tool or battery is operated in a manner that causes it to draw an abnormally high current, the tool automatically stops without any indication. In this situation, turn the tool off and stop the application that caused the tool to become overloaded. Then turn the tool on to restart.

### Overheat protection

When the tool or battery is overheated, the tool stops automatically. In this case, let the tool and battery cool before turning the tool on again.

### Overdischarge protection

When the battery capacity is not enough, the tool stops automatically. In this case, remove the battery from the tool and charge the battery.

## Protections against other causes

Protection system is also designed for other causes that could damage the tool and allows the tool to stop automatically. Take all the following steps to clear the causes, when the tool has been brought to a temporary halt or stop in operation.

1. Turn the tool off, and then turn it on again to restart.
2. Charge the battery(ies) or replace it/them with recharged battery(ies).
3. Let the tool and battery(ies) cool down.

If no improvement can be found by restoring protection system, then contact your local Makita Service Center.

## Switch action

**CAUTION:** Avoid turning the tool on while it is placed on the workpiece or on your workbench. It may cause personal injury or damage.

## Turning the tool on and off

Press the power/speed select button to start the tool. The tool starts to run at its highest orbital speed. Press the stop button to stop the tool.

► Fig.3: 1. Power/speed select button 2. Stop button

## Changing the tool speed

The orbital speed can be changed in two modes; high and low. Choose either mode depending on the application and workload. Press the power/speed select button to switch speed mode while the tool is running.

► Fig.4: 1. Power/speed select button

### Speed settings table

| Speed level | Orbital per minute              |
|-------------|---------------------------------|
| 2 (High)    | 14,000 min <sup>-1</sup> (/min) |
| 1 (Low)     | 11,000 min <sup>-1</sup> (/min) |

**NOTICE:** If the tool is operated continuously at low speeds for a long time, the motor will get overloaded, resulting in tool malfunction.

**NOTICE:** Select an appropriate speed range for your sanding operations to avoid overheating and melting the workpiece. Sanding at high orbital speed may heat workpiece and melt it at the point of contact.

## ASSEMBLY

**CAUTION:** Always be sure that the tool is switched off and the battery cartridge is removed before carrying out any work on the tool.

### Installing and removing abrasive paper

**CAUTION:** Always make sure that a sheet of abrasive paper is installed securely before use. The paper may otherwise be loosened, removed easily and subject to slippage, resulting in uneven sanding operation.

**NOTE:** Bending the paper beforehand makes attachment easier.

## Using abrasive paper without dust-suction hole

1. Cut a sheet of abrasive paper down to an appropriate size.  
▶ **Fig.5:** 1. Abrasive paper 2. Pad
2. Push and hold down the clamp lever on either front or rear end of the pad, and slide it away from the stopper so the clamp is released from its locked position.
3. Pull the clamp lever outwards as far as possible to create a space between the clamp and side wall of the sanding base in which one end of abrasive paper can be inserted.
4. Slip one end of the abrasive paper into the space between the clamp and sanding base.
5. Reposition the abrasive paper so it is finely overlaid on the pad surface.
6. Set the clamp lever back in a locked position to clamp the end of abrasive paper securely.
7. Release the clamp on the other end, and have the other end of abrasive paper ready to be clamped.
8. Maintain a proper tension on abrasive paper, and then set the clamp lever on the other end in a locked position.  
▶ **Fig.6:** 1. Abrasive paper 2. Clamp 3. Sanding base 4. Clamp lever 5. Stopper
9. Cover the abrasive paper with the punch plate with its positioning stoppers adjacent to the corner well fit onto two of the side edges of the pad and sanding base.  
▶ **Fig.7:** 1. Abrasive paper 2. Punch plate 3. Positioning stoppers 4. Pad 5. Sanding base
10. Push the punch plate over the abrasive paper to make dust-suction holes.
11. To remove the abrasive paper, release the clamps on both ends and take the paper off the pad.

## Using abrasive paper with dust-suction hole

### Optional accessory

1. Push and hold down the clamp lever on either front or rear end of the pad, and slide it away from the stopper so the clamp is released from its locked position.
2. Pull the clamp lever outwards as far as possible to create a space between the clamp and side wall of the sanding base in which one end of abrasive paper can be inserted.
3. Place a sheet of abrasive paper over the pad, aligning the dust-suction holes in the paper with those in the pad.  
▶ **Fig.8:** 1. Abrasive paper 2. Pad 3. Dust-suction hole
4. Slip one end of the abrasive paper into the space between the clamp and sanding base.
5. Set the clamp lever back in a locked position so the end of abrasive paper is clamped securely.
6. Release the clamp on the other end, and have the other end of abrasive paper ready to be clamped.

7. Maintain a proper tension on abrasive paper, and then set the clamp lever on the other end in a locked position.

▶ **Fig.9:** 1. Abrasive paper 2. Clamp 3. Sanding base 4. Clamp lever 5. Stopper

8. To remove the abrasive paper, release the clamps on both ends and take the paper off the pad.

## Using hook-and-loop abrasive paper

**CAUTION:** Make sure to install a hook-and-loop pad correctly and securely. A loose attachment will run out of balance and cause an excessive vibration resulting in loss of control.

**CAUTION:** Be sure that a hook-and-loop pad and abrasive paper are aligned and securely attached.

**CAUTION:** Only use hook-and-loop abrasive papers. Never use pressure-sensitive abrasive papers.

### For DBO480

1. Remove all dirt and foreign matter from the hook-and-loop pad.
2. Attach a sheet of optional hook-and-loop abrasive paper to the pad, aligning the dust-suction holes in the paper with those in the pad.  
▶ **Fig.10:** 1. Abrasive paper 2. Pad 3. Dust-suction holes
3. To remove the abrasive paper, peel it off from the edge.

### For DBO481 and DBO482

**NOTICE:** The cap or the O-ring may come out of the sanding base while replacing the pad. Be sure to set the cap or the O-ring back in the circular hole or the circular groove around the center of the base before installing the optional pad.

### DBO481

▶ **Fig.11:** 1. Cap 2. Sanding base 3. Circular hole

### DBO482

▶ **Fig.12:** 1. O-ring 2. Sanding base 3. Circular groove

1. Loosen and remove the four screws securing the pad to the sanding base.  
▶ **Fig.13:** 1. Screws 2. Pad 3. Sanding base
2. Replace the standard-equipped pad with an optional hook-and-loop pad.
3. Re-tighten the screws firmly to secure the hook-and-loop pad.  
▶ **Fig.14:** 1. Abrasive paper 2. Pad 3. Dust-suction holes
4. Remove all dirt and foreign matter from the hook-and-loop pad.
5. Attach a sheet of optional hook-and-loop abrasive paper to the pad, aligning the dust-suction holes in the paper with those in the pad.  
▶ **Fig.15:** 1. Abrasive paper 2. Pad 3. Dust-suction holes
6. To remove the abrasive paper, peel it off from the edge.

## Using triangular/rectangular abrasive paper

### Optional accessory

**CAUTION:** Make sure to install a hook-and-loop pad correctly and securely. A loose attachment will run out of balance and cause an excessive vibration resulting in loss of control.

**CAUTION:** Be sure that a hook-and-loop pad and abrasive paper are aligned and securely attached.

**CAUTION:** Only use hook-and-loop abrasive papers. Never use pressure-sensitive abrasive papers.

**NOTICE:** The cap or the O-ring may come out of the sanding base while replacing the pad. Be sure to set the cap or the O-ring back in the circular hole or the circular groove around the center of the base before installing the optional pad.

### DBO480, DBO481

► Fig.16: 1. Cap 2. Sanding base 3. Circular hole

### DBO482

► Fig.17: 1. O-ring 2. Sanding base 3. Circular groove

1. Loosen and remove the four screws securing the pad to the sanding base.

► Fig.18: 1. Screws 2. Pad 3. Sanding base

2. Replace the standard-equipped pad with a triangular/rectangular pad.

3. Re-tighten the screws firmly to secure the triangular/rectangular pad.

### Triangular pad

► Fig.19: 1. Screws 2. Triangular pad 3. Sanding base

You can install the abrasive paper on the side of the pad as illustrated.

► Fig.20: 1. Abrasive paper 2. Pad

### Rectangular pad

► Fig.21: 1. Screws 2. Rectangular pad 3. Sanding base

4. Remove all dirt and foreign matter from the triangular/rectangular pad.

5. Attach a sheet of optional hook-and-loop abrasive paper to the triangular/rectangular pad, aligning the dust-suction holes in the paper with those in the pad.

### Triangular pad

► Fig.22: 1. Abrasive paper 2. Triangular pad 3. Dust-suction holes

### Rectangular pad

► Fig.23: 1. Abrasive paper 2. Rectangular pad 3. Dust-suction holes

6. To remove the abrasive paper, peel it off from the edge.

## Installing and removing dust bag

### Optional accessory

Attach the dust bag over the tapered dust spout at the back end of the motor housing. Put the dust inlet of the bag onto the dust spout as far as it will go to avoid it from coming off during operation.

► Fig.24: 1. Dust spout 2. Dust inlet 3. Dust bag

**NOTICE:** Do not hold the dust bag when carrying the tool. Otherwise, the tool may fall and be damaged.

**NOTE:** To ensure optimal dust collecting, empty the dust bag when it becomes filled to approximately half of its capacity.

Remove the dust bag from the tool and remove the dust nozzle. Then gently shake or tap the dust bag to empty.

► Fig.25: 1. Dust nozzle

## Installing and removing dust box

### Optional accessory

Attach the dust box over the tapered dust spout at the back end of the motor housing. Put the dust inlet onto the dust spout as far as it will go to avoid it from coming off during operation.

► Fig.26: 1. Dust spout 2. Dust inlet 3. Dust nozzle 4. Dust box

**NOTICE:** Do not hold the dust box when carrying the tool. Otherwise, the tool may fall and be damaged.

**NOTE:** To ensure optimal dust collecting, empty the dust box when it becomes filled to approximately half of its capacity.

1. Remove the dust box from the tool.
2. Detach the dust nozzle from the box while pressing and holding the locking latches on both sides of the box.
3. Gently shake or tap the dust box to empty.

## Replacing paper filter

**NOTICE:** Be aware to align the logos on all the dust box, paper filter and dust nozzle in a consistent orientation when reassembling components.

1. Remove the dust box from the tool.
2. Detach the dust nozzle from the box while pressing and holding the locking latches on both sides of the box.  
► Fig.27: 1. Dust nozzle 2. Dust box 3. Locking latch
3. Hold the inner top edge of the cardboard opening, and pull it off downwards to disengage the outer top edge of the cardboard opening from the upper hooking tab on the lip of the dust box.

4. Take the paper filter out of the dust box while pulling the outer bottom edge of the cardboard opening free from the lower hooking tab.

► **Fig.28:** 1. Paper filter 2. Cardboard opening 3. Upper hooking tab 4. Lower hooking tab 5. Dust box

5. Replace a paper filter by engaging the bottom edge of the cardboard opening in the lower hooking tab and push the top edge inwards until it clips into the upper hooking tab.

► **Fig.29:** 1. Paper filter 2. Cardboard opening 3. Upper hooking tab 4. Lower hooking tab 5. Dust box

6. Snap the dust nozzle into place while pressing and holding the locking latches on both sides of the dust box.

► **Fig.30:** 1. Dust nozzle 2. Dust box 3. Locking latch

## Connecting with vacuum cleaner

### Optional accessory

When you wish to perform clean sanding operation, connect a Makita vacuum cleaner to your tool. Use either an optional hose 28 mm or a combination of the front cuff 22 and hose provided with the cleaner to establish a connection.

► **Fig.31:** 1. Dust spout 2. Front cuff 3. Hose 4. Vacuum cleaner

## OPERATION

### Sanding operation

**CAUTION:** Always be sure that the workpiece is secured firmly.

**NOTICE:** Never run the tool without the abrasive paper. You may seriously damage the pad.

**NOTICE:** Never force the tool. Excessive pressure may decrease the sanding efficiency, damage the abrasive paper and/or shorten tool life.

Hold the tool firmly. Turn the tool on and wait until it attains full speed. Then gently place the tool on the workpiece surface. A finishing sander is generally used to remove only a small amount of material at a time. Since the quality of the surface is more important than the amount of stock removed, do not bear down on the tool. Keep the base flush with the workpiece at all times.

► **Fig.32**

You can sand the material with upper and down side of the pad when you sand with the triangular/rectangular pad. It is convenient when you sand an object such as louver.

► **Fig.33**

## MAINTENANCE

**CAUTION:** Always be sure that the tool is switched off and the battery cartridge is removed before attempting to perform inspection or maintenance.

**NOTICE:** Never use gasoline, benzine, thinner, alcohol or the like. Discoloration, deformation or cracks may result.

To maintain product SAFETY and RELIABILITY, repairs, any other maintenance or adjustment should be performed by Makita Authorized or Factory Service Centers, always using Makita replacement parts.

### After use

Wipe off the tool using a dry cloth or cloth slightly moistened with soapy water at regular intervals.

## OPTIONAL ACCESSORIES

**CAUTION:** These accessories or attachments are recommended for use with your Makita tool specified in this manual. The use of any other accessories or attachments might present a risk of injury to persons. Only use accessory or attachment for its stated purpose.

If you need any assistance for more details regarding these accessories, ask your local Makita Service Center.

- Abrasive paper (hook and loop)
- Abrasive paper (clamp)
- Square pad (hook and loop)
- Square pad (clamp)
- Rectangular pad
- Triangular pad
- Dust bag
- Dust box
- Filter
- Paper filter
- Makita genuine battery and charger

**NOTE:** Some items in the list may be included in the tool package as standard accessories. They may differ from country to country.

## SPECIFIKATIONER

| Modell:                   |  | DBO480  | DBO481 | DBO482       |
|---------------------------|--|---|--------|--------------|
| Storlek på slippplatta    | Fyrkantig slippplatta                      | 112 mm x 102 mm   |        |              |
|                           | Triangelär slippplatta                     | 112 mm x 190 mm   |        |              |
|                           | Rektangelär slippplatta                    | 112 mm x 168,5 mm   |        |              |
| Slippapper                | För fyrkantig slippplatta (kardborrefäste) | 114 mm x 102 mm   |        |              |
|                           | För fyrkantig slippplatta (klämma)         | 114 mm x 140 mm   |        |              |
|                           | För triangulär slippplatta                 | Rektangelärt papper: 114 mm x 102 mm<br>Triangelärt papper: 96 mm |        |              |
|                           | För rektangelär slippplatta                | 112 mm x 168,5 mm, 112 mm x 66 mm                                 |        |              |
| Varv per minut            | Högt                                       | 14 000 min <sup>-1</sup>  |        |              |
|                           | Lågt                                       | 11 000 min <sup>-1</sup>  |        |              |
| Total längd (med BL1860B) |  | 171 mm  |        |              |
| Märkspänning              |  | 18 V likström   |        |              |
| Nettovikt                 |  | 1,4 - 1,7 kg  |        | 1,4 - 1,8 kg |

- \* Standardslippplattan varierar mellan olika länder.
- På grund av vårt pågående program för forskning och utveckling kan dessa specifikationer ändras utan föregående meddelande.
- Specifikationer och batterikassett kan variera mellan olika länder.
- Vikten kan variera beroende på tillbehören, inklusive batterikassett. Den lättaste och den tyngsta kombinationen enligt EPTA-procedur 01/2014 visas i tabellen.

### Tillgänglig batterikassett och laddare

|                |  |
|----------------|--|
| Batterikassett | BL1815N / BL1820B / BL1830B / BL1840B / BL1850B / BL1860B    |
| Laddare        | DC18RC / DC18RD / DC18RE / DC18SD / DC18SE / DC18SF / DC18SH |

- Vissa av batterikassetterna och laddarna på listan ovan kanske inte finns tillgängliga i din region.

**⚠ VARNING: Använd endast batterikassetter och laddare från listan ovan.** Användning av andra batterikassetter och laddare kan orsaka personskada och/eller brand.

### Avsedd användning

Verktyget är avsett för slipning av stora ytor i trä, plast och metall samt för målade ytor.

### Buller

Den normala bullernivån för A-belastning är bestämd enligt EN62841-2-4:

#### Modell DBO480

Ljudtrycksnivå ( $L_{pA}$ ): 75 dB (A)

Mättolerans (K): 3 dB (A)

#### Modell DBO481

Ljudtrycksnivå ( $L_{pA}$ ): 75 dB (A)

Mättolerans (K): 3 dB (A)

#### Modell DBO482

Ljudtrycksnivå ( $L_{pA}$ ): 75 dB (A)

Mättolerans (K): 3 dB (A)

Bullernivån vid arbete kan överstiga 80 dB (A).

**OBS:** Det deklarerade bullervärdet har uppmätts i enlighet med standardtestmetoden och kan användas för jämförandet av en maskin med en annan.

**OBS:** Det deklarerade bulleremissionsvärdet kan också användas i en preliminär bedömning av exponering för vibration.

**⚠ VARNING: Använd hörselskydd.**

**⚠ VARNING: Bulleremissionen under faktisk användning av maskinen kan skilja sig från det deklarerade värdet, beroende på hur maskinen används och särskilt vilken typ av arbetsstycke som behandlas.**

**⚠ VARNING: Var noga med att identifiera säkerhetsåtgärder för att skydda användaren, vilka är grundade på en uppskattning av graden av exponering för vibrationer under de faktiska användningsförhållandena, (ta, förutom avtryckartiden, med alla delar av användarcykeln i beräkningen, som till exempel tiden då maskinen är avstängd och när den går på tomgång).**

## Vibration

Det totala vibrationsvärdet (treaxlad vektorsumma) bestämt enligt EN62841-2-4:

### Modell DBO480

Arbetsläge: slipning av metallplåt (fyrkantig bas)

Vibrationsemission ( $a_{h1}$ ): 2,5 m/s<sup>2</sup> eller lägre

Mättolerans (K): 1,5 m/s<sup>2</sup>

Arbetsläge: slipa metallplatta

Vibrationsemission ( $a_{h1}$ ): 4,1 m/s<sup>2</sup>

Mättolerans (K): 1,5 m/s<sup>2</sup>

### Modell DBO481

Arbetsläge: slipning av metallplåt (fyrkantig bas)

Vibrationsemission ( $a_{h1}$ ): 2,5 m/s<sup>2</sup> eller lägre

Mättolerans (K): 1,5 m/s<sup>2</sup>

### Modell DBO482

Arbetsläge: slipning av metallplåt (fyrkantig bas)

Vibrationsemission ( $a_{h1}$ ): 4,1 m/s<sup>2</sup>

Mättolerans (K): 1,5 m/s<sup>2</sup>

**OBS:** Det deklarerade totala vibrationsvärdet har uppmätts i enlighet med standardtestmetoden och kan användas för jämförandet av en maskin med en annan.

**OBS:** Det deklarerade totala vibrationsvärdet kan också användas i en preliminär bedömning av exponering för vibration.

**⚠ VARNING:** Vibrationsemissionen under faktisk användning av maskinen kan skilja sig från det deklarerade värdet, beroende på hur maskinen används och särskilt vilken typ av arbetsstycke som behandlas.

**⚠ VARNING:** Var noga med att identifiera säkerhetsåtgärder för att skydda användaren, vilka är grundade på en uppskattning av graden av exponering för vibrationer under de faktiska användningsförhållandena, (ta, förutom avtryckartiden, med alla delar av användarcykeln i beräkningen, som till exempel tiden då maskinen är avstängd och när den går på tomgång).

## EG-försäkran om överensstämmelse

### Gäller endast inom EU

EG-försäkran om överensstämmelse inkluderas som bilaga A till denna bruksanvisning.

## SÄKERHETSVARNINGAR

### Allmänna säkerhetsvarningar för maskiner

**⚠ VARNING:** Läs alla säkerhetsvarningar, anvisningar, illustrationer och specifikationer som medföljer det här maskinen. Underlåtenhet att följa instruktionerna kan leda till elstötar, brand och/eller allvarliga personskador.

### Spara alla varningar och instruktioner för framtida referens.

Termen "maskin" som anges i varningarna hänvisar till din eldrivna maskin (sladdansluten) eller batteridrivna maskin (sladdlös).

## Säkerhetsvarningar för slipmaskin

1. Använd alltid skyddsglasögon. Vanliga glasögon och solglasögon är INTE skyddsglasögon. Håll stadigt i verktyget.
2. Lämna inte verktyget igång. Använd endast verktyget när du håller det i händerna.
3. Detta verktyg är inte vattentätt, så använd inte vatten på arbetsstyckets yta.
4. Ventilera arbetsplatsen ordentligt när du utför sliparbeten.
5. Vissa material kan innehålla giftiga kemikalier. Se till att du inte andas in damm eller får det på huden. Följ anvisningarna i leverantörens materialsäkerhetsblad.
6. Används verktyget för slipning av vissa produkter, färger och trä kan användaren utsättas för damm som innehåller farliga ämnen. Använd lämpligt andningskydd.
7. Se före användning till att slipdynan inte är sprucken eller trasig. Sprickor och skador kan orsaka personskada.
8. Se till att alltid ha ordentligt fotfäste och god balans när du använder verktyget. Se till att ingen står under dig när du arbetar på hög höjd.

## SPARA DESSA ANVISNINGAR.

**⚠ VARNING:** GLÖM INTE att också fortsättningsvis strikt följa säkerhetsanvisningarna för maskinen även efter att du blivit van att använda den. Vid FELAKTIG HANTERING av maskinen eller om inte säkerhetsanvisningarna i denna bruksanvisning följs kan följden bli allvariga personskador.

## Viktiga säkerhetsanvisningar för batterikassetten

1. Innan batterikassetten används ska alla instruktioner och varningsmärken på (1) batteriladdaren, (2) batteriet och (3) produkten läsas.
2. Montera inte isär eller mixtra med batterikassetten. Det kan leda till brand, överdriven värme eller explosion.
3. Om drifttiden blivit avsevärt kortare ska användningen avbrytas omedelbart. Det kan uppstå överhettning, brännskador och t o m en explosion.
4. Om du får elektrolyt i ögonen ska de sköljas med rent vatten och läkare uppsöks omedelbart. Det finns risk för att synen förloras.
5. Kortslut inte batterikassetten.
  - (1) Rör inte vid polerna med något strömförande material.
  - (2) Undvik att förvara batterikassetten tillsammans med andra metallobjekt som t.ex. spikar, mynt o.s.v.
  - (3) Skydda batteriet mot vatten och regn. En batterikortslutning kan orsaka ett stort strömflöde, överhettning, brand och maskinhaveri.

6. **Förvara och använd inte verktyget och batterikassetten på platser där temperaturen kan nå eller överstiga 50 °C.**
7. **Bränn inte upp batterikassetten även om den är svårt skadad eller helt utsliten. Batterikassetten kan explodera i öppen eld.**
8. **Spika inte i, krossa, kasta, tappa eller slå batterikassetten mot hårda föremål. Dylåka händelser kan leda till brand, överdriven värme eller explosion.**
9. **Använd inte ett skadat batteri.**
10. **De medföljande litiumjonbatterierna är föremål för kraven i gällande lagstiftning för farligt gods.**  
För kommersiella transporter (av t.ex. tredje parter som speditiönsfirmor) måste de särskilda transportkrav som anges på emballaget och etiketter iakttas.  
För att förbereda den produkt som ska avsändas krävs att du konsulterar en expert på riskmaterial. Var också uppmärksam på att det i ditt land kan finnas ytterligare föreskrifter att följa.  
Tejpa över eller maskera blottade kontakter och packa batteriet på sådant sätt att det inte kan röra sig fritt i förpackningen.
11. **När batterikassetten ska kasseras måste den tas bort från maskinen och kasseras på ett säkert sätt. Följ lokala föreskrifter beträffande avfallshantering av batteriet.**
12. **Använd endast batterierna med de produkter som specificerats av Makita. Att använda batterierna med ej godkända produkter kan leda till brand, överdriven värme, explosion eller utläckande elektrolyt.**
13. **Om maskinen inte används under en lång tid måste batteriet tas bort från maskinen.**
14. **Under och efter användning kan batterikassetten bli het vilket kan orsaka brännskador eller lättare brännskador. Var uppmärksam på hur du hanterar varma batterikassetter.**
15. **Vidrör inte verktygets kontakter direkt efter användning eftersom de kan bli heta och orsaka brännskador.**
16. **Låt inte flisor, damm eller smuts fastna i kontaktarna, i hål eller spår i batterikassetten. Det kan leda till att verktyget eller batterikassetten värms upp, fattar eld, går sönder eller inte fungerar som de ska, vilket kan orsaka brännskador eller personskador.**
17. **Såvida inte verktyget stöder arbeten i närheten av högspänningsledningar får batterikassetten inte användas i närheten av en högspänningsledning. Det kan leda till att verktyget eller batterikassetten går sönder eller inte fungerar korrekt.**
18. **Förvara batteriet utom räckhåll för barn.**

## SPARA DESSA ANVISNINGAR.

**⚠FÖRSIKTIGT:** Använda endast äkta Makita-batterier. Användning av oäkta Makita-batterier eller batterier som har manipulerats kan leda till person- och utrustningsskador eller till att batteriet fattar eld. Det upphäver också Makitas garanti för verktyget och laddaren.

## Tips för att uppnå batteriets maximala livslängd

1. Ladda batterikassetten innan den är helt urladdad. Stanna alltid maskinen och ladda batterikassetten när du märker att maskinen blir svagare.
2. Ladda aldrig en fulladdad batterikasset. Överladdning förkortar batteriets livslängd.
3. Ladda batterikassetten vid en rumstemperatur på 10 °C - 40 °C. Låt en varm batterikasset svalna innan den laddas.
4. När batterikassetten inte används ska den tas bort från verktyget eller laddaren.
5. Ladda batterikassetten om du inte har använt den på länge (mer än sex månader).

## FUNKTIONSBESKRIVNING

**⚠FÖRSIKTIGT:** Se alltid till att maskinen är avstängd och batterikassetten borttagen innan du justerar maskinen eller kontrollerar dess funktioner.

### Montera eller demontera batterikassetten

**⚠FÖRSIKTIGT:** Stäng alltid av maskinen innan du monterar eller tar bort batterikassetten.

**⚠FÖRSIKTIGT:** Håll stadigt i maskinen och batterikassetten när du monterar eller tar bort batterikassetten. I annat fall kan det leda till att de glider ur dina händer och orsakar skada på maskinen och batterikassetten samt personskada.

► Fig.1: 1. Röd indikator 2. Knap 3. Batterikasset

Ta bort batterikassetten genom att skjuta ner knappen på kassetens framsida samtidigt som du drar ut batterikassetten.

Sätt i batterikassetten genom att rikta in tungan på batterikassetten mot spåret i höljet och skjut den på plats. Tryck in batterikassetten ordentligt tills den låser fast med ett klick. Om du kan se den röda indikatorn som bilden visar är den inte låst ordentligt.

**⚠FÖRSIKTIGT:** Sätt alltid i batterikassetten helt tills den röda indikatorn inte längre syns. I annat fall kan den oväntat falla ur verktyget och skada dig eller någon annan.

**⚠FÖRSIKTIGT:** Montera inte batterikassetten med våld. Om kassetten inte lätt glider på plats är den felinsatt.



## Indikerar kvarvarande batterikapacitet

### Endast för batterikassetter med indikator

► **Fig. 2:** 1. Indikatorlampor 2. Kontrollknapp

Tryck på kontrollknappen på batterikassetten för att se kvarvarande batterikapacitet. Indikatorlamporna lyser i ett par sekunder.

| Indikatorlampor |    |         | Kvarvarande kapacitet     |              |
|-----------------|----|---------|---------------------------|--------------|
| Upplyst         | Av | Blinkar |                           |              |
| ■               | □  | ▬       | 75% till 100%             |              |
| ■ ■ ■ ■         |    |         |                           |              |
| ■ ■ ■ □         |    |         |                           | 50% till 75% |
| ■ ■ □ □         |    |         |                           | 25% till 50% |
| ■ □ □ □         |    |         | 0% till 25%               |              |
| ▬ □ □ □         |    |         | Ladda batteriet.          |              |
| ■ ■ □ □         |    |         | Batteriet kan ha skadats. |              |
| □ □ ■ ■         |    |         |                           |              |

**OBS:** Beroende på användningsförhållanden och den omgivande temperaturen kan indikationen skilja sig lätt från den faktiska batterikapaciteten.

**OBS:** Den första (längst till vänster) indikatorlampan kommer att blinka när batteriskyddssystemet fungerar.

## Skyddssystem för maskinen/ batteriet

Verktyget är utrustat med ett skyddssystem för verktyget/batteriet. Detta system bryter automatiskt strömmen till motorn för att förlänga verktygets och batteriets livslängd. Verktyget stoppar automatiskt under användningen om verktyget eller batteriet hamnar i en av följande situationer:

### Överbelastningsskydd

Om maskinen eller batteriet används på ett sätt som gör att det drar onormalt mycket ström kan det stoppas automatiskt utan varning. Stäng då av maskinen och stoppa åtgärden som gjorde att den överbelastades. Starta därefter upp maskinen igen.

### Överhettningsskydd

När maskinen eller batteriet överhettas stoppas maskinen automatiskt. I sådant fall ska du låta maskinen och batteriet svalna innan du startar maskinen igen.

### Överurladdningsskydd

När batteriets kapacitet är otillräcklig stoppar maskinen automatiskt. I sådant fall ska batteriet tas ur maskinen och laddas.

## Skydd mot andra orsaker

Skyddssystemet är också utvecklat för att hantera andra orsaker som skulle kunna skada verktyget och tillåter verktyget att stanna automatiskt. Ta följande steg för att åtgärda felet när verktyget stannat temporärt eller helt.

1. Stäng av verktyget och starta sedan upp den igen för att starta om.
2. Laddning av batteriet/batterierna och ersätt det/ dem med laddade batteri(er).
3. Låt verktyget och batteri(erna) svalna.

Om ingen förbättring kan hittas genom att återställa skyddssystemet, kontakta ditt lokala Makita Service Center.

## Avtryckarens funktion

**⚠ FÖRSIKTIGT:** Undvik att sätta på verktyget medan det är placerat på arbetsstycket eller på arbetsbänken. Det kan leda till personskada eller egendomsskada.

## Slå på och av verktyget

Tryck på ström-/hastighetsvalknappen för att starta verktyget. Verktyget börjar köra med sitt högsta varvtal. Tryck på stoppknappen för att stoppa verktyget.

► **Fig. 3:** 1. Ström-/hastighetsvalknapp 2. Stoppknapp

## Ändra verktygshastigheten

Varvtalet kan ändras i två lägen; högt och lågt. Välj läge utifrån användningsområdet och arbetsbelastningen. Tryck på ström-/hastighetsvalknappen för att ändra hastighetsläge när verktyget är igång.

► **Fig. 4:** 1. Ström-/hastighetsvalknapp

### Tabell för hastighetsinställningar

| Hastighetsnivå | Varv per minut                  |
|----------------|---------------------------------|
| 2 (Högt)       | 14 000 min <sup>-1</sup> (/min) |
| 1 (Lågt)       | 11 000 min <sup>-1</sup> (/min) |

**OBSERVERA:** Om maskinen används oavbrutet på låg hastighet under lång tid överbelastas motorn, vilket leder till funktionsfel på maskinen.

**OBSERVERA:** Välj ett lämpligt hastighetsintervall för dina slipningsarbeten för att undvika överhettning och att arbetsstycket smälter. Slipning med högt varvtal kan hetta upp arbetsstycket och göra att det smälter vid kontaktpunkten.

## MONTERING

**⚠ FÖRSIKTIGT:** Se alltid till att maskinen är avstängd och batterikassetten borttagen innan du underhåller maskinen.

## Sätta i och ta bort slippapper

**⚠ FÖRSIKTIGT:** Se alltid till att slippappersarket sitter ordentligt fast före användning. Annars kan papperet bli löst, lätt lossna och slira, vilket ger en ojämn slipning.

**OBS:** Det går lättare att sätta fast pappret om det böjs lite i förväg.

## Använda slippapper utan damminsugshål

1. Klipp ner ett ark slippapper till lämplig storlek.  
▶ **Fig.5:** 1. Slippapper 2. Slipplatta
2. Tryck och håll in klämspaken på antingen fram- eller baksidan av slipplattan, och skjut den bort från stoppanordningen så att klämman lossas från sitt låsta läge.
3. Dra klämspaken utåt så långt som möjligt för att skapa ett utrymme mellan klämman och sidoväggen på slipningsbasen där ena änden av slippapperet kan föras in.
4. Skjut in ena änden av slippapperet i utrymmet mellan klämman och slipningsbasen.
5. Placera om slippapperet så att det ligger an på slipplattans yta.
6. Sätt tillbaka klämspaken i låst läge så att slippapperets ände kläms fast ordentligt.
7. Lossa klämman i den andra änden och gör slippapperets andra ände klar att klämmas fast.
8. Se till att slippapperet fortsätter vara ordentligt spänt, och sätt sedan klämspaken i den andra änden i låst läge.  
▶ **Fig.6:** 1. Slippapper 2. Klämma 3. Slipningsbas 4. Klämspak 5. Stoppanordning
9. Täck slippapperet med hålstansen med dess positionsstoppanordningar angränsande till hörnet väl inpassade på två av slipplattans och slipningsbasens sidokanter.  
▶ **Fig.7:** 1. Slippapper 2. Hålstans 3. Positionsstoppanordningar 4. Slipplatta 5. Slipningsbas
10. Tryck hålstansen över slippapperet för att göra damminsugshål.
11. Ta bort slippapperet genom att lossa klämmorna i båda ändar och ta av pappret från slipplattan.

## Använda slippapper med damminsugshål

### Extra tillbehör

1. Tryck och håll in klämspaken på antingen fram- eller baksidan av slipplattan, och skjut den bort från stoppanordningen så att klämman lossas från sitt låsta läge.
2. Dra klämspaken utåt så långt som möjligt för att skapa ett utrymme mellan klämman och sidoväggen på slipningsbasen där ena änden av slippapperet kan föras in.
3. Placera en ark slippapper över slipplattan, med damminsugshålen i pappret inriktade mot hålen i slipplattan.  
▶ **Fig.8:** 1. Slippapper 2. Slipplatta 3. Damminsugshål
4. Skjut in ena änden av slippapperet i utrymmet mellan klämman och slipningsbasen.
5. Sätt tillbaka klämspaken i låst läge så att slippapperets ände sitter ordentligt fast.
6. Lossa klämman i den andra änden och gör slippapperets andra ände klar att klämmas fast.

7. Se till att slippapperet fortsätter vara ordentligt spänt, och sätt sedan klämspaken i den andra änden i låst läge.

▶ **Fig.9:** 1. Slippapper 2. Klämma 3. Slipningsbas 4. Klämspak 5. Stoppanordning

8. Ta bort slippapperet genom att lossa klämmorna i båda ändar och ta av pappret från slipplattan.

## Använda slippapper med kardborrefäste

**⚠FÖRSIKTIGT:** Se till att installera en slipplatta med kardborrefäste korrekt och säkert. Ett löst sittande tillbehör roterar ojämnt och vibrerar kraftigt, vilket leder till att du tappar kontrollen.

**⚠FÖRSIKTIGT:** Se till att slipplattan med kardborrefäste och slippapperet är inriktade mot varandra och sitter ordentligt fast.

**⚠FÖRSIKTIGT:** Använd endast slippapper med kardborrefäste. Använd aldrig slippapper som är känsliga för tryck.

### För DBO480

1. Ta bort all smuts och främmande material från kardborreplattan.
2. Sätt fast en bit valfritt slippapper med kardborrefäste vid slipplattan, med damminsugshålen i pappret inriktade mot hålen i slipplattan.  
▶ **Fig.10:** 1. Slippapper 2. Slipplatta 3. Damminsugshål
3. Ta bort slippapperet genom att skala av det från kanten.

### För DBO481 och DBO482

**OBSERVERA:** Locket eller O-ringen kan komma ut ur slipningsbasen medan slipplattan byts. Se till att du sätter tillbaka locket eller O-ringen i det cirkulära hålet eller cirkulära spåret runt mitten av basen innan den valfria slipplattan installeras.

### DBO481

▶ **Fig.11:** 1. Lock 2. Slipningsbas 3. Cirkulärt hål

### DBO482

▶ **Fig.12:** 1. O-ring 2. Slipningsbas 3. Cirkulärt spår

1. Lossa och ta bort de fyra skruvarna som fäster slipplattan vid slipningsbasen.  
▶ **Fig.13:** 1. Skruvar 2. Slipplatta 3. Slipningsbas
2. Byt ut den standardmonterade slipplattan mot en valfri kardborreplatta.
3. Dra åt skruvarna ordentligt för att fästa kardborreplattan.  
▶ **Fig.14:** 1. Slippapper 2. Slipplatta 3. Damminsugshål
4. Ta bort all smuts och främmande material från kardborreplattan.
5. Sätt fast en bit valfritt slippapper med kardborrefäste vid slipplattan, med damminsugshålen i pappret inriktade mot hålen i slipplattan.  
▶ **Fig.15:** 1. Slippapper 2. Slipplatta 3. Damminsugshål
6. Ta bort slippapperet genom att skala av det från kanten.

# Använda triangulärt/rektangulärt slippapper

## Extra tillbehör

**⚠ FÖRSIKTIGT:** Se till att installera en slipplatta med kardborrefäste korrekt och säkert. Ett löst sittande tillbehör roterar ojämnt och vibrerar kraftigt, vilket leder till att du tappar kontrollen.

**⚠ FÖRSIKTIGT:** Se till att slipplattan med kardborrefäste och slippapperet är inriktade mot varandra och sitter ordentligt fast.

**⚠ FÖRSIKTIGT:** Använd endast slippapper med kardborrefäste. Använd aldrig slippapper som är känsliga för tryck.

**OBSERVERA:** Locket eller O-ringen kan komma ut ur slipningsbasen medan slipplattan byts. Se till att du sätter tillbaka locket eller O-ringen i det cirkulära hålet eller cirkulära spåret runt mitten av basen innan den valfria slipplattan installeras.

## DBO480, DBO481

► Fig.16: 1. Lock 2. Slipningsbas 3. Cirkulärt hål

## DBO482

► Fig.17: 1. O-ring 2. Slipningsbas 3. Cirkulärt spår

1. Lossa och ta bort de fyra skruvarna som fäster slipplattan vid slipningsbasen.

► Fig.18: 1. Skruvar 2. Slipplatta 3. Slipningsbas

2. Byt ut den standardmonterade slipplattan mot en triangulär/rektangulär slipplatta.

3. Dra åt skruvarna ordentligt för att fästa den triangulära/rektangulära slipplattan.

## Triangulär slipplatta

► Fig.19: 1. Skruvar 2. Triangulär slipplatta 3. Slipningsbas

Du kan installera slippappret på sidan av slipplattan enligt bilden.

► Fig.20: 1. Slippapper 2. Slipplatta

## Rektangulär slipplatta

► Fig.21: 1. Skruvar 2. Rektangulär slipplatta 3. Slipningsbas

4. Ta bort all smuts och främmande material från den triangulära/rektangulära slipplattan.

5. Sätt fast en bit valfritt slippapper med kardborrefäste vid den triangulära/rektangulära slipplattan, med damminsughålen i papperet inriktade mot hålen i slipplattan.

## Triangulär slipplatta

► Fig.22: 1. Slippapper 2. Triangulär slipplatta 3. Damminsughål

## Rektangulär slipplatta

► Fig.23: 1. Slippapper 2. Rektangulär slipplatta 3. Damminsughål

6. Ta bort slippapperet genom att skala av det från kanten.

# Sätta i och ta bort dammpåsen

## Extra tillbehör

Sätt fast dammpåsen över det konformade dammutkastet i motorhusets bakände. Sätt påsens damminlopp över dammutkastet så långt in det går, för att undvika att den lossnar under körning.

► Fig.24: 1. Dammutkast 2. Damminlopp 3. Dammpåse

**OBSERVERA:** Bär inte verktyget i dammpåsen. I annat fall kan verktyget falla ner och skadas.

**OBS:** För att säkerställa optimal dammuppsamling ska dammpåsen tömmas när den blir full till omkring halva sin kapacitet.

Ta bort dammpåsen från verktyget och ta bort dammunstycket. Skaka eller knacka sedan försiktigt på dammpåsen för att tömma den.

► Fig.25: 1. Dammunstycke

# Sätta i och ta bort dammuppsamlingslådan

## Extra tillbehör

Sätt fast dammuppsamlingslådan över det konformade dammutkastet i motorhusets bakände. Sätt dammintaget på dammutkastet så långt in det går, för att undvika att det lossnar under körning.

► Fig.26: 1. Dammutkast 2. Dammintag 3. Dammunstycke 4. Dammuppsamlingslåda

**OBSERVERA:** Bär inte verktyget i dammpåsen. I annat fall kan verktyget falla ner och skadas.

**OBS:** För att säkerställa optimal dammuppsamling ska dammuppsamlingslådan tömmas när den blir full till omkring halva sin kapacitet.

1. Ta bort dammuppsamlingslådan från verktyget.
2. Ta loss dammunstycket från lådan samtidigt som du trycker och håller in låsspärrarna på båda sidor av lådan.
3. Skaka eller knacka försiktigt på dammuppsamlingslådan för att tömma den.

# Byta pappersfilter

**OBSERVERA:** Var uppmärksam på att logotyperna på dammuppsamlingslådan, pappersfiltret och dammunstycket är riktade åt samma håll när du monterar ihop komponenterna igen.

1. Ta bort dammuppsamlingslådan från verktyget.
2. Ta loss dammunstycket från lådan samtidigt som du trycker och håller in låsspärrarna på båda sidor av lådan.
- Fig.27: 1. Dammunstycke 2. Dammuppsamlingslåda 3. Låsspärr
3. Håll i kartongöppningens inre överkant och dra av den neråt så att kartongöppningens yttre överkant hakas av från den övre haken på dammuppsamlingslådans fästkant.

4. Ta ut pappersfiltret ur dammuppsamlingslådan samtidigt som du drar undan kartongöppningens yttre underkant från den undre haken.

- **Fig.28:** 1. Pappersfilter 2. Kartongöppning  
3. Övre hake 4. Undre hake  
5. Dammuppsamlingslåda

5. Sätt tillbaka ett pappersfilter genom att haka in kartongöppningens underkant i den undre haken och trycka överkanten inåt tills den klickar in i den övre haken.

- **Fig.29:** 1. Pappersfilter 2. Kartongöppning  
3. Övre hake 4. Undre hake  
5. Dammuppsamlingslåda

6. Klicka dammunstycket på plats samtidigt som du trycker och håller in låsspärrarna på båda sidor av dammuppsamlingslådan.

- **Fig.30:** 1. Dammunstycke  
2. Dammuppsamlingslåda 3. Låsspärr

## Anslutning till dammsugare

### Extra tillbehör

Anslut en dammsugare från Makita till verktyget när du vill ha rent under slipningen. Använd antingen en separat slang på 28 mm eller en kombination den främre kopplingen 22 och slangen som medföljer dammsugaren för att göra en anslutning.

- **Fig.31:** 1. Dammutkast 2. Främre koppling 3. Slang  
4. Dammsugare

## ANVÄNDNING

### Slipning

**⚠ FÖRSIKTIGT:** Försäkra dig alltid om att arbetsstycket sitter ordentligt fast.

**OBSERVERA:** Använd aldrig verktyget utan slippapper. Slippattan kan skadas allvarligt.

**OBSERVERA:** Använd aldrig våld på verktyget. Alltför hårt tryck kan minska slipningseffektiviteten, skada slippappret och/eller förkorta verktygets livslängd.

Håll verktyget i ett fast grepp. Starta verktyget och vänta tills det uppnått full hastighet. Placera därefter försiktigt verktyget på arbetsstyckets yta. En planslipmaskin används normalt endast för att slipa bort små mängder av materialet åt gången. Eftersom ytans kvalitet är av större vikt än hur mycket som slipas bort, bör du inte trycka för mycket mot verktyget. Håll hela tiden bottenplattan plant mot arbetsstycket.

- **Fig.32**

Du kan slipa materialet med den övre och nedre sidan av slippattan när du slipar med den triangulära/rektangulära slippattan. Detta är praktiskt när du slipar objekt som till exempel en lamell.

- **Fig.33**

## UNDERHÅLL

**⚠ FÖRSIKTIGT:** Se alltid till att maskinen är avstängd och batterikassetten borttagen innan inspektion eller underhåll utförs.

**OBSERVERA:** Använd inte bensin, förtunningsmedel, alkohol eller liknande. Missfärgning, deformation eller sprickor kan uppstå.

För att upprätthålla produktens SÄKERHET och TILLFÖRLITLIGHET bör allt underhålls- och justeringsarbete utföras av ett auktoriserat Makita servicecenter och med reservdelar från Makita.

### Efter användning

Torka regelbundet av verktyget med en torr trasa eller duk som är lätt fuktad med tvålvatten.

## VALFRIA TILLBEHÖR

**⚠ FÖRSIKTIGT:** Följande tillbehör eller tillsatser rekommenderas för användning med den Makita-maskin som denna bruksanvisning avser. Om andra tillbehör eller tillsatser används kan det uppstå risk för personskador. Använd endast tillbehören eller tillsatserna för de syften de är avsedda för.

Kontakta ditt lokala Makita servicecenter om du behöver ytterligare information om dessa tillbehör.

- Slippapper (kardborrfäste)
- Slippapper (klämma)
- Fyrkantig slippatta (kardborrefäste)
- Fyrkantig slippatta (klämma)
- Rektangulär slippatta
- Triangulär slippatta
- Dammpåse
- Dammuppsamlingslåda
- Filter
- Pappersfilter
- Makitas originalbatteri och -laddare

**OBS:** Några av tillbehören i listan kan vara inkluderade i maskinpaketet som standardtillbehör. De kan variera mellan olika länder.

## TEKNISKE DATA

| Modell:                    |                                | DBO480  | DBO481       | DBO482 |
|----------------------------|--------------------------------|---|--------------|--------|
| Putestørrelse              | Kvadratisk pute                | 112 mm x 102 mm   |              |        |
|                            | Trekantet pute                 | 112 mm x 190 mm   |              |        |
|                            | Rektangulær pute               | 112 mm x 168,5 mm   |              |        |
| Slipepapir                 | For kvadratisk pute (borrelås) | 114 mm x 102 mm   |              |        |
|                            | For kvadratisk pute (klemme)   | 114 mm x 140 mm   |              |        |
|                            | For trekantet pute             | Rektangulært papir: 114 mm x 102 mm<br>Trekantet papir: 96 mm |              |        |
|                            | For rektangulær pute           | 112 mm x 168,5 mm, 112 mm x 66 mm                             |              |        |
| Rotasjon per minutt        | Høy                            | 14 000 min <sup>-1</sup>                                      |              |        |
|                            | Lav                            | 11 000 min <sup>-1</sup>                                      |              |        |
| Total lengde (med BL1860B) |                                | 171 mm  |              |        |
| Merkespenning              |                                | DC 18 V   |              |        |
| Nettovekt                  |                                | 1,4 - 1,7 kg  | 1,4 - 1,8 kg |        |

- \* Standardputen varierer fra land til land.
- På grunn av vårt kontinuerlige forsknings- og utviklingsprogram kan spesifikasjonene som oppgis i dette dokumentet endres uten varsel.
- Spesifikasjoner og batteriinnsetts kan variere fra land til land.
- Vekten kan variere avhengig av tilbehøret/tilbehørene, inkludert batteriet. Den letteste og tyngste kombinasjonen, i henhold til EPTA-prosedyre 01/2014, vises i tabellen.

## Passende batteri og lader

|                 |  |
|-----------------|--|
| Batteriinnsetts | BL1815N / BL1820B / BL1830B / BL1840B / BL1850B / BL1860B    |
| Lader           | DC18RC / DC18RD / DC18RE / DC18SD / DC18SE / DC18SF / DC18SH |

- Noen av batteriene og laderne som er opplistet ovenfor er kanskje ikke tilgjengelige, avhengig av hvor du bor.

**⚠ ADVARSEL: Bruk kun de batteriene og laderne som er opplistet ovenfor.** Bruk av andre batterier og ladere kan føre til personskader og/eller brann.

## Riktig bruk

Denne maskinen er laget for å pusse store treflater, plast og metallmaterialer samt malte overflater.

## Støy

Typisk A-vektet lydtryknivå er bestemt i henhold til EN62841-2-4:

### Modell DBO480

Lydtryknivå ( $L_{pA}$ ): 75 dB (A)

Usikkerhet (K): 3 dB (A)

### Modell DBO481

Lydtryknivå ( $L_{pA}$ ): 75 dB (A)

Usikkerhet (K): 3 dB (A)

### Modell DBO482

Lydtryknivå ( $L_{pA}$ ): 75 dB (A)

Usikkerhet (K): 3 dB (A)

Støynivået under arbeid kan overskride 80 dB (A).

**MERK:** Den/de oppgitte verdien(e) for genererte vibrasjoner har blitt målt i henhold til standard testmetoder, og kan bli brukt til å sammenligne ett verktøy med et annet.

**MERK:** Den/de angitte verdien(e) for de genererte vibrasjonene kan også brukes til en foreløpig vurdering av eksponeringen.

**⚠ ADVARSEL: Bruk hørselsvern.**

**⚠ ADVARSEL: De genererte vibrasjonene ved faktisk bruk av elektroverktøyet kan avvike fra den/de angitte vibrasjonsverdien(e), avhengig av hvordan verktøyet brukes.**

**⚠ ADVARSEL: Sørg for å identifisere vernetiltak for å beskytte operatøren, som er basert på et estimat av eksponeringen under de faktiske bruksforholdene (idet det tas hensyn til alle deler av driftssyklusen, dvs. hvor lenge verktøyet er slått av, hvor lenge det går på tomgang og hvor lenge startbryteren faktisk holdes trykket).**

## Vibrasjoner

Den totale vibrasjonsverdien (triaksial vektorsum) bestemt i henhold EN62841-2-4:

### Modell DBO480

Arbeidsmodus: metallplate for pussing (kvadratisk fot)

Genererte vibrasjoner ( $a_h$ ): 2,5 m/s<sup>2</sup> eller mindre

Usikkerhet (K): 1,5 m/s<sup>2</sup>

Arbeidsmodus: slিপemettallplate

Genererte vibrasjoner ( $a_h$ ): 4,1 m/s<sup>2</sup>

Usikkerhet (K): 1,5 m/s<sup>2</sup>

### Modell DBO481

Arbeidsmodus: metallplate for pussing (kvadratisk fot)

Genererte vibrasjoner ( $a_h$ ): 2,5 m/s<sup>2</sup> eller mindre

Usikkerhet (K): 1,5 m/s<sup>2</sup>

### Modell DBO482

Arbeidsmodus: metallplate for pussing (kvadratisk fot)

Genererte vibrasjoner ( $a_h$ ): 3,4 m/s<sup>2</sup>

Usikkerhet (K): 1,5 m/s<sup>2</sup>

**MERK:** Den/de oppgitte verdi(n)e for totalt genererte vibrasjoner har blitt målt i henhold til standard testmetoder, og kan bli brukt til å sammenligne ett verktøy med et annet.

**MERK:** Den/de angitte verdi(n)e for totalt genererte vibrasjoner kan også brukes til en foreløpig vurdering av eksponeringen.

**⚠ ADVARSEL:** De genererte vibrasjonene ved faktisk bruk av elektroverktøyet kan avvike fra den/de angitte vibrasjonsverdien(e), avhengig av hvordan verktøyet brukes og spesielt i forhold til arbeidsstykket som blir behandlet.

**⚠ ADVARSEL:** Sørg for å identifisere vernetiltak for å beskytte operatøren, som er basert på et estimat av eksponeringen under de faktiske bruksforholdene (idet det tas hensyn til alle deler av driftssyklusen, dvs. hvor lenge verktøyet er slått av, hvor lenge det går på tomgang og hvor lenge startbryteren faktisk holdes trykket).

## EFs samsvarserklæring

*Gjelder kun for land i Europa*

EFs samsvarserklæring er lagt til som vedlegg A i denne bruksanvisningen.

## SIKKERHETSADVARSEL

### Generelle advarsler angående sikkerhet for elektroverktøy

**⚠ ADVARSEL:** Les alle sikkerhetsadvarsler, instruksjoner, illustrasjoner og spesifikasjoner som følger med dette elektroverktøyet. Hvis ikke alle instruksjonene nedenfor følges, kan det forekomme elektrisk støt, brann og/eller alvorlig skade.

### Oppbevar alle advarsler og instruksjoner for senere bruk.

Uttrykket «elektrisk verktøy» i advarslene refererer både til elektriske verktøy (med ledning) tilkoblet strømmettet, og batteridrevne verktøy (uten ledning).

## Sikkerhetsanvisninger for slīpemasking

1. Du må alltid bruke vernebriller eller ansiktsvern. Vanlige briller eller solbriller er IKKE vernebriller.
2. Hold godt fast i verktøyet.
3. Ikke gå fra verktøyet mens det er i gang. Verktøyet må bare brukes mens operatøren holder det i hendene.
4. Denne maskinen er ikke vanntett, så ikke bruk vann på arbeidsstykket.
5. Ventil arbeidsområdet skikkelig når du pusser noe.
6. Enkelte materialer inneholder kjemikalier som kan være giftige. Treff tiltak for å hindre hudkontakt og innånding av støv. Følg leverandørens sikkerhetsanvisninger.
7. Ved bruk av denne maskinen til å pusse non produkter, maling og tre, kan brukeren bli utsatt for støv fra farlige stoffer. Bruk passende pustebeskyttelse.
8. Før du begynner å bruke rondellen, må du undersøke den for sprekker eller andre skader. Sprekker eller skader kan resultere i helseskader.
9. Se hvor du går og hold balansen med verktøyet. Forviss deg om at ingen står under deg når du jobber høyt over bakken.

## TA VARE PÅ DISSE INSTRUKSENE.

**⚠ ADVARSEL:** IKKE LA hensynet til hva som er "behagelig" eller det faktum at du kjenner produktet godt (etter mange gangers bruk) gjøre deg mindre oppmerksom på sikkerhetsreglene for bruken av det aktuelle produktet. Ved MISBRUK eller hvis ikke sikkerhetsreglene i denne bruksanvisningen følges, kan det oppstå alvorlig personskade.

## Viktige sikkerhetsanvisninger for batteriinnsetts

1. Før du begynner å bruke batteriet, må du lese alle anvisninger og forsiktighetsregler på (1) batteriladeren, (2) batteriet og (3) det produktet batteriet skal brukes i.
2. Ikke demonter eller tukle batteriet. Det kan føre til brann, overoppheting eller eksplosjon.
3. Hvis driftstiden er blitt vesentlig kortere, må du omgående slutte å bruke maskinen. Hvis ikke kan resultatet bli overoppheting, mulige forbrenninger eller til og med en eksplosjon.
4. Hvis du får elektrolytt i øynene, må du skylle dem med store mengder rennende vann og oppsøke lege med én gang. Denne typen uhell kan føre til varig blindhet.
5. Ikke kortslutt batteriet:
  - (1) De kan være ekstremt varme og du kan brenne deg.
  - (2) Ikke lagre batteriet i samme beholder som andre metallgjenstander, som for eksempel spiker, mynter osv.
  - (3) Ikke la batteriet komme i kontakt med vann eller regn.

En kortslutning av batteriet kan føre til et kraftig strømstøt, overoppvarming, mulige forbrenninger og til og med til at batteriet går i stykker.

- Ikke oppbevar og bruk verktøyet og batteriet på steder hvor temperaturen kan komme opp eller overskride 50 °C.
- Ikke sett fyr på batteriet, ikke engang om det er sterkt skadet eller helt utslitt. Batteriet kan eksplodere hvis det begynner å brenne.
- Du må ikke spikre, skjære, klemme, kaste eller miste batteriet, og heller ikke slå en hard gjenstand mot batteriet. En slik oppførsel kan føre til brann, overoppheting eller eksplosjon.
- Ikke bruk batterier som er skadet.
- Lithium-ion-batteriene som medfølger er gjenstand for krav om spesialavfall.  
For kommersiell transport, f.eks av tredjeparter eller speditører, må spesielle krav om pakking og merking følges.  
Før varen blir sendt, må du forhøre deg med en ekspert på farlig materiale. Ta også hensyn til muligheten for mer detaljerte nasjonale bestemmelser.  
Bruk teip eller maskeringsteip for å skjule åpne kontakter og pakk inn batteriet på en slik måte at den ikke kan bevege seg rundt i emballasjen.
- Når du kasserer batteriinnsetsen, må du ta den ut av verktøyet og avhende den på et sikkert sted. Følg lokale bestemmelser for avhengig av batterier.
- Bruk batteriene kun med produkter spesifisert av Makita. Montere batteriene i produkter som ikke er konforme kan føre til brann, overheting eller elektrolyttlekkasje.
- Hvis verktøyet ikke skal brukes over en lengre periode, må batteriet tas ut av verktøyet.
- Under og etter bruk kan batteriet bli varmt og før til brannskader. Vær forsiktig med håndteringen av varme batterier.
- Ikke berører terminalen på verktøyet rett etter bruk, da den kan bli varm og forårsake brannskader.
- Ikke la spon, støv eller jord sette seg fast i terminalene, hullene og sporene i batteriet. Det kan føre til at batteriet eller verktøyet blir overopphetet, begynner å brenne, sprekker eller ikke fungerer som det skal, og forårsake brannskader eller personskade.
- Med mindre verktøyet støtter bruk nær en høyspent strømlinje, skal ikke batteriet brukes nær en høyspent strømlinje. Det kan føre til en funksjonsfeil eller at verktøyet eller batteriet slutter å fungere.
- Oppbevar batteriet utilgjengelig for barn.

## TA VARE PÅ DISSE INSTRUKSENE.

**⚠FORSIKTIG:** Bruk kun originale Makita-batterier. Bruk av batterier som har endret seg, eller som ikke er originale Makita-batterier, kan føre til at batteriet sprekker og forårsaker brann, personskader og andre skader. Det vil også ugyldiggjøre garantien for Makita-verktøyet og -laderen.

## Tips for å opprettholde maksimal batterilevetid

- Lad batteriinnsetsen før den er helt utladet. Stopp alltid driften av verktøyet og lad batteriinnsetsen når du merker at effekten reduseres.
- Lad aldri en batteriinnsets som er fulladet. Overopplading forkorter batteriets levetid.
- Lad batteriet i romtemperatur ved 10 °C - 40 °C. Et varmt batteri må kjøles ned før lading.
- Når batteriet ikke er bruk, skal det tas ut av verktøyet eller laderen.
- Lad batteriet hvis det ikke har vært brukt på en lang stund (over seks måneder).

## FUNKSJONSBESKRIVELSE

**⚠FORSIKTIG:** Forviss deg alltid om at maskinen er slått av og batteriet tatt ut før du justerer maskinen eller kontrollerer dens mekaniske funksjoner.

### Sette inn eller ta ut batteri

**⚠FORSIKTIG:** Slå alltid av verktøyet før du setter inn eller fjerner batteriet.

**⚠FORSIKTIG:** Hold verktøyet og batteripatronen i et fast grep når du monterer eller fjerner batteripatronen. Hvis du ikke holder verktøyet og batteripatronen godt fast, kan du miste grepet, og dette kan føre til skader på verktøyet og batteripatronen samt personskader.

► Fig.1: 1. Rød indikator 2. Knapp 3. Batteriinnsets

For å ta ut batteriet må du skyve på knappen foran på batteriet og trekke det ut.

Når du skal sette inn batteriet, må du plassere tungen på batteriet på linje med sporet i huset og skyve batteriet på plass. Skyv det helt inn til det går i inngrep med et lite klikk. Hvis du kan se den røde indikatoren som vist i figuren, er det ikke helt låst.

**⚠FORSIKTIG:** Batteriet må alltid settes helt inn, så langt at den røde indikatoren ikke lenger er synlig. Hvis dette ikke gjøres, kan batteriet falle ut av verktøyet og skade deg eller andre som oppholder seg i nærheten.

**⚠FORSIKTIG:** Ikke bruk makt når du setter i batteriet. Hvis batteriet ikke glir lett inn, er det fordi det ikke settes inn på riktig måte.

## Indikere gjenværende batterikapasitet

### Kun for batterier med indikatoren

► **Fig. 2:** 1. Indikatorlamper 2. Kontrollknapp

Trykk på sjekk-knappen på batteriet for vise gjenværende batterikapasitet. Indikatorlampene lyser i et par sekunder.

| Indikatorlamper |    |        | Gjenværende batterinivå   |
|-----------------|----|--------|---------------------------|
| Tent            | Av | Bliker |                           |
| ■               | □  | ▤      |                           |
| ■ ■ ■ ■         |    |        | 75 % til 100 %            |
| ■ ■ ■ □         |    |        | 50 % til 75 %             |
| ■ ■ □ □         |    |        | 25 % til 50 %             |
| ■ □ □ □         |    |        | 0 % til 25 %              |
| ▤ □ □ □         |    |        | Lad batteriet.            |
| ■ ■ □ □         |    |        | Batteriet kan ha en feil. |
| □ □ ■ ■         |    |        |                           |

**MERK:** Det angitte nivået kan avvike noe fra den faktiske kapasiteten alt etter bruksforholdene og den omgivende temperaturen.

**MERK:** Den første (helt til venstre) indikatorlampe vil blike når batterivernsystemet fungerer.

## Batterivernsystem for verktøy/batteri

Verktøyet er utstyrt med et batterivernsystem for verktøy/batteri. Dette systemet kutter automatisk strømmen til motoren for å forlenge verktøyets og batteriets levetid. Verktøyet stopper automatisk under drift hvis verktøyet eller batteriet utsettes for en av følgende tilstander:

### Overlastsikring

Når verktøyet eller batteriet brukes på en måte som gjør at det bruker unormalt mye strøm, vil verktøyet stanse automatisk og uten forvarsel. Hvis dette skjer, må du slå av verktøyet og avslutte bruken som forårsaket at verktøyet ble overbelastet. Slå deretter verktøyet på for å starte det igjen.

### Overopphetingsvern

Når verktøyet eller batteriet blir overopphetet, stanse verktøyet automatisk. I dette tilfellet lar du verktøyet og batteriet avkjøles før du starter verktøyet på nytt.

## Overutladingsvern

Når det blir batterikapasiteten er utilstrekkelig, stopper verktøyet automatisk. I så fall fjerner du batteriet fra verktøyet og lader det.

## Vern mot andre årsaker

Vernesystemet er også laget for beskyttelse av andre grunner som kan skade verktøyet og gjøre at det stanse automatisk. Ta alle de følgende forholdsreglene for å fjerne årsakene til at verktøyet har stanset midlertidig mens det er i drift.

1. Skru av verktøyet og sår skruer du verktøyet på igjen for å starte på nytt.
2. Lad opp batteriet/ene eller skift det/dem ut med oppladde batteri(er).
3. La både verktøyet og batteriet/ene kjøle seg ned.

Hvis det ikke blir noen bedring ved å gjenopprette vernesystemet, ta kontakt med det lokale Makita servicesenteret.

## Bryterfunksjon

**⚠FORSIKTIG:** Ikke skru på verktøyet mens det hviler på arbeidsstykket eller på arbeidsbenken. Det kan forårsake personskader eller materielle skader.

## Skru verktøyet på og av

Trykk på strøm-/turtallsknappen for å starte verktøyet. Verktøyet begynner å kjøre på høyeste omløpshastighet.

Trykk stoppknappen for å stoppe verktøyet.

► **Fig. 3:** 1. Strøm-/turtallsknapp 2. Stoppknapp

## Endre verktøyets turtall

Omløpshastigheten kan veksles mellom to modier, høy og lav. Velg modus avhengig av bruksområde og arbeidsbelastning.

Trykk på strøm-/turtallsknappen for å bytte hastighetsmodus mens verktøyet er i gang.

► **Fig. 4:** 1. Strøm-/turtallsknapp

### Tabell for turtallsinnstillinger

| Turtall | Omløp per minutt                |
|---------|---------------------------------|
| 2 (Høy) | 14 000 min <sup>-1</sup> (/min) |
| 1 (lav) | 11 000 min <sup>-1</sup> (/min) |

**OBS:** Hvis verktøyet brukes lenge og kontinuerlig ved lavt turtall, vil motoren bli overbelastet og slutte å virke som den skal.

**OBS:** Velg riktig turtallsområde for sliping og skal utføre slik at du unngår at arbeidsstykket blir overopphetet og smelter. Arbeidsstykket kan bli varmt under sliping ved høy omløpshastighet, slik at det smelter på kontaktpunktet.



# MONTERING

**⚠FORSIKTIG:** Forviss deg alltid om at maskinen er slått av og batteriet tatt ut før du utfører noe arbeid på maskinen.

## Montere og fjerne slipepapir

**⚠FORSIKTIG:** Kontroller alltid at et ark med slipepapir er satt godt på før bruk. Ellers kan papiet løsne, falle av eller forskyve seg, slik at sliperesultatet blir ujevnt.

**MERK:** Det er lettere å feste papiet hvis det brettes på forhånd.

## Bruke slipepapir uten støvsugehull

1. Klipp et ark med slipepapir ned til passende størrelse.  
▶ **Fig.5:** 1. Slipepapir 2. Pute
2. Trykk på og hold nede klemmespaken på enten fremre eller bakre ende av puten, og skyv den bort fra stopperen slik at klemmen frigjøres fra låst stilling.
3. Trekk klemmespaken utover så langt den går, slik at det oppstår et mellomrom mellom klemmen og slipefoten der den ene enden av slipepapiret kan skyves inn.
4. Skyv den ene enden av slipepapiret inn i mellomrommet mellom klemmen og slipefoten.
5. Flytt på slipepapiret slik at det ligger nøyaktig plassert på putens overflate.
6. Sett klemmespaken tilbake i låst stilling slik at du kan klemme enden av slipepapiret godt på plass.
7. Frigjør klemmen i den andre enden, og gjør den andre enden av slipepapiret klart til å bli klemt fast.
8. Stram slipepapiret godt, og sett deretter klemmespaken i den andre enden i låst stilling.  
▶ **Fig.6:** 1. Slipepapir 2. Klemme 3. Slipefot  
4. Klemmespak 5. Stopper
9. Dekk slipepapiret med hullplaten, slik at posisjoneringsstopperne grenser til hjørnet, godt plassert inn i to av sidekantene på puten og slipefoten.  
▶ **Fig.7:** 1. Slipepapir 2. Hullplate  
3. Posisjoneringsstopper 4. Pute 5. Slipefot
10. Skyv hullplaten over slipepapiret for å lage støvsugehull.
11. Når du skal fjerne slipepapiret, frigjør du klemmene i begge ender og tar papiet av puten.

## Bruke slipepapir med støvsugehull

### Valgfritt tilbehør

1. Trykk på og hold nede klemmespaken på enten fremre eller bakre ende av puten, og skyv den bort fra stopperen slik at klemmen frigjøres fra låst stilling.
2. Trekk klemmespaken utover så langt den går, slik at det oppstår et mellomrom mellom klemmen og slipefoten der den ene enden av slipepapiret kan skyves inn.
3. Plasser et ark med slipepapir over puten, samtidig som du innretter støvsugehullene i papiet med hullene i puten.  
▶ **Fig.8:** 1. Slipepapir 2. Pute 3. Støvsugehull

4. Skyv den ene enden av slipepapiret inn i mellomrommet mellom klemmen og slipefoten.
5. Sett klemmespaken tilbake i låst stilling slik at enden av slipepapiret klemmes godt på plass.
6. Frigjør klemmen i den andre enden, og gjør den andre enden av slipepapiret klart til å bli klemt fast.
7. Stram slipepapiret godt, og sett deretter klemmespaken i den andre enden i låst stilling.  
▶ **Fig.9:** 1. Slipepapir 2. Klemme 3. Slipefot  
4. Klemmespak 5. Stopper
8. Når du skal fjerne slipepapiret, frigjør du klemmene i begge ender og tar papiet av puten.

## Bruke slipepapir med borrelås

**⚠FORSIKTIG:** Sørg for at en pute med borrelås settes riktig på og festes godt. Et løst tilbehør vil gå ut av balanse og føre til for mye vibrasjon, hvilket kan føre til tap av kontroll.

**⚠FORSIKTIG:** Kontroller at en borrelåspute og et slipepapir er innrettet og godt festet.

**⚠FORSIKTIG:** Bruk bare slipepapir med borrelås. Bruk aldri trykkløse slipepapir.

### For DBO480

1. Fjern alt smuss og alle fremmedlegemer fra borrelåsputen.
2. Fest et ark med valgfritt slipepapir med borrelås over puten, samtidig som du innretter støvsugehullene i papiet med hullene i puten.  
▶ **Fig.10:** 1. Slipepapir 2. Pute 3. Støvsugehull
3. Fjern slipepapiret ved å trekke det av fra kanten.

### For DBO481 og DBO482

**OBS:** Det kan hende at dekelet eller O-ringen kommer ut av slipefoten når puten skiftes ut. Sørg for at du setter dekelet eller O-ringen tilbake i det sirkelformede hullet eller sporet rundt midten av foten før den valgfrie puten settes på.

### DBO481

- ▶ **Fig.11:** 1. Deksel 2. Slipefot 3. Sirkelformet hull

### DBO482

- ▶ **Fig.12:** 1. O-ring 2. Slipefot 3. Sirkelformet spor

1. Løsne og fjern de fire skruene som fester puten til slipefoten.  
▶ **Fig.13:** 1. Skrue 2. Pute 3. Slipefot
2. Erstatt standardputen som følger med, med en valgfri pute med borrelås.
3. Stram skruene godt for å feste puten med borrelås på riktig måte.  
▶ **Fig.14:** 1. Slipepapir 2. Pute 3. Støvsugehull
4. Fjern alt smuss og alle fremmedlegemer fra borrelåsputen.
5. Fest et ark med valgfritt slipepapir med borrelås over puten, samtidig som du innretter støvsugehullene i papiet med hullene i puten.  
▶ **Fig.15:** 1. Slipepapir 2. Pute 3. Støvsugehull
6. Fjern slipepapiret ved å trekke det av fra kanten.

## Bruke trekantet/rektangulært slipepapir

### Valgfritt tilbehør

**⚠️FORSIKTIG:** Sørg for at en pute med borrelås settes riktig på og festes godt. Et løst tilbehør vil gå ut av balanse og føre til for mye vibrasjon, hvilket kan føre til tap av kontroll.

**⚠️FORSIKTIG:** Kontroller at en borrelåspute og et slipepapir er innrettet og godt festet.

**⚠️FORSIKTIG:** Bruk bare slipepapir med borrelås. Bruk aldri trykkfølsomme slipepapir.

**OBS:** Det kan hende at dekselet eller O-ringen kommer ut av slipefoten når puten skiftes ut. Sørg for at du setter dekselet eller O-ringen tilbake i det sirkelformede hullet eller sporet rundt midten av foten før den valgfrie puten settes på.

### DBO480, DBO481

► Fig.16: 1. Deksel 2. Slipefot 3. Sirkelformet hull

### DBO482

► Fig.17: 1. O-ring 2. Slipefot 3. Sirkelformet spor

1. Løsne og fjern de fire skruene som fester puten til slipefoten.

► Fig.18: 1. Skruer 2. Pute 3. Slipefot

2. Erstatt standardputen med en trekantet/rektangulær pute.

3. Stram skruene godt for å feste den trekantede/rektangulære puten.

### Trekantet pute

► Fig.19: 1. Skruer 2. Trekantet pute 3. Slipefot

Du kan montere slipepapiret på siden av puten slik som i illustrasjonen.

► Fig.20: 1. Slipepapir 2. Pute

### Rektangulær pute

► Fig.21: 1. Skruer 2. Rektangulær pute 3. Slipefot

4. Fjern alt smuss og alle fremmedlegemer fra den trekantede/rektangulære puten.

5. Fest et ark med valgfritt slipepapir med borrelås over den trekantede/rektangulære puten, samtidig som du innretter støvsugehullene i papiret med hullene i puten.

### Trekantet pute

► Fig.22: 1. Slipepapir 2. Trekantet pute  
3. Støvsugehull

### Rektangulær pute

► Fig.23: 1. Slipepapir 2. Rektangulær pute  
3. Støvsugehull

6. Fjern slipepapiret ved å trekke det av fra kanten.

## Montere og fjerne støvposen

### Valgfritt tilbehør

Fest støvposen over det koniske støvutløpet bakerst på motorhuset. Sett posens støvinntak så langt inn på støvutløpet som det går for å unngå at det faller av under bruk.

► Fig.24: 1. Støvutløp 2. Støvinntak 3. Støvpose

**OBS:** Ikke hold i støvposen mens du bærer verktøyet. Verktøyet kan falle i bakken og bli ødelagt.

**MERK:** Optimal støvoppsamling sikres ved å tømme støvposen når den blir omtrent halvfull.

Ta av støvposen og fjern støvmunnstykket. Deretter rister eller dunker du støvposen forsiktig for å tømme den.

► Fig.25: 1. Støvmunnstykke

## Montere og fjerne støvboksen

### Valgfritt tilbehør

Fest støvboksen over det koniske støvutløpet bakerst på motorhuset. Sett posens støvinntak så langt inn på støvutløpet som det går for å unngå at det faller av under bruk.

► Fig.26: 1. Støvutløp 2. Støvinntak  
3. Støvmunnstykke 4. Støvboks

**OBS:** Ikke hold i støvboksen mens du bærer verktøyet. Verktøyet kan falle i bakken og bli ødelagt.

**MERK:** Optimal støvoppsamling sikres ved å tømme støvboksen når den blir omtrent halvfull.

1. Fjern støvboksen fra verktøyet.
2. Koble støvmunnstykket fra boksen samtidig som du trykker på og holder smekklåsene på begge sider av boksen.
3. Rist eller dunk støvboksen forsiktig for å tømme den.

## Bytte papirfilter

**OBS:** Sørg for å innrette logoene på støvboksen, filteret og støvmunnstykket i samme retning når komponentene settes sammen igjen.

1. Fjern støvboksen fra verktøyet.
2. Koble støvmunnstykket fra boksen samtidig som du trykker på og holder smekklåsene på begge sider av boksen.  
► Fig.27: 1. Støvmunnstykke 2. Støvboks  
3. Smekklås
3. Hold i den indre, øvre kanten på kartongåpningen, og trekk den av nedover for å løsne den ytre, øvre kanten på kartongåpningen fra den øvre hekketappen på støvboksens rand.

4. Ta papirfilteret ut av støvboksen samtidig som du trekker den ytre, nedre kanten på kartongåpningen løs fra den nedre heketappen.

► **Fig.28:** 1. Papirfilter 2. Kartongåpning 3. Øvre heketapp 4. Nedre heketapp 5. Støvboks

5. Skift ut et papirfilter ved å feste den nedre kanten på kartongåpningen i den nedre heketappen og skyve den øvre kanten innover til den klippes inn på den øvre heketappen.

► **Fig.29:** 1. Papirfilter 2. Kartongåpning 3. Øvre heketapp 4. Nedre heketapp 5. Støvboks

6. Smekk støvmunnstykket på plass samtidig som du trykker på og holder smekklåsene på begge sider av støvboksen.

► **Fig.30:** 1. Støvmunnstykke 2. Støvboks  
3. Smekklås

## Koble til støvsuger

### Valgfritt tilbehør

Hvis du vil slipe så rent som mulig, kan du koble en Makita-støvsuger til verktøyet. Bruk enten en valgfri slange på 28 mm eller en kombinasjon av fronthylse 22 og slangen som følger med støvsugeren for å opprette en tilkobling.

► **Fig.31:** 1. Støvutløp 2. Fronthylse 3. Slange  
4. Støvsuger

## BRUK

### Slipedrift

**⚠FORSIKTIG:** Sørg alltid for at arbeidsstykket er godt festet.

**OBS:** Verktøyet må aldri brukes uten slipepapir. Du kan gjøre stor skade på puten.

**OBS:** Bruk aldri makt på verktøyet. For stor kraft kan redusere slipeeffektiviteten, ødelegge slipepapiret og/eller forkorte verktøyets levetid.

Hold godt fast i verktøyet. Slå på verktøyet, og vent til det oppnår fullt turtall. Sett så maskinen forsiktig på overflaten av arbeidsstykket. En finslipemaskin brukes til å fjerne bare små mengder materiale av gangen. Siden kvaliteten av overflaten er viktigere enn mengden materiale som fjernes, må du ikke legge stort press på maskinen. Hold foten i flukt med arbeidsstykket til enhver tid.

► **Fig.32**

Du kan slipe materialet med øvre og nedre side av puten når du sliper med den trekantede/rektangulære puten. Dette er nyttig når du sliper en gjenstand som en luftventil.

► **Fig.33**

## VEDLIKEHOLD

**⚠FORSIKTIG:** Forviss deg alltid om at maskinen er slått av og batteriet tatt ut før du foretar inspeksjon eller vedlikehold.

**OBS:** Aldri bruk gasolin, bensin, tynner alkohol eller lignende. Det kan føre til misfarging, deformering eller sprekkdannelse.

For å opprettholde produktets SIKKERHET og PALITELIGHET, må reparasjoner, vedlikehold og justeringer utføres av autoriserte Makita servicesentre eller fabrikksservicesentre, og det må alltid brukes reservedeler fra Makita.

### Etter bruk

Tørk med jevne mellomrom over verktøyet med en tørr klut eller en klut som er lett fuktet med såpevann.

## VALGFRITT TILBEHØR

**⚠FORSIKTIG:** Det anbefales at du bruker dette tilbehøret eller verktøyet sammen med den Makita-maskinen som er spesifisert i denne håndboken. Bruk av annet tilbehør eller verktøy kan forårsake personskader. Tilbehør og verktøy må kun brukes til det formålet det er beregnet på.

Ta kontakt med ditt lokale Makita-servicesenter hvis du trenger mer informasjon om dette tilbehøret.

- Slipepapir (borrelås)
- Slipepapir (klemme)
- Kvadratisk pute (borrelås)
- Kvadratisk pute (klemme)
- Rektangulær pute
- Trekantet pute
- Støvpose
- Støvboks
- Filter
- Papirfilter
- Makita originalbatteri og lader

**MERK:** Enkelte elementer i listen kan være inkludert som standardtilbehør i verktøypakken. Elementene kan variere fra land til land.

## TEKNISET TIEDOT

| Malli:                          |                                      | DBO480   | DBO481 | DBO482       |
|---------------------------------|--------------------------------------|--|--------|--------------|
| Hioma-alustan koko              | Neliömäinen alusta                   | 112 mm x 102 mm  |        |              |
|                                 | Kolmiomainen alusta                  | 112 mm x 190 mm  |        |              |
|                                 | Suorakulmainen alusta                | 112 mm x 168,5 mm  |        |              |
| Hiomapaperi                     | Neliömäiselle alustalle (tarranauha) | 114 mm x 102 mm  |        |              |
|                                 | Neliömäiselle alustalle (puristin)   | 114 mm x 140 mm  |        |              |
|                                 | Kolmiomaiselle alustalle             | Suorakulmainen paperi: 114 mm x 102 mm<br>Kolmiomainen paperi: 96 mm |        |              |
|                                 | Suorakulmaiselle alustalle           | 112 mm x 168,5 mm, 112 mm x 66 mm                                    |        |              |
| Kierroksia per minuutti         | Korkea                               | 14 000 min <sup>-1</sup>   |        |              |
|                                 | Matala                               | 11 000 min <sup>-1</sup>   |        |              |
| Kokonaispituus (mukana BL1860B) |                                      | 171 mm   |        |              |
| Nimellisjännite                 |                                      | D.C. 18 V  |        |              |
| Nettopaino                      |                                      | 1,4 - 1,7 kg   |        | 1,4 - 1,8 kg |

- \* Vakioalusta vaihtelee maan mukaan.
- Jatkuvasta tutkimus- ja kehitystyöstämme johtuen esitetyt tekniset tiedot saattavat muuttua ilman erillistä ilmoitusta.
- Tekniset tiedot ja akkupaketti voivat vaihdella maittain.
- Paino voi olla erilainen lisävarusteista sekä akusta johtuen. EPTA-menettelytavan 01/2014 mukaisesti, taulukossa on kuvattu kevyin ja painavin laiteyhdistelmä.

### Käytettävä akkupaketti ja laturi

|             |  |
|-------------|--|
| Akkupaketti | BL1815N / BL1820B / BL1830B / BL1840B / BL1850B / BL1860B    |
| Laturi      | DC18RC / DC18RD / DC18RE / DC18SD / DC18SE / DC18SF / DC18SH |

- Tiettyjä yläpuolella kuvattuja akkuja ja latureita ei ehkä ole saatavana asuinalueestasi johtuen.

**VAROITUS:** Käytä vain edellä eriteltyjä akkupaketteja ja latureita. Muiden akkupakettien ja laturien käyttäminen voi aiheuttaa loukkaantumisen ja/tai tulipalon.

### Käyttötarkoitus

Työkalu on tarkoitettu suurten puu-, muovi- ja metallipintojen sekä maalattujen pintojen hiomiseen.

### Melutaso

Tyyppillinen A-painotettu melutaso määräytyy standardin EN62841-2-4 mukaan:

#### Malli DBO480

Äänenpainetaso ( $L_{pA}$ ): 75 dB (A)  
Virhemarginaali (K): 3 dB (A)

#### Malli DBO481

Äänenpainetaso ( $L_{pA}$ ): 75 dB (A)  
Virhemarginaali (K): 3 dB (A)

#### Malli DBO482

Äänenpainetaso ( $L_{pA}$ ): 75 dB (A)  
Virhemarginaali (K): 3 dB (A)

Työskentelyn aikana melutaso voi ylittää 80 dB (A).

**HUOMAA:** Ilmoitetut melutasoarvot on mitattu standarditestausten mukaisesti ja niiden avulla voidaan vertailla työkaluja keskenään.

**HUOMAA:** Ilmoitettuja melutasoarvoja voidaan käyttää myös altistumisen alustavaan arviointiin.

**VAROITUS:** Käytä kuulosuojaamia.

**VAROITUS:** Sähkötyökalun käytön aikana mitattu melutasoarvo voi poiketa ilmoitetuista arvoista laitteen käyttötavan ja erityisesti käsiteltävän työkappaleen mukaan.

**VAROITUS:** Selvitä käyttäjän suojaamiseksi tarvittavat varotoimet todellisissa käyttöolosuhteissa tapahtuvan arvioidun altistumisen mukaisesti (ottaen huomioon käyttöjaksot kokonaisuuudessaan, myös jaksot, joiden aikana laite on sammutettuna tai käy tyhjäkäynnillä).

## Tärinä

Kokonaistärinä (kolmen akselin vektorien summa) määräytyy standardin EN62841-2-4 mukaan:

### Malli DBO480

Työtila: metallilevyn hionta (neliömäinen alusta)  
Tärinäpäästö ( $a_n$ ): 2,5 m/s<sup>2</sup> tai alhaisempi  
Virhemarginaali (K): 1,5 m/s<sup>2</sup>  
Työtila: metallilevyn hionta  
Tärinäpäästö ( $a_n$ ): 4,1 m/s<sup>2</sup>  
Virhemarginaali (K): 1,5 m/s<sup>2</sup>

### Malli DBO481

Työtila: metallilevyn hionta (neliömäinen alusta)  
Tärinäpäästö ( $a_n$ ): 2,5 m/s<sup>2</sup> tai alhaisempi  
Virhemarginaali (K): 1,5 m/s<sup>2</sup>

### Malli DBO482

Työtila: metallilevyn hionta (neliömäinen alusta)  
Tärinäpäästö ( $a_n$ ): 3,4 m/s<sup>2</sup>  
Virhemarginaali (K): 1,5 m/s<sup>2</sup>

**HUOMAA:** Ilmoitetut kokonaistärinäarvot on mitattu standarditestausmenetelmän mukaisesti ja niiden avulla voidaan vertailla työkaluja keskenään.

**HUOMAA:** Ilmoitettuja kokonaistärinäarvoja voidaan käyttää myös altistumisen alustavaan arviointiin.

**VAROITUS:** Sähkötyökalun käytön aikana mitattu todellinen tärinäpäästöarvo voi poiketa ilmoitetuista arvoista laitteen käyttötavan ja erityisesti käsiteltävän työkalupaleen mukaan.

**VAROITUS:** Selvitä käyttäjän suojaamiseksi tarvittavat varoimet todellisissa käyttöolosuhteissa tapahtuvan arvioitun altistumisen mukaisesti (ottaen huomioon käyttöjakso kokonaisuudessaan, myös jaksot, joiden aikana laite on sammutettuna tai käy tyhjäkäynnillä).

## EY-vaatimustenmukaisuusvakuutus

### Koskee vain Euroopan maita

EY-vaatimustenmukaisuusvakuutus on liitetty tähän käyttöoppaaseen.

## TURVAROITUKSET

### Sähkötyökalujen käyttöä koskevat yleiset varoitukset

**VAROITUS:** Tutustu kaikkiin tämän sähkötyökalun mukana toimitettuihin varoituksiin, ohjeisiin, kuviin ja teknisiin tietoihin. Seuraavassa lueteltujen ohjeiden noudattamatta jättäminen saattaa johtaa sähköiskuun, tulipaloon tai vakavaan vammautumiseen.

### Säilytä varoitukset ja ohjeet tulevaa käyttöä varten.

Varoituksissa käytettävällä termillä "sähkötyökalu" tarkoitetaan joko verkkovirtaa käyttävää (johdollista) työkalua tai akkukäyttöistä (johdotonta) työkalua.

## Hiomakoneen turvallisuusohjeet

1. Käytä aina suojalaseja. Tavalliset silmä- tai aurinkolasit EIVÄT ole suojalaseja.
2. Ota koneesta luja ote.
3. Älä jätä konetta käymään itseksensä. Käytä laitetta vain silloin, kun pidät sitä kädessä.
4. Tätä työkalua ei ole suunniteltu vesitiiviiksi.
5. Tuuleta työskentelyalue hyvin, kun suoritat hiekkapaperihiontaa.
6. Jotkin materiaalit sisältävät kemikaaleja, jotka voivat olla myrkyllisiä. Huolehdi siitä, että pölyn sisäänhengittäminen ja ihokosketus estetään. Noudata materiaalin toimittajan turvaohjeita.
7. Tämän koneen käyttö joidenkin tuotteiden, maalin ja puun hiomiseen voi altistaa käyttäjän vahingollisia aineita sisältävälle pölylle. Käytä asianmukaista hengityssuojainta.
8. Varmista ennen käyttöä, ettei suojaimen pehmusteesta ole halkeamia tai murtumia. Halkeamat tai murtumat voivat aiheuttaa henkilövammoja.
9. Huolehdi jalansijasta ja säilytä tasapaino käsitellessäsi työkalua. Varmista, ettei kukaan ole alapuolella, kun työskentelet korkeissa paikoissa.

## SÄILYTÄ NÄMÄ OHJEET.

**VAROITUS:** ÄLÄ anna työkalun helppokäyttöisyyden (toistuvan käytön aikaansaama) johtaa sinua vääriin turvallisuuden tunteeseen niin, että laiminlyöt työkalun turvaohjeiden noudattamisen. VÄÄRINKÄYTTÖ tai tässä käyttöohjeessa ilmoitettujen turvamääräysten laiminlyönti voi aiheuttaa vakavia henkilövahinkoja.

## Akkupakettia koskevia tärkeitä turvaohjeita

1. Ennen akun käyttöönottoa tutustu kaikkiin laturissa (1), akussa (2) ja akkukäyttöisessä tuotteessa (3) oleviin varoitusteksteihin.
2. Älä pura tai peukaloi imuria akkupakettia. Se voi johtaa tulipaloon, ylikuumentumiseen tai räjähdykseen.
3. Jos akun toiminta-aika lyhenee merkittävästi, lopeta akun käyttö. Seurauksena voi olla ylikuumentuminen, palovammoja tai jopa räjähdys.
4. Jos akkunestettä pääsee silmiin, huuhtele puhtaalla vedellä ja hakeudu välittömästi lääkärin hoitoon. Akkuneste voi aiheuttaa näön menetyksen.
5. Älä oikosulje akkua.
  - (1) Älä koske akun napoihin millään sähköä johtavalla materiaalilla.
  - (2) Vältä akun oikosulkemista äläkä säilytä akkua yhdessä muiden metalliesineiden, kuten naulojen, kolikoiden ja niin edelleen kanssa.
  - (3) Älä aseta akkua alttiiksi vedelle tai sateelle.

Oikosulku voi aiheuttaa virtapiikin, ylikuumentumista, palovammoja tai laitteen rikkoontumisen.

- Älä säilytä ja käytä työkalua ja akkupakettia paikassa, jossa lämpötila voi nousta 50 °C:een (122 °F) tai korkeammaksi.
- Älä hävitä akkua polttamalla, vaikka se olisi pahoin vaurioitunut tai täysin loppuun kulunut. Avotuli voi aiheuttaa akun räjähtämisen.
- Älä naulaa, leikkaa, purista, heitä tai pudota akkupakettia tai iske sitä kovia esineitä vasten. Tällaiset toimet voivat johtaa tulipaloon, ylikuumentumiseen tai räjähdykseen.
- Älä käytä viallista akkua.
- Sisältyviä litium-ioni-akkuja koskevat vaarallisten aineiden lainsäädännön vaatimukset. Esimerkiksi kolmansien osapuolten huolintaliikkeiden tulee kaupallisissa kuljetuksissa noudattaa pakkaamista ja merkintöjä koskevia erityisvaatimuksia. Lähetettävän tuotteen valmistelu edellyttää vaarallisten aineiden asiantuntijan neuvontaa. Huomioi myös mahdollisesti yksityiskohtaisemmat kansalliset määräykset. Akun avoimet liittimet tulee suojata teipillä tai suojuksella ja pakkaaminen tulee tehdä niin, ettei akku voi liikkua pakkauksessa.
- Kun akkupaketti on hävitettävä, poista se laitteesta ja hävitä se turvallisesti. Hävitä akku paikallisten määräysten mukaisesti.
- Käytä akkuja vain Makitan ilmoittamien tuotteiden kanssa. Akkujen asentaminen yhteensopimattomiin tuotteisiin voi aiheuttaa tulipalon, liiallisen ylikuumentumisen, räjähdyksen tai akkunestevuotoja.
- Jos laitetta ei käytetä pitkään aikaan, akku on poistettava laitteesta.
- Akkupaketin lämpötila voi käytön aikana ja sen jälkeen nousta niin kuumaksi, että se voi aiheuttaa palovammoja tai lieviä palovammoja. Käsittele kuumia akkupaketteja huolellisesti.
- Älä kosketa työkalun liittintä välittömästi käytön jälkeen, sillä se voi olla riittävän kuuma aiheuttamaan palovammoja.
- Älä päästä lastuja, pölyä tai maata akkupaketin liittimiin, aukkoihin ja uriin. Se voi johtaa työkalun tai akkupaketin lämpenemiseen, syttymiseen, purkautumiseen tai toimintahäiriöön, mikä voi aiheuttaa palovammoja tai vammoja.
- Ellei työkalu tue käyttöä korkeajännitelinjojen lähellä, älä käytä akkupakettia korkeajännitelinjojen lähellä. Se voi johtaa työkalun tai akkupaketin toimintahäiriöön tai rikkoutumiseen.
- Pidä akku poissa lasten ulottuvilta.

## SÄILYÄ NÄMÄ OHJEET.

**HUOMIO:** Käytä vain alkuperäisiä Makita-akkuja. Muiden kuin aitojen Makita-akkujen, tai mahdollisesti muutettujen akkujen käyttö voi johtaa akun murtumiseen ja aiheuttaa tulipaloja, henkilö- ja omaisuusvahinkoja. Se mitätöi myös Makita-tökalun ja -laturin Makita-takuun.

## Vihjeitä akun käyttöön pidentämiseksi

- Lataa akku ennen kuin se purkautuu täysin. Lopeta aina työkalun käyttö ja lataa akku, jos huomaat työkalun tehon vähenevän.
- Älä koskaan lataa uudestaan täysin ladattua akkua. Ylilataaminen lyhentää akun käyttöikää.
- Lataa akku huoneen lämpötilassa välillä 10 °C - 40 °C. Anna kuumen akku jäähtyä ennen lataamista.
- Irrota akkupaketti työkalusta tai laturista, kun sitä ei käytetä.
- Lataa akkupaketti, jos et käytä sitä pitkään aikaan (yli kuusi kuukautta).

## TOIMINTOJEN KUVAUS

**HUOMIO:** Varmista aina ennen säätöjä ja tarkastuksia, että työkalu on sammutettu ja akkupaketti irrotettu.

## Akun asentaminen tai irrottaminen

**HUOMIO:** Sammuta työkalu aina ennen akun kiinnittämistä tai irrottamista.

**HUOMIO:** Pidä työkalusta ja akusta tiukasti kiinni, kun irrotat tai kiinnität akkua. Jos akkupaketti tai työkalu putoaa, ne voivat vaurioitua tai aiheuttaa tapaturman.

- Kuva1: 1. Punainen ilmaisin 2. Painike  
3. Akkupaketti

Irrota akku painamalla akun etupuolella olevaa painiketta ja vetämällä akku ulos työkalusta.

Akkupaketti asetetaan paikalleen sovitamalla akkupaketin kieleke rungon uraan ja työntämällä se sitten paikalleen. Työnnä se pohjaan asti niin, että kuulet sen napsahtavan paikoilleen. Jos näet kuvan mukaisen punaisen ilmaisimen, lukitus ei ole täysin pitävä.

**HUOMIO:** Työnnä akkupaketti aina pohjaan asti, niin että punainen ilmaisin ei enää näy. Jos akkupaketti ei ole kunnolla paikallaan, se voi pudota työkalusta ja aiheuttaa vammoja joko sinulle tai sivullisille.

**HUOMIO:** Älä käytä voimaa akun asennuksessa. Jos akku ei liu'u paikalleen helposti, se on väärässä asennossa.

## Akun jäljellä olevan varaustason ilmaisin

Vain akkupaketeille ilmaisimella

► Kuva2: 1. Merkkivalot 2. Tarkistuspainike

Painamalla tarkistuspainiketta saat näkyviin akun jäljellä olevan varauksen. Merkkivalot palavat muutaman sekunnin ajan.

| Merkkivalot |             |         | Akussa jäljellä olevan varaus            |
|-------------|-------------|---------|--|
| Palaa       | Pois päältä | Viilkuu |  |
| ■           | □           | ▧       | 75% - 100%                               |
| ■           | ■           | ■       |  |
| ■           | ■           | □       |  |
| ■           | □           | □       |  |
| ■           | □           | □       |  |
| ■           | □           | □       |  |
| ▧           | □           | □       | Lataa akku.                              |
| ■           | ■           | □       | Akussa on saattanut olla toimintahäiriö. |
| □           | □           | ■       |  |

**HUOMAA:** Ilmoitettu varaustaso voi erota hieman todellisesta varaustasosta sen mukaan, millaisissa oloissa ja missä lämpötilassa laitetta käytetään.

**HUOMAA:** Ensimmäinen (vasemmanpuoleisin) merkkivalo vilkkuu, kun akun suojausjärjestelmä on toiminnassa.

## Työkalun/akun suojausjärjestelmä

Työkalu on varustettu työkalu/akun suojausjärjestelmällä. Tämä järjestelmä pidentää työkalun ja akun käyttöikää katkaisemalla automaattisesti moottorin virran. Työkalu pysähtyy automaattisesti kesken käytön, jos työkalussa tai akussa ilmenee jokin seuraavista tilanteista:

### Ylikuormitussuoja

Kun laitetta tai akkua käytetään tavalla, joka saa sen kuluttamaan epätavallisen suuren määrän virtaa, laite pysähtyy automaattisesti ilman mitään merkkivaloa tai ilmaisinta. Katkaise tässä tilanteessa laitteesta virta ja lopeta ylikuormitustilan aiheuttanut käyttö. Käynnistä sitten laite uudelleen kytkemällä siihen virta.

### Ylikuumenemissuoja

Kun laite tai akku ylikuumentee, laite pysähtyy automaattisesti. Anna silloin laitteeseen tai akun jäähtyä, ennen kuin kytket laitteen uudelleen virran.

## Ylipurkautumissuoja

Kun akun varaus on riittämätön, työkalu pysähtyy automaattisesti. Irrota silloin akku työkalusta ja lataa se.

## Suojaus muilta haitallisilta tapahtumilta

Suojausjärjestelmä on suunniteltu suojaamaan työkalu myös muilta tapahtumilta, jotka voisivat vahingoittaa työkalua, ja pysäyttämään työkalu automaattisesti tällaisissa tapauksissa. Kun työkalu tai sen toiminta on pysähtynyt tilapäisesti, poista pysäytyksen syyt seuraavien vaiheiden mukaisesti.

1. Käynnistä työkalu uudelleen sammuttamalla se ja kytkemällä se sitten uudelleen päälle.
2. Lataa akut tai vaihda ne ladattuihin akkuihin.
3. Anna työkalun ja akkujen jäähtyä.

Jos suojausjärjestelmän nollaaminen ei korjaa tilannetta, ota yhteys paikalliseen Makita-huoltoon.

## Kytkimen käyttäminen

**▲HUOMIO:** Vältä työkalun käynnistämistä sen ollessa työkappaleen päällä tai työpenkillä. Muutoin seurauksena voi olla henkilövahinkoja tai vaurioita.

## Työkalun kytkeminen päälle ja pois päältä

Kytke työkalu päälle painamalla virran/nopeudenvälinnan painiketta. Työkalu alkaa toimia suurimmalla kierrosnopeudella.

Pysäytä työkalu painamalla pysäytyspainiketta.

- Kuva3: 1. Virran/nopeudenvälinnan painike  
2. Pysäytyspainike

## Työkalun nopeuden muuttaminen

Kierrosnopeudelle on kaksi tilaa: korkea ja matala. Valitse jompikumpi tila kohteen ja kuormituksen mukaan.

Voit vaihtaa nopeutta työkalun toimiessa painamalla virran/nopeudenvälinnan painiketta.

- Kuva4: 1. Virran/nopeudenvälinnan painike

### Nopeusasetustaulukko

| Nopeus       | Kierroksia per minuutti         |
|--------------|---------------------------------|
| 2 (Korkea)   | 14 000 min <sup>-1</sup> (/min) |
| 1 (Alhainen) | 11 000 min <sup>-1</sup> (/min) |

**HUOMAUTUS:** Jos työkalua käytetään jatkuvasti pitkään matalalla nopeuksilla, moottori ylikuormittuu aiheuttaen työkaluun toimintahäiriön.

**HUOMAUTUS:** Valitse hionatyölle sopiva nopeus, joka ei aiheuta ylikuumenemisen tai työkappaleen sulamisen vaaraa. Hiominen suurella kierrosnopeudella voi kuumentaa työkappaletta niin, että se alkaa sulaa.

# KOKOONPANO

**⚠HUOMIO:** Varmista aina ennen mitään työkalulle tehtäviä toimenpiteitä, että se on sammutettu ja akku irrotettu.

## Hiomapaperin asentaminen ja irrottaminen

**⚠HUOMIO:** Varmista aina ennen käyttöä, että hiomapaperiarki on lujasti kiinni. Muuten hiomapaperi voi löystyä, irrota helposti ja luistaa, mikä tekee hiomajäljestä epätasaisen.

**HUOMAA:** Hiomapaperi on helpompi kiinnittää, jos se taivutetaan etukäteen.

## Pölyn imuaukottoman hiomapaperin käyttö

- Leikkaa hiomapaperiarki sopivan kokoiseksi.  
▶ **Kuva5:** 1. Hiomapaperi 2. Hioma-alusta
- Paina ja pidä alhaalla hioma-alustan etu- tai takapäässä olevaa puristinvipua ja liu'uta sitä pidikkeestä pois päin, jotta puristin vapautuu lukituksesta.
- Vedä puristinvipua mahdollisimman kauas ulospäin, jotta puristimen ja hiomarungon sivuseinämän välille tulee rako hiomapaperin toisen pään asettamista varten.
- Aseta hiomapaperin toinen pää puristimen ja hiomarungon väliseen rakoön.
- Sijoita hiomapaperi hioma-alustan päälle.
- Aseta puristinvipu takaisin lukkoasentoon niin, että hiomapaperin pää kiinnittyy pitävästi.
- Vapauta toisen pään puristin ja aseta hiomapaperin toinen pää valmiiksi kiinni puristamista varten.
- Pidä hiomapaperi sopivan kireänä ja aseta sitten toisen pään puristinvipu lukkoasentoon.  
▶ **Kuva6:** 1. Hiomapaperi 2. Puristin 3. Hiomarunko 4. Puristinvipu 5. Pidike
- Peitä hiomapaperi lävistinlevyllä asettamalla levy niin, että sen reunassa olevat sijoituspidikkeet asettuvat hioma-alustan reunoja ja hiomarunkoa vasten.  
▶ **Kuva7:** 1. Hiomapaperi 2. Lävistinlevy 3. Sijoituspidikkeet 4. Hioma-alusta 5. Hiomarunko
- Leikkaa pölyn imuaukut hiomapaperiin painamalla lävistinlevy sitä vasten.
- Hiomapaperi irrotetaan avaamalla molempien päiden puristimet ja poistamalla hiomapaperi hioma-alustalta.

## Pölyn imuaukollisen hiomapaperin käyttö

### Valinnainen lisävaruste

- Paina ja pidä alhaalla hioma-alustan etu- tai takapäässä olevaa puristinvipua ja liu'uta sitä pidikkeestä pois päin, jotta puristin vapautuu lukituksesta.
- Vedä puristinvipua mahdollisimman kauas ulospäin, jotta puristimen ja hiomarungon sivuseinämän välille tulee rako hiomapaperin toisen pään asettamista varten.

- Aseta hiomapaperiarki hioma-alustan päälle niin, että paperissa olevat pölyn imuaukut asettuvat hioma-alustan vastaavien aukkojen kohdalle.

▶ **Kuva8:** 1. Hiomapaperi 2. Hioma-alusta 3. Pölyn imuaukko

- Aseta hiomapaperin toinen pää puristimen ja hiomarungon väliseen rakoön.
- Aseta puristinvipu takaisin lukkoasentoon niin, että hiomapaperin pää puristuu kiinni pitävästi.
- Vapauta toisen pään puristin ja aseta hiomapaperin toinen pää valmiiksi kiinni puristamista varten.
- Pidä hiomapaperi sopivan kireänä ja aseta sitten toisen pään puristinvipu lukkoasentoon.  
▶ **Kuva9:** 1. Hiomapaperi 2. Puristin 3. Hiomarunko 4. Puristinvipu 5. Pidike
- Hiomapaperi irrotetaan avaamalla molempien päiden puristimet ja poistamalla hiomapaperi hioma-alustalta.

## Tarranauhakiinnitteisen hiomapaperin käyttö

**⚠HUOMIO:** Varmista, että tarranauhakiinnitteen hioma-alusta on asennettu oikein ja pitävästi. Löysä kiinnitys aiheuttaa epätasaista käyntiä ja liiallista tärinää, mikä voi johtaa hallinnan menetykseen.

**⚠HUOMIO:** Varmista, että tarranauhakiinnitteiset hioma-alusta ja hiomapaperi on kohdistettu oikein ja kiinnitetty pitävästi.

**⚠HUOMIO:** Käytä vain tarranauhakiinnitteistä hiomapaperia. Älä koskaan käytä paineherkkää hiomapaperia.

### Mallille DBO480

- Poista tarranauhakiinnitteisestä hioma-alustasta kaikki lika ja vierasaineat.
- Aseta valinnainen tarranauhakiinniteinen hiomapaperiarki hioma-alustan päälle niin, että paperissa olevat pölyn imuaukut asettuvat hioma-alustan vastaavien aukkojen kohdalle.  
▶ **Kuva10:** 1. Hiomapaperi 2. Hioma-alusta 3. Pölyn imuaukut

- Hiomapaperi irrotetaan vetämällä se irti reunasta alkaen.

### Malleille DBO481 ja DBO482

**HUOMAUTUS:** Hiomarungon korkki tai O-rengas saattaa irrota, kun vaihdat hioma-alustan. Muista tällöin asettaa korkki tai O-rengas takaisin rungon keskellä olevaan pyöreään reikään tai pyöreään uraan ennen kuin asennat valinnaisen hioma-alustan.

### DBO481

▶ **Kuva11:** 1. Korkki 2. Hiomarunko 3. Pyöreä reikä

### DBO482

▶ **Kuva12:** 1. O-renkas 2. Hiomarunko 3. Pyöreä ura

- Löysennä ja irrota neljä ruuvia, jotka kiinnittävät hioma-alustan hiomarunkoon.  
▶ **Kuva13:** 1. Ruuvit 2. Hioma-alusta 3. Hiomarunko
- Vaihda vakioalustan tilalle valinnainen tarranauhakiinniteinen hioma-alusta.



3. Kiristä ruuvit lujasti, jotta tarranauhakiinnitteinen hioma-alusta pysyy paikallaan.  
**► Kuva14:** 1. Hiomapaperi 2. Hioma-alusta 3. Pölyn imuaukot
4. Poista tarranauhakiinnitteisestä hioma-alustasta kaikki liika ja vierasaineet.
5. Aseta valinnainen tarranauhakiinnitteinen hiomapaperiarikki hioma-alustan päälle niin, että paperissa olevat pölyn imuaukot asettuvat hioma-alustan vastaavien aukkojen kohdalle.  
**► Kuva15:** 1. Hiomapaperi 2. Hioma-alusta 3. Pölyn imuaukot
6. Hiomapaperi irrotetaan vetämällä se irti reunasta alkaen.

## Kolmiomaisen/suorakulmaisen hiomapaperin käyttö

### Valinnainen lisävaruste

**▲HUOMIO:** Varmista, että tarranauhakiinnitteinen hioma-alusta on asennettu oikein ja pitävästi. Löysä kiinnitys aiheuttaa epätasaista käyntiä ja liiallista värinää, mikä voi johtaa hallinnan menetykseen.

**▲HUOMIO:** Varmista, että tarranauhakiinnitteiset hioma-alusta ja hiomapaperi on kohdistettu oikein ja kiinnitetty pitävästi.

**▲HUOMIO:** Käytä vain tarranauhakiinnitteistä hiomapaperia. Älä koskaan käytä paineherkkää hiomapaperia.

**HUOMAUTUS:** Hiomarungon korkki tai O-rengas saattaa irrota, kun vaihdat hioma-alustan. Muista tällöin asettaa korkki tai O-rengas takaisin rungon keskellä olevaan pyöreään reikään tai pyöreään uraan ennen kuin asennat valinnaisen hioma-alustan.

### DBO480, DBO481

**► Kuva16:** 1. Korkki 2. Hiomarunko 3. Pyöreä reikä

### DBO482

**► Kuva17:** 1. O-rengas 2. Hiomarunko 3. Pyöreä ura

1. Löysennä ja irrota neljä ruuvia, jotka kiinnittävät hioma-alustan hiomarunkoon.  
**► Kuva18:** 1. Ruuvit 2. Hioma-alusta 3. Hiomarunko
2. Vaihda vakioalustan tilalle kolmiomainen/suorakulmainen hioma-alusta.
3. Kiristä ruuvit lujasti, jotta kolmiomainen/suorakulmainen hioma-alusta pysyy paikallaan.

### Kolmiomainen alusta

**► Kuva19:** 1. Ruuvit 2. Kolmiomainen alusta 3. Hiomarunko

Voit asentaa hiomapaperin hioma-alustan sivulle kuvan mukaisesti.

**► Kuva20:** 1. Hiomapaperi 2. Hioma-alusta

### Suorakulmainen alusta

**► Kuva21:** 1. Ruuvit 2. Suorakulmainen alusta 3. Hiomarunko

4. Poista kolmiomaisesta/suorakulmaisesta hioma-alustasta kaikki liika ja vierasaineet.

5. Aseta valinnainen tarranauhakiinnitteinen hiomapaperiarikki kolmiomaisen/suorakulmisen hioma-alustan päälle niin, että paperissa olevat pölyn imuaukot asettuvat hioma-alustan vastaavien aukkojen kohdalle.

### Kolmiomainen alusta

**► Kuva22:** 1. Hiomapaperi 2. Kolmiomainen alusta 3. Pölyn imuaukot

### Suorakulmainen alusta

**► Kuva23:** 1. Hiomapaperi 2. Suorakulmainen alusta 3. Pölyn imuaukot

6. Hiomapaperi irrotetaan vetämällä se irti reunasta alkaen.

## Pölypussin asentaminen ja irrottaminen

### Valinnainen lisävaruste

Kiinnitä pölypussi moottorin kotolon takana olevaan kartiomaiseen pölynokkaan. Työnnä pussin pölyliitin niin syväälle pölynokkaan kuin se menee, jotta se ei irtoa käytön aikana.

**► Kuva24:** 1. Pölynokka 2. Pölyliitin 3. Pölypussi

**HUOMAUTUS:** Älä pitele pölypussista kuljettaessasi työkalua. Muuten työkalu voi pudota ja vahingoittua.

**HUOMAA:** Jotta pölynkeruu toimisi parhaiten, tyhjennä pölypussi, kun se on noin puolillaan.

Irrota pölypussi työkalusta ja irrota pölysuutin.

Tyhjennä pölypussi ravistelemalla tai taputtamalla sitä kevyesti.

**► Kuva25:** 1. Pölysuutin

## Pölylokeron asentaminen ja irrottaminen

### Valinnainen lisävaruste

Kiinnitä pölylokeru moottorin kotolon takana olevaan kartiomaiseen pölynokkaan. Työnnä pussin pölyliitin niin syväälle pölynokkaan kuin se menee, jotta se ei irtoa käytön aikana.

**► Kuva26:** 1. Pölynokka 2. Pölyntuloaukko 3. Pölysuutin 4. Pölylokeru

**HUOMAUTUS:** Älä pitele pölylokerosta kuljettaessasi työkalua. Muuten työkalu voi pudota ja vahingoittua.

**HUOMAA:** Jotta pölynkeruu toimisi optimaalisesti, tyhjennä pölylokeru, kun se on täytynyt suunnilleen puolilleen.

1. Irrota pölylokeru työkalusta.

2. Irrota pölysuutin lokerosta pitämällä lokeron molemmin puolin olevia lukitussalpoja painettuina.

3. Tyhjennä pölylokeru ravistelemalla tai taputtamalla sitä kevyesti.

## Paperisuodattimen vaihtaminen

**HUOMAUTUS:** Pölylokerossa, paperisuodattimessa ja pölysuuttimessa olevien logojen tulee olla yhdenmukaisessa suunnassa osia koottaessa.

1. Irrota pölylokeron työkalusta.
2. Irrota pölysuutin lokerosta pitämällä lokeron molemmin puolin olevia lukitusosalpoja painettuina.  
► **Kuva27:** 1. Pölysuutin 2. Pölylokeron 3. Lukitusosalpo
3. Ota kiinni aukollisesta pahvista ja vedä sitä alaspäin niin, että aukollisen pahvin yläreuna irtoaa pölylokeron yläreunan kiinnityskielekkeestä.
4. Ota paperisuodatin pölylokerosta ja vedä samalla aukollisen pahvin alareunaa alareunan kiinnityskielekkeestä.  
► **Kuva28:** 1. Paperisuodatin 2. Aukollinen pahvi 3. Yläreunan kiinnityskieleke 4. Alareunan kiinnityskieleke 5. Pölylokeron
5. Vaihda paperisuodatin kiinnittämällä aukollisen pahvin alareuna alareunan kiinnityskielekkeeseen ja painamalla yläreunaa sisänpäin, kunnes se naksahuttaa yläreunan kiinnityskielekkeeseen.  
► **Kuva29:** 1. Paperisuodatin 2. Aukollinen pahvi 3. Yläreunan kiinnityskieleke 4. Alareunan kiinnityskieleke 5. Pölylokeron
6. Napsauta pölysuutin paikalleen pitämällä pölylokeron molemmin puolin olevia lukitusosalpoja painettuina.  
► **Kuva30:** 1. Pölysuutin 2. Pölylokeron 3. Lukitusosalpo

## Pölynimuriin kytkeminen

### Valinnainen lisävaruste

Kun haluat hionnan olevan siisti, kiinnitä työkaluun Makita-pölynimuri. Tee kytkentä käyttämällä joko valinnasta 28 mm:n letkua tai imurin mukana toimitettua etuholkkia 22 ja letkua.

- **Kuva31:** 1. Pölynokka 2. Etuholkki 3. Letku 4. Pölynimuri

## TYÖSKENTELY

### Hiomistoiminta

**HUOMIO:** Varmista aina, että työkalupäälle on kiinnitetty kiinni.

**HUOMAUTUS:** Älä koskaan käytä työkalua ilman hiomapaperia. Hioma-alusta voi vahingoittaa pahasti.

**HUOMAUTUS:** Älä koskaan käytä työkalua väkisin. Liiallinen voima voi heikentää hiontatehokkuutta, vahingoittaa hiomapaperia ja/tai lyhentää työkalun ikää.

Pitele työkalusta lujasti. Kytke työkalu päälle ja odota, että se saavuttaa täyden nopeuden. Aseta sitten työkalu varovasti työkalupäälle pinnalle. Viimeistelyhiomakoneella poistetaan yleensä vain pieni määrä materiaalia kerrallaan. Koska pinnan laatu on tärkeämpi kuin poistetun materiaalin määrä, älä liikuta työkalua voimalla. Hioma-alustan tulee olla aina samalla tasolla kuin työkalupäälle.

### ► Kuva32

Kolmiomaista/suorakulmaista alustaa käyttäessäsi voit käyttää hiomiseen alustan ylä- tai alapuolta. Tämä on kätevää hiohtaessa säleikön kaltaista esinettä.

### ► Kuva33

## KUNNOSSAPITO

**HUOMIO:** Varmista aina ennen tarkastusta tai huoltoa, että työkalu on sammutettu ja akku irrotettu.

**HUOMAUTUS:** Älä koskaan käytä bensiiniä, ohenteita, alkoholia tai tms. aineita. Muutoksen pinta voi halkeilla tai sen värit ja muoto voivat muuttua. Muutoksen laitteeseen voi tulla värjäytyksiä, muodon vääristymiä tai halkeamia.

Tuotteen TURVALLISUUDEN ja LUOTETTAVUUDEN takaamiseksi korjaukset, muut huoltotyöt ja säädöt on teetettävä Makitan valtuutetussa huoltopisteessä Makitan varaosia käyttäen.

### Käytön jälkeen

Pyyhi työkalu kuivalla tai kevyesti saippuaveden kostutetulla liinalla säännöllisin väliajoin.

## LISÄVARUSTEET

**HUOMIO:** Seuraavia lisävarusteita tai laitteita suositellaan käytettäväksi tässä ohjeessa kuvattujen Makita-tökalujen kanssa. Muiden lisävarusteiden tai laitteiden käyttö voi aiheuttaa henkilövahinkoja. Käytä lisävarusteita ja -laitteita vain niiden käyttötarkoituksen mukaisesti.

Jos tarvitset apua tai yksityiskohtaisempia tietoja seuraavista lisävarusteista, ota yhteys paikalliseen Makitan huoltoon.

- Hiomapaperi (tarranauha)
- Hiomapaperi (puristin)
- Neliömäinen alusta (tarranauha)
- Neliömäinen alusta (puristin)
- Suorakulmainen alusta
- Kolmiomäinen alusta
- Pölypuski
- Pölylokeron
- Suodatin
- Paperisuodatin
- Aito Makitan akku ja laturi

**HUOMAA:** Jotkin luettelossa mainitut varusteet eivät sisälly työkalun toimitukseen vakiovarusteina. Ne voivat vaihdella maittain.

## SPECIFIKATIONER

| Model:                      |   | DBO480  | DBO481       | DBO482 |
|-----------------------------|---|---|--------------|--------|
| Slibetallerkenens størrelse | Firkantet tallerken                     | 112 mm x 102 mm   |              |        |
|                             | Trekantet tallerken                     | 112 mm x 190 mm   |              |        |
|                             | Rektangulær tallerken                   | 112 mm x 168,5 mm   |              |        |
| Slibepapir                  | Til firkantet tallerken (krog og løkke) | 114 mm x 102 mm   |              |        |
|                             | Til firkantet tallerken (klemme)        | 114 mm x 140 mm   |              |        |
|                             | Til trekantet tallerken                 | Rektangulært papir: 114 mm x 102 mm<br>Trekantet papir: 96 mm |              |        |
|                             | Til rektangulær tallerken               | 112 mm x 168,5 mm, 112 mm x 66 mm                             |              |        |
| Omdrejninger per minut      | Høj                                     | 14.000 min <sup>-1</sup>                                      |              |        |
|                             | Lav                                     | 11.000 min <sup>-1</sup>                                      |              |        |
| Samlet længde (med BL1860B) |   | 171 mm  |              |        |
| Nominel spænding            |   | DC 18 V   |              |        |
| Nettovægt                   |   | 1,4 - 1,7 kg  | 1,4 - 1,8 kg |        |

- \* Standard slibetallerken er forskellig fra land til land.
- På grund af vores kontinuerlige forsknings- og udviklingsprogrammer kan hosstående specifikationer blive ændret uden varsel.
- Specifikationer og akku kan variere fra land til land.
- Vægten kan være anderledes afhængigt af tilbehøret, inklusive akkuen. Den letteste og tungeste kombination i henhold til EPTA-procedure 01/2014 er vist i tabellen.

## Anvendelig akku og oplader

|         |  |
|---------|--|
| Akku    | BL1815N / BL1820B / BL1830B / BL1840B / BL1850B / BL1860B    |
| Oplader | DC18RC / DC18RD / DC18RE / DC18SD / DC18SE / DC18SF / DC18SH |

- Nogle af de akkuer og opladere, der er angivet ovenfor, er muligvis ikke tilgængelige, afhængigt af hvilket område du bor i.

**⚠ ADVARSEL:** Brug kun de akkuer og opladere, der er angivet ovenfor. Brug af andre akkuer og opladere kan medføre personskaade og/eller brand.

### Tilsigtet anvendelse

Denne maskine er beregnet til slibning af større flader af træ, plast- og metalmaterialer samt malede overflader.

### Støj

Det typiske A-vægtede støjniveau bestem i overensstemmelse med EN62841-2-4:

#### Model DBO480

Lydtrykniveau ( $L_{pA}$ ): 75 dB (A)

Usikkerhed (K): 3 dB (A)

#### Model DBO481

Lydtrykniveau ( $L_{pA}$ ): 75 dB (A)

Usikkerhed (K): 3 dB (A)

#### Model DBO482

Lydtrykniveau ( $L_{pA}$ ): 75 dB (A)

Usikkerhed (K): 3 dB (A)

Støjniveauet under arbejdet kan overskride 80 dB (A).

**BEMÆRK:** De(n) angivne støjemissionsværdi(er) er målt i overensstemmelse med en standardtestmetode og kan anvendes til at sammenligne en maskine med en anden.

**BEMÆRK:** De(n) angivne støjemissionsværdi(er) kan også anvendes i en præliminær eksponeringsvurdering.

**⚠ ADVARSEL:** Bær høreværn.

**⚠ ADVARSEL:** Støjemissionen under den faktiske anvendelse af maskinen kan være forskellig fra de(n) angivne værdi(er), afhængigt af den måde hvorpå maskinen anvendes, især den type arbejdsemne der behandles.

**⚠ ADVARSEL:** Sørg for at identificere de sikkerhedsforskrifter til beskyttelse af operatøren, som er baseret på en vurdering af eksponering under de faktiske brugsforhold (med hensyntagen til alle dele i brugscyklussen, f.eks. de gange, hvor maskinen er slukket, og når den kører i tomgang i tilgift til afbrydertiden).

## Vibration

Vibrationens totalværdi (tre-aksial vektorsum) bestemt i overensstemmelse med EN62841-2-4:

### Model DBO480

Arbejdstilstand: slibning af metalplader (firkantet bund)

Vibrationsemission ( $a_v$ ): 2,5 m/s<sup>2</sup> eller mindre

Usikkerhed (K): 1,5 m/s<sup>2</sup>

Arbejdstilstand: slibning af metalplader

Vibrationsemission ( $a_v$ ): 4,1 m/s<sup>2</sup>

Usikkerhed (K): 1,5 m/s<sup>2</sup>

### Model DBO481

Arbejdstilstand: slibning af metalplader (firkantet bund)

Vibrationsemission ( $a_v$ ): 2,5 m/s<sup>2</sup> eller mindre

Usikkerhed (K): 1,5 m/s<sup>2</sup>

### Model DBO482

Arbejdstilstand: slibning af metalplader (firkantet bund)

Vibrationsemission ( $a_v$ ): 3,4 m/s<sup>2</sup>

Usikkerhed (K): 1,5 m/s<sup>2</sup>

**BEMÆRK:** De(n) angivne totalværdi(er) for vibration er målt i overensstemmelse med en standardtestmetode og kan anvendes til at sammenligne en maskine med en anden.

**BEMÆRK:** De(n) angivne totalværdi(er) for vibration kan også anvendes i en præliminær eksponeringsvurdering.

**⚠ ADVARSEL:** Vibrationsemissionen under den faktiske anvendelse af maskinen kan være forskellig fra de(n) angivne værdi(er), afhængigt af den måde hvorpå maskinen anvendes, især den type arbejdsemne der behandles.

**⚠ ADVARSEL:** Sørg for at identificere de sikkerhedsforskrifter til beskyttelse af operatøren, som er baseret på en vurdering af eksponering under de faktiske brugsforhold (med hensyntagen til alle dele i brugscyklussen, f.eks. de gange, hvor maskinen er slukket, og når den kører i tomgang i tilgift til afbrydertiden).

## EF-overensstemmelseserklæring

### Kun for lande i Europa

EF-overensstemmelseserklæringen er inkluderet som Bilag A i denne brugsanvisning.

## SIKKERHEDSADVARSLER

### Almindelige sikkerhedsregler for el-værktøj

**⚠ ADVARSEL:** Læs alle de sikkerhedsadvarsler, instruktioner, illustrationer og specifikationer, der følger med denne maskine. Forsømmelse af at overholde alle nedenstående instruktioner kan medføre elektrisk stød, brand og/eller alvorlig personskade.

## Gem alle advarsler og instruktioner til fremtidig reference.

Ordet "el-værktøj" i advarslerne henviser til det netforsynede (netledning) el-værktøj eller batteriforsynede (akku) el-værktøj.

## Sikkerhedsadvarsler for sliber

1. Anvend altid sikkerhedsbriller eller beskyttelsesbriller. Almindelige briller og solbriller er IKKE sikkerhedsbriller.
2. Hold godt fast i maskinen.
3. Maskinen må ikke køre uden opsyn. Maskinen må kun være i gang, når den holdes i hånden.
4. Denne maskine er ikke vandtæt. Anvend derfor aldrig vand på emnets overflade.
5. Hold arbejdsområdet tilstrækkeligt udluftet, når De udfører slibearbejde.
6. En del materialer indeholder kemikalier, som kan være giftige. Sørg for at forhindre inhalering af støv og kontakt med huden. Følg materialefabrikantens sikkerhedsforskrifter.
7. Anvendelse af denne maskine til slibning af visse produkter, maling og træ kan udsætte brugeren for støv, som indeholder farlige substanser. Brug passende åndedrætsbeskyttelse.
8. Forvis Dem om, inden maskinen tages i brug, at der ikke er nogen revner eller brud i slibetallerkenen. Revner eller brud kan medføre personskade.
9. Sørg for solid fodfæste, og hold altid balancen med maskinen. Sørg for, at der ikke befinder sig nogen under dig, når du arbejder på højtliggende steder.

## GEM DISSE FORSKRIFTER.

**⚠ ADVARSEL:** LAD IKKE bekvemmelighed eller kendskab til produktet (opnået gennem gentagen brug) forhindre, at sikkerhedsforskrifterne for produktet nøje overholdes. MISBRUG eller forsømmelse af at følge de i denne brugsvejledning givne sikkerhedsforskrifter kan medføre alvorlig personskade.

## Vigtige sikkerhedsinstruktioner for akkuen

1. Læs alle instruktioner og advarselsmærkater på (1) akku-opladeren, (2) akkuen og (3) produktet, som anvender akku.
2. Adskil eller ændr ikke akkuen. Det kan muligvis resultere i en brand, overdreven varme eller eksplosion.
3. Hold straks op med anvendelsen, hvis brugstiden er blevet stærkt afkortet. Fortsat anvendelse kan resultere i risiko for overophedning, forbrændinger og endog eksplosion.
4. Hvis De har fået elektrolytvæske i øjnene, skal De straks skylle den ud med rent vand og derefter øjeblikkeligt søge lægehjælp. I modsat fald kan De miste synet.

5. Vær påpasselig med ikke at komme til at kortslutte akkuen:
  - (1) Rør ikke ved terminalerne med noget ledende materiale.
  - (2) Udgå at opbevare akkuen i en beholder sammen med andre genstande af metal, for eksempel søm, mønter og lignende.
  - (3) Udsæt ikke akkuen for vand eller regn. Kortslutning af akkuen kan forårsage en kraftig øgning af strømmen, overophedning, mulige forbrændinger og endog værktøjstop.
6. Opbevar og brug ikke maskinen og akkuen på steder, hvor temperaturen muligvis kan nå eller overstige 50 °C.
7. Lad være med at brænde akkuen, selv ikke i tilfælde, hvor den har lidt alvorlig skade eller er fuldstændig udtjent. Akkuen kan eksplodere, hvis man forsøger at brænde den.
8. Slå ikke søm i, skær ikke i, knus, kast, tab ikke akkuen og stød ikke akkuen mod en hård genstand. Sådant adfærd kan muligvis resultere i en brand, overdreven varme eller eksplosion.
9. Anvend ikke en beskadiget akku.
10. De indbyggede litium-ion-batterier er underlagt lovkrav vedrørende farligt gods. Ved kommerciel transport, f.eks. af tredjeparts transportselskaber, skal særlige krav til forpakning og mærkning overholdes. Ved forberedelse af udstyret til forsendelse skal du kontakte en ekspert i farligt gods. Overhold også eventuel mere detaljeret national lovgivning. Tape eller tildæk åbne kontakter, og pak batteriet på en måde, så det ikke kan flytte sig rundt i pakningen.
11. Når akkuen bortskaffes, skal du fjerne den fra maskinen og bortskaffe den på et sikkert sted. Følg de lokale love vedrørende bortskaffelsen af batterier.
12. Brug kun batterierne med de produkter, som Makita specificerer. Hvis batterierne installeres i ikke-kompatible produkter, kan det medføre brand, kraftig varme, eksplosion eller udsivning af elektrolyt.
13. Hvis maskinen ikke skal bruges i længere tid ad gangen, skal du fjerne batteriet fra maskinen.
14. Akkuen kan muligvis under og efter brug være varm, hvilket kan forårsage forbrændinger eller lavtemperaturforbrændinger. Vær påpasselig med håndtering af varme akkuer.
15. Rør ikke terminalen på maskinen straks efter brug, da den bliver varm nok til at forårsage forbrændinger.
16. Sørg for, at spåner, støv eller jord ikke sætter sig fast i akkuens terminaler, huller og riller. Det kan forårsage opvarmning, antændelse, sprængning og funktionsfejl i maskinen eller akkuen, hvilket kan medføre forbrændinger eller personskade.
17. Medmindre maskinen understøtter brugen i nærheden af elektriske højspændingsledninger, skal du ikke anvende akkuen i nærheden af elektriske højspændingsledninger. Det kan muligvis medføre funktionsfejl på eller nedbrud af maskinen eller akkuen.
18. Opbevar batteriet utilgængeligt for børn.

**⚠FORSIGTIG:** Brug kun originale batterier fra Makita. Brug af uoriginale Makita-batterier, eller batterier som er blevet ændret, kan muligvis medføre brud på batteriet, hvilket kan forårsage brand, personskade eller beskadigelse. Det ugyldiggør også Makita-garantien for Makita-maskinen og opladeren.

## Tips til opnåelse af maksimal akku-levetid

1. Oplad akkuen, inden den er helt afladet. Stop altid værktøjet, og oplad akkuen, hvis De bemærker, at værktøjeffekten er aftagende.
2. Genoplad aldrig en fuldt opladet akku. Overopladning vil forkorte akkuens levetid.
3. Oplad akkuen ved stuetemperatur ved 10 °C - 40 °C. Lad altid en varm akku få tid til at køle af, inden den oplades.
4. Når du ikke anvender akkuen, skal du fjerne den fra maskinen eller opladeren.
5. Oplad akkuen, hvis De ikke skal bruge den i længere tid (mere end seks måneder).

## FUNKTIONSBESKRIVELSE

**⚠FORSIGTIG:** Sørg altid for at maskinen er slukket, og at akkuen er taget ud, før der udføres justering eller kontrol af funktioner på maskinen.

## Isætning eller fjernelse af akkuen

**⚠FORSIGTIG:** Sluk altid for værktøjet, før De monterer eller fjerner akkuen.

**⚠FORSIGTIG:** Hold værktøjet og akkuen fast ved montering eller fjernelse af akkuen. Hvis De ikke holder værktøjet og akkuen fast, kan de glide ud af hænderne på Dem og forårsage beskadigelse af værktøjet og akkuen eller personskade.

► Fig. 1: 1. Rød indikator 2. Knap 3. Akku

Akkuen fjernes ved, at De trækker den ud af værktøjet, idet De skyder knappen på forsiden af akkuen i stilling.

For at montere akkuen skal du justere tungen på akkuen med rillen i huset og skubbe den på plads. Indsæt den hele vejen, indtil den låses på plads med et lille klik. Hvis du kan se den røde indikator, som vist i figuren, er den ikke helt låst.

**⚠FORSIGTIG:** Monter altid akkuen helt, indtil den røde indikator ikke længere er synlig. Hvis dette ikke gøres, kan den falde ud af værktøjet ved et uheld, hvorved De selv eller personer i nærheden kan komme til skade.

**⚠FORSIGTIG:** Brug ikke magt ved montering af akkuen. Hvis akkuen ikke glider på plads uden problemer, betyder det, at den ikke sættes i på korrekt vis.

**GEM DENNE BRUGSANVISNING.**

## Indikation af den resterende batteriladning

### Kun til akkuer med indikatoren

► **Fig. 2:** 1. Indikatorlamper 2. Kontrolknop

Tryk på kontrolknappen på akkuen for at få vist den resterende batteriladning. Indikatorlampen lyser i nogle sekunder.

| Indikatorlamper |         |         | Resterende ladning                |
|-----------------|---------|---------|-----------------------------------|
| Tændt           | Slukket | Blinker |                                   |
| ■               | □       | ◐       | 75% til 100%                      |
| ■               | ■       | ■       | 50% til 75%                       |
| ■               | ■       | □       | 25% til 50%                       |
| ■               | □       | □       | 0% til 25%                        |
| ◐               | □       | □       | Genopladdet batteri.              |
| ■               | ■       | □       | Der er muligvis fejl i batteriet. |
| □               | □       | ■       |                                   |

**BEMÆRK:** Afhængigt af brugsforholdene og den omgivende temperatur kan indikationen afvige en smule fra den faktiske ladning.

**BEMÆRK:** Den første indikatorlampe (længst mod venstre) vil blinke, når batteribeskyttelsessystemet aktiveres.

## Beskyttelsessystem til værktøj/batteri

Maskinen er udstyret med et beskyttelsessystem til maskinen/batteriet. Dette system afbryder automatisk strømmen til motoren for at forlænge maskinens og batteriets levetid. Maskinen stopper automatisk under brugen, hvis maskinen eller batteriet udsættes for et af følgende forhold:

### Overbelastningsbeskyttelse

Hvis maskinen eller batteriet bruges på en måde, der får den/det til at trække en unormalt høj strøm, stopper maskinen automatisk uden indikation. Sluk i så fald for maskinen, og ophør med den anvendelse, som medførte, at maskinen blev overbelastet. Tænd derefter for maskinen for at starte den igen.

### Beskyttelse mod overophedning

Hvis maskinen eller batteriet bliver overophedet, stopper maskinen automatisk. Lad i så fald maskinen og batteriet køle ned, før der tændes for maskinen igen.

### Beskyttelse mod overafledning

Når batteriladningen er utilstrækkelig, stopper maskinen automatisk. Tag i så fald akkuen ud af maskinen, og oplad akkuen.

## Beskyttelse mod andre årsager

Beskyttelsessystemet er også designet til andre årsager, der kan beskadige maskinen og giver maskinen mulighed for at stoppe automatisk. Bønyt alle nedenstående trin for at fjerne årsagerne, når maskinen midlertidigt er blevet bragt til standsning eller sat ud af drift.

1. Sluk for maskinen, og tænd den derefter igen for at genstarte.
2. Genopladdet batteri/batterierne, eller udskift det/dem med genopladdet batteri/genopladede batterier.
3. Lad maskinen og batteriet/batterierne køle ned.

Hvis der ikke sker nogen forbedring ved at gen-danne beskyttelsessystemet, kontaktes det lokale Makita-servicecenter.

## Afbryderbetjening

**⚠FORSIGTIG:** Undgå at tænde maskinen, mens den er placeret på arbejdsområdet eller på arbejdsbænkene. Det kan forårsage personskade eller skade.

## Sådan tændes og slukkes maskinen

Tryk på tænd/sluk-/hastighedsvælgerknappen for at starte maskinen. Maskinen begynder at køre med sin højeste omløbs hastighed.

Tryk på stop-knappen for at stoppe maskinen.

- **Fig. 3:** 1. Tænd/sluk-/hastighedsvælgerknop  
2. Stopknop

## Ændring af maskinhastigheden

Omløbs hastigheden kan skiftes mellem to indstillinger; høj og lav. Vælg en af disse indstillinger afhængigt af brug og driftsbelastning.

Tryk på tænd/sluk-/hastighedsvælgerknappen for at skifte hastighedstilstand mens maskinen kører.

- **Fig. 4:** 1. Tænd/sluk-/hastighedsvælgerknop

Tablet med hastighedsindstillinger

| Hastighedsniveau | Omløb pr. minut          |
|------------------|--------------------------|
| 2 (Høj)          | 14.000 min <sup>-1</sup> |
| 1 (Lav)          | 11.000 min <sup>-1</sup> |

**BEMÆRKNING:** Hvis maskinen anvendes kontinuerligt ved lav hastighed i længere tid ad gangen, bliver motoren overbelastet med funktionsforstyrrelser til følge.

**BEMÆRKNING:** Vælg et egnet hastighedsområde til slibe/anvendelserne for at undgå overophedning og smeltning af arbejdsområdet. Slibning ved høj omløbs hastighed kan opvarme arbejdsområdet og smelte det på berøringspunktet.

# SAMLING

**⚠FORSIGTIG:** Sørg altid for at maskinen er slukket, og at akkuen er taget ud, før der udføres noget arbejde på maskinen.

## Montering og afmontering af slibepapir

**⚠FORSIGTIG:** Sørg altid for, at et ark slibepapir er monteret sikkert før anvendelse. Ellers kan papiret løsne sig, let afmonteres og udsættes for glidning, hvilket resulterer i ujævn slibning.

**BEMÆRK:** Monteringen er lettere, hvis papiret bøjes på forhånd.

## Brug af slibepapir uden støvsugningshul

1. Skær et ark slibepapir til en passende størrelse.  
▶ **Fig.5:** 1. Slibepapir 2. Slibetallerken
2. Skub og hold klemmehåndtaget nede på enten for- eller bagsiden af slibetallerkenen, og tryk det væk fra stopperen, så klemmen frigøres fra sin låste position.
3. Træk klemmehåndtaget så langt ud som muligt for at skabe et mellemrum mellem klemmen og sidevæggen på slibebasen, hvor den ene ende af slibepapiret kan indsættes.
4. Skub den ene ende af slibepapiret ind i rummet mellem klemmen og slibebasen.
5. Flyt slibepapiret, så det er fint overlejret på slibetallerkenens overflade.
6. Sæt klemmehåndtaget tilbage i en låst position for at fastspænde enden af slibepapiret forsvarligt.
7. Frigør klemmen i den anden ende, og hold den anden ende af slibepapiret klar til at blive fastspændt.
8. Oprethold en korrekt spænding på slibepapiret, og sæt derefter klemmehåndtaget i den anden ende i en låst position.  
▶ **Fig.6:** 1. Slibepapir 2. Klemme 3. Slibebase 4. Klemmehåndtag 5. Stopper
9. Tildæk slibepapiret med hulpladen mens dens placeringstopper, der støder op til hjørnet, passer godt ind i to af sidekanterne på slibetallerkenen og slibebasen  
▶ **Fig.7:** 1. Slibepapir 2. Hulplade 3. Placeringsstopper 4. Slibetallerken 5. Slibebase
10. Skub hulpladen over slibepapiret for at lave støvsugningshuller.
11. For at afmontere slibepapiret løsnes klemmerne i begge ender, og papiret tages af slibetallerkenen.

## Brug af slibepapir uden støvsugningshul

### Ekstraudstyr

1. Skub og hold klemmehåndtaget nede på enten for- eller bagsiden af slibetallerkenen, og tryk det væk fra stopperen, så klemmen frigøres fra sin låste position.
2. Træk klemmehåndtaget så langt ud som muligt for at skabe et mellemrum mellem klemmen og sidevæggen på slibebasen, hvor den ene ende af slibepapiret kan indsættes.

3. Anbring et ark slibepapir over slibetallerkenen, mens du juster støvsugningshullerne i papiret med dem på slibetallerkenen.

▶ **Fig.8:** 1. Slibepapir 2. Slibetallerken 3. Støvsugningshul

4. Skub den ene ende af slibepapiret ind i rummet mellem klemmen og slibebasen.
5. Sæt klemmehåndtaget tilbage i en låst position, så enden af slibepapiret er sikkert fastspændt.
6. Frigør klemmen i den anden ende, og hold den anden ende af slibepapiret klar til at blive fastspændt.
7. Oprethold en korrekt spænding på slibepapiret, og sæt derefter klemmehåndtaget i den anden ende i en låst position.

▶ **Fig.9:** 1. Slibepapir 2. Klemme 3. Slibebase 4. Klemmehåndtag 5. Stopper

8. For at afmontere slibepapiret løsnes klemmerne i begge ender, og papiret tages af slibetallerkenen.

## Brug af slibepapir med krog og løkke

**⚠FORSIGTIG:** Sørg for at montere en slibetallerken med krog og løkke korrekt og sikkert. Et løst monteret tilbehør vil komme ud af balance og forårsage en overdreven vibration, hvilket medfører tab af kontrol.

**⚠FORSIGTIG:** Sørg for, at en slibetallerken med krog og løkke og slibepapir er justeret og sikkert fastgjort.

**⚠FORSIGTIG:** Brug kun slibepapir med krog og løkke. Brug aldrig trykfølsomt slibepapir.

### Til DBO480

1. Fjern alt snavs og fremmedlegemer fra slibetallerkenen med krog og løkke.
2. Fastgør et ark valgfrit slibepapir med krog og løkke på slibetallerkenen, mens du juster støvsugningshullerne i papiret med dem på tallerkenen.  
▶ **Fig.10:** 1. Slibepapir 2. Slibetallerken 3. Støvsugningshuller

3. Hvis du vil afmontere slibepapiret, skal du trække det af fra kanten.

### Til DBO481 og DBO482

**BEMÆRKNING:** Hætten eller O-ringen kan komme ud af slibebasen, mens slibetallerkenen udskiftes. Sørg for at sætte hætten eller O-ringen tilbage i det cirkulære hul eller den cirkulære rille omkring midten af basen, før den valgfrie slibetallerken monteres.

### DBO481

▶ **Fig.11:** 1. Hætte 2. Slibebase 3. Cirkulært hul

### DBO482

▶ **Fig.12:** 1. O-ring 2. Slibebase 3. Cirkulær rille

1. Løsn og afmonter de fire skruer, der fastgør slibetallerkenen til slibebasen.  
▶ **Fig.13:** 1. Skruer 2. Slibetallerken 3. Slibebase
2. Udskift den standardudstyrede slibetallerken med en valgfri slibetallerken med krog og løkke.

- Spænd skruerne godt fast igen for at fastgøre slibetallerkenen med krog og løkke.
  - **Fig.14:** 1. Slibepapir 2. Slibetallerken 3. Støvsugningshuller
- Fjern alt snavs og fremmedlegemer fra slibetallerkenen med krog og løkke.
- Fastgør et ark valgfrit slibepapir med krog og løkke på slibetallerkenen, mens du juster støvsugningshullerne i papiret med dem på tallerkenen.
  - **Fig.15:** 1. Slibepapir 2. Slibetallerken 3. Støvsugningshuller
- Hvis du vil afmontere slibepapiret, skal du trække det af fra kanten.

## Brug af trekantet/rektangulært slibepapir

### Ekstraudstyr

**⚠FORSIGTIG:** Sørg for at montere en slibetallerken med krog og løkke korrekt og sikkert. Løst monteret tilbehør vil komme ud af balance og forårsage en overdreven vibration, hvilket medfører tab af kontrol.

**⚠FORSIGTIG:** Sørg for, at en slibetallerken med krog og løkke og slibepapir er justeret og sikkert fastgjort.

**⚠FORSIGTIG:** Brug kun slibepapir med krog og løkke. Brug aldrig trykfølsomt slibepapir.

**BEMÆRKNING:** Hætten eller O-ringen kan komme ud af slibebasen, mens slibetallerkenen udskiftes. Sørg for at sætte hætten eller O-ringen tilbage i det cirkulære hul eller den cirkulære rille omkring midten af basen, før den valgfrie slibetallerken monteres.

### DBO480, DBO481

- **Fig.16:** 1. Hætte 2. Slibebase 3. Cirkulært hul

### DBO482

- **Fig.17:** 1. O-ring 2. Slibebase 3. Cirkulær rille

- Løsn og afmonter de fire skruer, der fastgør slibetallerkenen til slibebasen.
  - **Fig.18:** 1. Skruer 2. Slibetallerken 3. Slibebase
- Udskift den standardudstyrede slibetallerken med en trekantet/rektangulær tallerken.
- Spænd skruerne godt fast igen for at fastgøre den trekantede/rektangulære tallerken.

### Trekantet tallerken

- **Fig.19:** 1. Skruer 2. Trekantet tallerken 3. Slibebase

Du kan installere slibepapiret på siden af tallerkenen som illustreret.

- **Fig.20:** 1. Slibepapir 2. Slibetallerken

### Rektangulær tallerken

- **Fig.21:** 1. Skruer 2. Rektangulær tallerken 3. Slibebase

- Fjern alt snavs og fremmedlegemer fra den trekantede/rektangulære tallerken.

- Fastgør et ark valgfrit slibepapir med krog og løkke på den trekantede/rektangulære tallerken, mens du juster støvsugningshullerne i papiret med dem på tallerkenen.

### Trekantet tallerken

- **Fig.22:** 1. Slibepapir 2. Trekantet tallerken 3. Støvsugningshuller

### Rektangulær tallerken

- **Fig.23:** 1. Slibepapir 2. Rektangulær tallerken 3. Støvsugningshuller

- Hvis du vil afmontere slibepapiret, skal du trække det af fra kanten.

## Montering og afmontering af støvpose

### Ekstraudstyr

Fastgør støvposen over den tilspidsede støvåbning i motorhusets bagende. Sæt posens støvindløb på støvåbningen så langt som den kan komme for at undgå, at den falder af under anvendelse.

- **Fig.24:** 1. Støvåbning 2. Støvindløb 3. Støvpose

**BEMÆRKNING:** Tag ikke fast i støvposen, når du bærer maskinen. Ellers kan maskinen falde eller blive beskadiget.

**BEMÆRK:** For at sikre optimal støvopsamling skal støvposen tømmes, når den fyldes op til ca. halvdelen af sin kapacitet.

Fjern støvposen fra maskinen og fjern støvdysen. Ryst eller bank derefter forsigtigt på støvposen for at tømme den.

- **Fig.25:** 1. Støvdyse

## Montering og afmontering af støvkasse

### Ekstraudstyr

Fastgør støvkassen over den tilspidsede støvåbning i motorhusets bagende. Sæt støvindløbet på støvåbningen så langt som det kan komme for at undgå, at det falder af under drift.

- **Fig.26:** 1. Støvåbning 2. Støvindløb 3. Støvdyse 4. Støvkasse

**BEMÆRKNING:** Tag ikke fast i støvkassen, når du bærer maskinen. Ellers kan maskinen falde eller blive beskadiget.

**BEMÆRK:** For at sikre optimal støvopsamling skal støvkassen tømmes, når den fyldes op til ca. halvdelen af sin kapacitet.

- Afmonter støvkassen fra maskinen.
- Afmonter støvdysen fra kassen, mens du trykker på og holder låseknapperne nede på begge sider af kassen.
- Ryst eller tryk forsigtigt på støvkassen for at tømme den.



## Udskift papirfilteret.

**BEMÆRKNING:** Vær opmærksom på at justere alle logoerne på støvkassen, papirfilteret og støvdysen i en ensartet retning, når komponenterne monteres igen.

1. Afmonter støvkassen fra maskinen.
2. Afmonter støvdysen fra kassen, mens du trykker på og holder låseknapperne nede på begge sider af kassen.  
► **Fig.27:** 1. Støvdyse 2. Støvkasse 3. Låseknop
3. Hold i den inderste øverste kant af papåbningen, og træk den nedad for at frigøre den ydre øverste kant af papåbningen fra den øverste tilslutningstap på støvkassens læbe.
4. Tag papirfilteret ud af støvkassen, mens du trækker den ydre nederste kant af papåbningen fri af den nederste tilslutningstap.  
► **Fig.28:** 1. Papirfilter 2. Papåbning 3. Øverste tilslutningstap 4. Nederste tilslutningstap 5. Støvkasse
5. Udskift et papirfilter ved at tage fat i den nederste kant af papåbningen i den nederste tilslutningstap og skubbe den øverste kant indad, indtil den klipser ind i den øverste tilslutningstap.  
► **Fig.29:** 1. Papirfilter 2. Papåbning 3. Øverste tilslutningstap 4. Nederste tilslutningstap 5. Støvkasse
6. Sæt støvdysen på plads, mens du trykker på og holder låseknapperne på begge sider af støvkassen.  
► **Fig.30:** 1. Støvdyse 2. Støvkasse 3. Låseknop

## Tilslutning med støvsuger

### Ekstraudstyr

Når du ønsker at udføre ren slibning, skal du tilkoble en Makita-støvsuger til din maskine. Brug enten en valgfri slange på 28 mm eller en kombination af frontmanchetter 22 og slange, der følger med støvsugeren, for at etablere en forbindelse.

- **Fig.31:** 1. Støvåbning 2. Forreste manchetter 3. Slange 4. Støvsuger

## ANVENDELSE

### Slibning

**⚠FORSIGTIG:** Sørg altid for, at arbejdsemnet er forsvarligt fastgjort.

**BEMÆRKNING:** Brug aldrig maskinen uden slibepapir. Du kan beskadige slibetallerkenen alvorligt.

**BEMÆRKNING:** Brug aldrig for stort et pres på maskinen. For stort et pres kan mindske slibeeffektiviteten, beskadige slibepapiret og/eller reducere maskinens levetid.

Hold godt fast i maskinen. Tænd for maskinen, og vent, til den når fuld hastighed. Placer derefter forsigtigt maskinen ned på overfladen af arbejdsemnet. En svingsliber bruges generelt til kun at fjerne en lille mængde materiale ad gangen. Da kvaliteten af overfladen er vigtigere end den fjernede mængde materiale, må du ikke trykke ned på maskinen. Sørg for, at basen til enhver tid flugter med arbejdsemnet.

► **Fig.32**

Du kan slibe materialet med over- og under-side af tallerkenen når du sliber med den trekantede/rektangulære tallerken. Det er praktisk når du sliber materiale som for eksempel lameller.

► **Fig.33**

## VEDLIGEHOLDELSE

**⚠FORSIGTIG:** Vær altid sikker på, at værktøjet er slukket, og at akkuen er taget ud, inden De begynder på at udføre inspektion eller vedligeholdelse.

**BEMÆRKNING:** Anvend aldrig benzin, rensebensen, fortynder, alkohol og lignende. Det kan medføre misfarvning, deformation eller revner.

For at opretholde produktets SIKKERHED og PALIDELIGHED må reparation, vedligeholdelse eller justering kun udføres af et autoriseret Makita servicecenter eller fabriksservicecenter med anvendelse af Makita reservedele.

### Efter anvendelse

Aftr maskinen med en tør klud eller en klud, der er let fugtet med sæbevand med jævne mellemrum.

## EKSTRAUDSTYR

**⚠FORSIGTIG:** Det følgende tilbehør og ekstraudstyr er anbefalet til brug med Deres Makita maskine, der er beskrevet i denne brugsanvisning. Anvendelse af andet tilbehør eller ekstraudstyr kan udgøre en risiko for personskade. Anvend kun tilbehør og ekstraudstyr til det beskrevne formål.

Hvis De behøver hjælp ved valg af tilbehør eller ønsker yderligere informationer, bedes De kontakte Deres lokale Makita servicecenter.

- Slibepapir (krog og løkke)
- Slibepapir (klemme)
- Firkantet tallerken (krog og løkke)
- Firkantet tallerken (klemme)
- Rektangulær tallerken
- Trekantet tallerken
- Støvpose
- Støvkasse
- Filter
- Papirfilter
- Original Makita-akku og oplader

**BEMÆRK:** Nogle ting på denne liste kan være inkluderet i værktøjspakken som standardtilbehør. Det kan være forskellige fra land til land.

## SPECIFIKĀCIJAS

| Modelis:                     |                                   | DBO480  | DBO481       | DBO482 |
|------------------------------|-----------------------------------|---|--------------|--------|
| Paliktņa izmērs              | Kvadrātveida paliktņis            | 112 mm x 102 mm   |              |        |
|                              | Trijstūrveida paliktņis           | 112 mm x 190 mm   |              |        |
|                              | Taisnstūrveida paliktņis          | 112 mm x 168,5 mm   |              |        |
| Abrazīvais papīrs            | Kvadrātveida paliktņim (līplente) | 114 mm x 102 mm   |              |        |
|                              | Kvadrātveida paliktņim (skava)    | 114 mm x 140 mm   |              |        |
|                              | Trijstūrveida paliktņim           | Taisnstūrveida papīrs: 114 mm x 102 mm<br>Trijstūrveida papīrs: 96 mm |              |        |
|                              | Taisnstūrveida paliktņim          | 112 mm x 168,5 mm, 112 mm x 66 mm                                     |              |        |
| Rotācijas minūtē             | Liels ātrums                      | 14 000 min <sup>-1</sup>  |              |        |
|                              | Mazs ātrums                       | 11 000 min <sup>-1</sup>  |              |        |
| Kopējais garums (ar BL1860B) |                                   | 171 mm  |              |        |
| Nominālais spriegums         |                                   | Līdzstrāva 18 V   |              |        |
| Neto svars                   |                                   | 1,4 - 1,7 kg  | 1,4 - 1,8 kg |        |

- \* Standarta paliktņis dažādās valstīs var atšķirties.
- Nepārtrauktās izpētes un izstrādes programmas dēļ šeit uzrādītās specifikācijas var tikt mainītas bez brīdinājuma.
- Specifikācijas un akumulatora kasetne var atšķirties dažādās valstīs.
- Svars var būt atšķirīgs atkarībā no papildierīces(-ēm), tostarp akumulatora kasetnes. Tabulā ir attēlota vieglākā un smagākā kombinācija atbilstoši EPTA procedūrai 01/2014.

### Piemērotā akumulatora kasetne un lādētājs

|                     |  |
|---------------------|--|
| Akumulatora kasetne | BL1815N / BL1820B / BL1830B / BL1840B / BL1850B / BL1860B    |
| Lādētājs            | DC18RC / DC18RD / DC18RE / DC18SD / DC18SE / DC18SF / DC18SH |

- Daži no iepriekš norādītajiem lādētājiem un akumulatora kasetnēm var nebūt pieejami atkarībā no jūsu mītnes reģiona.

**⚠BRĪDINĀJUMS:** Izmantojiet vienīgi iepriekš norādītās akumulatora kasetnes un lādētājus. Cita tipa akumulatora kasetņu un lādētāju izmantošana var radīt traumu un/vai aizdegšanās risku.

### Paredzētā lietošana

Šis darbarīks paredzēts lielu koka virsmu, plastmasas un metāla materiālu, kā arī krāsotu virsmu slīpēšanai.

### Trokšņa līmenis

Tipiskais A svērtais trokšņa līmenis noteikts saskaņā ar EN62841-2-4:

#### Modelis DBO480

Skaņas spiediena līmeni ( $L_{pA}$ ): 75 dB (A)  
Mainīgums (K): 3 dB (A)

#### Modelis DBO481

Skaņas spiediena līmeni ( $L_{pA}$ ): 75 dB (A)  
Mainīgums (K): 3 dB (A)

#### Modelis DBO482

Skaņas spiediena līmeni ( $L_{pA}$ ): 75 dB (A)  
Mainīgums (K): 3 dB (A)

Darbības laikā trokšņa līmenis var pārsniegt 80 dB (A).

**PIEZĪME:** Paziņotā trokšņa emisijas vērtība noteikta atbilstoši standarta pārbaudes metodei, un to var izmantot, lai salīdzinātu vienu darbarīku ar citu.

**PIEZĪME:** Paziņoto trokšņa emisijas vērtību arī var izmantot iedarbības sākotnējā novērtējumā.

**⚠BRĪDINĀJUMS:** Lietojiet ausu aizsargus.

**⚠BRĪDINĀJUMS:** Trokšņa emisija patiesos darba apstākļos var atšķirties no paziņotās vērtības atkarībā no darbarīka izmantošanas veida un jo īpaši atkarībā no apstrādājamā materiāla veida.

**⚠BRĪDINĀJUMS:** Lai aizsargātu lietotāju, nosakiet drošības pasākumus, kas pamatoti ar iedarbību reālos darba apstākļos (ņemot vērā visus ekspluatācijas cikla posmus, piemēram, laiku, kamēr darbarīks ir izslēgts un kad darbojas tukšgaitā, kā arī palaides laiku).

## Vibrācija

Vibrācijas kopējā vērtība (trīsasu vektora summa) noteikta atbilstoši EN62841-2-4:

### Modelis DBO480

Darba režīms: metāla plāksnes slīpēšana (kvadrātveida pamatne)

Vibrācijas izmēte ( $a_n$ ): 2,5 m/s<sup>2</sup> vai mazāk

Mainīgums (K): 1,5 m/s<sup>2</sup>

Darba režīms: metāla plāksnes slīpēšana

Vibrācijas izmēte ( $a_n$ ): 4,1 m/s<sup>2</sup>

Mainīgums (K): 1,5 m/s<sup>2</sup>

### Modelis DBO481

Darba režīms: metāla plāksnes slīpēšana (kvadrātveida pamatne)

Vibrācijas izmēte ( $a_n$ ): 2,5 m/s<sup>2</sup> vai mazāk

Mainīgums (K): 1,5 m/s<sup>2</sup>

### Modelis DBO482

Darba režīms: metāla plāksnes slīpēšana (kvadrātveida pamatne)

Vibrācijas izmēte ( $a_n$ ): 3,4 m/s<sup>2</sup>

Mainīgums (K): 1,5 m/s<sup>2</sup>

**PIEZĪME:** Paziņotā kopējā vibrācijas vērtība noteikta atbilstoši standarta pārbaudes metodei, un to var izmantot, lai salīdzinātu vienu darbarīku ar citu.

**PIEZĪME:** Paziņoto kopējo vibrācijas vērtību arī var izmantot iedarbības sākotnējā novērtējumā.

**▲BRĪDINĀJUMS:** Vibrācijas emisija patiesos darba apstākļos var atšķirties no paziņotās vērtības atkarībā no darbarīka izmantošanas veida un jo īpaši atkarībā no apstrādājamā materiāla veida.

**▲BRĪDINĀJUMS:** Lai aizsargātu lietotāju, nosakiet drošības pasākumus, kas pamatoti ar iedarbību reālos darba apstākļos (ņemot vērā visus ekspluatācijas cikla posmus, piemēram, laiku, kamēr darbarīks ir izslēgts un kad darbojas tukšgaitā, kā arī palaišanas laiku).

## EK atbilstības deklarācija

### Tikai Eiropas valstīm

EK atbilstības deklarācija šajā lietošanas rokasgrāmatā ir iekļauta kā A pielikums.

## DROŠĪBAS BRĪDINĀJUMI

### Vispārīgi elektrisko darbarīku drošības brīdinājumi

**▲BRĪDINĀJUMS:** Izlasiet visus drošības brīdinājumus, instrukcijas, apskatiet ilustrācijas un tehniskos datus, kas iekļauti mehānizētā darbarīka komplektācijā. Ja netiek ievēroti visi tālāk minētie noteikumi, var tikt izraisīta elektrotrauma, notikt aizdegšanās un/vai rasties smagas traumas.

## Glabājiet visus brīdinājumus un norādījumus, lai varētu tajos ieskatīties turpmāk.

Termins „elektrisks darbarīks” brīdinājumos attiecas uz tādu elektrisko darbarīku, ko darbina ar elektrību (ar vadu), vai tādu, ko darbina ar akumulatoru (bez vada).

## Slīpmašīnas drošības brīdinājumi

1. Vienmēr lietojiet aizsargbrilles. Parastās brilles vai saulesbrilles NAV aizsargbrilles.
2. Turiet darbarīku cieši.
3. Neatstājiet darbarīku ieslēgtu. Darbiniet darbarīku vienīgi tad, ja turat to rokās.
4. Šis darbarīks nav ūdensdrošs, tādēļ uz apstrādājamā materiāla virsmas neizmantojiet ūdeni.
5. Veicot slīpēšanas darbus, darba vietu atbilstoši vēdiniet.
6. Daži materiāli satur ķīmiskas vielas, kuras var būt toksiskas. Izvairieties no putekļu ieelpošanas un to nokļūšanas uz ādas. Ievērojiet materiāla piegādātāja drošības datus.
7. Izmantojot šo darbarīku noteikta veida izstrādājumu, krāsu un koka šķirņu slīpēšanai, operators var nonākt saskarē ar putekļiem, kuru sastāvā ir bīstamas vielas. Izmantojiet piemērotu elpceļu aizsardzību.
8. Pirms lietošanas pārbaudiet, vai pamatne nav saplaisājusi vai saplīsusi. Plaisas vai plīsumi var radīt traumu.
9. Izmantojot šo darbarīku, ir svarīgi saglabāt līdzsvaru un stabilu pamatu zem kājām. Ja lietojat darbarīku augstumā, pārliecinieties, ka apakšā nav cilvēku.

## SAGLABĀJIET ŠOS NORĀDĪJUMUS.

**▲BRĪDINĀJUMS:** NEPIEĻAUJIET to, ka labu iemaņu vai izstrādājuma labas pārzināšanas (darbarīku atkārtoti ekspluatējot) rezultātā vairs stingri neievērojat šī izstrādājuma drošības noteikumus. NEPAREIZI LIETOJOT darbarīku vai neievērojot šajā instrukciju rokasgrāmatā minētos drošības noteikumus, var tikt gūtas smagas traumas.

## Svarīgi drošības norādījumi par akumulatora kasetni

1. Pirms akumulatora lietošanas izlasiet visus norādījumus un brīdinājumus, kuri attiecas uz (1) akumulatora lādētāju, (2) akumulatoru un (3) ierīci, kurā tiek izmantots akumulators.
2. Akumulatora kasetni nedrīkst ne pārveidot, ne izjaukt. Citādi var tikt izraisīta aizdegšanās, pārmērīgs karstums vai sprādziens.
3. Ja akumulatora darbības laiks kļūva ievērojami īsāks, nekavējoties pārtrauciet to izmantot. Citādi, tas var izraisīt pārkarsējumu, uzliesmojumu vai pat sprādzienu.
4. Ja elektroliīts nonāk acīs, izskalojiet tās ar tīru ūdeni un nekavējoties griezties pie ārsta. Tas var izraisīt redzes zaudēšanu.
5. Neradiet īssavienojumu akumulatora kasetnē:
  - (1) Nepieskarieties spailēm ar elektrību vadošiem materiāliem.
  - (2) Neuzglabājiet akumulatoru kasetni kopā ar citiem metāla priekšmetiem, tādiem kā naglas, monētas u. c.
  - (3) Nepakļaujiet akumulatora kasetni ūdens vai lietus iedarbībai.

Akumulatora īssavienojums var radīt spēcīgu strāvas plūsmu, pārkaršanu, uzliesmojumu un pat sabojāt akumulatoru.

6. Neglabājiet un neizmantojiet darbarīku un akumulatora kasetni vietās, kur temperatūra var sasniegt vai pārsniegt 50 °C (122 °F).
7. Nededziniet akumulatora kasetni, pat ja tā ir stipri bojāta vai pilnībā nolietota. Akumulatora kasetne ugunī var eksplodēt.
8. Akumulatora kasetni nedrīkst naglot, griezt, saspīest, mest vai nomet, kā arī pa to nedrīkst sist ar cietu priekšmetu. Šādas darbības var izraisīt aizdegšanos, pārmērīgu karstumu vai sprādzienu.
9. Neizmantojiet bojātu akumulatoru.
10. Uz izmantotajiem litija jonu akumulatoriem attiecas likumdošanas prasības par bīstamiem izstrādājumiem.  
Komerציālā transportēšanā, ko veic, piemēram, trešās puses, transporta uzņēmumi, jāievēro uz iesaiņojuma un marķējuma norādītās īpašās prasības.  
Lai izstrādājumu sagatavotu nosūtīšanai, jāsažinās ar bīstamo materiālu speciālistu. Ievērojiet arī citus attiecināmos valsts normatīvus.  
Vajējus kontaktus nosedziet ar līmlenti vai citādi pārklājiet, bet akumulatoru iesaiņojiet tā, lai sānīt tas nevarētu izkustēties.
11. Lai utilizētu akumulatora kasetni, izņemiet to no darbarīka un likvidējiet drošā vietā. Ievērojiet vietējos noteikumus par akumulatora likvidēšanu.
12. Izmantojiet šos akumulatorus tikai ar izstrādājumiem, kurus norādījis Makita. Ievietojot šos akumulatorus nesaderīgos izstrādājumos, var rasties ugunsgrēks, pārmērīgs karstums, tie var uzsprāgt vai no tiem var iztecēt elektrolīts.
13. Ja darbarīks netiks lietots ilgu laiku, no tā jāizņem akumulators.
14. Lietošanas laikā vai pēc tās akumulatora kasetne var uzkrāt siltumu, kas var izraisīt apdegumus vai zemas temperatūras apdegumus. Ar karstu akumulatora kasetni apējieties rūpīgi.
15. Nepieskarieties darbarīka izvadam uzreiz pēc lietošanas, jo tas var būt sakarsis un izraisīt apdegumus.
16. Neļaujiet akumulatora kasetnes spailēs, atverēs un rievās uzkrāties skaidām, putekļiem vai netīrumiem. Tas var izraisīt sasilšanu, aizdegšanos, sprādzienu un instrumenta vai akumulatora kasetnes nepareizu darbību, un lietotājs var gūt apdegumus vai ievainojumus.
17. Neizmantojiet akumulatora kasetni augstsprieguma līniju tuvumā, izņemot gadījumus, kad darbarīks ir piemērots lietošanai augstsprieguma līniju tuvumā. Citādi darbarīks vai akumulatora kasetne var sākt darboties nepareizi vai tikt sabojāti.
18. Glabājiet akumulatoru bērnēm nepieejamā vietā.

## SAGLABĀJIET ŠOS NORĀDĪJUMUS.

**▲UZMANĪBU:** Lietojiet tikai oriģinālos Makita akumulatorus. Ja lietojat neoriģinālus Makita akumulatorus vai pārveidotus akumulatorus, tie var uzsprāgt un izraisīt aizdegšanos, traumas un materiālos zaudējumus. Tiks anulēta arī Makita darbarīka un lādētāja garantija.

## Ieteikumi akumulatora kalpošanas laika pagarināšanai

1. Uzlādējiet akumulatora kasetni, pirms tā ir pilnībā izlādējusies. Vienmēr, kad ievērojiet, ka darbarīka darba jauda zudusi, apturiet darbarīku un uzlādējiet akumulatora kasetni.
2. Nekad neuzlādējiet pilnībā uzlādētu akumulatora kasetni. Pārmērīga uzlāde saīsina akumulatora kalpošanas laiku.
3. Uzlādējiet akumulatora kasetni istabas temperatūrā 10 °C - 40 °C. Karstai akumulatora kasetnei pirms uzlādes ļaujiet atdzist.
4. Kad akumulatora kasetne netiek izmantota, izņemiet to no darbarīka vai lādētāja.
5. Uzlādējiet litija jonu akumulatora kasetni, ja to ilgstoši nelietosit (vairāk nekā sešus mēnešus).

## FUNKCIJU APRAKSTS

**▲UZMANĪBU:** Pirms darbarīka regulēšanas vai tā darbības pārbaudes vienmēr pārliecinieties, ka darbarīks ir izslēgts un akumulatora kasetne ir izņemta.

## Akumulatora kasetnes uzstādīšana un izņemšana

**▲UZMANĪBU:** Vienmēr pirms akumulatora kasetnes uzstādīšanas vai noņemšanas izslēdziet darbarīku.

**▲UZMANĪBU:** Uzstādot vai izņemot akumulatora kasetni, darbarīku un akumulatora kasetni turiet cieši. Ja darbarīku un akumulatora kasetni netur cieši, tie var izkrist no rokām un radīt bojājumus darbarīkam un akumulatora kasetnei, kā arī izraisīt ievainojumus.

- **Att.1:** 1. Sarkanās krāsas indikators 2. Poga 3. Akumulatora kasetne

Lai izņemtu akumulatora kasetni, izvelciet to no darbarīka, pārīdot kasetnes priekšpusē esošo pogu.

Lai uzstādītu akumulatora kasetni, salāgojiet akumulatora kasetnes mēlīti ar rievu ietvarā un iebīdīet to vietā. Ievietojiet to līdz galam, līdz tā ar klikšķi nofiksējas. Ja redzams attēlā parādītais sarkanais krāsas indikators, tas nozīmē, ka tas nav pilnīgi nofiksēts.

**▲UZMANĪBU:** Vienmēr ievietojiet akumulatora kasetni tā, lai sarkanais indikators nebūtu redzams. Pretējā gadījumā tā var nejausi izkrist no darbarīka un izraisīt jums vai apkārtnējiem traumas.

















**▲UZMANĪBU:** Neievietojiet akumulatora kasetni ar spēku. Ja kasetne neslīd ietvarā viegli, tā nav pareizi ielikta.

## Atlikušās akumulatora jaudas indikators

**Tikai akumulatora kasetnēm ar indikatoru**

► **Att.2:** 1. Indikatora lampas 2. Pārbaudes poga

Nospiediet akumulatora kasetnes pārbaudes pogu, lai pārbaudītu akumulatora atlikušo uzlādes līmeni. Indikatoru iedegsies uz dažām sekundēm.

| Indikatora lampas   |   |   | Atlikusī jauda               |
|---|---|---|------------------------------|
|  |  |  |                              |
| Iedegies  | Izslēgts  | Mirgo   |                              |
|  |   |   | No 75% līdz 100%             |
|  |  |   | No 50% līdz 75%              |
|  |  |   | No 25% līdz 50%              |
|  |  |   | No 0% līdz 25%               |
|  |  |   | Uzlādējiet akumulatoru.      |
|  |  |   | Iespējama akumulatora kļūme. |
|  |  |   |                              |

**PIEZĪME:** Reālā jauda var nedaudz atšķirties no norādītās atkarībā no lietošanas apstākļiem un apkārtējās temperatūras.

**PIEZĪME:** Akumulatora aizsardzības sistēmas darbības laikā mirgo pirmais (kreisais malējais) indikators.

## Darbarīka/akumulatora aizsardzības sistēma

Darbarīkam ir darbarīka/akumulatora aizsardzības sistēma. Šī sistēma automātiski izslēdz strāvas padevi motoram, lai pagarinātu darbarīka un akumulatora darbību. Lietošanas laikā darbarīks automātiski pārstās darboties, ja darbarīku vai akumulatoru pakļaus kādam no šādiem apstākļiem.

### Aizsardzība pret pārslodzi

Ja darbarīku/akumulatoru lieto tā, ka tas patērē pārmerīgi lielu strāvas daudzumu, darbarīks automātiski, bez iepriekšēja brīdinājuma pārstāj darboties. Šādā gadījumā izslēdziet darbarīku un pārtrauciet darbību, kas izraisīja pārslodzi. Pēc tam ieslēdziet darbarīku, lai atsāktu darbu.

### Aizsardzība pret pārkaršanu

Kad darbarīks/akumulators ir pārkaris, darbarīks automātiski pārstāj darboties. Šādā gadījumā ļaujiet darbarīkam un akumulatoram atdzist un tikai tad atkal ieslēdziet darbarīku.

## Aizsardzība pret akumulatora pārmērīgu izlādi

Ja akumulatora jaudas līmenis ir zems, darbarīks automātiski pārstāj darboties. Šajā gadījumā akumulatoru izņemiet no darbarīka un uzlādējiet.

## Aizsardzība pret citiem cēloņiem

Aizsardzības sistēma ir paredzēta arī pret citiem cēloņiem, kas varētu radīt darbarīka bojājumus, un nodrošina automātisku darbarīka apturēšanu. Ja darbarīka darbība ir īslaicīgi apstājusies vai tas pārstājis darboties, veiciet visas tālāk norādītās darbības, lai novērstu cēloņus.

1. Izslēdziet un ieslēdziet darbarīku, lai to no jauna iedarbinātu.
2. Uzlādējiet akumulatoru(-s) vai nomainiet to(-s) ar uzlādētu(-iem) akumulatoru(-iem).
3. Ļaujiet darbarīkam un akumulatoram(-iem) atdzist.

Ja pēc aizsardzības sistēmas atjaunošanas nav uzlabojumu, sazinieties ar vietējo Makita tehnikās apkopes centru.

## Slēdža darbība

**⚠UZMANĪBU:** Kad darbarīks novietots uz apstrādājamā materiāla vai darbgalda, gādājiet, lai tas nebūtu ieslēgts. Ieslēgts darbarīks var radīt traumas vai bojājumus.

## Darbarīka ieslēgšana un izslēgšana

Lai ieslēgtu darbarīku, nospiediet barošanas/ātruma regulēšanas pogu. Darbarīks sāk darboties ar maksimālo griešanās ātrumu.

Lai apturētu darbarīku, nospiediet apturēšanas pogu.

- **Att.3:** 1. Barošanas/ātruma regulēšanas poga  
2. Apturēšanas poga

## Darbarīka ātruma regulēšana

Griešanās ātrumu var pārslēgt divos režīmos – lielā ātrumā un mazā ātrumā. Izvēlieties vienu no abiem režīmiem atkarībā no lietojuma un slodzes. Lai pārslēgtu ātruma režīmu, kamēr darbarīks darbojas, nospiediet barošanas/ātruma regulēšanas pogu.

- **Att.4:** 1. Barošanas/ātruma regulēšanas poga

### Ātruma iestāffjumu tabula

| Ātruma līmenis   | Apgriezieni minūtē              |
|------------------|---------------------------------|
| 2 (liels ātrums) | 14 000 min <sup>-1</sup> (/min) |
| 1 (zems)         | 11 000 min <sup>-1</sup> (/min) |

**IEVĒRĪBAI:** Ja darbarīku regulāri un ilgstoši darbinās ar mazu ātrumu, motors tiks pārslogots, tādējādi radot darbarīka darbības traucējumus.

**IEVĒRĪBAI:** Lai novērstu pārkaršanu un apstrādājamā materiāla sakušanu, atlasiet veicamajiem slīpēšanas darbiem atbilstīgu ātruma diapazonu. Veicot slīpēšanu ar lieliem apgriezieniem, apstrādājams materiāls var uzkarst un sakust saskares punktā.

# MONTĀŽA

**⚠UZMANĪBU:** Pirms darbarīka regulēšanas vai apkopes vienmēr pārlicinieties, ka darbarīks ir izslēgts un akumulatora kasetne ir izņemta.

## Abrazīvā papīra uzstādīšana un noņemšana

**⚠UZMANĪBU:** Pirms sākat ekspluatāciju, obligāti pārlicinieties, ka abrazīvā papīra loksne ir uzstādīta kārtīgi un droši. Citādi papīrs var kļūt vaļīgs, viegli atvieņoties un noslidēt, radot nevienmērīgu slīpējumu.

**PIEZĪME:** Ja papīru iepriekš saloka, to ir vieglāk piestiprināt.

## Abrazīvā papīra bez putekļu izvades atverēm izmantošana

1. Izgrieziet vajadzīgā lieluma abrazīvā papīra loksni.

▶ **Att.5:** 1. Abrazīvais papīrs 2. Paliktņis

2. Turiet nospiestu stiprinājuma sviru vai nu paliktņa priekšpusē, vai aizmugurē un bīdiet to prom no aiztura tā, lai skava tiktu atbrīvota no fiksētā stāvokļa.

3. Velciet stiprinājuma sviru maksimāli uz āru, lai starp skavu un slīpēšanas pamatnes malu rastos atstarpe, kurā varētu ielikt vienu abrazīvā papīra galu.

4. Ieslidiniet vienu abrazīvā papīra galu atstarpē starp skavu un slīpēšanas pamatni.

5. Pārvietojiet abrazīvo papīru tā, lai tas precīzi pārklātu paliktņa virsmu.

6. Lai cieši nostiprinātu abrazīvā papīra galu, novietojiet stiprinājuma sviru atpakaļ fiksētā pozīcijā.

7. Atbrīvojiet skavu otrā pusē un sagatavojiet otru abrazīvā papīra galu nostiprināšanai.

8. Saglabājiet pienācīgu abrazīvā papīra nospirogojumu un tad otrā pusē novietojiet stiprinājuma sviru fiksētā pozīcijā.

▶ **Att.6:** 1. Abrazīvais papīrs 2. Skava 3. Slīpēšanas pamatne 4. Stiprinājuma svira 5. Aizturis

9. Pārklājiet abrazīvo papīru ar caursitņa plāksni tā, lai pozicionēšanas aizturi būtu novietoti pie stūra un būtu precīzi savietoti ar divām paliktņa un slīpēšanas pamatnes sānu malām.

▶ **Att.7:** 1. Abrazīvais papīrs 2. Caursitņa plāksne 3. Pozicionēšanas aizturi 4. Paliktņis 5. Slīpēšanas pamatne

10. Uzspiediet caursitņa plāksni pret abrazīvo papīru, lai izveidotu putekļu izvades atveres.

11. Lai noņemtu abrazīvo papīru, abās pusēs atbrīvojiet skavas un noņemiet papīru no paliktņa.

## Abrazīvā papīra ar putekļu izvades atverēm izmantošana

### Papildpiederums

1. Turiet nospiestu stiprinājuma sviru vai nu paliktņa priekšpusē, vai aizmugurē un bīdiet to prom no aiztura tā, lai skava tiktu atbrīvota no fiksētā stāvokļa.

2. Velciet stiprinājuma sviru maksimāli uz āru, lai starp skavu un slīpēšanas pamatnes malu rastos atstarpe, kurā varētu ielikt vienu abrazīvā papīra galu.

3. Uzlieciet abrazīvā papīra loksni uz paliktņa, savietojot putekļu izvades atveres ar atverēm uz paliktņa.

▶ **Att.8:** 1. Abrazīvais papīrs 2. Paliktņis 3. Putekļu izvades atvere

4. Ieslidiniet vienu abrazīvā papīra galu atstarpē starp skavu un slīpēšanas pamatni.

5. Iestatiet stiprinājuma sviru atpakaļ fiksētā pozīcijā, pārlicinoties, ka abrazīvā papīra gals ir cieši nostiprināts.

6. Atbrīvojiet skavu otrā pusē un sagatavojiet otru abrazīvā papīra galu nostiprināšanai.

7. Saglabājiet pienācīgu abrazīvā papīra nospirogojumu un tad otrā pusē novietojiet stiprinājuma sviru fiksētā pozīcijā.

▶ **Att.9:** 1. Abrazīvais papīrs 2. Skava 3. Slīpēšanas pamatne 4. Skavas stiprinājuma svira 5. Aizturis

8. Lai noņemtu abrazīvo papīru, abās pusēs atbrīvojiet skavas un noņemiet papīru no paliktņa.

## Abrazīvā papīra ar līplentes stiprinājumu izmantošana

**⚠UZMANĪBU:** Gādājiet, lai paliktņis ar līplentes stiprinājumu būtu uzstādīts pareizi un droši. Vaļīgs piederums zaudēs līdzsvaru un izraisīs pārmērīgu vibrāciju, tādējādi izraisot vadības zaudēšanu.

**⚠UZMANĪBU:** Gādājiet, lai paliktņis ar līplentes stiprinājumu būtu savietots ar abrazīvo papīru un cieši tam piestiprināts.

**⚠UZMANĪBU:** Izmantojiet tikai abrazīvos papīrus ar līplentes stiprinājumu. Nekad neizmantojiet abrazīvos papīrus, kas nav spiedienizturīgi.

### Modelim DBO480

1. Notīriet no paliktņa ar līplentes stiprinājumu visus netīrumus un svešķermeņus.

2. Uzlieciet abrazīvā papīra ar līplentes stiprinājumu loksni uz paliktņa, savietojot putekļu izvades atveres ar atverēm uz paliktņa.

▶ **Att.10:** 1. Abrazīvais papīrs 2. Paliktņis 3. Putekļu izvades atveres

3. Lai noņemtu abrazīvo papīru, noplēšiet to, sākot no malas.

### Modelim DBO481 un DBO482

**IEVĒRĪBA!** Paliktņa nomainīšanas laikā no slīpēšanas pamatnes var nokrist vāciņš vai blīvgredzens. Pirms uzstādāt papildaprīkojuma paliktņi, ielieciet vāciņu vai blīvgredzenu atpakaļ apaļajā padziļinājumā vai apaļveida gropē, kas atrodas apkārt pamatnes centram.

### DBO481

▶ **Att.11:** 1. Vāciņš 2. Slīpēšanas pamatne 3. Apaļais padziļinājums

### DBO482

▶ **Att.12:** 1. Blīvgredzens 2. Slīpēšanas pamatne 3. Apaļveida grope

1. Atskrūvējiet un izņemiet četras skrūves, ar kurām paliktņis piestiprināts pie slīpēšanas pamatnes.

▶ **Att.13:** 1. Skrūves 2. Paliktņis 3. Slīpēšanas pamatne

2. Nomainiet standarta aprīkojuma paliktņi ar papildaprīkojuma paliktņi ar līplentes stiprinājumu.

3. Lai nostiprinātu paliktņi ar līplentes stiprinājumu, cieši pieskrūvējiet skrūves.
- **Att.14:** 1. Abrazīvais papīrs 2. Paliktņis 3. Putekļu izvades atveres
4. Notīriet no paliktņa ar līplentes stiprinājumu visus netīrumus un svešķermeņus.
5. Uzlieciet abrazīvā papīra ar līplentes stiprinājumu loksni uz paliktņa, savietojot putekļu izvades atveres ar atverēm uz paliktņa.
- **Att.15:** 1. Abrazīvais papīrs 2. Paliktņis 3. Putekļu izvades atveres
6. Lai noņemtu abrazīvo papīru, noplēsiet to, sākot no malas.

## Trijstūrveida/taisnstūrveida abrazīvā papīra izmantošana

### Papildpiederums

**⚠UZMANĪBU:** Gādājiet, lai paliktņis ar līplentes stiprinājumu būtu uzstādīts pareizi un droši. Valjīgs piederums zaudē līdzsvaru un rada pārmērīgu vibrāciju, tādējādi izraisot vadības zaudēšanu.

**⚠UZMANĪBU:** Gādājiet, lai paliktņis ar līplentes stiprinājumu būtu savietots ar abrazīvo papīru un cieši tam piestiprināts.

**⚠UZMANĪBU:** Izmantojiet tikai abrazīvos papīrus ar līplentes stiprinājumu. Nekad neizmantojiet abrazīvos papīrus, kas nav spiedienizturīgi.

**IEVĒRĪBAI:** Paliktņa nomainīšanas laikā no slīpēšanas pamatnes var nokrist vāciņš vai blīvredzens. Pirms uzstādāt papildaprīkojuma paliktņi, ielieciet vāciņu vai blīvredzenu atpakaļ apaļajā padziļinājumā vai apļveida gropē, kas atrodas apkārt pamatnes centram.

### DBO480, DBO481

- **Att.16:** 1. Vāciņš 2. Slīpēšanas pamatne 3. Apaļais padziļinājums

### DBO482

- **Att.17:** 1. Blīvredzens 2. Slīpēšanas pamatne 3. Apļveida gropē

1. Atskrūvējiet un izņemiet četras skrūves, ar kurām paliktņis piestiprināts pie slīpēšanas pamatnes.

- **Att.18:** 1. Skrūves 2. Paliktņis 3. Slīpēšanas pamatne

2. Nomainiet standartā uzstādīto pamatni pret trijstūrveida/taisnstūrveida paliktņi.

3. Lai nostiprinātu trijstūrveida/taisnstūrveida paliktņi, ieskrūvējiet atpakaļ un cieši pievelciet skrūves.

### Trijstūrveida paliktņis

- **Att.19:** 1. Skrūves 2. Trijstūrveida paliktņis 3. Slīpēšanas pamatne

Abrazīvo papīru var uzstādīt vienā paliktņa pusē, kā parādīts attēlā.

- **Att.20:** 1. Abrazīvais papīrs 2. Paliktņis

### Taisnstūrveida paliktņis

- **Att.21:** 1. Skrūves 2. Taisnstūrveida paliktņis 3. Slīpēšanas pamatne

4. Notīriet no trijstūrveida/taisnstūrveida paliktņa visus netīrumus un svešķermeņus.

5. Uzlieciet abrazīvā papīra ar līplentes stiprinājumu loksni uz trijstūrveida/taisnstūrveida paliktņa, savietojot putekļu izvades atveres papīrā ar atverēm uz paliktņa.

### Trijstūrveida paliktņis

- **Att.22:** 1. Abrazīvais papīrs 2. Trijstūrveida paliktņis 3. Putekļu izvades atveres

### Taisnstūrveida paliktņis

- **Att.23:** 1. Abrazīvais papīrs 2. Taisnstūrveida paliktņis 3. Putekļu izvades atveres

6. Lai noņemtu abrazīvo papīru, noplēsiet to, sākot no malas.

## Putekļu maisa uzstādīšana un noņemšana

### Papildpiederums

Uzlieciet putekļu maisu pāri konusveida putekļu caurulei, kas atrodas motora korpusa aizmugurē. Pārlieciet putekļu maisa sprauslu maksimāli tālu pāri putekļu caurulei, lai ekspluatācijas laikā tās neatdalītos.

- **Att.24:** 1. Putekļu caurule 2. Putekļu sprausla 3. Putekļu maiss

**IEVĒRĪBAI:** Nesot darbarīku, neturiet to aiz putekļu maisa. Citādi darbarīks var nokrist un tikt sabojāts.

**PIEZĪME:** Lai nodrošinātu optimālu putekļu savākšanu, iztukšojiet putekļu maisu, tiklīdz tas piepildās aptuveni līdz pusei no pilnās ietilpības.

Noņemiet putekļu maisu no darbarīka un noņemiet putekļu uzgali. Pēc tam viegli pakratiet vai pasitiet putekļu maisu, lai iztukšotu to.

- **Att.25:** 1. Putekļu uzgali

## Putekļu nodalījuma uzstādīšana un noņemšana

### Papildpiederums

Uzlieciet putekļu nodalījumu uz konusveida putekļu izvadcaurules, kas atrodas motora korpusa aizmugurē. Uzbidiet putekļu sprauslu pēc iespējas tālāk pāri putekļu izvadcaurulei, lai ekspluatācijas laikā tā neatdalītos.

- **Att.26:** 1. Putekļu caurule 2. Putekļu sprausla 3. Putekļu uzgali 4. Putekļu nodalījums

**IEVĒRĪBAI:** Nesot darbarīku, neturiet to aiz putekļu nodalījuma. Citādi darbarīks var nokrist un tikt sabojāts.

**PIEZĪME:** Lai nodrošinātu optimālu putekļu savākšanu, iztukšojiet putekļu nodalījumu, tiklīdz tas piepildās aptuveni līdz pusei no pilnās ietilpības.

1. Izņemiet putekļu nodalījumu no darbarīka.
2. Abās putekļu nodalījuma pusēs turot nospiešus fiksatorus, atvienojiet putekļsūcēja uzgali no putekļu nodalījuma.
3. Viegli pakratiet un pasitiet putekļu nodalījumu, lai iztukšotu to.

## Papīra filtra nomaiņa

**IEVĒRĪBAI:** Atkārtoti liekot kopā detaļas, atceirieties, ka logotīpiem, kas redzami uz putekļu nodalījuma, papīra filtra un putekļu uzgaļa, jābūt vērštiem vienā virzienā.

1. Izņemiet putekļu nodalījumu no darbarīka.
2. Abās putekļu nodalījuma pusēs turot nospiešus fiksatorus, atvienojiet putekļsūcēja uzgali no putekļu nodalījuma.  
► **Att.27:** 1. Putekļsūcēja uzgals 2. Putekļu nodalījums 3. Fiksators
3. Turiet kartona izgriezuma augšējo malu un nopļēsiet kartonu virzienā uz leju, lai atvienotu kartona augšējo ārējo malu no augšējā ieliektā izciļņa, kas atrodas uz putekļu nodalījuma malas.
4. Izņemiet papīra filtru no putekļu nodalījuma, vienlaikus izvelkot kartona izgriezuma apakšējo malu no apakšējā ieliektā izciļņa.  
► **Att.28:** 1. Papīra filtrs 2. Kartona izgriezums 3. Augšējais ieliektais izcilnis 4. Apakšējais ieliektais izcilnis 5. Putekļu nodalījums
5. Ievietojiet papīra filtru, piestiprinot kartona izgriezuma apakšējo malu apakšējam ieliektajam izcilnim un spiežot augšējo malu uz iekšu, līdz tā fiksējas augšējā ieliektajā izcilnī.  
► **Att.29:** 1. Papīra filtrs 2. Kartona izgriezums 3. Augšējais ieliektais izcilnis 4. Apakšējais ieliektais izcilnis 5. Putekļu nodalījums
6. Iespiediet putekļsūcēja uzgali tam paredzētajā vietā, vienlaikus abās putekļu nodalījuma pusēs turot nospiešus fiksatorus.  
► **Att.30:** 1. Putekļsūcēja uzgals 2. Putekļu nodalījums 3. Fiksators

## Savienošana ar putekļu sūcēju

### Papildpiederums

Ja slīpējot vēlaties saglabāt tīrību, pievienojiet darbarīkam Makita putekļu sūcēju. Lai izveidotu savienojumu, izmantojiet vai nu papildaprīkojuma 28 mm šļūteni, vai 22. izmēra priekšējās uznavas kopā ar putekļu sūcēja komplektācijā iekļauto šļūteni.

- **Att.31:** 1. Putekļu caurule 2. Priekšējā uznava 3. Šļūtene 4. Putekļu sūcējs

## EKSPLUATĀCIJA

### Slīpēšana

**UZMANĪBU:** Vienmēr pārliecinieties, vai apstrādājama materiāls ir droši fiksēts.

**IEVĒRĪBAI:** Nekādā gadījumā nelietojiet darbarīku bez abrazīvā papīra. Tā var būtiski sabojāt paliktņi.

**IEVĒRĪBAI:** Nekādā gadījumā nespiediet darbarīku ar spēku. Pārmērīgs spiediens var samazināt slīpēšanas efektivitāti, sabojāt smilšpapīru un/vai saīsināt darbarīka darbmužu.

Darbarīku turiet cieši. Ieslēdziet darbarīku un uzgaidiet, līdz tas sasniedz pilnu ātrumu. Tad uzmanīgi novietojiet darbarīku uz apstrādājamās virsmas. Apdares slīpmašīnu parasti izmanto tikai neliela materiāla daudzuma noņemšanai vienā reizē. Tā kā virsmas kvalitāte ir svarīgāka par noņemto materiāla daudzumu, nespiediet darbarīku ar spēku. Pamatni vienmēr turiet vienā līmenī ar apstrādājamo materiālu.

► **Att.32**

Strādājot ar trijstūrveida/taisnstūrveida paliktņi, iespējams slīpēt materiālu ar paliktņa augšpusi un apakšpusi. Tas ir noderīgi, ja jūs slīpējat, piemēram, žāļūzijas tipa restes.

► **Att.33**

## APKOPE

**UZMANĪBU:** Pirms darbarīka pārbaudes vai apkopes vienmēr pārliecinieties, ka darbarīks ir izslēgts un akumulatora kasetne ir izņemta.

**IEVĒRĪBAI:** Nekad neizmantojiet gazoļīnu, benzīnu, atšķaidītāju, spirtu vai līdzīgus šķidrumus. Tas var radīt izbalēšanu, deformāciju vai plaisas.

Lai saglabātu izstrādājuma DROŠU un UZTICAMU darbību, remontdarbus, apkopi un regulēšanu uzticiet veikt tikai Makita pilnvarotam vai rūpnīcas apkopes centram, un vienmēr izmantojiet tikai Makita rezerves daļas.

### Pēc lietošanas

Periodiski noslaukiet darbarīku ar sausu drānu vai ziepjūdeni viegli samitrinātu drānu.

## PAPILDU PIEDERUMI

**UZMANĪBU:** Šādi piederumi un papildierīces tiek ieteiktas lietošanai ar šajā rokasgrāmātā aprakstīto Makita darbarīku. Izmantojot citus piederumus vai papildierīces, var tikt radīta trauma gūšanas bīstamība. Piederumu vai papildierīci izmantojiet tikai paredzētajam mērķim.

Ja jums vajadzīga palīdzība vai precīzāka informācija par šiem piederumiem, vērsieties savā tuvākajā Makita apkopes centrā.

- Abrazīvais papīrs (līplente)
- Abrazīvais papīrs (skava)
- Kvadrātveida paliktņi (līplente)
- Kvadrātveida paliktņi (skava)
- Taisnstūrveida paliktņi
- Trijstūrveida paliktņi
- Putekļu maiss
- Putekļu ieliktnis
- Filtrs
- Papīra filtrs
- Makita oriģinālais akumulators un lādētājs

**PIEZĪME:** Daži sarakstā norādītie izstrādājumi var būt iekļauti instrumenta komplektācijā kā standarta piederumi. Tie dažādās valstīs var būt atšķirīgi.



## SPECIFIKACIJOS

| Modelis:                     |                                       | DBO480  | DBO481       | DBO482 |
|------------------------------|---------------------------------------|---|--------------|--------|
| Pado dydis                   | Kvadratinis padas                     | 112 mm x 102 mm   |              |        |
|                              | Trikampis padas                       | 112 mm x 190 mm   |              |        |
|                              | Stačiakampis padas                    | 112 mm x 168,5 mm   |              |        |
| Šlifavimo popierius          | Kvadratiniam padui (su lipukais)      | 114 mm x 102 mm   |              |        |
|                              | Kvadratiniam padui (prispaudžiamasis) | 114 mm x 140 mm   |              |        |
|                              | Trikampiam padui                      | Stačiakampis popierius: 114 mm x 102 mm<br>Trikampis popierius: 96 mm |              |        |
|                              | Stačiakampiam padui                   | 112 mm x 168,5 mm, 112 mm x 66 mm                                     |              |        |
| Sūkių per minutę             | Didelis                               | 14 000 min <sup>-1</sup>  |              |        |
|                              | Mažas                                 | 11 000 min <sup>-1</sup>  |              |        |
| Bendrasis ilgis (su BL1860B) |                                       | 171 mm  |              |        |
| Vardinė įtampa               |                                       | Nuol. sr. 18 V  |              |        |
| Grynasis svoris              |                                       | 1,4 - 1,7 kg  | 1,4 - 1,8 kg |        |

- \* Standartinis padas priklauso nuo valstybės.
- Atliekame tęstinius tyrimus ir nuolatos tobuliname savo gaminius, todėl čia pateikiamos specifikacijos gali būti keičiamos be įspėjimo.
- Įvairiose šalyse specifikacijos ir akumuliatoriaus kasetė gali skirtis.
- Svoris gali priklausyti nuo priedo (-ų), įskaitant akumuliatoriaus kasetę. Lengviausias ir sunkiausias deriniai pagal EPTA 2014 m. sausio mėn. procedūrą yra parodyti lentelėje.

## Tinkama akumuliatoriaus kasetė ir (arba) įkroviklis

|                        |  |
|------------------------|--|
| Akumuliatoriaus kasetė | BL1815N / BL1820B / BL1830B / BL1840B / BL1850B / BL1860B    |
| Įkroviklis             | DC18RC / DC18RD / DC18RE / DC18SD / DC18SE / DC18SF / DC18SH |

- Atsižvelgiant į gyvenamosios vietos regioną, kai kurios pirmiau nurodytos akumuliatoriaus kasetės ir įkrovikliai gali būti neprieinami.

**⚠️ ĮSPĖJIMAS:** Naudokite tik akumuliatoriaus kasetes ir įkroviklius, kurie nurodyti anksčiau. Naudojant bet kurias kitas akumuliatoriaus kasetes ir įkroviklius, gali kilti sužeidimo ir gaisro pavojus.

## Numatytoji naudojimo paskirtis

Šis įrankis skirtas didelio paviršiaus ploto medienai, plastmasei ir metalinėms medžiagoms, taip pat dažyties paviršiams šlifuoti.

## Triukšmas

Įprastas triukšmo A lygis, nustatytas pagal EN62841-2-4:

### Modelis DBO480

Garso slėgio lygis ( $L_{pA}$ ): 75 dB (A)

Paklaida (K): 3 dB (A)

### Modelis DBO481

Garso slėgio lygis ( $L_{pA}$ ): 75 dB (A)

Paklaida (K): 3 dB (A)

### Modelis DBO482

Garso slėgio lygis ( $L_{pA}$ ): 75 dB (A)

Paklaida (K): 3 dB (A)

Dirbant triukšmo lygis gali viršyti 80 dB (A).

**PASTABA:** Paskelbta (-os) triukšmo reikšmė (-ės) nustatyta (-os) pagal standartinį testavimo metodą ir ji galima naudoti vienam įrankiui palyginti su kitu.

**PASTABA:** Paskelbta (-os) triukšmo reikšmė (-ės) taip pat gali būti naudojama (-os) norint preliminariai įvertinti triukšmo poveikį.

**⚠️ ĮSPĖJIMAS:** Dėvėkite ausų apsaugą.

**⚠️ ĮSPĖJIMAS:** Faktiškai naudojant elektrinį įrankį, keliamo triukšmo dydis gali skirtis nuo paskelbtos (-ų) reikšmės (-ių), priklausomai nuo būdų, kuriais yra naudojamas šis įrankis, ir ypač nuo to, kokio tipo ruošinys apdirbamas.

**⚠️ ĮSPĖJIMAS:** Siekdami apsaugoti operatorių, būtina įvertinkite saugos priemones, remdamesi vibracijos poveikio įvertinimu esant faktinėms naudojimo sąlygoms (atsižvelgdami į visas darbo ciklo dalis, pavyzdžiui, ne tik kiek laiko įrankis veikia, bet ir kiek kartų jis yra išjungiamas bei kai jis veikia be apkrovų).

## Vibracija

Vibracijos bendroji vertė (triacio vektoriaus suma) nustatyta pagal EN62841-2-4 standartą:

### Modelis DBO480

Darbo režimas: metalo plokštės šlifavimas (kvadratinis pagrindas)

Vibracijos emisija ( $a_h$ ): 2,5 m/s<sup>2</sup> arba mažiau

Paklaida (K): 1,5 m/s<sup>2</sup>

Darbo režimas: metalo plokštės šlifavimas

Vibracijos emisija ( $a_h$ ): 4,1 m/s<sup>2</sup>

Paklaida (K): 1,5 m/s<sup>2</sup>

### Modelis DBO481

Darbo režimas: metalo plokštės šlifavimas (kvadratinis pagrindas)

Vibracijos emisija ( $a_h$ ): 2,5 m/s<sup>2</sup> arba mažiau

Paklaida (K): 1,5 m/s<sup>2</sup>

### Modelis DBO482

Darbo režimas: metalo plokštės šlifavimas (kvadratinis pagrindas)

Vibracijos emisija ( $a_h$ ): 3,4 m/s<sup>2</sup>

Paklaida (K): 1,5 m/s<sup>2</sup>

**PASTABA:** Paskelbta (-os) vibracijos bendroji (-osios) reikšmė (-ės) nustatyta (-os) pagal standartinį testavimo metodą ir jį galima naudoti vienam įrankiui palyginti su kitu.

**PASTABA:** Paskelbta (-os) vibracijos bendroji (-osios) reikšmė (-ės) taip pat gali būti naudojama (-os) norint preliminariai įvertinti vibracijos poveikį.

**⚠️ ĮSPĖJIMAS:** Faktiškai naudojant elektrinį įrankį, keliamos vibracijos dydis gali skirtis nuo paskelbtos (-ų) reikšmės (-ių), priklausomai nuo būdų, kuriais yra naudojamas šis įrankis, ir ypač nuo to, kokio tipo ruošinys apdirbamas.

**⚠️ ĮSPĖJIMAS:** Siekdami apsaugoti operatorių, būtina įvertinkite saugos priemones, remdamiesi vibracijos poveikio įvertinimu esant faktinėms naudojimo sąlygoms (atsižvelgdami į visas darbo ciklo dalis, pavyzdžiui, ne tik kiek laiko įrankis veikia, bet ir kiek kartų jis yra išjungiamas bei kai jis veikia be apkrovų).

## EB atitikties deklaracija

### Tik Europos šalims

EB atitikties deklaracija yra pridėdama kaip šio instrukcijų vadovo A priedas.

## SAUGOS ĮSPĖJIMAI

### Bendrieji įspėjimai dirbant elektriniais įrankiais

**⚠️ ĮSPĖJIMAS:** Perskaitykite visus saugos įspėjimus, instrukcijas, iliustracijas ir techninius duomenis, pateiktus kartu su šiuo elektriniu įrankiu. Nesilaikant visų toliau išvardytų instrukcijų galima patirti elektros smūgį, gali kilti gaisras ir (arba) galima sunkiai susižaloti.

## Išsaugokite visus įspėjimus ir instrukcijas, kad galėtumėte jas peržiūrėti ateityje.

Terminas „elektrinis įrankis“ pateiktuose įspėjimuose reiškia į maitinimo tinklą jungiamą (laidinį) elektrinį įrankį arba akumuliatoriaus maitinamą (belaidį) elektrinį įrankį.

## Saugos įspėjimai dėl šliuoklio naudojimo

1. Būtinai naudokite apsauginius akinius. Įprastiniai akiniai ar akiniai nuo saulės NĖRA apsauginiai akiniai.
2. Tvirtai laikykite įrankį.
3. Nepalikite veikiančio įrankio. Naudokite įrankį tik laikydami rankomis.
4. Šis įrankis nėra atsparus vandeniui, todėl nenaudokite vandens ant ruošinio paviršiaus.
5. Atlikdami šlifavimo darbus, tinkamai vėdinkite darbo patalpą.
6. Kai kuriose medžiagose yra cheminių medžiagų, kurios gali būti nuodingos. Saugokitės, kad neįkvėptumėte dulkių ir nesiliestumėte oda. Laikykitės medžiagų tiekėjo saugos duomenų.
7. Naudojant šį įrankį tam tikriems gaminiams, dažams ir medžiui šliuotui, pavojų operatoriui gali kelti dulksė, kuriose yra pavojingų medžiagų. Naudokite tinkamą kvėpavimo takus apsaugančią apsaugą.
8. Prieš naudodami patikrinkite, ar diskas nėra įskilęs ar sulūžęs. Įskilimai ir lūžimai gali sužeisti.
9. Dirbdami įrankiu, atkreipkite dėmesį į savo stovėseną ir pusiausvyrą. Jei naudojate įrankį aukštai, išitinkite, ar apačioje nėra žmonių.

## SAUGOKITE ŠIAS INSTRUKCIJAS.

**⚠️ ĮSPĖJIMAS:** NELEISKITE, kad patogumas ir gaminio pažinimas (įgyjamas pakartotinai naudojant) susilpnintų griežtą saugos taisyklių, taikytinų šiam gaminiui, laikymąsi. Dėl NETINKAMO NAUDOJIMO arba saugos taisyklių, kurios pateiktos šioje instrukcijoje, nesilaikymo galima rimtai susižeisti.

## Svarbios saugos instrukcijos, taikomos akumuliatoriaus kasetei

1. Prieš naudodami akumuliatoriaus kasetę, perskaitykite visas instrukcijas ir perspėjimus ant (1) akumuliatorių įkroviklio, (2) akumuliatorių ir (3) akumuliatorių naudojančio gaminio.
2. Neardykite ir negadinkite akumuliatoriaus kasetės. Dėl to ji gali užsidegti, per daug įkaisti arba sprogti.
3. Jei įrankio darbo laikas žymiai sutrumpėjo, nedelsdami nutraukite darbą su įrankiu. Tai gali kelti perkaitimo, nudegimų ar net sprogdimo pavojų.
4. Jei elektrolitas pateko į akis, plaukite jas tyru vandeniu ir nedelsdami kreipkitės į gydytoją. Gali kilti regėjimo praradimo pavojus.

5. **Neužtrumpinkite akumulatoriaus kasetės:**

- (1) Nelieskite kontaktų degiomis medžiagomis.
- (2) Venkite laikyti akumulatoriaus kasetę kartu su kitais metaliniais daiktais, pavyzdžiui, vinimis, monetomis ir pan.
- (3) Saugokite akumulatoriaus kasetę nuo vandens ir lietaus.

Trumpasis jungimas akumulatoriuje gali sukelti stiprią srovę, perkaitimą, galimus nudegimus ar net akumulatoriaus gedimą.

6. Nelaikykite ir nenaudokite įrankio ir akumulatoriaus kasetės vietose, kur temperatūra gali pasiekti ar viršyti 50 °C (122 °F).
7. Nedeginkite akumulatoriaus kasetės, net jei yra stipriai pažeista ar visiškai susidėvėjusi. Ugnyje akumulatoriaus kasetė gali sprogti.
8. Akumulatoriaus kasetės nekalkite, nepjaustykite ir nemėtykite ir taip pat jį netrankykite kietu daiktu. Taip elgiantis, ji gali užsidegti, per daug įkaisti arba sprogti.
9. Nenaudokite pažeisto akumulatoriaus.
10. Įdėtoms ličio jonų akumulatoriams taikomi Pavojingų prekių teisės akto reikalavimai. Komeracinis transportas, pvz., trečiųjų šalių, prekių vežimo atstovų, turi laikytis specialaus reikalavimo ant pakuotės ir ženklavimo. Norėdami paruošti siųstiną prekę, pasitarkite su pavojingų medžiagų specialistu. Be to, laikykitės galimai išsamesnių nacionalinių reglamentų. Užklijuokite juosta arba padenkite atvirus kontaktus ir supakuokite akumuliatorių taip, kad ji pakuotėje nejudėtų.
11. Kai išmetate akumulatoriaus kasetę, išimkite ją iš įrankio ir išmeskite saugioje vietoje. Vadovaukitės vietos reglamentais dėl akumuliatorių išmetimo.
12. Baterijas naudokite tik su „Makita“ nurodytais gaminiais. Baterijas įdėjus į netinkamus gaminius gali kilti gaisras, gaminyje pernelyg įkaisti, kilti sprogimas arba pratekėti elektrolitas.
13. Jei įrankis bus ilgą laiką nenaudojamas, akumuliatorių būtina išimti iš įrankio.
14. Darbo metu ir po akumulatoriaus kasetės gali būti įkaitusi ir dėl to nudeginti. Įmdami akumulatoriaus kasetes, būkite atsargūs.
15. Tuojau pat po naudojimo nelieskite įrankio gnybtų, nes jie gali būti įkaitę tiek, kad nudegins.
16. Neleiskite, kad į akumulatoriaus kasetės gnybtus, angas ir griovelius patektų drožlių, dulkių ar žemių. Jos gali sukelti kaitimą, užsidegti, sprogti ir sukelti įrankio ar akumulatoriaus kasetės gedimą, dėl ko galima susideginti ar susižaloti.
17. Jeigu įrankis nėra pritaikytas naudoti šalia aukštos įtampos elektros linijų, akumulatoriaus kasetės nenaudokite šalia aukštos įtampos elektros linijų. Dėl to gali sutrikti įrankio ar akumulatoriaus kasetės veikimas arba jie gali sugesti.
18. Laikykite akumuliatorių vaikams nepasiekiamose vietose.

## SAUGOKITE ŠIAS INSTRUKCIJAS.

**▲PERSPĖJIMAS:** Naudokite tik originalų „Makita“ akumuliatorių. Neoriginalaus „Makita“ arba pakeisto akumulatoriaus naudojimas gali nulemti gaisrą, asmens sužalojimą ir pažeidimą. Tai taip pat panaikina „Makita“ suteikiamą „Makita“ įrankio ir įkroviklio garantiją.

## Patarimai, ką daryti, kad akumulatorius veiktų kuo ilgiau

1. Pakraukite akumulatoriaus kasetę prieš jai visiškai išsikraunant. Visuomet nustokite naudoti įrankį ir pakraukite akumulatoriaus kasetę, kai pastebite, kad įrankio galia sumažėjo.
2. Niekada nekraukite iki galo įkrautas akumulatoriaus kasetės. Perkraunant trumpėja akumulatoriaus eksploatacijos laikas.
3. Akumulatoriaus kasetę kraukite esant kambario temperatūrai 10 - 40 °C. Prieš pradėdami krauti, leiskite įkautusiai akumulatoriaus kasetei atvėsti.
4. Kai akumulatoriaus kasetės nenaudojate, ją išimkite iš įrankio ar įkroviklio.
5. Įkraukite akumulatoriaus kasetę, jei jos nenaudojate ilgą laiką (ilgiau nei šešis mėnesius).

## VEIKIMO APRAŠYMAS

**▲PERSPĖJIMAS:** Prieš pradėdami reguliuoti arba tikrinti įrankio veikimą, visuomet būtinai išjunkite įrankį ir išimkite akumulatoriaus kasetę.

## Akumulatoriaus kasetės uždėjimas ir nuėmimas

**▲PERSPĖJIMAS:** Prieš įdėdami arba išimdami akumulatoriaus kasetę, visada išjunkite įrankį.

**▲PERSPĖJIMAS:** Įdėdami arba išimdami akumulatoriaus kasetę, tvirtai laikykite įrankį ir akumulatoriaus kasetę. Jeigu įrankį ir akumulatoriaus kasetę laikysite netvirtai, jie gali išslįsti iš jūsų rankų, todėl įrankis ir akumulatoriaus kasetė gali būti sugadinti, o naudotojas sužalotas.

- **Pav.1:** 1. Raudonas sandariklis (indikatorius)  
2. Mygtukas 3. Akumulatoriaus kasetė

Jei norite išimti akumulatoriaus kasetę, ištraukite ją iš įrankio, stumdami mygtuką, esantį kasetės priekyje.

Jei norite įdėti akumulatoriaus kasetę, ant akumulatoriaus kasetės esantį liežuvelį sutapdinkite su korpuso esančiu griovečiu ir įstumkite jį į skirtą vietą. Įstatykite iki pat galo, kad spragtelėdama užsifiksuotų. Jeigu matote raudoną sandariklį (indikatorių), kaip parodyta paveikslėlyje, ji nėra visiškai užfiksuota.

**▲PERSPĖJIMAS:** Akumulatoriaus kasetę visada įkiškite iki galo, kol nebematysite raudono sandariklio (indikatoriaus) Priešingu atveju ji gali atsitiktinai iškristi iš įrankio ir sužeisti jus arba aplinkinius.

**▲PERSPĖJIMAS:** Nekiškite akumulatoriaus kasetės jėga. Jeigu kasetė sunkiai lenda, ją kišate netinkamai.

## Likusios akumulatoriaus galios rodymas

### Tik akumulatoriaus kasetėms su indikatoriumi

► **Pav.2:** 1. Indikatorių lemputės 2. Tikrinimo mygtukas

Paspauskite akumulatoriaus kasetės tikrinimo mygtuką, kad būtų rodoma likusi akumulatoriaus energija. Maždaug trims sekundėms užsidegs indikatorių lemputės.

| Indikatorių lemputės |           |        | Likusi galia                                  |
|----------------------|-----------|--------|---|
| Šviečia              | Nešviečia | Blyksi |   |
|                      |           |        | 75 - 100 %                                    |
|                      |           |        | 50 - 75 %                                     |
|                      |           |        | 25 - 50 %                                     |
|                      |           |        | 0 - 25 %                                      |
|                      |           |        | Įkraukite akumulatorių.                       |
|                      |           |        | Galimai įvyko akumulatoriaus veikimo triktis. |
|                      |           |        |   |

**PASTABA:** Rodmuo gali šiek tiek skirtis nuo faktinės energijos lygio – tai priklauso nuo naudojimo sąlygų ir aplinkos temperatūros.

**PASTABA:** Veikiant akumulatoriaus apsaugos sistemai ims mirksėti pirmoji (toliausiai kairėje) indikatoriaus lemputė.

## Įrankio / akumulatoriaus apsaugos sistema

Įrankyje įrengta įrankio / akumulatoriaus apsaugos sistema. Ši sistema automatiškai atjungia variklio maitinimą, kad įrankis ir akumulatorius ilgiau veiktų. Įrankis automatiškai išsijungs darbo metu esant vienai iš toliau nurodytų įrankio arba akumulatoriaus darbo sąlygų:

### Apsauga nuo perkrovos

Kai įrankis arba akumulatorius naudojamas taip, kad neįprastai padidėja elektros srovė, įrankis automatiškai išsijungia be jokių indikatorių įspėjimų. Tokiu atveju atleiskite įrankio gaiduką ir nutraukite darbą, dėl kurio kilo įrankio perkrova. Tada vėl įjunkite įrankį.

### Apsauga nuo perkaitimo

Kai įrankis arba akumulatorius perkaista, įrankis automatiškai išsijungia. Tokiu atveju, prieš vėl jungdami įrankį, leiskite įrankiui ir akumulatoriui atvėsti.

### Apsauga nuo visiško išsekimo

Kai akumulatoriaus įkrovos lygis nepakankamas, įrankis automatiškai išsijungia. Tokiu atveju ištraukite akumulatorių iš įrankio ir įkraukite jį.

## Apsauga nuo kitų sutrikimų

Apsaugos sistema taip pat apsaugo nuo kitų sutrikimų, galinčių pažeisti įrankį, todėl automatiškai jį išjungia. Įrankiui laikinai sustojus arba veikimo metu išsijungus, imkitės visų toliau nurodytų veiksmų ir pašalinkite sutrikimo priežastis.

1. Išjunkite įrankį, tada vėl įjunkite, kad paleistumėte iš naujo.
2. Įkraukite akumulatorių (-ius) arba jį (juos) pakeiskite įkrautu (-ais) akumulatoriumi (-iais).
3. Palaukite, kol įrankis ir akumulatorius (-iai) atvės.

Jei atstačius apsaugos sistemą veikimas nepagerėja, kreipkitės į vietos „Makita“ techninės priežiūros centrą.

## Jungiklio veikimas

**⚠️ PERSPĖJIMAS:** Venkite įjungti įrankį, kai jis padėtas ant ruošinio arba ant darbo stalo. Galima susižaloti arba patirti žalą.

## Įrankio įjungimas ir išjungimas

Norėdami paleisti įrankį, paspauskite maitinimo / greičio pasirinkimo mygtuką. Įrankis pradeda veikti didžiausiu sukimosi greičiu.

Norėdami įrankį sustabdyti, paspauskite sustabdymo mygtuką.

- **Pav.3:** 1. Maitinimo / greičio pasirinkimo mygtukas  
2. Sustabdymo mygtukas

## Įrankio greičio keitimas

Galima pasirinkti vieną iš dviejų sukimosi greičio režimų: didelį arba mažą. Pasirinkite režimą pagal naudojimo sritį ir apkrovą.

Norėdami perjungti greičio režimą, įrankiui veikiant paspauskite maitinimo / greičio pasirinkimo mygtuką.

- **Pav.4:** 1. Maitinimo / greičio pasirinkimo mygtukas

### Greičio nuostatų lentelė

| Greičio lygis | Sūkių per minutę                |
|---------------|---------------------------------|
| 2 (didelis)   | 14 000 min <sup>-1</sup> (/min) |
| 1 (mažas)     | 11 000 min <sup>-1</sup> (/min) |

**PASTABA:** Jeigu įrankiu ilgą laiką be pertraukos dirbama nedideliu greičiu, variklis bus perkrautas ir įrankis suges.

**PASTABA:** Pasirinkite šlifavimo darbams tinkamą greičio intervalą, kad išvengtumėte perkaitimo ir ruošinio lydymosi. Šlifavimas dideliu sukimosi greičiu gali įkaitinti ruošinį ir išlydyti jį susilietimo vietoje.

## SURINKIMAS

**⚠️ PERSPĖJIMAS:** Prieš darydami ką nors įrankiui visada patikrinkite, ar įrenginys išjungtas, o akumulatorių kasetė – nuimta.

## Šlifavimo popieriaus montavimas ir nuėmimas

**▲ PERSPĖJIMAS:** Prieš naudodami visada įsitikinkite, kad šlifavimo popieriaus lapas yra patikimai sumontuotas. Priešingu atveju šlifavimo popierius gali atsilaisvinti, būti lengvai nuimamas ir pasislinkti, todėl šlifavimas gali būti netolygus.

**PASTABA:** Iš anksto sulenkus, popierių lengviau sumontuoti.

## Šlifavimo popieriaus be dulkių siurbimo skylės naudojimas

1. Iškirpkite tinkamo dydžio šlifavimo popieriaus lapą.  
▶ **Pav.5:** 1. Šlifavimo popierius 2. Padas
2. Paspauskite ir laikykite prispaudę spaustuvo svirtelę, esančią priekiniame arba galiniame pado gale, ir nustumkite ją nuo stabdiklio, kad spaustuvas atsilaisvintų iš užfiksuotos padėties.
3. Patraukite spaustuvo svirtelę kiek įmanoma į išorę, kad tarp spaustuvo ir šoninės šlifavimo pagrindo sienelės atsirastų tarpas, į kurį būtų galima įstatyti vieną šlifavimo popieriaus galą.
4. Įkiškite vieną šlifavimo popieriaus galą į tarpą tarp spaustuvo ir šlifavimo pagrindo.
5. Permontuokite šlifavimo popierių taip, kad jis gerai uždengtų pado paviršių.
6. Nustatykite spaustuvo svirtelę atgal į užrakintą padėtį, kad šlifavimo popieriaus galas būtų tvirtai užspaustas.
7. Atlaisvinkite spaustuovą kitame gale ir paruoškite kitą šlifavimo popieriaus galą užspausti.
8. Išlaikykite tinkamą šlifavimo popieriaus įtempį, tada nustatykite spaustuvo svirtelę kitame gale į užrakinimo padėtį.  
▶ **Pav.6:** 1. Šlifavimo popierius 2. Spaustuvas 3. Šlifavimo pagrindas 4. Spaustuvo svirtelė 5. Stabdiklis
9. Uždenkite šlifavimo popierių dengiamąją plokštę taip, kad jos padėties nustatymo stabdikliai, esantys greta kampo, gerai priglustų prie dviejų šoninių pado ir šlifavimo pagrindo kraštų.  
▶ **Pav.7:** 1. Šlifavimo popierius 2. Dengiamoji plokštė 3. Padėties nustatymo stabdikliai 4. Padas 5. Šlifavimo pagrindas
10. Stumkite dengiamąją plokštę virš šlifavimo popieriaus, kad padarytumėte dulkių siurbimo skylę.
11. Norėdami išimti šlifavimo popierių, atlaisvinkite abiejų galų spaustukus ir nuimkite popierių nuo pado.

## Šlifavimo popieriaus su dulkių siurbimo skylė naudojimas

### Pasirenkamasis priedas

1. Paspauskite ir laikykite prispaudę spaustuvo svirtelę, esančią priekiniame arba galiniame pado gale, ir nustumkite ją nuo stabdiklio, kad spaustuvas atsilaisvintų iš užfiksuotos padėties.
2. Patraukite spaustuvo svirtelę kiek įmanoma į išorę, kad tarp spaustuvo ir šoninės šlifavimo pagrindo sienelės atsirastų tarpas, į kurį būtų galima įstatyti vieną šlifavimo popieriaus galą.

3. Šlifavimo popieriaus lapą sumontuokite ant pado, sulygiuodami dulkių siurbimo skylę popieriuje su skylėmis pade.  
▶ **Pav.8:** 1. Šlifavimo popierius 2. Padas 3. Dulkių siurbimo skylė
4. Įkiškite vieną šlifavimo popieriaus galą į tarpą tarp spaustuvo ir šlifavimo pagrindo.
5. Nustatykite spaustuvo svirtelę atgal į užrakintą padėtį, kad šlifavimo popieriaus galas būtų tvirtai užspaustas.
6. Atlaisvinkite spaustuovą kitame gale ir paruoškite kitą šlifavimo popieriaus galą užspausti.
7. Išlaikykite tinkamą šlifavimo popieriaus įtempį, tada nustatykite spaustuvo svirtelę kitame gale į užrakinimo padėtį.  
▶ **Pav.9:** 1. Šlifavimo popierius 2. Spaustuvas 3. Šlifavimo pagrindas 4. Spaustuvo svirtelė 5. Stabdiklis
8. Norėdami išimti šlifavimo popierių, atlaisvinkite abiejų galų spaustukus ir nuimkite popierių nuo pado.

## Šlifavimo popieriaus su lipukais naudojimas

**▲ PERSPĖJIMAS:** Tinkamai ir tvirtai įdėkite prilipantį padą. Atsilaisvinęs priedas išsibalansuos ir sukels pernelyg didelę vibraciją, dėl to galima prarasti kontrolę.

**▲ PERSPĖJIMAS:** Užtikrinkite, kad padas ir šlifavimo popierius su lipukais būtų sulygiuoti ir gerai sumontuoti.

**▲ PERSPĖJIMAS:** Naudokite tik šlifavimo popierių su lipukais. Šiam įrenginiui netinka slėgiui jautrus šlifavimo popierius.

### DBO480

1. Pašalinkite iš lipukų pado visus nešvarumus ir pašalines medžiagas.
2. Ant pado sumontuokite pasirinktinio šlifavimo popieriaus lapą su lipukais, sulygiuodami dulkių siurbimo skylę popieriuje su skylėmis pade.  
▶ **Pav.10:** 1. Šlifavimo popierius 2. Padas 3. Dulkių siurbimo skylės
3. Jei norite nuimti šlifavimo popierių, plėškite jį nuo krašto.

### DBO481 ir DBO482

**PASTABA:** Keičiant padą, iš šlifavimo pagrindo gali išlįsti dangtelis arba sandarinimo žiedas. Prieš montuodami pasirinktinį padą, nustatykite dangtelį arba sandarinimo žiedą atgal į apskritą kiaurymę arba apskritą griovelį aplink pagrindo centrą.

### DBO481

- ▶ **Pav.11:** 1. Dangtelis 2. Šlifavimo pagrindas 3. Apskrita kiaurymė

### DBO482

- ▶ **Pav.12:** 1. Sandarinimo žiedas 2. Šlifavimo pagrindas 3. Apskritas griovelis

1. Atlaisvinkite ir išsukite keturis sraigtus, kuriais padas pritvirtintas prie šlifavimo pagrindo.  
▶ **Pav.13:** 1. Sraigčiai 2. Padas 3. Šlifavimo pagrindas
2. Standartinį šlifavimo padą pakeiskite pasirinktiniu padu su lipdukais.

3. Tvirtai užveržkite sraigtus, kad padas su lipdukais būtų užtvirtintas.

► **Pav.14:** 1. Šlifavimo popierius 2. Padas 3. Dulkių siurbimo skylės

4. Pašalinkite iš lipukų pado visus nešvarumus ir pašalines medžiagas.

5. Ant pado sumontuokite pasirinktinio šlifavimo popieriaus lapą su lipukais, sulygiuodami dulkių siurbimo skyles popieriuje su skylėmis pade.

► **Pav.15:** 1. Šlifavimo popierius 2. Padas 3. Dulkių siurbimo skylės

6. Jei norite nuimti šlifavimo popierių, plėškite jį nuo krašto.

## Trikampio / stačiakampio šlifavimo popieriaus naudojimas

### Pasirenkamasis priedas

**▲ PERSPĖJIMAS:** Tinkamai ir tvirtai suumontuokite lipukų padą. Atsilaisvinęs priedas išsibalansuos ir sukels pernelyg didelę vibraciją, dėl to galima prarasti kontrolę.

**▲ PERSPĖJIMAS:** Užtikrinkite, kad padas ir šlifavimo popierius su lipukais būtų sulygiuoti ir gerai sumontuoti.

**▲ PERSPĖJIMAS:** Naudokite tik šlifavimo popierių su lipukais. Šiam įrenginiui netinka slėgiui jautrus šlifavimo popierius.

**PASTABA:** Keičiant padą, iš šlifavimo pagrindo gali išlįsti dangtelis arba sandarinimo žiedas. Prieš montuodami pasirinktinį padą, nustatykite dangtelį arba sandarinimo žiedą atgal į apskritą kiaurymę arba apskritą griovelį aplink pagrindo centrą.

### DBO480, DBO481

► **Pav.16:** 1. Dangtelis 2. Šlifavimo pagrindas 3. Apskrita kiaurymė

### DBO482

► **Pav.17:** 1. Sandarinimo žiedas 2. Šlifavimo pagrindas 3. Apskritas griovelis

1. Atlaisvinkite ir išsukite keturis sraigtus, kuriais padas pritvirtintas prie šlifavimo pagrindo.

► **Pav.18:** 1. Sraigtai 2. Padas 3. Šlifavimo pagrindas

2. Pakeiskite standartinį padą trikampiu / stačiakampiu padu.

3. Tvirtai užveržkite sraigtus, kad trikampis / stačiakampis padas būtų užtvirtintas.

### Trikampis padas

► **Pav.19:** 1. Sraigtai 2. Trikampis padas 3. Šlifavimo pagrindas

Galite montuoti šlifavimo popierių pado šone, kaip parodyta.

► **Pav.20:** 1. Šlifavimo popierius 2. Padas

### Stačiakampis padas

► **Pav.21:** 1. Sraigtai 2. Stačiakampis padas 3. Šlifavimo pagrindas

4. Pašalinkite iš trikampio / stačiakampio pado visus nešvarumus ir pašalines medžiagas.

5. Ant trikampio / stačiakampio pado sumontuokite pasirinktinio šlifavimo popieriaus lapą su lipukais, sulygiuodami dulkių siurbimo skyles popieriuje su skylėmis pade.

### Trikampis padas

► **Pav.22:** 1. Šlifavimo popierius 2. Trikampis padas 3. Dulkių siurbimo skylės

### Stačiakampis padas

► **Pav.23:** 1. Šlifavimo popierius 2. Stačiakampis padas 3. Dulkių siurbimo skylės

6. Jei norite nuimti šlifavimo popierių, plėškite jį nuo krašto.

## Dulkių maišelio įdėjimas ir išėmimas

### Pasirenkamasis priedas

Pritvirtinkite dulkių maišelį prie variklio korpuso galinėje dalyje esančio kūginės dulkių išleidžiamosios angos. Maišelio dulkių įleidimo angą tvirtai užmaukite ant dulkių išleidžiamosios angos, kad darbo metu maišelis nenukristų.

► **Pav.24:** 1. Dulkių išleidžiamoji anga 2. Dulkių įleidžiamoji anga 3. Dulkių maišelis

**PASTABA:** Nešdami įrankį, nelaikykite jo už dulkių maišelio. Kitaip įrankis gali nukristi ir būti sugadintas.

**PASTABA:** Norėdami užtikrinti optimalų dulkių surinkimą, ištuštinkite dulkių maišelį, kai jis prisipildo maždaug iki pusės savo talpos.

Nuimkite dulkių maišelį nuo įrankio ir nuimkite dulkių ištraukimo antgalį. Tada švelniai pakratykite arba pabaksnokite dulkių maišelį, kad jis išsitsuštintų.

► **Pav.25:** 1. Dulkių ištraukimo antgalis

## Dulkių dėžės įdėjimas ir išėmimas

### Pasirenkamasis priedas

Pritvirtinkite dulkių dėžę prie variklio korpuso galinėje dalyje esančios kūginės dulkių išleidžiamosios angos. Dulkių įleidžiamąją angą tvirtai užmaukite ant dulkių išleidžiamosios angos, kad darbo metu jis nenukristų.

► **Pav.26:** 1. Dulkių išleidžiamoji anga 2. Dulkių įleidžiamoji anga 3. Dulkių ištraukimo antgalis 4. Dulkių dėžė

**PASTABA:** Nešdami įrankį, nelaikykite jo už dulkių dėžės. Kitaip įrankis gali nukristi ir būti sugadintas.

**PASTABA:** Norėdami užtikrinti optimalų dulkių surinkimą, ištuštinkite dulkių dėžę, kai ji prisipildo maždaug iki pusės savo talpos.

1. Nuimkite nuo įrankio dulkių dėžę.
2. Nuspausdami ir laikydami abiejose dėžės pusėse esančius fiksatorius, nuimkite dulkių ištraukimo antgalį nuo dėžės.
3. Švelniai pakratykite arba pabaksnokite dulkių dėžę, kad ji išsitsuštintų.

## Popierinio filtro keitimas

**PASTABA:** Surinkdami komponentus, atkreipkite dėmesį, kad logotipai ant dulkių dėžės, popierinio filtro ir dulkių ištraukimo antgalio būtų nukreipti viena kryptimi.

1. Nuimkite nuo įrankio dulkių dėžę.
2. Nuspausdami ir laikydami abiejose dėžės pusėse esančius fiksatorius, nuimkite dulkių ištraukimo antgalį nuo dėžės.  
► **Pav.27:** 1. Dulkių ištraukimo antgalis 2. Dulkių dėžė 3. Fiksavimo skląstis
3. Laikykite vidinį viršutinį kartoninės angos kraštą ir patraukite jį žemyn, kad išorinis viršutinis kartoninės angos kraštas atsikabintų nuo viršutinės užkabinimo auselės, esančios ant dulkių dėžės briaunos.
4. Išimkite popierinį filtrą iš dulkių dėžės, traukdami išorinį apatinį kartoninės angos kraštą nuo apatinės užkabinimo auselės.  
► **Pav.28:** 1. Popierinis filtras 2. Kartoninė anga 3. Viršutinė užkabinimo auselė 4. Apatinė užkabinimo auselė 5. Dulkių dėžė
5. Pakeiskite popierinį filtrą, įkišdami apatinį kartono angos kraštą į apatinę užkabinimo auselę, ir stumkite viršutinį kraštą į vidų, kol jis užsifiksuos viršutinėje užkabinimo auselėje.  
► **Pav.29:** 1. Popierinis filtras 2. Kartoninė anga 3. Viršutinė užkabinimo auselė 4. Apatinė užkabinimo auselė 5. Dulkių dėžė
6. Nuspausdami ir laikydami abiejose dulkių dėžės pusėse esančius fiksavimo skląstius, įstatykite dulkių ištraukimo antgalį.  
► **Pav.30:** 1. Dulkių ištraukimo antgalis 2. Dulkių dėžė 3. Fiksavimo skląstis

## Prijungimas prie vakuuminio valymo įrenginio

### Pasirenkamasis priedas

Norėdami, kad šlifavimas vyktų švariai, prie savo įrankio prijunkite „Makita“ vakuuminį valymo įrenginį. Prijungimui naudokite pasirinktinę 28 mm žarną arba kartu su valymo įrenginiu pateikiamą 22 priekinių antgalių ir žarnos derinį.  
► **Pav.31:** 1. Dulkių išleidžiamoji anga 2. Priekinis antgalis 3. Žarna 4. Vakuuminis valymo įrenginys

## NAUDOJIMAS

### Šlifavimo darbai

**PERSPĖJIMAS:** Užtikrinkite, kad ruošinys būtų gerai įtvirtintas.

**PASTABA:** Niekada nenaudokite įrankio be šlifavimo popieriaus. Galite rimtai sugadinti padą.

**PASTABA:** Niekada nespauskite įrankio per jėgą. Pernelyg spaudžiant gali sumažėti šlifavimo veiksmingumas, galima sugadinti šlifavimo popierių ir (arba) sutrumpinti įrankio eksploatacijos trukmę.

Tvirtai laikykite įrankį. Įjunkite įrankį ir palaukite, kol jis pradės sukintis visu greičiu. Po to švelniai nuleiskite įrankį ant ruošinio paviršiaus. Šlifuojuvas paprastai naudojamas mažam medžiagos kiekiui vienu metu pašalinti. Šlifuojamo daikto paviršiaus kokybė yra svarbesnė už nušlifotos medžiagos kiekį, todėl nespauskite įrankio. Visada laikykite įrankio pagrindą sulig ruošiniu.

### ► Pav.32

Šlifudami trikampių / stačiakampių padu, galite šlifuoti medžiagą viršutine arba apatine pado puse. Tai patogų šlifuojant kai kuriuos objektus, pvz., žaliuzes.

### ► Pav.33

## TECHNINĖ PRIEŽIŪRA

**PERSPĖJIMAS:** Visuomet įsitikinkite, ar įrankis yra išjungtas ir akumuliatoriaus kasetė yra nuimta prieš atlikdami apžiūrą ir priežiūrą.

**PASTABA:** Niekada nenaudokite gazolino, benzino, tirpiklio, spirito arba panašių medžiagų. Gali atsirasti išblukimų, deformacijų arba įtrūkimų.

Kad gaminys būtų SAUGUS ir PATIKIMAS, jį taisyti, apžiūrėti ar vykdyti bet kokią kitą priežiūrą ar derinimą turi įgaliotasis kompanijos „Makita“ techninės priežiūros centras; reikia naudoti tik kompanijos „Makita“ pagamintas atsargines dalis.

### Po naudojimo

Reguliariai valykite įrankį sausa šluoste arba nedideliu kiekiu muiluoto vandens sudrėkinta šluoste.

## PASIRENKAMI PRIEDAI

**PERSPĖJIMAS:** Šiuos papildomus priedus arba įtaisus rekomenduojama naudoti su šioje instrukcijoje nurodytu „Makita“ bendrovės įrankiu. Naudojant bet kokius kitus papildomus priedus arba įtaisus, gali kilti pavojus sužeisti žmones. Naudokite tik nurodytam tikslui skirtus papildomus priedus arba įtaisus.

Jeigu norite daugiau sužinoti apie tuos priedus, kreipkitės į artimiausią „Makita“ techninės priežiūros centrą.

- Šlifavimo popieriaus (su lipukais)
- Šlifavimo popierius (prispaudžiamasis)
- Kvadratinis padas (su lipukais)
- Kvadratinis padas (prispaudžiamasis)
- Stačiakampis padas
- Trikampis padas
- Dulkių surinkimo maišelis
- Dulkių dėžė
- Filtras
- Popierinis filtras
- Originalus „Makita“ akumuliatorius ir įkroviklis

**PASTABA:** Kai kurie sąrašė esantys priedai gali būti pateikti įrankio pakuotėje kaip standartiniai priedai. Jie įvairiose šalyse gali skirtis.

## TEHNILISED ANDMED

| Mudel:                            |   | DBO480   | DBO481       | DBO482 |
|-----------------------------------|---|--|--------------|--------|
| Talla suurus                      | Ruudukujuline tald                      | 112 mm x 102 mm  |              |        |
|                                   | Kolmnurkne tald                         | 112 mm x 190 mm  |              |        |
|                                   | Ristkülikukujuline tald                 | 112 mm x 168,5 mm  |              |        |
| Lihvpaber                         | Ruudukujulisele tallale (takjakinnitus) | 114 mm x 102 mm  |              |        |
|                                   | Ruudukujulisele tallale (klamber)       | 114 mm x 140 mm  |              |        |
|                                   | Kolmnurksele tallale                    | Ristkülikukujuline paber: 114 mm x 102 mm<br>Kolmnurkne paber: 96 mm |              |        |
|                                   | Ristkülikukujulisele tallale            | 112 mm x 168,5 mm, 112 mm x 66 mm                                    |              |        |
| Pöördeid minutis                  | Kiire                                   | 14 000 min <sup>-1</sup>   |              |        |
|                                   | Aeglane                                 | 11 000 min <sup>-1</sup>   |              |        |
| Üldpikkus (koos mudeliga BL1860B) |   | 171 mm   |              |        |
| Nimipinge                         |   | Alalisvool 18 V  |              |        |
| Netokaal                          |   | 1,4 - 1,7 kg   | 1,4 - 1,8 kg |        |

- \* Standardtald erineb riigiti.
- Meie pideva uuringu- ja arendusprogrammi tõttu võidakse tehnilisi andmeid muuta ilma sellest ette teatamata.
- Tehnilised andmed ja akukassett võivad riigiti erineda.
- Kaal võib erineda olenevalt lisaseadistest, kaasa arvatud akukassetist. Kergeim ja raskeim kombinatsioon EPTA-protseeduuri 01/2014 kohaselt on toodud tabelis.

### Sobiv akukassett ja laadija

|            |  |
|------------|--|
| Akukassett | BL1815N / BL1820B / BL1830B / BL1840B / BL1850B / BL1860B    |
| Laadija    | DC18RC / DC18RD / DC18RE / DC18SD / DC18SE / DC18SF / DC18SH |

- Mõned eespool loetletud akukassetid ja -laadijad ei pruugi olla teie riigis saadaval.

**⚠ HOIATUS:** Kasutage ainult ülalpool loetletud akukassette ja laadijaid. Muude akukassettide ja laadijate kasutamine võib tekitada vigastusi ja/või tulekahju.

### Kavandatud kasutus

Tööriist on ette nähtud suurte puit-, plast- ja metallmaterjalist pindade, samuti ka värvitud pindade lihvimiseks.

### Müra

Tüüpiline A-korrigeeritud müratase, määratud standardi EN62841-2-4 kohaselt:

#### Mudel DBO480

Helirõhutase ( $L_{pA}$ ): 75 dB (A)

Määramatus (K): 3 dB (A)

#### Mudel DBO481

Helirõhutase ( $L_{pA}$ ): 75 dB (A)

Määramatus (K): 3 dB (A)

#### Mudel DBO482

Helirõhutase ( $L_{pA}$ ): 75 dB (A)

Määramatus (K): 3 dB (A)

Töötamisel võib müratase ületada 80 dB (A).

**⚠ MÄRKUS:** Deklareeritud müra väärtust (väärtuseid) on mõõdetud kooskõlas standardse katsemeetodiga ning seda võib kasutada ühe seadme võrdlemiseks teisega.

**⚠ MÄRKUS:** Deklareeritud müra väärtust (väärtuseid) võib kasutada ka mürataseme esmaseks hindamiseks.

**⚠ HOIATUS:** Kasutage kõrvakaitsmeid.

**⚠ HOIATUS:** Müratase võib elektritööriista tege-  
liikkuses kasutamise ajal erineda deklareeritud  
väärtus(t)est olenevalt tööriista kasutusviisidest  
ja eriti töödeldavast toorikust.

**⚠ HOIATUS:** Rakendage operaatori kaitsmi-  
seks kindlasti piisavaid ohutusabinõusid, mis  
põhinevad hinnangulisel müratasemel tegelikus  
töösituatsioonis (võttes arvesse tööperioodi kõiki  
osasid, näiteks korrad, kui seade lülitatakse välja  
ja seade töötab tühikäigul, lisaks tööajale).



## Vibratsioon

Vibratsiooni koguväärtus (kolmeteljeliste vektorite summa) määratud standardi EN62841-2-4 kohaselt:

### Mudel DBO480

Töörežiim: metallplaadi lihvimine (ruudukujuline alus)

Vibratsiooniheid (a<sub>n</sub>): 2,5 m/s<sup>2</sup> või vähem

Määramatus (K): 1,5 m/s<sup>2</sup>

Töörežiim: metallplaadi lihvimine

Vibratsiooniheid (a<sub>n</sub>): 4,1 m/s<sup>2</sup>

Määramatus (K): 1,5 m/s<sup>2</sup>

### Mudel DBO481

Töörežiim: metallplaadi lihvimine (ruudukujuline alus)

Vibratsiooniheid (a<sub>n</sub>): 2,5 m/s<sup>2</sup> või vähem

Määramatus (K): 1,5 m/s<sup>2</sup>

### Mudel DBO482

Töörežiim: metallplaadi lihvimine (ruudukujuline alus)

Vibratsiooniheid (a<sub>n</sub>): 3,4 m/s<sup>2</sup>

Määramatus (K): 1,5 m/s<sup>2</sup>

**MÄRKUS:** Deklareeritud vibratsiooni koguväärtust (-väärtuseid) on mõõdetud kooskõlas standardse katsemeetodiga ning seda võib kasutada ühe seadme võrdlemiseks teistega.

**MÄRKUS:** Deklareeritud vibratsiooni koguväärtust (-väärtuseid) võib kasutada ka mürataseme esmaseks hindamiseks.

**⚠HOIATUS:** Vibratsioonitase võib elektritööriista tegelikuses kasutamise ajal erineda deklareeritud väärtus(t)est olenevalt tööriista kasutusviisidest ja eriti töödeldavast toorikust.

**⚠HOIATUS:** Rakendage operaatori kaitsmiseks kindlasti piisavaid ohutusabinõusid, mis põhinevad hinnangulisel müratasemel tegelikus tööstiituatsioonis (võttes arvesse tööperioodi kõiki osasid, näiteks korrad, kui seade lülitatakse välja ja seade töötab tühikäigul, lisaks tööajale).

## EÜ vastavusdeklaratsioon

*Ainult Euroopa riikide puhul*

EÜ vastavusdeklaratsioon sisaldub käesoleva juhendi Lisas A.

## OHUTUSHOIATUSED

### Üldised elektritööriistade ohutushoiatused

**⚠HOIATUS:** Lugege läbi kõik selle elektritööriistaga kaasas olevad ohutushoiatused, juhised, joonised ja tehnilised andmed. Järgnevate juhiste eiramine võib põhjustada elektrilöögi, süttimise ja/või raske kehavigastuse.

## Hoidke edaspidisteks viideteks alles kõik hoiatused ja juhtnõõrid.

Hoiatustes kasutatud termini „elektritööriist“ all peetakse silmas elektriga töötavaid (juhtmega) elektritööriistu või akuga töötavaid (juhtmeta) elektritööriistu.

## Lihvimisseadme ohutusnõuded

1. Kasutage alati kaitse- või ohutusprille. Tavalised prillid või päikesepriidid EI OLE kaitseprillid.
2. Hoidke tööriistast kindlat kinni.
3. Ärge jätkke tööriista käima. Käivitage tööriist ainult siis, kui hoiate seda käes.
4. Tööriist ei ole veekindel, seetõttu ärge kasutage töödeldava detaili pinnal vett.
5. Lihvimise ajal tuulutage piisavalt oma tööpiirkonda.
6. Mõned materjalid võivad sisaldada mürgiseid aineid. Võtke meetmed tolmu sissehingamise ja nahaga kokkupuute vältimiseks. Järgige materjali tarnija ohutusteavet.
7. Tööriista kasutamata teatud toodete, värvikihitide ja puidu lihvimisel võib kasutaja jätta ohtlikke aineid sisaldava tolmu kätte. Kasutage sobivaid hingamisteede kaitsevahendeid.
8. Enne kasutamist veenduge, et lihvkettal poleks pragusid ning see poleks murdunud. Praod või murdumine võivad põhjustada kehavigastuse.
9. Jälgige oma jalgealust toetuspinda ja hoidke tööriistaga töötades tasakaalu. Kõrgustes töötades veenduge, et allpool ei viibiks inimesi.

## HOIDKE JUHEND ALLES.

**⚠HOIATUS:** ÄRGE UNUSTAGE järgida toote ohutusnõudeid mugavuse või toote (korduskasutamisega saavutatud) hea tundmise tõttu. **VALE KASUTUS** või kasutusjuhendi ohutuseeskirjade eiramine võib põhjustada tervisekahjustusi.

## Akukassetiga seotud olulised ohutusjuhised

1. Enne akukassetti kasutamist lugege (1) akulaadiljal, (2) akul ja (3) seadmel olevad juhtnõõrid ja hoiatused läbi.
2. Ärge võtke akukassetti lahti ega muutke seda. See võib põhjustada tulekahju, liigset kuumust või plahvatusi.
3. Kui tööaeg järsult lüheneb, siis lõpetage kohe kasutamine. Edasise kasutamise tulemuseks võib olla ülekuumenemisoht, võimalikud põletused või isegi plahvatus.
4. Kui elektrilüüti satub silma, siis loputage silma puhta veega ja pöörduge koheselt arsti poole. Selline õnnetus võib põhjustada pimedaksjäämist.
5. Ärge tekitage akukassetis lühist:
  - (1) Ärge puutuge klemme elektrijuhtidega.
  - (2) Ärge hoidke akukassetti tööriistakastis koos metallesemetega, nagu naelad, mündid jne.
  - (3) Ärge tehke akukassetti märjaks ega jätkke seda vihma kätte.Aku lühis võib põhjustada tugevat elektrivoolu, ülekuumenemist, põletusi ning ka seadet tõsiselt kahjustada.

6. Ärge hoidke ega kasutage tööriista ja akukas-  
setti kohtades, kus temperatuur võib tõusta  
üle 50 °C (122 °F).
7. Ärge põletage akukasetti isegi siis, kui see on  
saanud tõsiselt vigastada või on täiesti kulu-  
nud. Akukasett võib tules plahvatada.
8. Ärge naelutage, löigake, muljuge, visake aku-  
kasetti ega laske sel kukkuda, samuti ärge  
lööge selle pihta kõva esemega. Selline tegevus  
võib põhjustada tulekahju, liigset kuumust või  
plahvatuse.
9. Ärge kasutage kahjustatud akut.
10. Sisalduvatele liitium-ioonakudele võivad  
kohalduda ohtlike kaupade õigusaktide nõu-  
ded.

Kaubanduslikul transportimisel, näiteks kolman-  
date poolte või transpordiettevõtete poolt, tuleb  
järgida pakendil ja siltidel toodud erinõudeid.

Transportimiseks ettevalmistamisel on vajalik  
pidada nõu ohtliku materjali eksperdigaga. Samuti  
tuleb järgida võimalike riiklike regulatsioonide  
üksikasjalikumaid nõudeid.

Katke teibiga või varjake avatud kontaktid ja  
pakendage aku selliselt, et see ei saaks pakendis  
liikuda.

11. Kasutuskõlbmatuks muutunud akukasetti  
kõrvaldamiseks eemaldage see tööriistast ja  
viige selleks ette nähtud kohta. Järgige kasu-  
tuskõlbmatuks muutunud aku kõrvaldamisel  
kohalikke eeskirju.
12. Kasutage akusid ainult Makita heaks kiidetud  
toodetega. Akude paigaldamine selleks mitte  
ettenähtud toodetele võib põhjustada süttimist,  
ülemäärast kuumust, plahvatamist või elektrolüüdi  
lekkimist.
13. Kui tööriista ei kasutata pika ajaperioodi jook-  
sul, tuleb aku tööriistast eemaldada.
14. Kasutamise ajal ja pärast kasutamist võib  
akukasett kuumeneda, mis võib põhjustada  
põletusi või madala temperatuuri põletusi.  
Olge kuumade akukasetti kandmisel ettevaatlik.
15. Ärge puudutage tööriista klemmi kohe pärast  
kasutamist, sest see võib olla kuum ja põhjus-  
tada põletusi.
16. Hoidke akukasetti klemmid, avad ja sooned  
tükikestest, tolmust ja mullast puhtad. See  
võib põhjustada tööriista või aku ülekuumenemist,  
süttimist, purunemist ja talitlushäireid, mis võib  
lõppeda põletustega või kehavigastustega.
17. Kui tööriist ei kannata kasutamist kõrgepin-  
geliinide lähedal, ärge kasutage akukasetti  
kõrgepingeliinide lähedal. Muidu võib tööriist või  
akukasett puruneda või sellel tõrge tekkida.
18. Hoidke akut lastele kättesaamatult.

## HOIDKE JUHEND ALLES.

**⚠ETTEVAATUST:** Kasutage ainult Makita  
originaalakusid. Mitte Makita originaalakude või  
muudetud akude kasutamine võib põhjustada akude  
süttimise, kehavigastuse ja kahjustuse. Samuti muu-  
dab see kehtetuks Makita tööriista ja laadija Makita  
garantii.

## Vihjeid aku maksimaalse kasu- tusaja tagamise kohta

1. Laadige akukasetti enne selle täielikku  
tühjenemist. Kui märkate, et tööriist töötab  
väiksema võimsusega, peatage töö ja laadige  
akukasetti.
2. Ärge laadige täielikult laetud akukasetti.  
Ülelaadimine lühendab akude kasutusiga.
3. Laadige akukasetti toatemperatuuril 10 °C -  
40 °C. Enne laadimist laske kuumenenud aku-  
kasetil maha jahtuda.
4. Kui te ei kasuta parajasti akukasetti, eemal-  
dage see tööriistast või laadurist.
5. Kui te ei kasuta akukasetti kauem kui kuus  
kuud, laadige see.

## FUNKTSIONAALNE KIRJELDUS

**⚠ETTEVAATUST:** Kandke alati hoolt selle eest,  
et tööriist oleks enne reguleerimist ja kontrolli-  
mist välja lülitatud ja akukasett eemaldatud.

## Akukasetti paigaldamine või eemaldamine

**⚠ETTEVAATUST:** Lülitage tööriist alati enne  
akukasetti paigaldamist või eemaldamist välja.

**⚠ETTEVAATUST:** Akukasetti paigaldamisel  
või eemaldamisel tuleb tööriista ja akukasetti  
kindlalt paigal hoida. Kui tööriista ja akukasetti ei  
hoita kindlalt paigal, võivad need käest libiseda ning  
kahjustada tööriista ja akukasetti või põhjustada  
kehavigastusi.

► **Joon.1:** 1. Punane näidik 2. Nupp 3. Akukasett

Akukasetti eemaldamiseks libistage see tööriista kül-  
jest lahti, vajutades kasseti esiküljel paiknevat nuppu  
alla.

Akukasetti paigaldamiseks joondage akukasetti keel  
korpuse soonega ja libistage kassett oma kohale.  
Sisestage see tervenisti, kuni see lukustub klõpsuga  
oma kohale. Kui näete joonisel näidatud punast näidi-  
kut, pole see täielikult lukustunud.

**⚠ETTEVAATUST:** Paigaldage akukasett alati  
täies ulatuses nii, et punast osa ei jääks näha.  
Muidu võib adapter juhuslikult tööriistast välja kuk-  
kuda ning põhjustada teile või läheduses viibivatele  
isikutele vigastusi.

**⚠ETTEVAATUST:** Ärge rakendage akukasetti  
paigaldamisel jõudu. Kui kassett ei lähe kergesti  
sisse, pole see õigesti paigaldatud.

## Aku jääkmahutavuse näit

### Ainult näidikuga akukassetidele

► **Joon.2:** 1. Märkulambid 2. Kontrollimise nupp

Akukasseti järelejäänud mahutavuse kontrollimiseks vajutage kontrollimise nuppu. Märkulambid süttivad mõneks sekundiks.

| Märkulambid |         |        | Jääkmahutavus         |
|-------------|---------|--------|-----------------------|
| Pöleb       | Ei põle | Vilgub |                       |
| ■           | □       | ◐      | 75 - 100%             |
| ■           | ■       | ■      | 50 - 75%              |
| ■           | ■       | □      | 25 - 50%              |
| ■           | □       | □      | 0 - 25%               |
| ◐           | □       | □      | Laadige akut.         |
| ■           | ■       | □      | Akul võib olla tõrge. |
| □           | □       | ■      |                       |

**MÄRKUS:** Näidatud mahutavus võib veidi erineda tegelikust mahutavusest olenevalt kasutustingimustest ja ümbritseva keskkonna temperatuurist.

**MÄRKUS:** Esimene (taga vasakul asuv) märgutuli vilgub, kui akukaitsesüsteem töötab.

## Tööriista/aku kaitsesüsteem

Tööriist on varustatud tööriista või aku kaitsesüsteemiga. Süsteem lülitab mootori automaatselt välja, et pikendada tööriista ja aku tööiga. Tööriist seiskub käitamise ajal automaatselt, kui tööriista või aku kohta kehtib üks järgmistest tingimustest.

## Ülekoormuskaitse

Kui tööriista või aku kasutamise käigus hakkab see tarbima ebaharilikult palju voolu, peatub tööriist automaatselt ilma igasuguse signaalita. Sellisel juhul lülitage tööriist välja ja lõpetage tööriista ülekoormuse põhjustatud tegevus. Pärast seda käivitage tööriist uuesti.

## Ülekuumenemiskaitse

Tööriista või aku ülekuumenemisel seiskub tööriist automaatselt. Laske sellisel juhul tööriistal ja akul enne tööriista uuesti sisselülitamist jahtuda.

## Ülelaadimiskaitse

Kui aku laetuse tase ei ole piisav, seiskub tööriist automaatselt. Sellisel juhul eemaldage aku seadmest ja laadige täis.

## Kaitse muude põhjuste korral

Kaitsesüsteem on mõeldud ka muude põhjuste jaoks, mis võivad tööriista kahjustada, ja võimaldab tööriistal automaatselt seiskuda. Kui tööriist on ajutiselt peatatud või seiskunud, toimige põhjuste kõrvaldamiseks järgnevalt.

1. Lülitage tööriist välja ja seejärel taaskäivitamiseks uuesti sisse.
2. Laadige akut (akusid) või asendage aku (akud).
3. Laske tööriistal ja akul (akudel) jahtuda.

Kui kaitsesüsteemi taastamisega ei õnnestu olukorda parandada, võtke ühendust kohaliku Makita hoolduskeskusega.

## Lüliti funktsioneerimine

**⚠ETTEVAATUST:** Vältige tööriista sisselülitamist, kui see asub töödeldaval pinnal või tööpinnil. See võib põhjustada kehavigastusi või kahjustusi.

## Tööriista sisse- ja väljalülitamine

Tööriista käivitamiseks vajutage toite- / kiiruse valiku nuppu. Tööriist käivitub kõige suuremal pöörlemiskiirusel. Tööriista seiskamiseks vajutage stoppnuppu.

► **Joon.3:** 1. Toite- / kiiruse valiku nupp 2. Stoppnupp

## Tööriista kiiruse muutmise

Pöörlemiskiirusel on kaks režiimi – kiire ja aeglane. Valige režiim sõltuvalt kasutusala ja töökoormusest. Töötaval tööriistal kiirusrežiimi vahetamiseks vajutage toite- / kiiruse valiku nuppu.

► **Joon.4:** 1. Toite- / kiiruse valiku nupp

## Kiiruse seadete tabel

| Kiiruse tase | Pöörded minutis                 |
|--------------|---------------------------------|
| 2 (kiire)    | 14 000 min <sup>-1</sup> (/min) |
| 1 (aeglane)  | 11 000 min <sup>-1</sup> (/min) |

**TÄHELEPANU:** Kui tööriista kasutatakse lakamatult pika aja vältel aeglasel kiirusel, koormab see mootori üle ja tööriista töös võivad tekkida tõrked.

**TÄHELEPANU:** Valige lihvimiseks sobiv kiirusvahemik, et vältida ülekuumenemist ja töödeldava detaili sulamist. Kiirel pöörlemiskiirusel lihvimine võib töödeldavat detaili kuumutada ja kokkupuutekohas sulatada.

## KOKKUPANEK

**⚠ETTEVAATUST:** Kandke alati hoolt selle eest, et tööriist oleks enne igasuguseid hooldustöid välja lülitatud ja akukassett eemaldatud.

## Lihvpaberi paigaldamine ja eemaldamine

**⚠ETTEVAATUST:** Veenduge alati, et lihvpaber oleks enne kasutamist kindlalt paigaldatud. Muidu võib paber lahti tulla, kergesti eemalduda ja libiseda, mille tulemuseks on ebaühtlane lihvimine.

**MÄRKUS:** Paberi eelnev painutamine muudab paigaldamise lihtsamaks.

## Ilma tolmuimemisavata lihvpaperi kasutamine

1. Lõigake lihvpaper sobivasse suurusesse.  
▶ **Joon.5:** 1. Lihvpaper 2. Tald
2. Vajutage ja hoidke all kas talla esi- või tagaosas asuvat klambrihooba ja libistage see stopperist eemale nii, et klamber tuleks lukustatud asendist lahti.
3. Tõmmake klambrihooba väljapoole nii kaugele kui võimalik, et luua klambri ja lihvimisaluse külgeina vahele ruum, millesse saab sisestada lihvpaperi ühe otsa.
4. Libistage lihvpaperi üks ots klambri ja lihvimisaluse vahelisse ruumi.
5. Paigutage lihvpaper nii, et see kataks täielikult talla pinna.
6. Seadke klambrihoob tagasi lukustatud asendisse nii, et lihvpaperi ots oleks tugevasti klambri kinni.
7. Vabastage teises otsas asuv klamber ja pange lihvpaperi teine ots klambri kinnitamiseks valmis.  
▶ **Joon.6:** 1. Lihvpaper 2. Klamber 3. Lihvimisalus 4. Klambrihoob 5. Stopper
9. Asetage lihvpaperile augustusplaat, nii et selle nurkade juures asuvad positsioonimisstopperid oleksid korralikult vastu talla ja lihvimisaluse kahte külgserva.  
▶ **Joon.7:** 1. Lihvpaper 2. Augustusplaat 3. Positsioonimisstopperid 4. Tald 5. Lihvimisalus
10. Tolmuimemisavade tekitamiseks vajutage augustusplaat lihvpaperile.
11. Lihvpaperi eemaldamiseks vabastage mõlemas otsas asuvad klambriid ja võtke paber talla küljest ära.

## Tolmuimemisavaga lihvpaperi kasutamine

### Lisatarvik

1. Vajutage ja hoidke all kas talla esi- või tagaosas asuvat klambrihooba ja libistage see stopperist eemale nii, et klamber tuleks lukustatud asendist lahti.
2. Tõmmake klambrihooba väljapoole nii kaugele kui võimalik, et luua klambri ja lihvimisaluse külgeina vahele ruum, millesse saab sisestada lihvpaperi ühe otsa.
3. Kinnitage tallale lihvpaper nii, et lihvpaperi ja talla tolmuimemisavad oleksid kohakuti.  
▶ **Joon.8:** 1. Lihvpaper 2. Tald 3. Tolmuimemisava
4. Libistage lihvpaperi üks ots klambri ja lihvimisaluse vahelisse ruumi.
5. Seadke klambrihoob tagasi lukustatud asendisse nii, et lihvpaperi ots oleks tugevasti klambri kinni.
6. Vabastage teises otsas asuv klamber ja pange lihvpaperi teine ots klambri kinnitamiseks valmis.
7. Hoidke lihvpaperit korraliku pinge all ja seadke teises otsas asuv klambrihoob lukustatud asendisse.  
▶ **Joon.9:** 1. Lihvpaper 2. Klamber 3. Lihvimisalus 4. Klambrihoob 5. Stopper
8. Lihvpaperi eemaldamiseks vabastage mõlemas otsas asuvad klambriid ja võtke paber talla küljest ära.

## Takjakinnitusega lihvpaperi kasutamine

**▲ETTEVAATUST:** Veenduge, et konksu ja silmusega lihvpaper oleks nõuetekohaselt ja kindalt paigaldatud. Nõrgal kinnitamisel läheb tarvik tasakaalust välja ja põhjustab tugevat vibratsiooni, mis toob kaasa kontrolli kaotamise.

**▲ETTEVAATUST:** Veenduge, et takjakinnitusega tald ja lihvpaper oleksid kohakuti ning tugevalt kinnitatud.

**▲ETTEVAATUST:** Kasutage ainult takjakinnitusega lihvpaperit. Ärge kunagi kasutage surve-tundlikku lihvpaperit.

### Mudel DBO480

1. Eemaldage takjakinnitusega tallalt kogu mustus ja võõrkehad.
2. Kinnitage valikuline takjakinnitusega lihvpaper tallale nii, et lihvpaperi ja talla tolmuimemisavad oleksid kohakuti.  
▶ **Joon.10:** 1. Lihvpaper 2. Tald 3. Tolmuimemisavad
3. Lihvpaperi eemaldamiseks tõmmake see servast lahti.

### Mudelid DBO481 ja DBO482

**TÄHELEPANU:** Kork või O-rõngas võib talla vahetamisel lihvimisaluse seest välja tulla. Enne valikulise talla paigaldamist asetage kork või O-rõngas ümmargusse avasse või aluse keskkohta ümber olevasse ümmargusse soonde kindlasti tagasi.

### DBO481

- ▶ **Joon.11:** 1. Kork 2. Lihvimisalus 3. Ümmargune ava

### DBO482

- ▶ **Joon.12:** 1. O-rõngas 2. Lihvimisalus 3. Ümmargune soon

1. Keerake lahti ja eemaldage neli kruvi, mis kinnitavad talla lihvimisaluse külge.  
▶ **Joon.13:** 1. Kruvid 2. Tald 3. Lihvimisalus
2. Vahetage standardvarustuse tald valikulise takjakinnitusega talla vastu.
3. Takjakinnitusega talla kinnitamiseks keerake kruvid uuesti tugevalt kinni.  
▶ **Joon.14:** 1. Lihvpaper 2. Tald 3. Tolmuimemisavad
4. Eemaldage takjakinnitusega tallalt kogu mustus ja võõrkehad.
5. Kinnitage valikuline takjakinnitusega lihvpaper tallale nii, et lihvpaperi ja talla tolmuimemisavad oleksid kohakuti.  
▶ **Joon.15:** 1. Lihvpaper 2. Tald 3. Tolmuimemisavad
6. Lihvpaperi eemaldamiseks tõmmake see servast lahti.

## Kolmnurkse/ristkülikukujulise lihvpaperi kasutamine

### Lisatarvik

**⚠ETTEVAATUST:** Paigaldage takjakinnitusega lihvpaper õigesti ja kindalt. Nõrga kinnituse korral läheb tarvik tasakaalust välja ja põhjustab tugevat vibratsiooni, mis toob kaasa juhitavuse kaotamise.

**⚠ETTEVAATUST:** Veenduge, et takjakinnitusega tald ja lihvpaper oleksid kohakuti ning tugevalt kinnitatud.

**⚠ETTEVAATUST:** Kasutage ainult takjakinnitusega lihvpaperit. Ärge kunagi kasutage surve-tundlikku lihvpaperit.

**TÄHELEPANU:** Kork või O-rõngas võib talla vahetamisel lihvimisaluse seest välja tulla. Enne valikulise talla paigaldamist asetage kork või O-rõngas ümmargusse avasse või aluse kesk-koha ümber olevasse ümmargusse soonde kindlasti tagasi.

### DBO480, DBO481

► **Joon.16:** 1. Kork 2. Lihvimisalus 3. Ümmargune ava

### DBO482

► **Joon.17:** 1. O-rõngas 2. Lihvimisalus 3. Ümmargune soon

1. Keerake lahti ja eemaldage neli kruvi, mis kinnitavad talla lihvimisaluse külge.

► **Joon.18:** 1. Kruvid 2. Tald 3. Lihvimisalus

2. Vahetage standardvarustusse kuuluv tald kolmnurkse/ristkülikukujulise talla vastu.

3. Kolmnurkse/ristkülikukujulise talla kinnitamiseks keerake kruvid uuesti tugevalt kinni.

### Kolmnurkne tald

► **Joon.19:** 1. Kruvid 2. Kolmnurkne tald 3. Lihvimisalus

Võite paigaldada lihvpaperi talla küljele, nagu joonisel on kujutatud.

► **Joon.20:** 1. Lihvpaper 2. Tald

### Ristkülikukujuline tald

► **Joon.21:** 1. Kruvid 2. Ristkülikukujuline tald 3. Lihvimisalus

4. Eemaldage kolmnurkselt/ristkülikukujuliselt tallalt kogu mustus ja võõrkehad.

5. Kinnitage valikuline takjakinnitusega lihvpaper kolmnurksele/ristkülikukujulisele tallale nii, et lihvpaperi ja talla tolmuimemisavad oleksid kohakuti.

### Kolmnurkne tald

► **Joon.22:** 1. Lihvpaper 2. Kolmnurkne tald 3. Tolmuimemisavad

### Ristkülikukujuline tald

► **Joon.23:** 1. Lihvpaper 2. Ristkülikukujuline tald 3. Tolmuimemisavad

6. Lihvpaperi eemaldamiseks tõmmake see servast lahti.

## Tolmukoti paigaldamine ja eemaldamine

### Lisatarvik

Kinnitage tolmuott mootori kere tagumises otsas asuva kitseneva tolmutoru peale. Pange tolmuoti tolmu sisselaskeava tolmutorul võimalikult kaugele, et vältida selle lahtitulekut töö käigus.

► **Joon.24:** 1. Tolmutoru 2. Tolmu sisselaskeava 3. Tolmuott

**TÄHELEPANU:** Ärge hoidke tööriista kandmisel tolmuotist. Muidu võib tööriist maha kukkuda ja kahjustada saada.

**MÄRKUS:** Optimaalse tolmu kogumise tagamiseks tühjendage tolmuott, kui umbes pool selle mahust on täis.

Eemaldage tööriistast tolmuoti ja eemaldage tolmuotist. Tolmuoti tühjendamiseks raputage või koputage seda õrnalt.

► **Joon.25:** 1. Tolmuotsak

## Tolmukarbi paigaldamine ja eemaldamine

### Lisatarvik

Kinnitage tolmuokarp mootori kere tagumises otsas olevale kitsenevale tolmutorule. Pange tolmu sisselaskeava tolmutorule võimalikult kaugele, et vältida selle lahtitulekut töö ajal.

► **Joon.26:** 1. Tolmutoru 2. Tolmu sisselaskeava 3. Tolmuotsak 4. Tolmukarp

**TÄHELEPANU:** Ärge hoidke tööriista kandmisel tolmuokarbit. Muidu võib tööriist maha kukkuda ja kahjustada saada.

**MÄRKUS:** Optimaalse tolmu kogumise tagamiseks tühjendage tolmuokarp, kui umbes pool selle mahust on täis.

1. Eemaldage tolmuokarp tööriista küljest.
2. Vabastage tolmuotsak karbi küljest, hoides karbi mõlemal pool asuvaid lukusteid all.
3. Tolmukarbi tühjendamiseks raputage või koputage seda õrnalt.

## Paberfiltri vahetamine

**TÄHELEPANU:** Osade uuesti kokkupanemisel tuleb kõigi tolmuokarbi, paberfiltri ja tolmuotsaku logod samas suunas joondada.

1. Eemaldage tolmuokarp tööriista küljest.
2. Vabastage tolmuotsak karbi küljest, hoides karbi mõlemal pool asuvaid lukusteid all.
- **Joon.27:** 1. Tolmuotsak 2. Tolmuokarp 3. Lukustid
3. Hoidke papi ava sisemist ülemist serva ja tõmmake see allapoole, et papi ava välimine ülemine serv tolmuokarbi serva ülemisest haakekonksust välja võtta.

4. Võtke paberfilter tolmukarbist välja, tõmmates samal ajal papi ava välimise alumise serva alumisest haakekonksust lahti.

► **Joon.28:** 1. Paberfilter 2. Papi ava 3. Ülemine haakekonks 4. Alumine haakekonks 5. Tolmukarp

5. Vahetage paberfilter, ühendades papi ava alumise serva alumise haakekonksuga, ja lükake ülemist serva sissepoole, kuni see haakub ülemise haakekonksuga.

► **Joon.29:** 1. Paberfilter 2. Papi ava 3. Ülemine haakekonks 4. Alumine haakekonks 5. Tolmukarp

6. Klõpsake tolmuotsak kohale, hoides tolmukarbi mõlemal pool asuvaid lukusteid all.

► **Joon.30:** 1. Tolmuotsak 2. Tolmukarp 3. Lukusti

## Ühendamine tolmuimejaga

### Lisatarvik

Kui soovite puhtalt lihvida, ühendage tööriistaga Makita tolmuimeja. Ühenduse loomiseks kasutage kas valikulist 28 mm voolikut või esimansetti 22 ja tolmuimejaga kaasas oleva vooliku kombinatsiooni.

► **Joon.31:** 1. Tolmutoru 2. Esimansett 3. Voolik 4. Tolmuimeja

## TÖÖRIISTA KASUTAMINE

### Lihvimine

**⚠ETTEVAATUST:** Jälgige alati, et töödeldav detail kinnitatakse korralikult.

**TÄHELEPANU:** Ärge kunagi käivitage tööriista ilma lihvpaberita. Võite talda raskelt kahjustada.

**TÄHELEPANU:** Ärge rakendage tööriistale jõudu. Ülemäärane surve võib vähendada lihvimise tõhusust, vigastada lihvpaberit ja/või lühendada tööriista kasutusiga.

Hoidke tööriistast kindlalt kinni. Lülitage tööriist sisse ja oodake, kuni see saavutab täiskiiruse. Seejärel asetage tööriist õrnalt töödeldavale pinnale. Taldlihvijat kasutatakse üldjuhul ainult korraga väikese koguse materjali eemaldamiseks. Kuna pinna kvaliteet on olulisem kui eemaldatava materjali hulk, ärge suruge tööriista jõuga. Hoidke talda töödeldava detailiga alati tasa.

► **Joon.32**

Kolmnurkse/ristkülikukujulise tallaga lihvimisel võite materjali lihvida talla ülemise ja alumise küljega. Seda on mugav kasutada näiteks selliste esemete nagu ventilatsioonirestide lihvimisel.

► **Joon.33**

## HOOLDUS

**⚠ETTEVAATUST:** Enne kontroll- või hooldustoimingute tegemist kandke alati hoolt selle eest, et tööriist oleks välja lüüritatud ja akukassett korpuse küljest eemaldatud.

**TÄHELEPANU:** Ärge kunagi kasutage bensiini, vedeldit, alkoholi ega midagi muud sarnast. Selle tulemuseks võib olla luitumine, deformatsioon või pragunemine.

Toote OHUTUSE ja TÖÖKINDLUSE tagamiseks tuleb vajalikud remonttööd ning muud hooldus- ja reguleerimistööd lasta teha Makita volitatud teeninduskeskustes või tehase teeninduskeskustes. Alati tuleb kasutada Makita varuosi.

### Pärast kasutamist

Pühkige tööriista regulaarselt kuiva või kergelt seebi-veega niisutatud lapiga.

## VALIKULISED TARVIKUD

**⚠ETTEVAATUST:** Neid tarvikuid ja lisaseadiseid on soovitatav kasutada koos Makita tööriistaga, mille kasutamist selles kasutusjuhendis kirjeldatakse. Muude tarvikute ja lisaseadiste kasutamiseks kaasneb vigastada saamise oht. Kasutage tarvikuid ja lisaseadiseid ainult otstarbekohaselt.

Saate vajaduse korral kohalikust Makita teeninduskeskusest lisateavet nende tarvikute kohta.

- Lihvpaber (takjakinnitusega)
- Lihvpaber (klamber)
- Ruudukujuline tald (takjakinnitus)
- Ruudukujuline tald (klamber)
- Ristkülikukujuline tald
- Kolmnurkne tald
- Tolmukott
- Tolmukarp
- Filter
- Paberfilter
- Makita algupärane aku ja laadija

**MÄRKUS:** Mõned nimekirjas loetletud tarvikud võivad kuuluda standardvarustusse ning need on lisatud tööriista pakendisse. Need võivad riigiti erineda.

## ТЕХНИЧЕСКИЕ ХАРАКТЕРИСТИКИ

| Модель:                               |   | DBO480   | DBO481 | DBO482       |
|---------------------------------------|---|--|--------|--------------|
| Размер опорной пластины               | Квадратная опорная пластина                                   | 112 мм x 102 мм  |        |              |
|                                       | Треугольная опорная пластина                                  | 112 мм x 190 мм  |        |              |
|                                       | Прямоугольная опорная пластина                                | 112 мм x 168,5 мм  |        |              |
| Шлифовальная бумага                   | Для квадратной опорной пластины (с креплением типа "липучка") | 114 мм x 102 мм  |        |              |
|                                       | Для квадратной опорной пластины (с зажимом)                   | 114 мм x 140 мм  |        |              |
|                                       | Для треугольной опорной пластины                              | Прямоугольная бумага: 114 мм x 102 мм<br>Треугольная бумага: 96 мм |        |              |
|                                       | Для прямоугольной опорной пластины                            | 112 мм x 168,5 мм, 112 мм x 66 мм                                  |        |              |
| Частота вращения                      | Высокая   | 14 000 мин <sup>-1</sup>   |        |              |
|                                       | Низкая  | 11 000 мин <sup>-1</sup>   |        |              |
| Общая длина (с аккумулятором BL1860B) |   | 171 мм   |        |              |
| Номинальное напряжение                |   | 18 В пост. тока  |        |              |
| Масса нетто                           |   | 1,4 - 1,7 кг   |        | 1,4 - 1,8 кг |

- \* Стандартная опорная пластина может различаться в зависимости от страны.
- Благодаря нашей постоянно действующей программе исследований и разработок указанные здесь технические характеристики могут быть изменены без предварительного уведомления.
- Технические характеристики и аккумуляторный блок могут отличаться в зависимости от страны.
- Масса может отличаться в зависимости от дополнительного оборудования. Обратите внимание, что блок аккумулятора также считается дополнительным оборудованием. В таблице представлены комбинации с наибольшим и наименьшим весом в соответствии с процедурой EPTA 01/2014.

### Подходящий блок аккумулятора и зарядное устройство

|                     |  |
|---------------------|--|
| Блок аккумулятора   | BL1815N / BL1820B / BL1830B / BL1840B / BL1850B / BL1860B    |
| Зарядное устройство | DC18RC / DC18RD / DC18RE / DC18SD / DC18SE / DC18SF / DC18SH |

- В зависимости от региона проживания некоторые блоки аккумуляторов и зарядные устройства, перечисленные выше, могут быть недоступны.

**⚠ ОСТОРОЖНО:** Используйте только перечисленные выше блоки аккумуляторов и зарядные устройства. Использование других блоков аккумуляторов и зарядных устройств может привести к травме и/или пожару.

### Назначение

Инструмент предназначен для шлифовки больших поверхностей из древесины, пластмассы и металлических материалов, а также окрашенных поверхностей.

### Шум

Типичный уровень взвешенного звукового давления (A), измеренный в соответствии с EN62841-2-4:

#### Модель DBO480

Уровень звукового давления (L<sub>рA</sub>): 75 дБ (A)

Погрешность (K): 3 дБ (A)

#### Модель DBO481

Уровень звукового давления (L<sub>рA</sub>): 75 дБ (A)

Погрешность (K): 3 дБ (A)

#### Модель DBO482

Уровень звукового давления (L<sub>рA</sub>): 75 дБ (A)

Погрешность (K): 3 дБ (A)

Уровень шума при выполнении работ может превышать 80 дБ (A).

**ПРИМЕЧАНИЕ:** Заявленное значение распространения шума измерено в соответствии со стандартной методикой испытаний и может быть использовано для сравнения инструментов.

**ПРИМЕЧАНИЕ:** Заявленное значение распространения шума можно также использовать для предварительных оценок воздействия.

**⚠ОСТОРОЖНО:** Используйте средства защиты слуха.

**⚠ОСТОРОЖНО:** Распространение шума во время фактического использования электроинструмента может отличаться от заявленного значения в зависимости от способа применения инструмента и в особенности от типа обрабатываемой детали.

**⚠ОСТОРОЖНО:** Обязательно определите меры безопасности для защиты оператора, основанные на оценке воздействия в реальных условиях использования (с учетом всех этапов рабочего цикла, таких как выключение инструмента, работа без нагрузки и включение).

## Вибрация

Суммарное значение вибрации (сумма векторов по трем осям), определенное в соответствии с EN62841-2-4:

### Модель DBO480

Рабочий режим: шлифовка металлической пластины (квадратное основание)

Распространение вибрации ( $a_h$ ): 2,5 м/с<sup>2</sup> или менее

Погрешность (K): 1,5 м/с<sup>2</sup>

Рабочий режим: шлифовка металлической пластины

Распространение вибрации ( $a_h$ ): 4,1 м/с<sup>2</sup>

Погрешность (K): 1,5 м/с<sup>2</sup>

### Модель DBO481

Рабочий режим: шлифовка металлической пластины (квадратное основание)

Распространение вибрации ( $a_h$ ): 2,5 м/с<sup>2</sup> или менее

Погрешность (K): 1,5 м/с<sup>2</sup>

### Модель DBO482

Рабочий режим: шлифовка металлической пластины (квадратное основание)

Распространение вибрации ( $a_h$ ): 3,4 м/с<sup>2</sup>

Погрешность (K): 1,5 м/с<sup>2</sup>

**ПРИМЕЧАНИЕ:** Заявленное общее значение распространения вибрации измерено в соответствии со стандартной методикой испытаний и может быть использовано для сравнения инструментов.

**ПРИМЕЧАНИЕ:** Заявленное общее значение распространения вибрации можно также использовать для предварительных оценок воздействия.

**⚠ОСТОРОЖНО:** Распространение вибрации во время фактического использования электроинструмента может отличаться от заявленного значения в зависимости от способа применения инструмента и в особенности от типа обрабатываемой детали.

**⚠ОСТОРОЖНО:** Обязательно определите меры безопасности для защиты оператора, основанные на оценке воздействия в реальных условиях использования (с учетом всех этапов рабочего цикла, таких как выключение инструмента, работа без нагрузки и включение).

## Декларация о соответствии ЕС

*Только для европейских стран*

Декларация о соответствии ЕС включена в руководство по эксплуатации (Приложение А).

## МЕРЫ БЕЗОПАСНОСТИ

### Общие рекомендации по технике безопасности для электроинструментов

**⚠ОСТОРОЖНО:** Ознакомьтесь со всеми представленными инструкциями по технике безопасности, указаниями, иллюстрациями и техническими характеристиками, прилагаемыми к данному электроинструменту. Несоблюдение каких-либо инструкций, указанных ниже, может привести к поражению электрическим током, пожару и/или серьезной травме.

### Сохраните брошюру с инструкциями и рекомендациями для дальнейшего использования.

Термин "электроинструмент" в предупреждениях относится ко всему инструменту, работающему от сети (с проводом) или на аккумуляторах (без провода).

### Меры безопасности при использовании шлифовальной машины

1. Обязательно надевайте защитные очки или защитную маску для лица. Обычные или солнцезащитные очки НЕ ЯВЛЯЮТСЯ защитными очками.
2. Крепко держите инструмент.
3. Не оставляйте работающий инструмент без присмотра. Включайте инструмент только тогда, когда он находится в руках.
4. Данный инструмент не является водонепроницаемым, поэтому не следует использовать воду на поверхности обрабатываемой детали.
5. При выполнении шлифовки обеспечьте хорошую вентиляцию места проведения работ.
6. Некоторые материалы могут содержать токсичные химические вещества. Примите соответствующие меры предосторожности, чтобы избежать вдыхания или контакта с кожей таких веществ. Соблюдайте требования, указанные в паспорте безопасности материала.
7. Использование данного инструмента для шлифовки некоторых материалов, краски и древесины может привести к воздействию на пользователя пыли, содержащей опасные вещества. Используйте соответствующие средства защиты органов дыхания.
8. Перед использованием убедитесь в отсутствии трещин или разломов в платформе. Трещины или разломы могут привести к травме.
9. Работая с инструментом, всегда следите за тем, чтобы ваше положение было устойчиво. При использовании инструмента на высоте убедитесь в отсутствии людей внизу.

### СОХРАНИТЕ ДАННЫЕ ИНСТРУКЦИИ.



**▲ОСТОРОЖНО:** НЕ ДОПУСКАЙТЕ, чтобы удобство или опыт эксплуатации данного устройства (полученный от многократного использования) доминировали над строгим соблюдением правил техники безопасности при обращении с этим устройством. **НЕПРАВИЛЬНОЕ ИСПОЛЬЗОВАНИЕ** инструмента или несоблюдение правил техники безопасности, указанных в данном руководстве, может привести к тяжелой травме.

## Важные правила техники безопасности для работы с аккумуляторным блоком

1. Перед использованием аккумуляторного блока прочитайте все инструкции и предупреждающие надписи на (1) зарядном устройстве, (2) аккумуляторном блоке и (3) инструменте, работающем от аккумуляторного блока.
2. Не разбирайте блок аккумулятора и не меняйте его конструкцию. Это может привести к пожару, перегреву или взрыву.
3. Если время работы аккумулятора блока значительно сократилось, немедленно прекратите работу. В противном случае, может возникнуть перегрев блока, что приведет к ожогам и даже к взрыву.
4. В случае попадания электролита в глаза промойте их обильным количеством чистой воды и немедленно обратитесь к врачу. Это может привести к потере зрения.
5. Не замыкайте контакты аккумуляторного блока между собой:
  - (1) Не прикасайтесь к контактам какими-либо токопроводящими предметами.
  - (2) Не храните аккумуляторный блок в контейнере вместе с другими металлическими предметами, такими как гвозди, монеты и т. п.
  - (3) Не допускайте попадания на аккумуляторный блок воды или дождя.Замыкание контактов аккумуляторного блока между собой может привести к возникновению большого тока, перегреву, возможным ожогам и даже поломке блока.
6. Не храните и не используйте инструмент и аккумуляторный блок в местах, где температура может достигать или превышать 50 °C (122 °F).
7. Не бросайте аккумуляторный блок в огонь, даже если он сильно поврежден или полностью вышел из строя. Аккумуляторный блок может взорваться под действием огня.
8. Запрещено вбивать гвозди в блок аккумулятора, резать, ломать, бросать, ронять блок аккумулятора или ударять его твердым предметом. Это может привести к пожару, перегреву или взрыву.
9. Не используйте поврежденный аккумуляторный блок.

10. **Входящие в комплект литий-ионные аккумуляторы должны эксплуатироваться в соответствии с требованиями законодательства об опасных товарах.**  
При коммерческой транспортировке, например, третьей стороной или экспедитором, необходимо нанести на упаковку специальные предупреждения и маркировку.  
В процессе подготовки устройства к отправке обязательно проконсультируйтесь со специалистом по опасным материалам. Также соблюдайте местные требования и нормы. Они могут быть строже.  
Закройте или закрепите разомкнутые контакты и упакуйте аккумулятор так, чтобы он не перемещался по упаковке.
11. **Для утилизации блока аккумулятора извлеките его из инструмента и утилизируйте безопасным способом. Выполняйте требования местного законодательства по утилизации аккумуляторного блока.**
12. **Используйте аккумуляторы только с продукцией, указанной Makita.** Установка аккумуляторов на продукцию, не соответствующую требованиям, может привести к пожару, перегреву, взрыву или утечке электролита.
13. **Если инструментом не будут пользоваться в течение длительного периода времени, извлеките аккумулятор из инструмента.**
14. **Во время и после использования блок аккумулятора может нагреваться, что может стать причиной ожогов или низкотемпературных ожогов. Будьте осторожны при обращении с горячим блоком аккумулятора.**
15. **Не прикасайтесь к контактам инструмента сразу после использования, поскольку они могут быть достаточно горячими, чтобы вызвать ожоги.**
16. **Не допускайте наложения на контакты, отверстия и пазы блока аккумулятора опилок, пыли или земли.** Это может стать причиной перегрева, возгорания, взрыва или неисправности инструмента или блока аккумулятора, что может привести к ожогам или травмам.
17. **Если инструмент не рассчитан на использование вблизи высоковольтных линий электропередач, не используйте блок аккумулятора вблизи высоковольтных линий электропередач.** Это может привести к неисправности, поломке инструмента или блока аккумулятора.
18. **Храните аккумулятор в недоступном для детей месте.**

## СОХРАНИТЕ ДАННЫЕ ИНСТРУКЦИИ.

**▲ВНИМАНИЕ:** Используйте только фирменные аккумуляторные батареи Makita. Использование аккумуляторных батарей, не произведенных Makita, или батарей, которые были подвергнуты модификациям, может привести к взрыву аккумулятора, пожару, травмам и повреждению имущества. Это также автоматически аннулирует гарантию Makita на инструмент и зарядное устройство Makita.

## Советы по обеспечению максимального срока службы аккумулятора

1. Заряжайте блок аккумулятора перед его полной разрядкой. Обязательно прекратите работу с инструментом и зарядите блок аккумуляторов, если вы заметили снижение мощности инструмента.
2. Никогда не подзаряжайте полностью заряженный блок аккумуляторов. Перезарядка сокращает срок службы аккумулятора.
3. Заряжайте блок аккумуляторов при комнатной температуре в 10 - 40 °C (50 - 104 °F). Перед зарядкой горячего блока аккумуляторов дайте ему остыть.
4. Если блок аккумулятора не используется, извлеките его из инструмента или зарядного устройства.
5. Зарядите ионно-литиевый аккумуляторный блок, если вы не будете пользоваться инструментом длительное время (более шести месяцев).

## ОПИСАНИЕ РАБОТЫ

**ВНИМАНИЕ:** Перед регулировкой или проверкой функций инструмента обязательно убедитесь, что он выключен и его аккумуляторный блок снят.

## Установка или снятие блока аккумуляторов

**ВНИМАНИЕ:** Обязательно выключайте инструмент перед установкой и извлечением аккумуляторного блока.

**ВНИМАНИЕ:** При установке и извлечении аккумуляторного блока крепко удерживайте инструмент и аккумуляторный блок. Если не соблюдать это требование, они могут выскользнуть из рук, что приведет к повреждению инструмента, аккумуляторного блока и травмированию оператора.

► **Рис. 1:** 1. Красный индикатор 2. Кнопка 3. Блок аккумулятора

Для снятия аккумуляторного блока нажмите кнопку на лицевой стороне и извлеките блок.

Для установки блока аккумулятора совместите выступ блока аккумулятора с пазом в корпусе и задвиньте его на место. Установивайте блок до упора, чтобы он зафиксировался с небольшим щелчком. Если вы видите красный индикатор, как показано на рисунке, он не зафиксирован полностью.

**ВНИМАНИЕ:** Обязательно устанавливайте блок аккумулятора до конца, чтобы красный индикатор не был виден. В противном случае блок аккумулятора может выпасть из инструмента и нанести травму вам или другим людям.

**ВНИМАНИЕ:** Не прилагайте чрезмерных усилий при установке аккумуляторного блока. Если блок не движется свободно, значит он вставлен неправильно.

## Индикация оставшегося заряда аккумулятора

Только для блоков аккумулятора с индикатором

► **Рис.2:** 1. Индикаторы 2. Кнопка проверки

Нажмите кнопку проверки на аккумуляторном блоке для проверки заряда. Индикаторы загорятся на несколько секунд.

| Индикаторы |       |        | Уровень заряда                               |
|------------|-------|--------|--|
| Горит      | Выкл. | Мигает |  |
| ■ ■ ■ ■    |       |        | от 75 до 100%                                |
| ■ ■ ■ □    |       |        | от 50 до 75%                                 |
| ■ ■ □ □    |       |        | от 25 до 50%                                 |
| ■ □ □ □    |       |        | от 0 до 25%                                  |
| ▣ □ □ □    |       |        | Зарядите аккумуляторную батарею.             |
| ■ ■ □ □    |       |        | Возможно, аккумуляторная батарея неисправна. |
| □ □ ■ ■    |       |        |  |

**ПРИМЕЧАНИЕ:** В зависимости от условий эксплуатации и температуры окружающего воздуха индикация может незначительно отличаться от фактического значения.

**ПРИМЕЧАНИЕ:** Первая (дальняя левая) индикаторная лампа будет мигать во время работы защитной системы аккумулятора.

## Система защиты инструмента/аккумулятора

На инструменте предусмотрена система защиты инструмента/аккумулятора. Она автоматически отключает питание двигателя для продления срока службы инструмента и аккумулятора. Инструмент автоматически остановится во время работы в следующих случаях:

### Защита от перегрузки

Если из-за способа эксплуатации инструмент или аккумулятор потребляет очень большое количество тока, он автоматически остановится без включения каких-либо индикаторов. В этом случае выключите инструмент и прекратите работу, повлекшую перегрузку инструмента. Затем включите инструмент для перезапуска.

### Защита от перегрева

При перегреве инструмента или аккумулятора инструмент останавливается автоматически. В этом случае дайте инструменту/аккумулятору остыть перед повторным включением.

## Защита от переразрядки

При истощении емкости аккумулятора инструмент автоматически останавливается. В этом случае извлеките аккумулятор из инструмента и зарядите его.

## Защита от других неполадок

Система защиты также обеспечивает защиту от других неполадок, способных повредить инструмент, и обеспечивает автоматическую остановку инструмента. В случае временной остановки или прекращения работы инструмента выполните все перечисленные ниже действия для устранения причины остановки.

1. Выключите и снова включите инструмент для его перезапуска.
2. Зарядите аккумулятор(ы) или замените его(их) заряженным(и).
3. Дайте инструменту и аккумулятору (аккумуляторам) остыть.

Если после возврата системы защиты в исходное состояние ситуация не изменится, обратитесь в сервисный центр Makita.

## Действие выключателя

**ВНИМАНИЕ:** Не включайте инструмент, когда он находится на обрабатываемой детали или на рабочем столе. Это может привести к травмам или повреждению.

## Включение и выключение инструмента

Нажмите кнопку питания / выбора скорости для запуска инструмента. Инструмент начинает работать с максимальной скоростью. Для остановки работы инструмента нажмите кнопку остановки.

- **Рис.3:** 1. Кнопка питания / выбора скорости  
2. Кнопка остановки

## Изменение скорости инструмента

Скорость вращения может изменяться между двумя режимами: высокая и низкая. Выберите один из режимов в зависимости от сферы применения и рабочей нагрузки. Нажмите кнопку питания / выбора скорости, чтобы переключить режим скорости во время работы инструмента.

- **Рис.4:** 1. Кнопка питания / выбора скорости

### Таблица настроек скорости

| Уровень скорости | Число движений в минуту          |
|------------------|----------------------------------|
| 2 (высокая)      | 14 000 мин <sup>-1</sup> / (мин) |
| 1 (низкая)       | 11 000 мин <sup>-1</sup> / (мин) |

**ПРИМЕЧАНИЕ:** Если инструментом пользоваться непрерывно на низкой скорости в течение продолжительного времени, двигатель будет перегружен, что приведет к поломке инструмента.

**ПРИМЕЧАНИЕ:** Выберите подходящий диапазон скорости для шлифования, чтобы избежать перегрева и расплавления обрабатываемой детали. Шлифовка на высокой скорости может привести к нагреву обрабатываемой детали и ее расплавлению в точке контакта.

## СБОРКА

**ВНИМАНИЕ:** Перед проведением каких-либо работ с инструментом обязательно убедитесь, что инструмент отключен, а блок аккумулятора снят.

## Установка и снятие шлифовальной бумаги

**ВНИМАНИЕ:** Перед использованием убедитесь, что лист шлифовальной бумаги надежно закреплен. В противном случае бумага может болтаться, скользить и отпасть, что приведет к неравномерной шлифовке.

**ПРИМЕЧАНИЕ:** Чтобы упростить установку, заранее сложите бумагу.

## Использование шлифовальной бумаги без отверстия для всасывания пыли

1. Отрежьте лист шлифовальной бумаги подходящего размера.

► **Рис.5:** 1. Шлифовальная бумага 2. Опорная пластина

2. Нажмите рычаг зажима на переднем или заднем конце опорной пластины и выведите его из стопора, чтобы зажим высвободился из положения блокировки.

3. Оттяните рычаг зажима как можно дальше, чтобы зажим отошел от боковой стенки шлифовальной основы и образовался зазор, в который можно вставить один конец шлифовальной бумаги.

4. Вставьте один конец шлифовальной бумаги в зазор между зажимом и шлифовальной основой.

5. Уложите шлифовальную бумагу точно по поверхности опорной пластины.

6. Установите рычаг зажима обратно в заблокированное положение, надежно зажав конец шлифовальной бумаги.

7. Освободите зажим на другом конце и приготовьте другой конец шлифовальной бумаги для зажатия.

8. Хорошо натяните шлифовальную бумагу, а затем установите рычаг зажима на другом конце в заблокированное положение.

► **Рис.6:** 1. Шлифовальная бумага 2. Зажим 3. Шлифовальная основа 4. Рычаг зажима 5. Стопор

9. Накройте шлифовальную бумагу перфорированной пластиной с установочными планками, образующими угол, выравнивая их с двумя боковыми кромками опорной пластины и шлифовальной основы.

► **Рис.7:** 1. Шлифовальная бумага  
2. Перфорированная пластина  
3. Установочные планки 4. Опорная пластина 5. Шлифовальная основа

10. Надавите на перфорирующую пластину поверх шлифовальной бумаги, чтобы в бумаге образовались отверстия для всасывания пыли.

11. Чтобы удалить шлифовальную бумагу, ослабьте зажимы с обоих концов и снимите бумагу с опорной пластины.

## Использование шлифовальной бумаги с отверстием для всасывания пыли

### Дополнительная принадлежность

1. Нажмите рычаг зажима на переднем или заднем конце опорной пластины и выведите его из стопора, чтобы зажим высвободился из положения блокировки.

2. Оттяните рычаг зажима как можно дальше, чтобы зажим отошел от боковой стенки шлифовальной основы и образовался зазор, в который можно вставить один конец шлифовальной бумаги.

3. Положите лист шлифовальной бумаги на опорную пластину, совместив отверстия для всасывания пыли в бумаге с отверстиями в опорной пластине.

► **Рис.8:** 1. Шлифовальная бумага 2. Опорная пластина 3. Отверстие для всасывания пыли

4. Вставьте один конец шлифовальной бумаги в зазор между зажимом и шлифовальной основой.

5. Установите рычаг зажима обратно в заблокированное положение, чтобы конец шлифовальной бумаги был надежно зажат.

6. Освободите зажим на другом конце и приготовьте другой конец шлифовальной бумаги для зажатия.

7. Хорошо натяните шлифовальную бумагу, а затем установите рычаг зажима на другом конце в заблокированное положение.

► **Рис.9:** 1. Шлифовальная бумага 2. Зажим 3. Шлифовальная основа 4. Рычаг зажима 5. Стопор

8. Чтобы удалить шлифовальную бумагу, ослабьте зажимы с обоих концов и снимите бумагу с опорной пластины.

## Использование шлифовальной бумаги с креплением типа “липучка”

**▲ВНИМАНИЕ:** Убедитесь, что опорная пластина с креплением типа “липучка” установлена правильно и надежно. ненадежное крепление вызовет нарушение балансировки и чрезмерную вибрацию, что приведет к потере контроля над инструментом.

**▲ВНИМАНИЕ:** Убедитесь, что опорная пластина с креплением типа “липучка” и шлифовальная бумага выровнены и надежно закреплены.

**▲ВНИМАНИЕ:** Используйте только шлифовальную бумагу с креплением типа “липучка”. Никогда не используйте шлифовальную бумагу, чувствительную к давлению.

### Для DBO480

1. Полностью очистите опорную пластину с креплением типа “липучка” от грязи и посторонних частиц.

2. Прикрепите лист дополнительной шлифовальной бумаги с креплением типа “липучка” на опорную пластину, совместив отверстия для всасывания пыли в бумаге с отверстиями в опорной пластине.

► **Рис.10:** 1. Шлифовальная бумага 2. Опорная пластина 3. Отверстия для всасывания пыли

3. Чтобы удалить шлифовальную бумагу, сдерите ее, начиная с края.

### Для DBO481 и DBO482

**ПРИМЕЧАНИЕ:** При замене опорной пластины из шлифовальной основы может выскользнуть крышка или уплотнительное кольцо. Прежде чем устанавливать дополнительную опорную пластину, вставьте крышку или уплотнительное кольцо обратно в круглое отверстие или круглый паз вокруг центра основы.

### DBO481

► **Рис.11:** 1. Крышка 2. Шлифовальная основа 3. Круглое отверстие

### DBO482

► **Рис.12:** 1. Уплотнительное кольцо 2. Шлифовальная основа 3. Круглый паз

1. Открутите и выньте четыре винта, которыми опорная пластина крепится к шлифовальной основе.

► **Рис.13:** 1. Винты 2. Опорная пластина 3. Шлифовальная основа

2. Замените стандартную опорную пластину дополнительной опорной пластиной с креплением типа “липучка”.

3. Снова хорошо затяните винты, чтобы закрепить опорную пластину с креплением типа “липучка”.

► **Рис.14:** 1. Шлифовальная бумага 2. Опорная пластина 3. Отверстия для всасывания пыли

4. Полностью очистите опорную пластину с креплением типа “липучка” от грязи и посторонних частиц.

5. Прикрепите лист дополнительной шлифовальной бумаги с креплением типа “липучка” на опорную пластину, совместив отверстия для всасывания пыли в бумаге с отверстиями в опорной пластине.

► **Рис.15:** 1. Шлифовальная бумага 2. Опорная пластина 3. Отверстия для всасывания пыли

6. Чтобы удалить шлифовальную бумагу, сдерите ее, начиная с края.

## Использование треугольной/прямоугольной шлифовальной бумаги

### Дополнительная принадлежность

**ВНИМАНИЕ:** Убедитесь, что опорная пластина с креплением типа “липучка” установлена правильно и надежно. Ненадежное крепление вызовет нарушение балансировки и чрезмерную вибрацию, что приведет к потере контроля над инструментом.

**ВНИМАНИЕ:** Убедитесь, что опорная пластина с креплением типа “липучка” и шлифовальная бумага выровнены и надежно закреплены.

**ВНИМАНИЕ:** Используйте только шлифовальную бумагу с креплением типа “липучка”. Никогда не используйте шлифовальную бумагу, чувствительную к давлению.

**ПРИМЕЧАНИЕ:** При замене опорной пластины из шлифовальной основы может выскользнуть крышка или уплотнительное кольцо. Прежде чем устанавливать дополнительную опорную пластину, вставьте крышку или уплотнительное кольцо обратно в круглое отверстие или круглый паз вокруг центра основы.

### DВО480, DВО481

► Рис.16: 1. Крышка 2. Шлифовальная основа 3. Круглое отверстие

### DВО482

► Рис.17: 1. Уплотнительное кольцо 2. Шлифовальная основа 3. Круглый паз

1. Открутите и выньте четыре винта, которыми опорная пластина крепится к шлифовальной основе.

► Рис.18: 1. Винты 2. Опорная пластина 3. Шлифовальная основа

2. Замените штатную опорную пластину на треугольную/прямоугольную опорную пластину.

3. Снова хорошо затяните винты, чтобы закрепить треугольную/прямоугольную опорную пластину.

### Треугольная опорная пластина

► Рис.19: 1. Винты 2. Треугольная опорная пластина 3. Шлифовальная основа

Шлифовальная бумага может устанавливаться со стороны опорной пластины, как показано на рисунке.

► Рис.20: 1. Шлифовальная бумага 2. Опорная пластина

### Прямоугольная опорная пластина

► Рис.21: 1. Винты 2. Прямоугольная опорная пластина 3. Шлифовальная основа

4. Полностью очистите треугольную/прямоугольную опорную пластину от грязи и посторонних частиц.

5. Прикрепите лист дополнительной шлифовальной бумаги с креплением типа “липучка” к треугольной/прямоугольной опорной пластине, совместив отверстия для всасывания пыли в бумаге с отверстиями в опорной пластине.

### Треугольная опорная пластина

► Рис.22: 1. Шлифовальная бумага 2. Треугольная опорная пластина 3. Отверстия для всасывания пыли

### Прямоугольная опорная пластина

► Рис.23: 1. Шлифовальная бумага 2. Прямоугольная опорная пластина 3. Отверстия для всасывания пыли

6. Чтобы удалить шлифовальную бумагу, сдерите ее, начиная с края.

## Установка и снятие пылесборного мешка

### Дополнительная принадлежность

Наденьте пылесборный мешок на сужающийся пылевывпускной патрубок сзади корпуса двигателя. Вставьте пылевывпускной патрубок до входной канал пылесборного мешка, чтобы мешок не соскользнул в процессе работы.

► Рис.24: 1. Пылевывпускной патрубок 2. Входной канал пылесборного мешка 3. Пылесборный мешок

**ПРИМЕЧАНИЕ:** При переноске инструмента не держитесь за пылесборный мешок. Несоблюдение данного требования может привести к падению и повреждению инструмента.

**ПРИМЕЧАНИЕ:** Чтобы пыль собиралась нормально, опорожняйте пылесборный мешок, когда он заполнится примерно до половины.

Снимите пылесборный мешок с инструмента и затем снимите пылесборный патрубок. Затем осторожно вытряхните пылесборный мешок или постучите по нему, чтобы опустошить его.

► Рис.25: 1. Пылесборный патрубок

## Установка и снятие пылесборного блока

### Дополнительная принадлежность

Наденьте пылесборный блок на сужающийся пылевывпускной патрубок сзади корпуса двигателя. Вставьте входной канал пылесборного мешка до упора в пылесборный патрубок блока, чтобы блок не соскользнул в процессе работы.

► Рис.26: 1. Пылевывпускной патрубок 2. Входной канал пылесборного мешка 3. Пылесборный патрубок 4. Пылесборный блок

**ПРИМЕЧАНИЕ:** При переноске инструмента не держитесь за пылесборный блок. Несоблюдение данного требования может привести к падению и повреждению инструмента.

**ПРИМЕЧАНИЕ:** Чтобы пыль собиралась нормально, опорожняйте пылесборный блок, когда он заполнится примерно до половины.

1. Снимите пылесборный блок с инструмента.
2. Отсоедините пылесборный патрубок от блока, нажав и удерживая фиксирующие защелки с обеих сторон блока.
3. Осторожно вытряхните пылесборный блок или постучите по нему, чтобы опустошить его.

## Замена бумажного фильтра

**ПРИМЕЧАНИЕ:** При сборке компонентов следите за тем, чтобы логотипы на пылесборном блоке, бумажном фильтре и пылесборном патрубке были расположены правильно.

1. Снимите пылесборный блок с инструмента.
2. Отсоедините пылесборный патрубок от блока, нажав и удерживая фиксирующие защелки с обеих сторон блока.  
► **Рис.27:** 1. Пылесборный патрубок  
2. Пылесборный блок 3. Фиксирующая защелка
3. Возьмитесь изнутри за верхний край картонной панели фильтра с отверстием и потяните его вниз, чтобы высвободить внешний верхний край картонной панели из-под верхнего язычка на входной кромке пылесборного блока.
4. Извлеките бумажный фильтр из пылесборного блока, вытянув внешний нижний край картонной панели с отверстием из-за нижнего язычка.  
► **Рис.28:** 1. Бумажный фильтр 2. Картонная панель фильтра с отверстием  
3. Верхний язычок 4. Нижний язычок  
5. Пылесборный блок
5. Замените бумажный фильтр, вставив нижний край картонной панели с отверстием за нижний язычок и вдавив ее верхний край внутрь, пока он не окажется за верхним язычком.  
► **Рис.29:** 1. Бумажный фильтр 2. Картонная панель фильтра с отверстием  
3. Верхний язычок 4. Нижний язычок  
5. Пылесборный блок
6. Установите пылесборный патрубок на место, нажав и удерживая фиксирующие защелки с обеих сторон пылесборного блока.  
► **Рис.30:** 1. Пылесборный патрубок  
2. Пылесборный блок 3. Фиксирующая защелка

## Подключение пылесоса

### Дополнительная принадлежность

Для меньшего засорения рабочей зоны при шлифовании подсоедините к инструменту пылесос Makita. Для соединения используйте либо дополнительный шланг диаметром 28 мм, либо комбинацию из передней насадки 22 и шланга, поставляемого с пылесосом.

- **Рис.31:** 1. Пылевыпускной патрубок 2. Передний патрубок 3. Шланг 4. Пылесос

## ЭКСПЛУАТАЦИЯ

### Шлифование

**▲ВНИМАНИЕ:** Обязательно убедитесь в том, что обрабатываемая деталь прочно закреплена.

**ПРИМЕЧАНИЕ:** Никогда не работайте с инструментом без установленной шлифовальной бумаги. Вы можете серьезно повредить опорную пластину.

**ПРИМЕЧАНИЕ:** Не прилагайте к инструменту чрезмерных усилий. Чрезмерное давление может снизить эффективность шлифовки, повредить шлифовальную бумагу и/или сократить срок службы инструмента.

Держите инструмент крепко. Включите инструмент и подождите, пока он наберет полную скорость. После этого мягко коснитесь инструментом поверхности обрабатываемой детали. Вибрационная шлифмашина обычно используется для удаления только небольшого количества материала за один проход. Так как качество поверхности является более важным, чем количество удаляемого материала, не давите на инструмент слишком сильно. Все время держите основание заподлицо с обрабатываемой деталью.

#### ► Рис.32

При шлифовании с использованием треугольной/прямоугольной опорной пластины шлифовку материала можно производить верхней и нижней стороной опорной пластины. Это удобно при шлифовке таких предметов, как жалюзийные решетки.

#### ► Рис.33

## ОБСЛУЖИВАНИЕ

**▲ВНИМАНИЕ:** Перед проведением проверки или работ по техобслуживанию всегда проверяйте, что инструмент выключен, а блок аккумулятора снят.

**ПРИМЕЧАНИЕ:** Запрещается использовать бензин, растворители, спирт и другие подобные жидкости. Это может привести к обесцвечиванию, деформации и трещинам.

Для обеспечения БЕЗОПАСНОСТИ и НАДЕЖНОСТИ оборудования ремонт, любое другое техобслуживание или регулировку необходимо производить в уполномоченных сервис-центрах Makita или сервис-центрах предприятия с использованием только сменных частей производства Makita.

### После использования

Регулярно протирайте инструмент сухой или слегка смоченной в мыльной воде тканью.

## ДОПОЛНИТЕЛЬНЫЕ ПРИНАДЛЕЖНОСТИ

**⚠ ВНИМАНИЕ:** Данные принадлежности или приспособления рекомендуются для использования с инструментом Makita, указанным в настоящем руководстве. Использование других принадлежностей или приспособлений может привести к получению травмы. Используйте принадлежность или приспособление только по указанному назначению.

Если вам необходимо содействие в получении дополнительной информации по этим принадлежностям, свяжитесь с вашим сервис-центром Makita.

- Шлифовальная бумага (с креплением типа “липучка”)
- Шлифовальная бумага (с зажимом)
- Квадратная опорная пластина (с креплением типа “липучка”)
- Квадратная опорная пластина (с зажимом)
- Прямоугольная опорная пластина
- Треугольная опорная пластина
- Пылесборный мешок
- Пылевой ящик
- Фильтр
- Бумажный фильтр
- Оригинальный аккумулятор и зарядное устройство Makita

**ПРИМЕЧАНИЕ:** Некоторые элементы списка могут входить в комплект инструмента в качестве стандартных приспособлений. Они могут отличаться в зависимости от страны.

**Makita Europe N.V.** Jan-Baptist Vinkstraat 2,  
3070 Kortenberg, Belgium

**Makita Corporation** 3-11-8, Sumiyoshi-cho,  
Anjo, Aichi 446-8502 Japan

[www.makita.com](http://www.makita.com)

885937-985  
EN, SV, NO, FI, DA,  
LV, LT, ET, RU  
20211004